

TRANSFORMERS™



AGES 5+
83649/80402 Ass't.



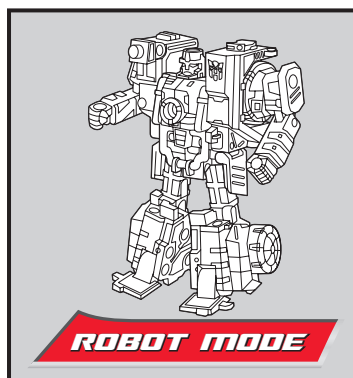
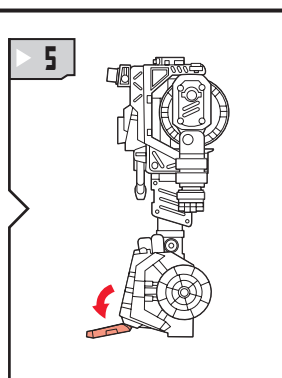
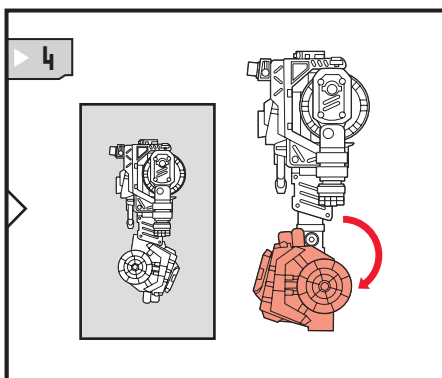
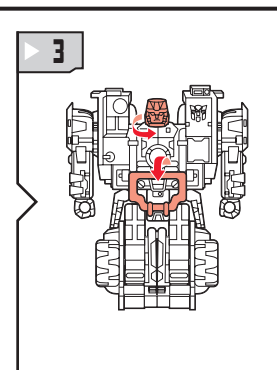
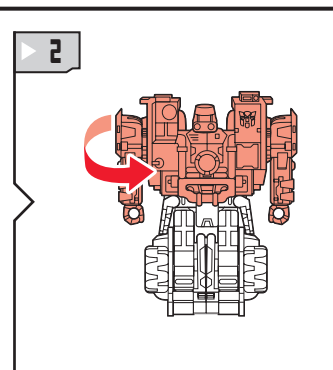
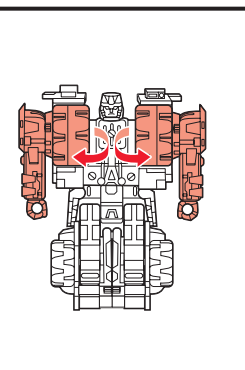
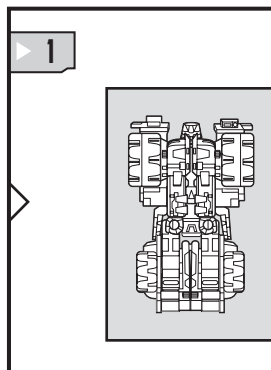
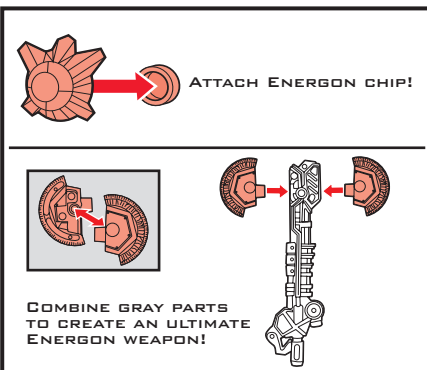
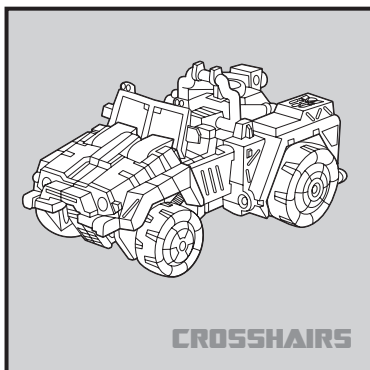
WARNING:

CHOKING HAZARD-Small parts.
Not for children under 3 years.

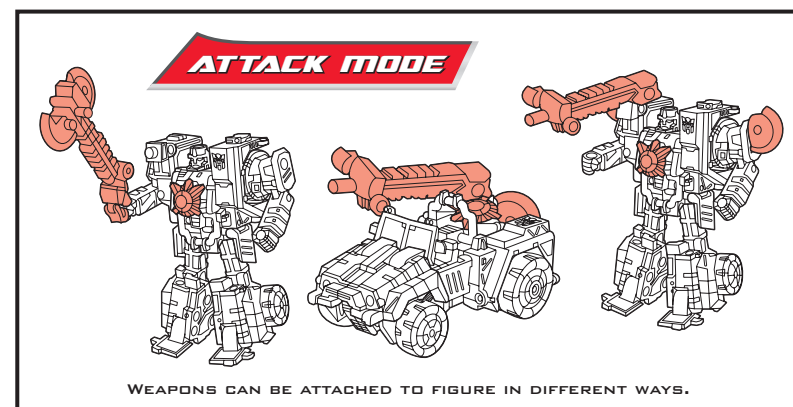
NOTE: Some parts are made to detach if excessive force is applied and are designed to be reattached if separation occurs. Adult supervision may be necessary for younger children.

TRANSFORMERS.COM

CHANGING TO ROBOT



REVERSE ORDER OF INSTRUCTIONS TO CONVERT BACK INTO VEHICLE.



© 2007 DreamWorks LLC and Paramount Pictures Corporation
© 2007 Hasbro. All Rights Reserved.
TM & © denote U.S. Trademarks.
Manufactured under license from Tomly Company, Ltd.

DREAMWORKS
PICTURES



Not suitable for children under 3 years because of small parts - choking hazard.

TRANSFORMERS.COM

P/N 6748280000

Some poses may require hand support.

Free Manuals Download Website

<http://myh66.com>

<http://usermanuals.us>

<http://www.somanuals.com>

<http://www.4manuals.cc>

<http://www.manual-lib.com>

<http://www.404manual.com>

<http://www.luxmanual.com>

<http://aubethermostatmanual.com>

Golf course search by state

<http://golfingnear.com>

Email search by domain

<http://emailbydomain.com>

Auto manuals search

<http://auto.somanuals.com>

TV manuals search

<http://tv.somanuals.com>