

TRANSFORMERS UNIVERSE



WARNING:

CHOKING HAZARD-Small parts.
Not for children under 3 years.

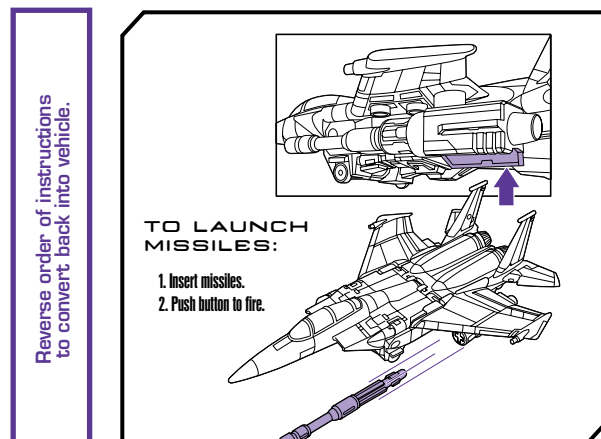
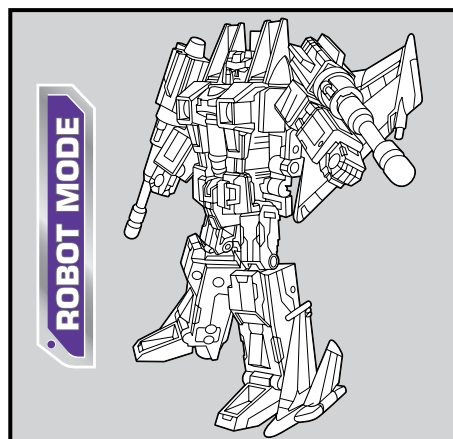
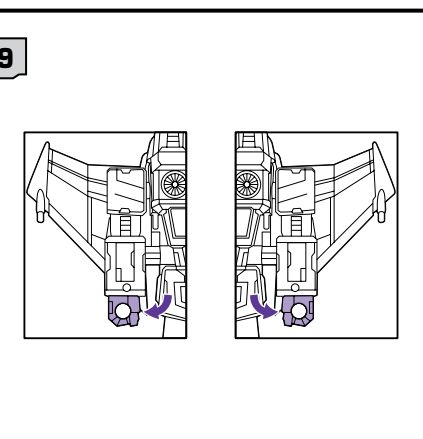
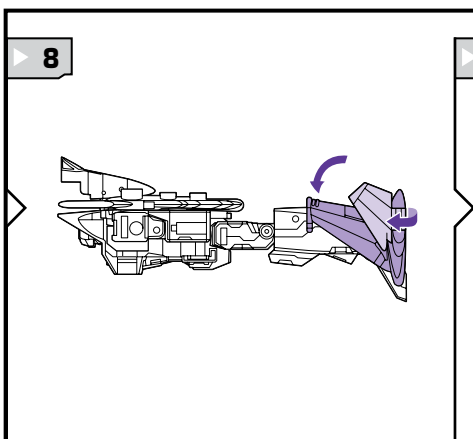
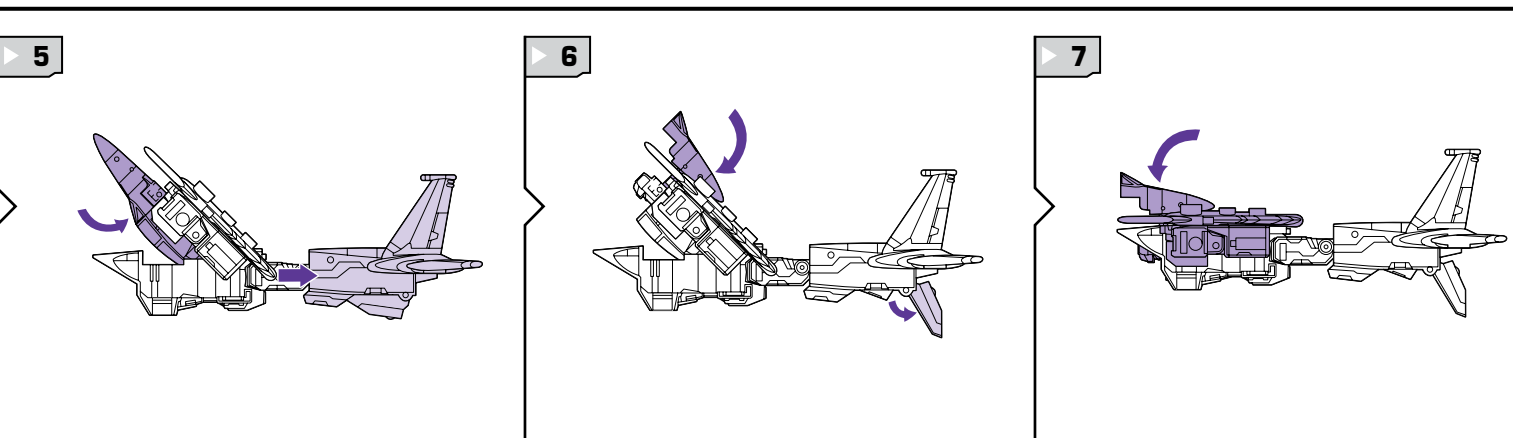
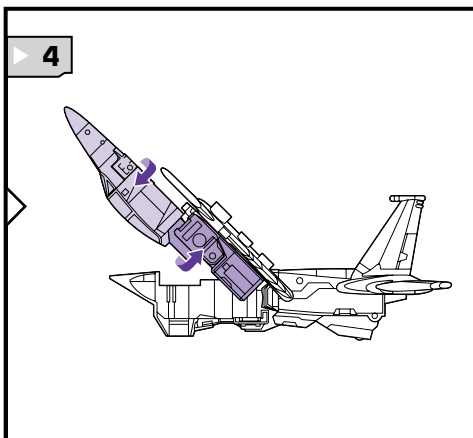
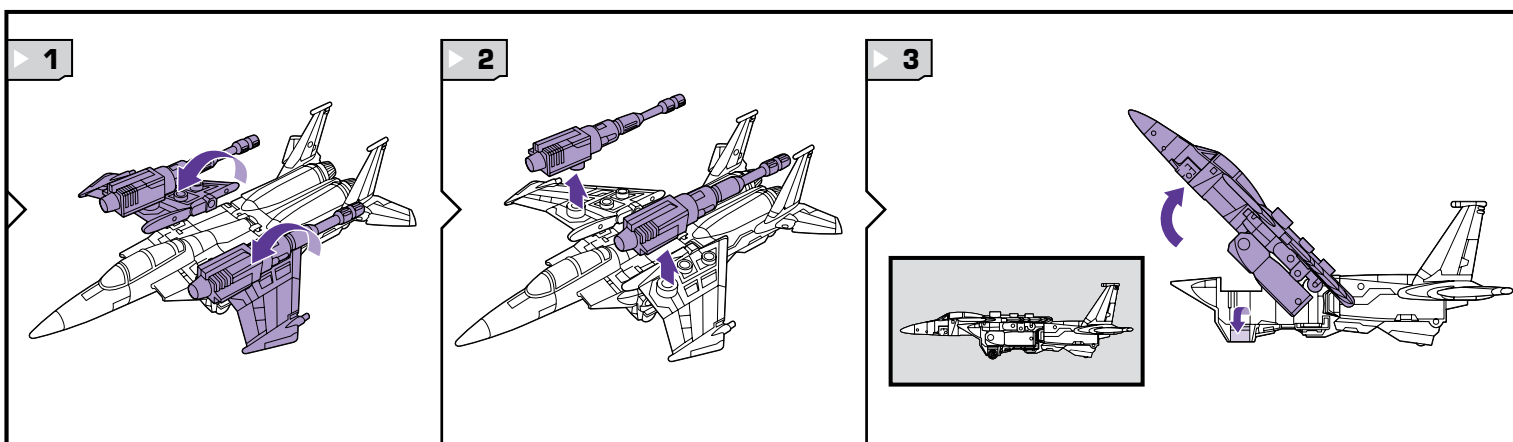
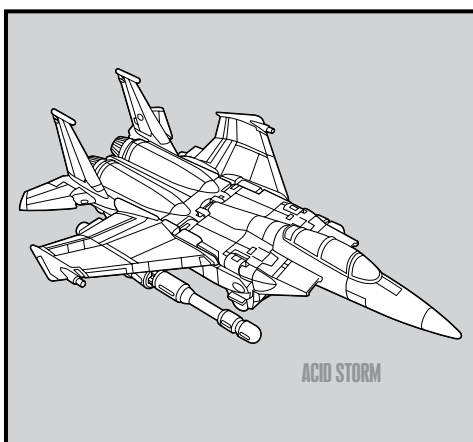
AGES 5+

83792/83665 Asst.

NOTE: Some parts are made to detach if excessive force is applied and are designed to be reattached if separation occurs. Adult supervision may be necessary for younger children.

TRANSFORMERS5.COM

CHANGING TO ROBOT



Reverse order of instructions to convert back into vehicle.



© 2008 Hasbro. All rights reserved.
TM & © denote U.S. trademarks.
Manufactured under license from Tomy Company, Ltd.



Not suitable for children under 3 years because of small parts - choking hazard.

Some poses may require hand support.

Download from www.Somanuals.com. All Manuals Search And Download.

P/N 681056000

Free Manuals Download Website

<http://myh66.com>

<http://usermanuals.us>

<http://www.somanuals.com>

<http://www.4manuals.cc>

<http://www.manual-lib.com>

<http://www.404manual.com>

<http://www.luxmanual.com>

<http://aubethermostatmanual.com>

Golf course search by state

<http://golfingnear.com>

Email search by domain

<http://emailbydomain.com>

Auto manuals search

<http://auto.somanuals.com>

TV manuals search

<http://tv.somanuals.com>