

Owner's Manual

Havis Rugged Mobile Docking Station For Panasonic CF-53 Toughbook

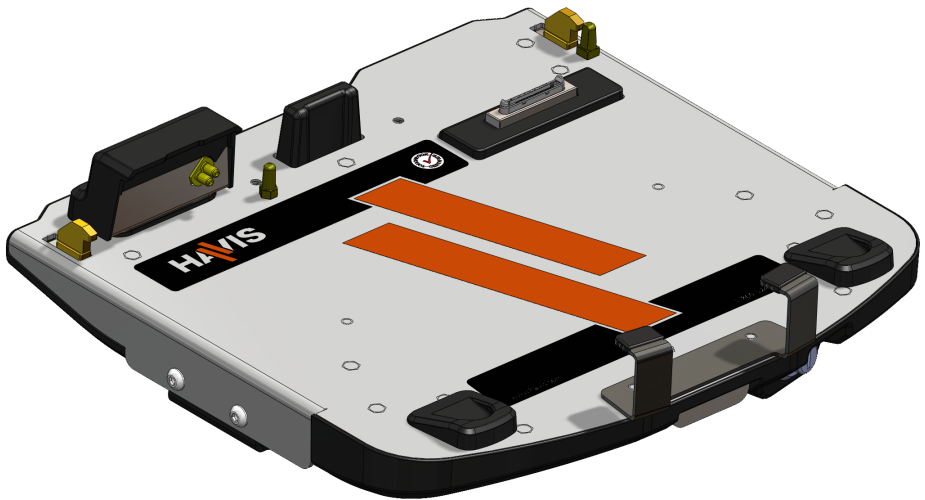
DS-PAN-410 Series

DS-PAN-411
DS-PAN-411-2

DS-PAN-412
DS-PAN-412-2

DS-PAN-413

PKG-DS-PAN-412
PKG-DS-PAN-412-2



Havis is pleased to provide this Owner's Manual to aid in the proper installation and use of the DS-PAN-410 Series Docking Station for the Panasonic CF-53 laptop computer.

For questions regarding the set-up of your DS-PAN-410 Series Docking Station, please contact Havis at 1-800-524-9900 or visit www.havis.com for additional product support and information.

This Owner's Manual applies to the following Part Numbers:

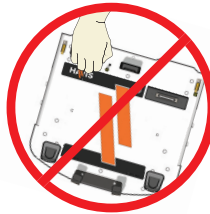
DS-PAN-411	DS-PAN-412	DS-PAN-413	PKG-DS-PAN-412
DS-PAN-411-2	DS-PAN-412-2		PKG-DS-PAN-412-2

⚠ WARNING

- NEVER STOW OR MOUNT THE DOCKING STATION DIRECTLY IN A VEHICLE AIRBAG DEPLOYMENT ZONE.
- DO NOT USE COMPUTER WHILE DRIVING.

⚠ CAUTION

- READ ALL INSTRUCTIONS THOROUGHLY BEFORE BEGINNING INSTALLATION.
- DO NOT CONNECT PERIPHERALS (USB, ETHERNET, POWER IN) SIMULTANEOUSLY TO COMPUTER AND DOCKING STATION WHEN COMPUTER IS DOCKED OR DAMAGE MAY OCCUR.
- ONLY COMPUTERS WITH RF PASS-THRU WILL LATCH INTO DOCKING STATIONS EQUIPPED WITH AN ANTENNA MODULE (DS-PAN-411-2, DS-PAN-412-2, PKG-DS-PAN-412-2). ATTEMPTING TO LATCH A COMPUTER WITH NON-RF PASS-THRU MAY RESULT IN DAMAGE TO THE COMPUTER AND/OR DOCKING STATION.
- THE ANTENNA MODULE IS NOT A HANDLE. DO NOT USE IT TO CONNECT OR ENGAGE THE COMPUTER TO DOCKING STATION. DO NOT USE IT TO CARRY THE DOCKING STATION.



NOTICE

- THE DS-PAN-410 SERIES DOCKING STATIONS ARE DESIGNED EXCLUSIVELY FOR USE WITH PANASONIC CF-53 TOUGHBOOK COMPUTERS ONLY AND ARE NOT BACKWARD COMPATIBLE WITH THE PANASONIC CF-52 COMPUTER
- FOR DOCKING STATION MODELS EQUIPPED WITH AN INTEGRATED POWER SUPPLY (DS-PAN-412, DS-PAN-412-2, PKG-DS-PAN-412, PKG-DS-PAN-412-2), REFER TO THE SUPPLIED LIND POWER SUPPLY REFERENCE GUIDE.

Table of Contents

Specifications	3
Parts Included	4
Port Replication Capability	5
Installation	6
Cable Management	7
Operation - Docking	9
Operation - Undocking	10

Precautions

- Do not place metal objects or containers of liquid on top of the Docking Station
- If a malfunction occurs, immediately unplug the Power Supply and remove the laptop
- Use only the specified Power Supply (*Part # LPS-103*) with this Docking Station
- Do not store the Docking Station where water, moisture, steam, dust, etc. are present
- Do not connect cables into ports other than what they are specified for
- Do not leave the Docking Station in a high temperature environment (greater than 85°C, 185°F) for a long period of time

Specifications

Power Supply Input	15.6V DC-In
Dimensions	12.83" (32.54 cm) W x 13.54" (34.39 cm) D x 3.44" (8.73 cm) H
Weight	6.7 lbs (3.04 kg)
Operating Environment	-20° C to 60° C (-4° F to 140° F)
Storage Environment	-40° C to 85° C (-40° F to 185° F)

DECLARATION OF CONFORMITY FOR CE MARKING

Havis, Inc. declares that their DS-PAN-410 SERIES DOCKING STATIONS:
Are classified within the following EU Directives:
EU Electromagnetic Compatibility Directive 2004/108/EC

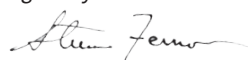
And further conform with the following EU Harmonized Standards:
EN 55022 (2006) + A1 2007, EN 55024: 1998 + A1: 2001 + A2: 2003
EN 50498: 2010

- Clause 7.1 Broadband Radiated Disturbances - Quasi-Peak
- Clause 7.2 Narrowband Radiated Disturbances - Average
- Clause 7.3 Conducted Radiated Disturbances - Severity Level 2

Dated: August 4, 2011

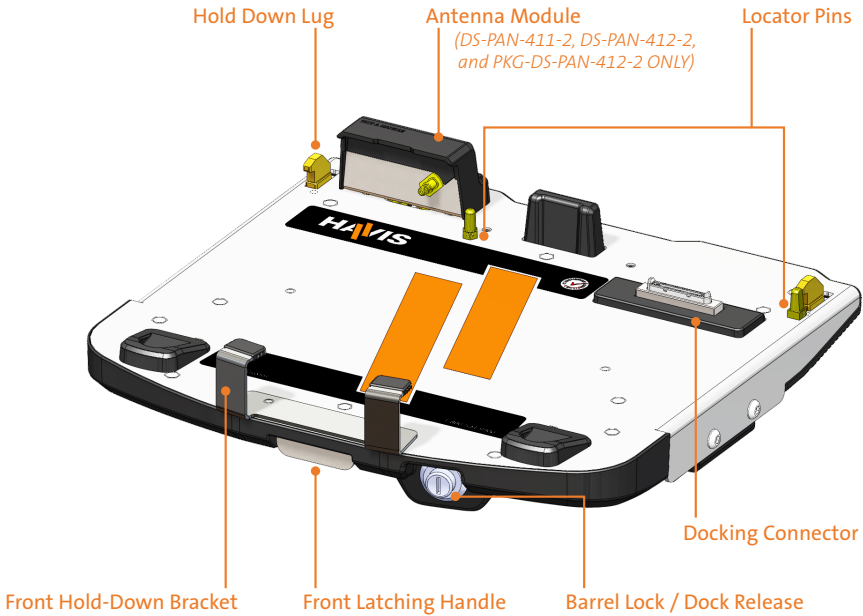
Position of signatory: Chief Information Officer / Chief Financial Officer

Name of signatory: Steve Ferraro

Signed: 

Parts Included

Docking Station



Mounting Bracket

Numerous hole patterns present in Mounting Bracket will accommodate Havis Motion Devices as well as most competitors'



Hardware Kit

This Hardware Kit includes:

1. Zip Ties (5)
2. Keys (2)
3. 1/4"-20 x 5/8" long Button Head Screws (8)



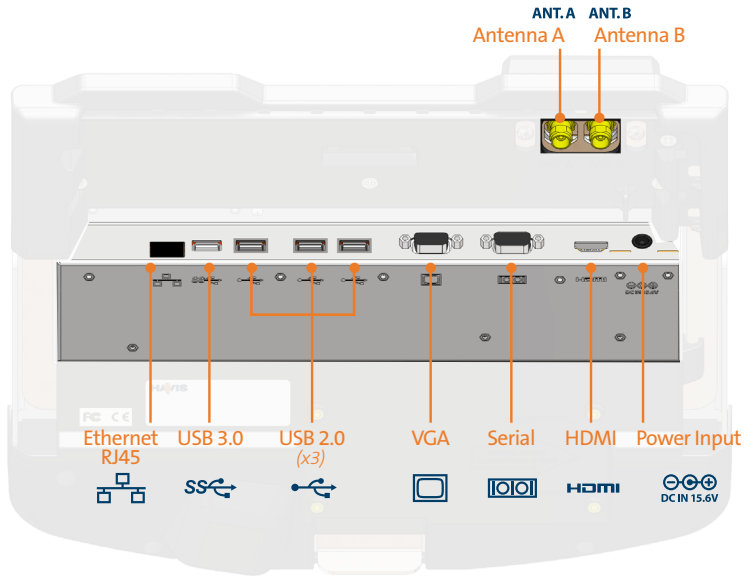
Tools required for installation:

- 5/32" Hex Drive (For attaching Mounting Bracket to Motion Device and Docking Station to Mounting Bracket with Button Head 1/4"-20 Screws)




Port Replication Capability

NOTE: Antennas only available on select Docking Station models
(DS-PAN-411-2, DS-PAN-412-2, PKG-DS-PAN-412-2)



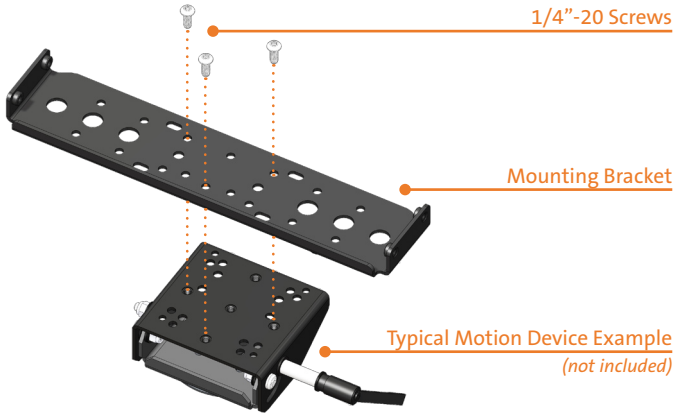
NOTICE

- THIS DOCKING STATION IS EQUIPPED WITH ONE USB 3.0 PORT, INDICATED BY THE FOLLOWING SYMBOL (). USB 2.0 PERIPHERALS WILL OPERATE IN THIS PORT HOWEVER, USB 3.0 PERIPHERALS WILL NOT OPERATE IN ANY OF THE THREE (3) USB 2.0 PORTS

Installation

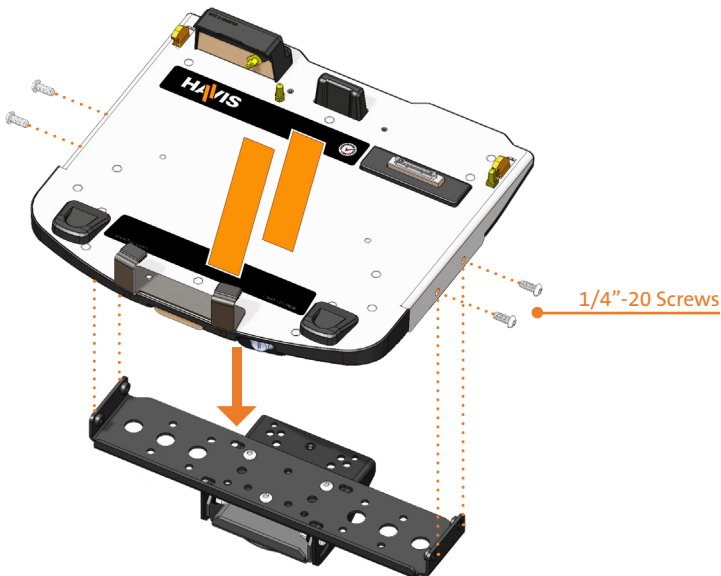
- 1) Remove the Mounting Bracket from the packaging. Install the Mounting Bracket to the Motion Device using (3) 1/4"-20 x 5/8" long screws (Hardware Kit Item 3). Torque screws to 80 in-lbs (9.0Nm) \pm 10%.

NOTE: Numerous hole patterns present in Mounting Bracket will accommodate Havis Motion Devices as well as most competitors'



NOTE: We recommend applying a drop of medium strength (blue) thread locking adhesive to the threads of all fasteners.

- 2) Lower the Docking Station to the Mounting Bracket as shown and secure with (4) 1/4"-20 x 5/8" long screws (Hardware Kit Item 3). Torque screws to 80 in-lbs (9.0 Nm) \pm 10%.

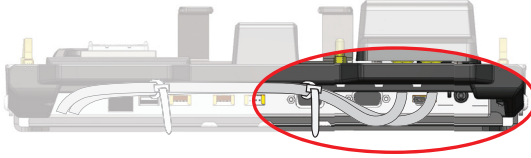


Cable Management

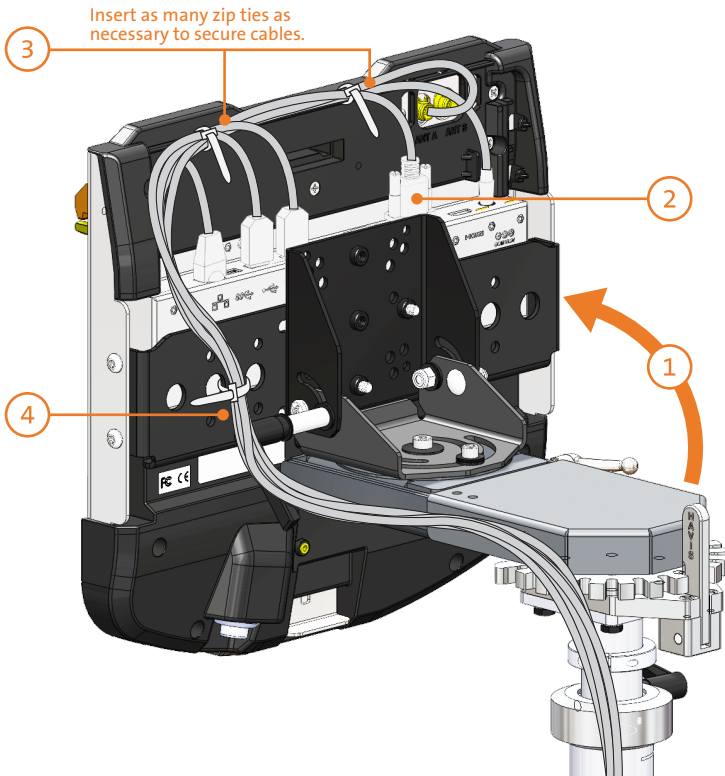
- 1) Tip the Docking Station to a position that is comfortable to work with.
- 2) Install all cables that are necessary for computing needs.
- 3) Use Zip Ties (Hardware Kit Item 1) to strain relieve cables at rear of Docking Station.

CAUTION

IF SECURING EXTERNAL ANTENNAS TO DOCKING STATION (DS-PAN-411-2, DS-PAN-412-2, PKG-DS-PAN-412-2) LEAVE AN ADEQUATE SERVICE LOOP BETWEEN THE ANTENNA CONNECTOR AND THE FIRST ZIP TIE ON THE DOCKING STATION TO ENSURE LATCHING AND UNLATCHING MOTION IS NOT RESTRICTED.



- 4) Gather all cables to one side and tie off to unused holes on underside of Docking Station.



Cable Management (*continued*)

- 5) Create a service loop with cables to ensure that no tension is on the connectors and to enable intended motion.
- 6) Tie off cables onto a stationary part of the mounting system.

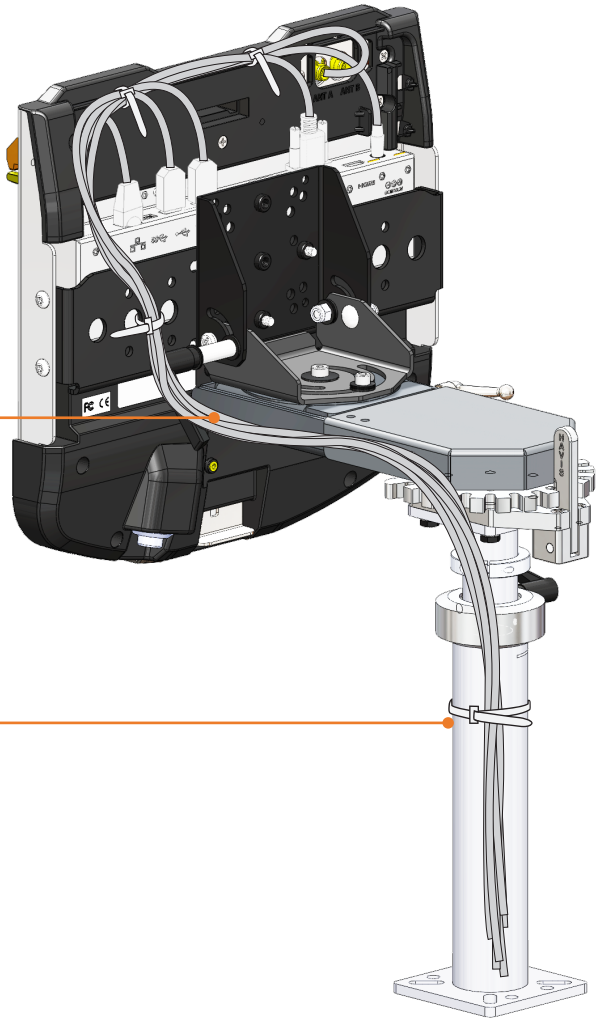
5

This loop must be large enough to allow full range of expected rotation and extension without stressing connections.

6

Collect cables and secure to the mounting system.

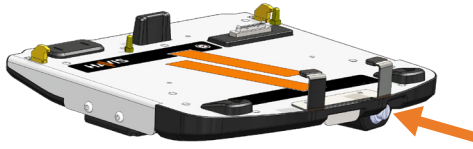
(Note: Mounting system not included)



CAUTION

DO NOT FORCE LAPTOP ONTO DOCKING STATION. IF THERE IS RESISTANCE, CHECK ALIGNMENT OF COMPUTER ON DOCKING STATION.

- 1) Ensure Docking Station is unlatched by depressing button in Barrel Lock.



- 2) With rear of computer elevated, load front of computer into Docking Station ensuring the computer's handle extends under the Front Hold-Down Bracket. Take care to center computer in Docking Station when lowering and ensure alignment of the front feet of computer with the plastic guides on the Docking Station.



- 3) Lower back of computer onto Docking Station, ensuring computer properly aligns with both Locator Pins in Docking Station. With computer seated on Docking Station, apply light downward pressure to the rear of computer and pull the Front Latching Handle forward until latched.



- 4) For theft deterrence, secure computer by locking Docking Station with supplied key (Hardware Kit Item 2).



Operation - Undocking

- 1) If previously locked, unlock Docking Station using supplied key.



- 2) Depress Barrel Lock to unlatch Docking Station from computer.



- 3) Once unlatched grab both sides of computer and carefully lift out of Docking Station, rear end first.



Related Products

Havis offers a wide variety of accessory products specifically for use with the DS-PAN-410 Series Docking Station. For more information or to order, please visit www.havis.com.



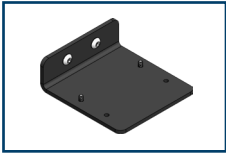
LPS-103 *120W Power Supply*

External power supply and cable for Panasonic CF-53 Toughbooks with cigarette lighter adaptor.



DS-DA-410 *Screen Stiffener*

Secure your laptop screen to prevent excess wear and reduce vibration while in use.



DS-DA-207 *Card Reader Mounting Bracket*

Mount an E-Seek Model 250 card reader to the side of the Docking Station.
(Bracket can be customized for other Card Reader Models)



DS-DA-101 *USB Powered Light*

Soft red LED light illuminates the laptop keyboard for night viewing.

Interactive Online Catalog

Our interactive catalog is an easy-to-use, full color, online version of our printed catalog.

Visit www.haviscatalog.com for direct access to the Interactive Catalog.





Havis, Inc.

75 Jacksonville Road, PO Box 2099
Warminster, PA 18974

47801 Anchor Court
Plymouth, MI 48170

www.havis.com 1-800-524-9900

Free Manuals Download Website

<http://myh66.com>

<http://usermanuals.us>

<http://www.somanuals.com>

<http://www.4manuals.cc>

<http://www.manual-lib.com>

<http://www.404manual.com>

<http://www.luxmanual.com>

<http://aubethermostatmanual.com>

Golf course search by state

<http://golfingnear.com>

Email search by domain

<http://emailbydomain.com>

Auto manuals search

<http://auto.somanuals.com>

TV manuals search

<http://tv.somanuals.com>