

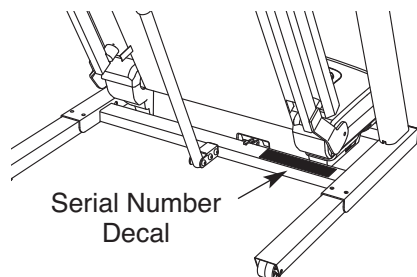
# HEALTHRIDER® H90t

## USER'S MANUAL

Model No. HMTL07508.0

Serial No. \_\_\_\_\_

Write the serial number in the space above for reference.



### QUESTIONS?

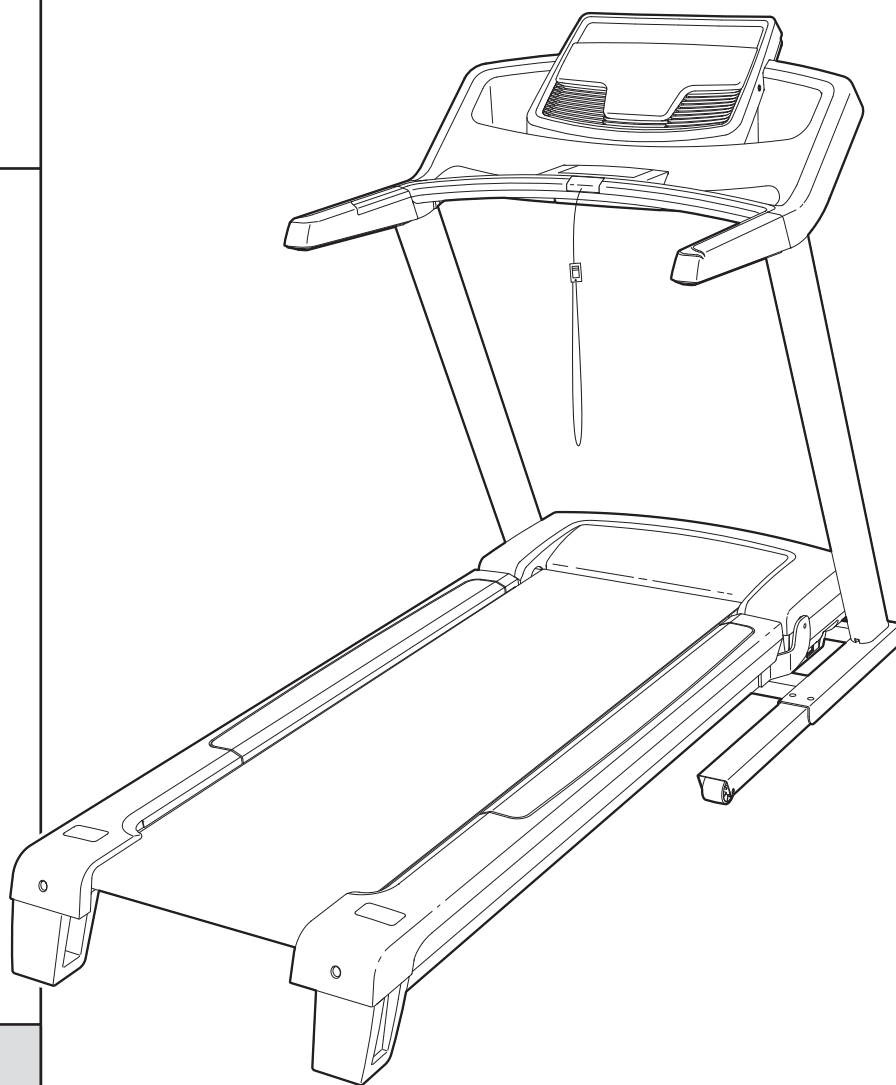
If you have any questions, or if you are missing parts, please call the telephone number listed below:

**Vendor:**

Comercializadora Mexico  
Americana, S. de R.L. de C.V.  
Av. Nextengo No. 78  
Col. Santa Cruz Acayucan  
Del. Azcapotzalco  
Mexico D.F., C.P. 02770  
R.F.C. CMA-910911-9L0  
Tel. 5899 12 00

[www.iconservice.com](http://www.iconservice.com)

**Electrical Specifications:**  
120V ~ 60 Hz Type Y



### CAUTION

Read all precautions and instructions in this manual before using this equipment. Save this manual for future reference.

# TABLE OF CONTENTS

WARNING DECAL PLACEMENT .....2

IMPORTANT PRECAUTIONS .....3

BEFORE YOU BEGIN .....5

ASSEMBLY .....6

OPERATION AND ADJUSTMENT .....14

HOW TO FOLD AND MOVE THE TREADMILL .....23

TROUBLESHOOTING .....25

EXERCISE GUIDELINES .....28

PART LIST .....29

EXPLODED DRAWING .....31

ORDERING REPLACEMENT PARTS .....Back Cover

## WARNING DECAL PLACEMENT

**WARNING:**  
Protect yourself and others from risk of serious injury. Read the user's manual and:

- Stand on the side rails when starting or stopping motion.
- Change speed in small increments. Hold handrails to control speed and safety. Do not use the emergency release.
- Stop if you feel pain, dizziness or shortness of breath.
- Use safety straps to prevent foot slippage.
- Place feet on the handrails to prevent foot slippage.
- Place feet on the handrails to prevent foot slippage.

**ADVERTENCIA:**  
Proteja y proteja a otros de riesgo de lesiones graves. Lea el manual del usuario y:

- Aléjese de la cinta al comenzar a correr.
- Evite cambios bruscos de velocidad.
- Use las manijas para controlar la velocidad.
- Use las manijas para controlar la velocidad.
- Use las manijas para controlar la velocidad.

This drawing shows the locations of the warning decals. **If a decal is missing or illegible, go to [www.iconservice.com](http://www.iconservice.com) and request a free replacement decal. Apply the decal in the location shown.** Note: The decals may not be shown at actual size.

**CAUTION PRECAUCIÓN**  
KEEP HANDS AND FEET AWAY FROM THIS AREA WHILE THE TREADMILL IS IN OPERATION. Mantenga sus manos y pies alejados de esta area mientras la caminadora esté en operación.

# IMPORTANT PRECAUTIONS

**⚠ WARNING:** To reduce the risk of serious injury, read all important precautions and instructions in this manual and all warnings on your treadmill before using your treadmill. ICON assumes no responsibility for personal injury or property damage sustained by or through the use of this product.

1. Before beginning this or any exercise program, consult your physician. This is especially important for persons over age 35 or persons with pre-existing health problems.
2. It is the responsibility of the owner to ensure that all users of this treadmill are adequately informed of all warnings and precautions.
3. Use the treadmill only as described.
4. Place the treadmill on a level surface, with at least 8 ft. (2.4 m) of clearance behind it and 2 ft. (0.6 m) on each side. Do not place the treadmill on any surface that blocks air openings. To protect the floor or carpet from damage, place a mat under the treadmill.
5. Keep the treadmill indoors, away from moisture and dust. Do not put the treadmill in a garage or covered patio, or near water.
6. Do not operate the treadmill where aerosol products are used or where oxygen is being administered.
7. Keep children under age 12 and pets away from the treadmill at all times.
8. The treadmill should be used only by persons weighing 325 lbs. (147 kg) or less.
9. Never allow more than one person on the treadmill at a time.
10. Wear appropriate exercise clothes when using the treadmill. Do not wear loose clothes that could become caught in the treadmill. Athletic support clothes are recommended for both men and women. *Always wear athletic shoes. Never use the treadmill with bare feet, wearing only stockings, or in sandals.*
11. When connecting the power cord (see page 14), plug the power cord into a surge suppressor (not included) and plug the surge suppressor into a grounded circuit capable of carrying 15 or more amps. No other appliance should be on the same circuit. Do not use an extension cord.
12. Use only a single-outlet surge suppressor that meets all of the specifications described on page 14. To purchase a surge suppressor, please see your local electronics store.
13. Failure to use a properly functioning surge suppressor could result in damage to the control system of the treadmill. If the control system is damaged, the walking belt may slow, accelerate, or stop unexpectedly, which may result in a fall and serious injury.
14. Mantenga el cable eléctrico lejos de superficies calientes.
15. Never move the walking belt while the power is turned off. Do not operate the treadmill if the power cord or plug is damaged, or if the treadmill is not working properly. (See TROUBLESHOOTING on page 25 if the treadmill is not working properly.)
16. Read, understand, and test the emergency stop procedure before using the treadmill (see HOW TO TURN ON THE POWER on page 16).
17. Never start the treadmill while you are standing on the walking belt. Always hold the handrails while using the treadmill.

18. The treadmill is capable of high speeds. Adjust the speed in small increments to avoid sudden jumps in speed.
19. The pulse sensor is not a medical device. Various factors, including the user's movement, may affect the accuracy of heart rate readings. The pulse sensor is intended only as an exercise aid in determining heart rate trends in general.
20. Never leave the treadmill unattended while it is running. Always remove the key, unplug the power cord, and switch the reset/off circuit breaker to the "off" position when the treadmill is not in use. (See the drawing on page 5 for the location of the reset/off circuit breaker.)
21. Do not attempt to raise, lower, or move the treadmill until it is properly assembled. (See ASSEMBLY on page 6, and HOW TO FOLD AND MOVE THE TREADMILL on page 23.) You must be able to safely lift 45 lbs. (20 kg) to raise, lower, or move the treadmill.
22. Do not change the incline of the treadmill by placing objects under the treadmill.
23. When folding or moving the treadmill, make sure that the storage latch is holding the frame securely in the storage position.
24. Inspect and properly tighten all parts of the treadmill regularly.
25. Never insert or drop any object into any opening on the treadmill.
26. **DANGER:** Always unplug the power cord immediately after use, before cleaning the treadmill, and before performing the maintenance and adjustment procedures described in this manual. Never remove the motor hood unless instructed to do so by an authorized service representative. Servicing other than the procedures in this manual should be performed by an authorized service representative only.
27. The treadmill is intended for in-home use only. Do not use the treadmill in any commercial, rental, or institutional setting.

**SAVE THESE INSTRUCTIONS**

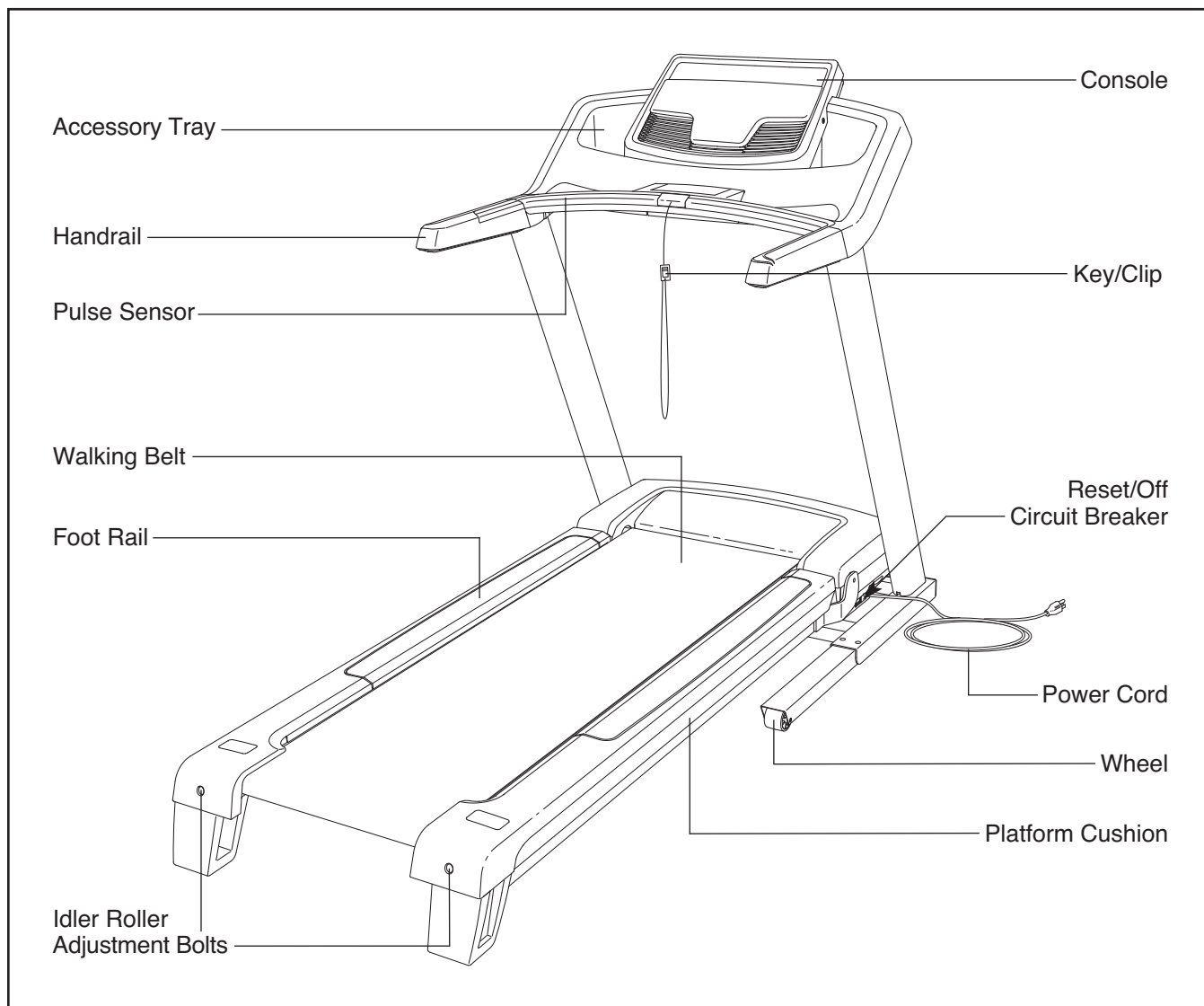
# BEFORE YOU BEGIN

Thank you for selecting the new HealthRider® H90T treadmill. The H90T treadmill offers a selection of features designed to make your workouts at home more effective. And when you're not exercising, the unique treadmill can be folded up, requiring less than half the floor space of other treadmills.

**For your benefit, read this manual carefully before using the treadmill.** If you have questions after read-

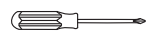

ing this manual, please see the front cover of this manual. To help us assist you, note the product model number and serial number before contacting us. The model number and the location of the serial number decal are shown on the front cover of this manual.

Before reading further, please look at the drawing below and familiarize yourself with the labeled parts.

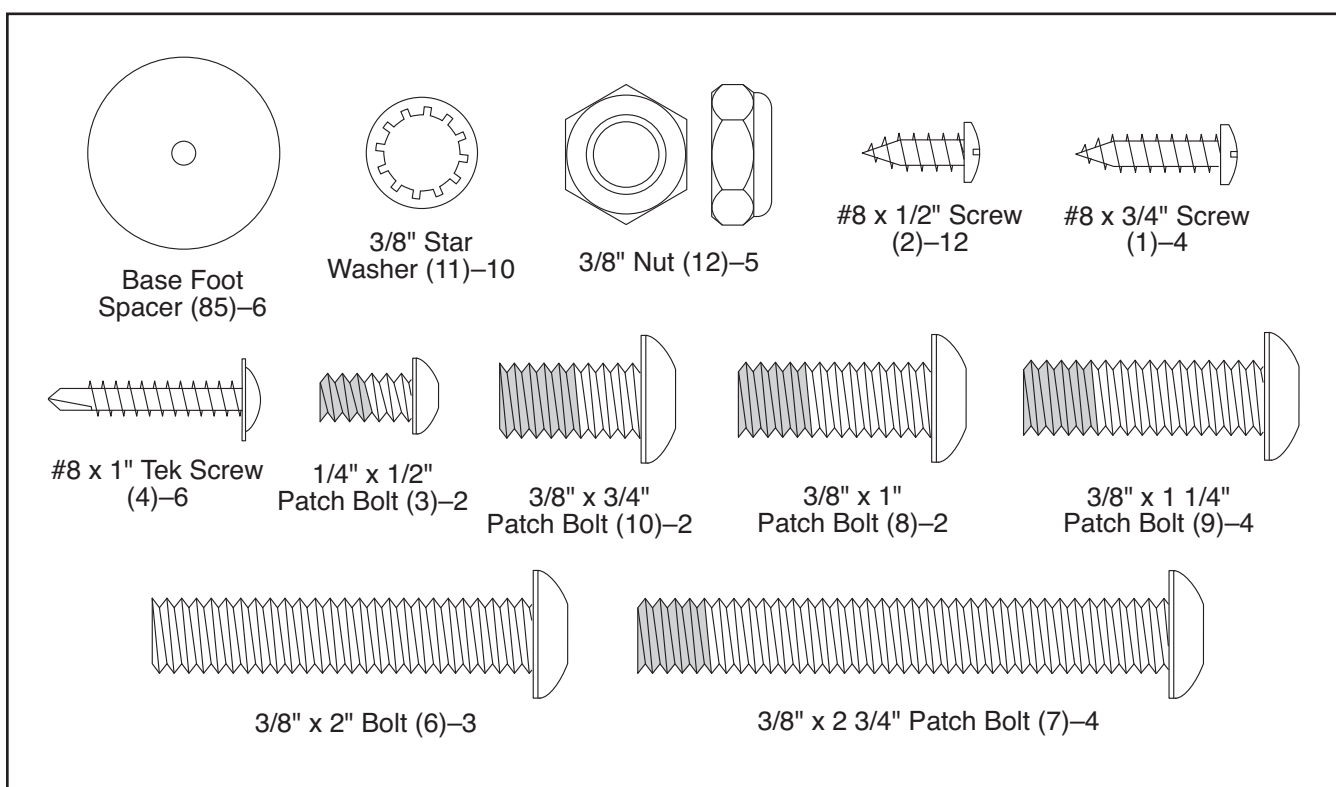


# MONTAJE

**Assembly requires two persons.** Set the treadmill in a cleared area and remove all packing materials. **Do not dispose of the packing materials until assembly is completed.** Note: The underside of the treadmill walking belt is coated with high-performance lubricant. During shipping, some lubricant may be transferred to the top of the walking belt or the shipping carton. This is normal and does not affect treadmill performance. If there is lubricant on top of the walking belt, simply wipe off the lubricant with a soft cloth and a mild, non-abrasive cleaner.

**Assembly requires the included hex keys  and your own Phillips screwdriver  and adjustable wrench .**

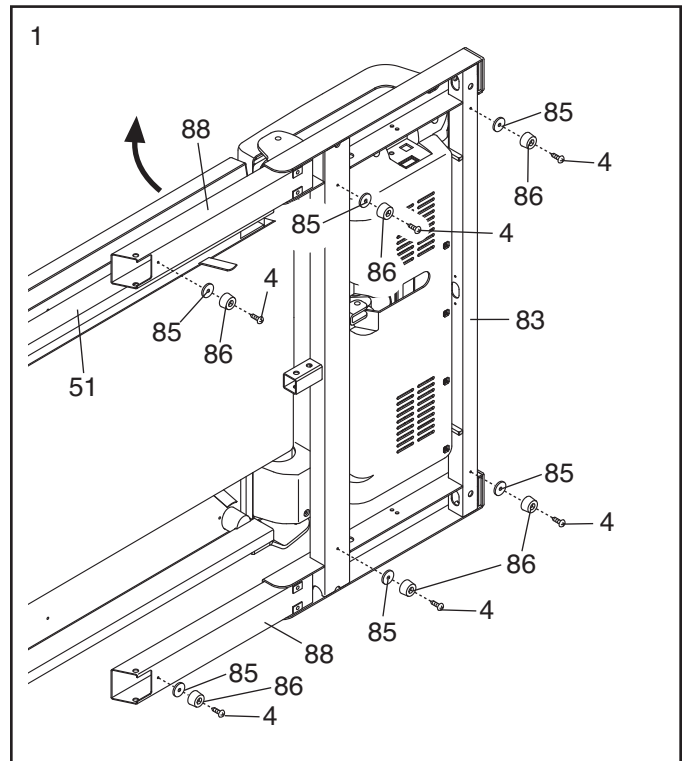
Use the drawings below to identify the assembly hardware. The number in parentheses below each drawing is the key number of the part, from the PART LIST near the end of this manual. The number after the parentheses is the quantity needed for assembly. **Note: If a part is not in the hardware kit, check to see if it is preattached to one of the parts to be assembled. To avoid damaging plastic parts, do not use power tools for assembly. Extra hardware may be included.**



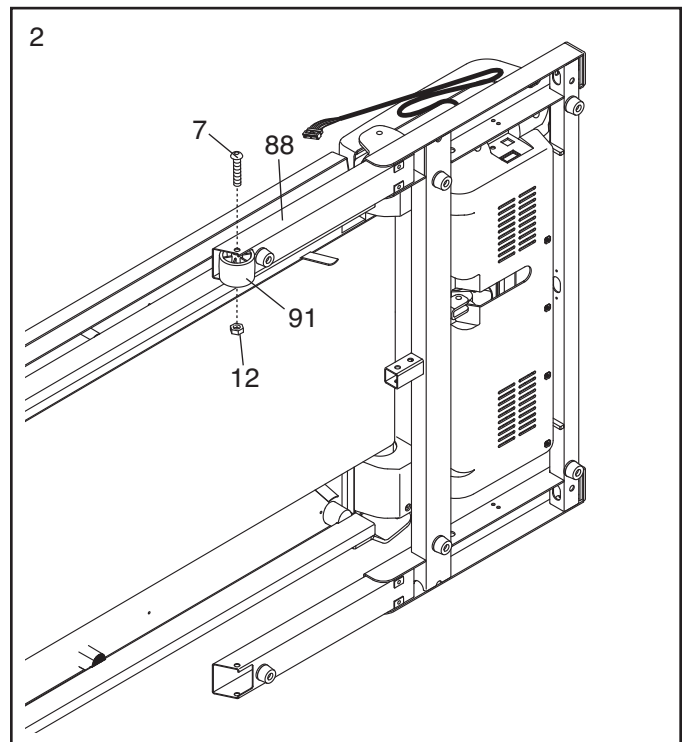
1. **Make sure that the power cord is unplugged.**

With the help of a second person, carefully tip the treadmill onto its left side. Partially fold the Frame (51) so the treadmill is more stable. **Do not fully fold the Frame until the treadmill is completely assembled.**

Attach six Base Feet (86) and six Base Foot Spacers (85) to the Base (83) and Extension Legs (88) in the locations shown with six #8 x 1" Tek Screws (4); **do not overtighten the Tek Screws.**

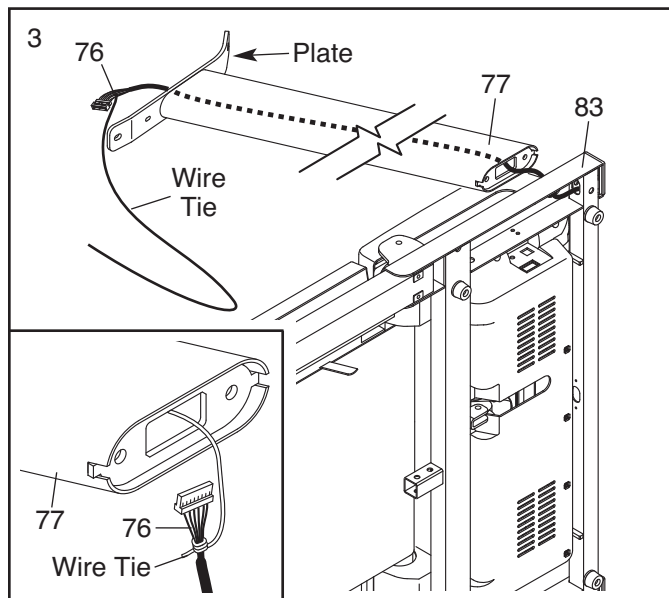


2. Attach a Wheel (91) to the indicated Extension Leg (88) with a 3/8" x 2 3/4" Patch Bolt (7) and a 3/8" Nut (12). **Do not overtighten the Nut; the Wheel must turn freely.**

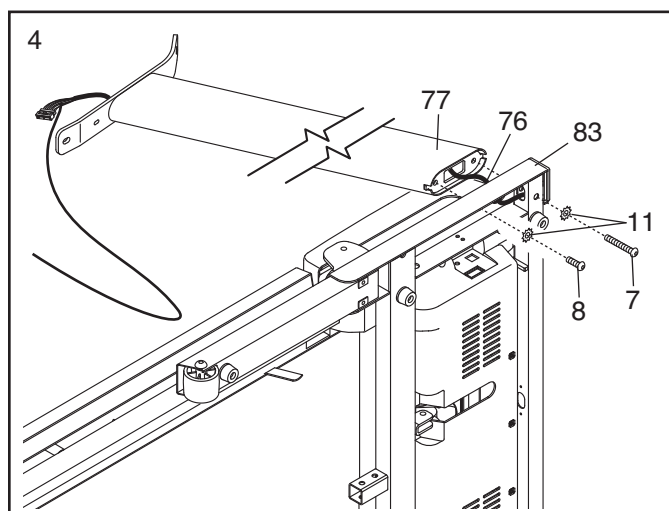


- Identify the right Upright (77), which is marked with a sticker. Have a second person hold the right Upright near Base (83). Orient the right Upright so that the bend in the plate is in the position shown.

**See the inset drawing.** Tie the wire tie in the right Upright (77) securely around the end of the Upright Wire (76). Then, pull the other end of the wire tie until the Upright Wire is routed completely through the right Upright.



- Attach the right Upright (77) to the Base (83) with a 3/8" x 2 3/4" Patch Bolt (7), a 3/8" x 1" Patch Bolt (8), and two 3/8" Star Washers (11); **do not fully tighten the Patch Bolts yet. Be careful not to pinch the Upright Wire (76).**



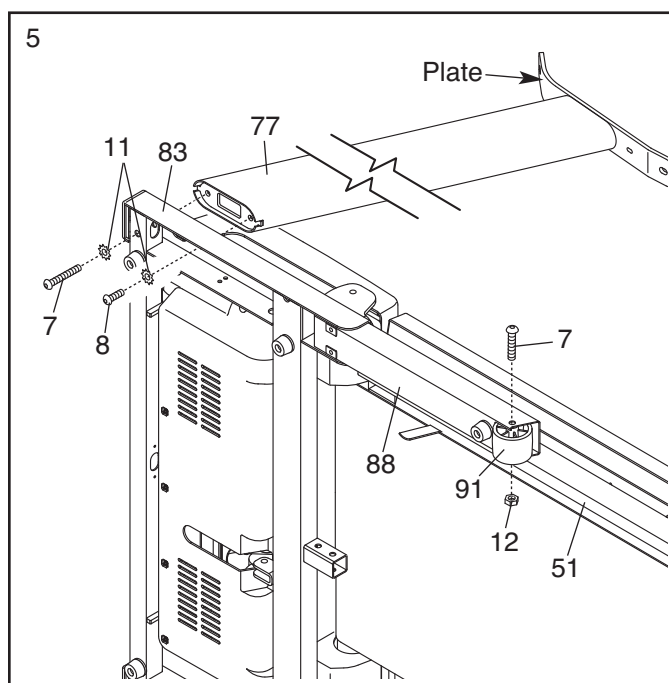
- With the help of a second person, carefully tip the treadmill onto its right side. Partially fold the Frame (51) so the treadmill is more stable. **Do not fully fold the Frame until the treadmill is completely assembled.**

Orient the left Upright (77) so that the bend in the plate is in the position shown.

Attach the left Upright (77) to the Base (83) with a 3/8" x 2 3/4" Patch Bolt (7), a 3/8" x 1" Patch Bolt (8), and two 3/8" Star Washers (11); **do not fully tighten the Patch Bolts yet.**

Attach a Wheel (91) to the indicated Extension Leg (88) with a 3/8" x 2 3/4" Patch Bolt (7) and a 3/8" Nut (12). **Do not overtighten the Nut; the Wheel must turn freely.**

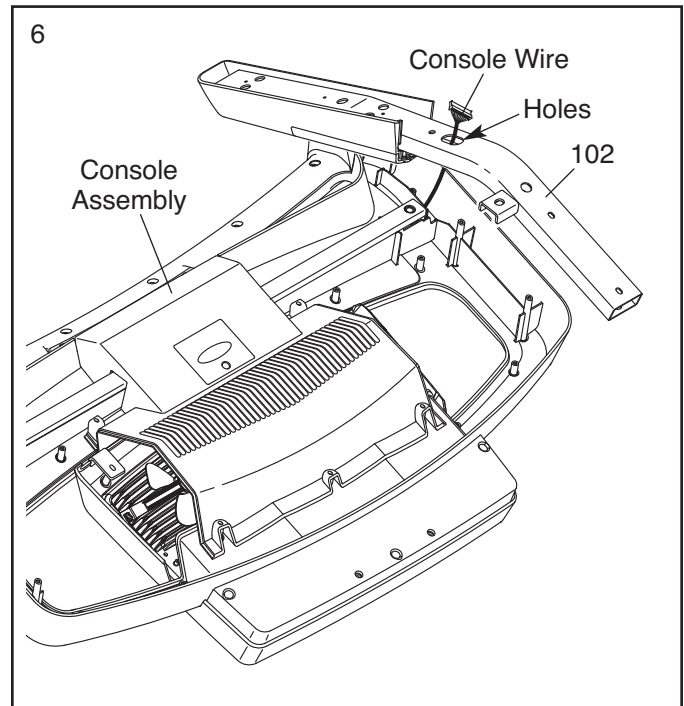
With the help of a second person, tip the treadmill so that the Base (83) is flat on the floor.



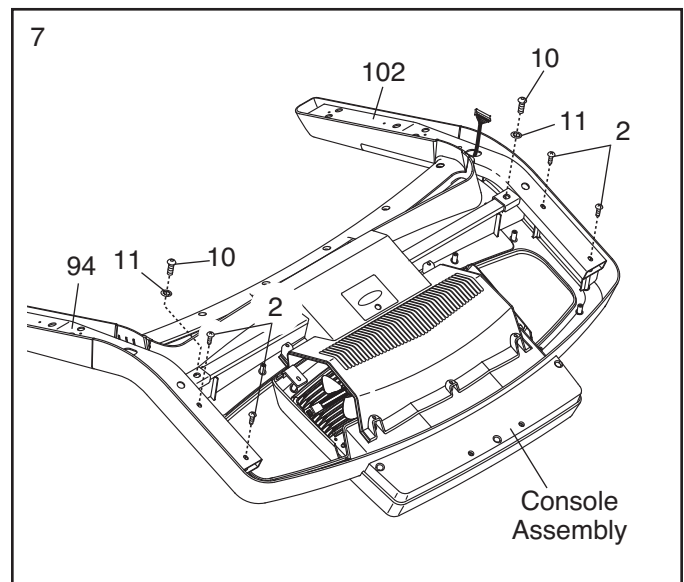


6. Set the console assembly face down on a soft surface to avoid scratching the console assembly. Identify the Right Handrail (102), which is marked with a sticker. Hold the Right Handrail near the console assembly.

Next, insert the console wire through the holes in the Right Handrail (102) as shown.



7. Attach the Left Handrail (94) and the Right Handrail (102) to the console assembly with four #8 x 1/2" Screws (2), two 3/8" x 3/4" Patch Bolts (10), and two 3/8" Star Washers (11). **Do not fully tighten the Screws or Patch Bolts yet.**

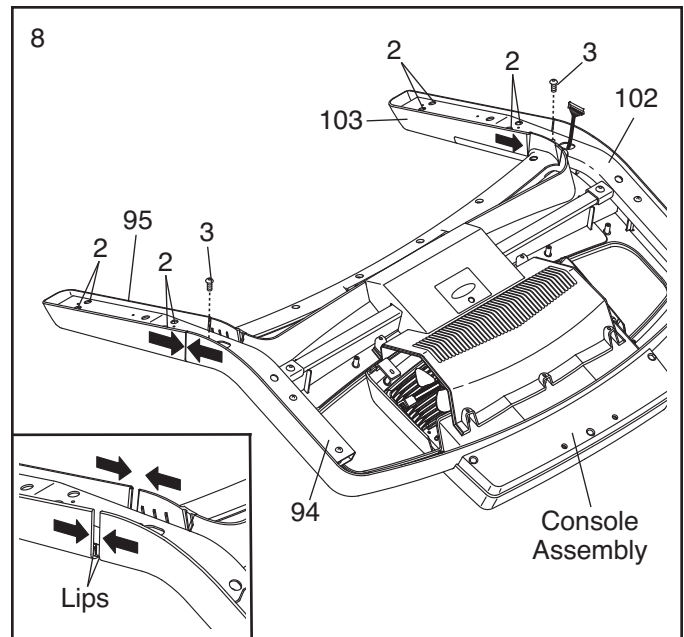


8. Press the Left Handrail Cover (95) against the console assembly. **See the inset drawing.** Align the lip on the Left Handrail Cover with the lip on the console assembly. Leave a small gap between the Left Handrail Cover and the console assembly. Then, fully tighten the four #8 x 1/2" Screws (2) in the Left Handrail (94). Note: The Screws are preattached.

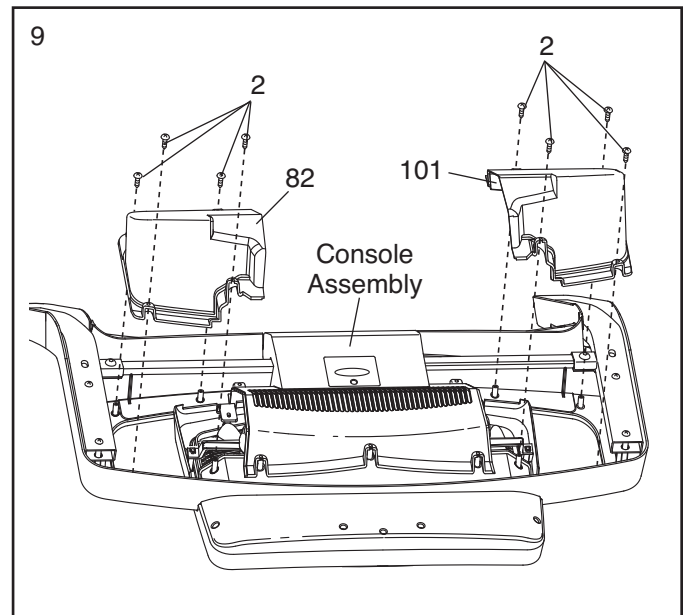
**Repeat this step with the Right Handrail Cover (103).**

Tighten two 1/4" x 1/2" Patch Bolts (3) into the Handrails (94, 102) and the console assembly.

**See step 7.** Fully tighten the four #8 x 1/2" Screws (2) and the two 3/8" x 3/4" Patch Bolts (10).



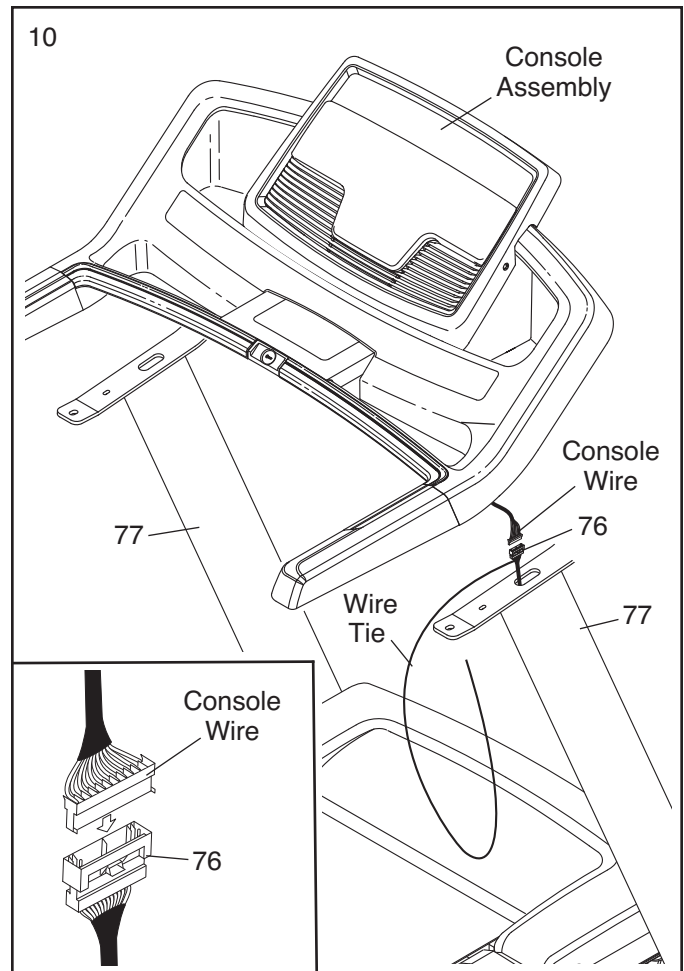
9. Identify the Left Accessory Tray (82) and the Right Accessory Tray (101). Attach the Left Accessory Tray and the Right Accessory Tray to the console assembly with eight #8 x 1/2" Screws (2).



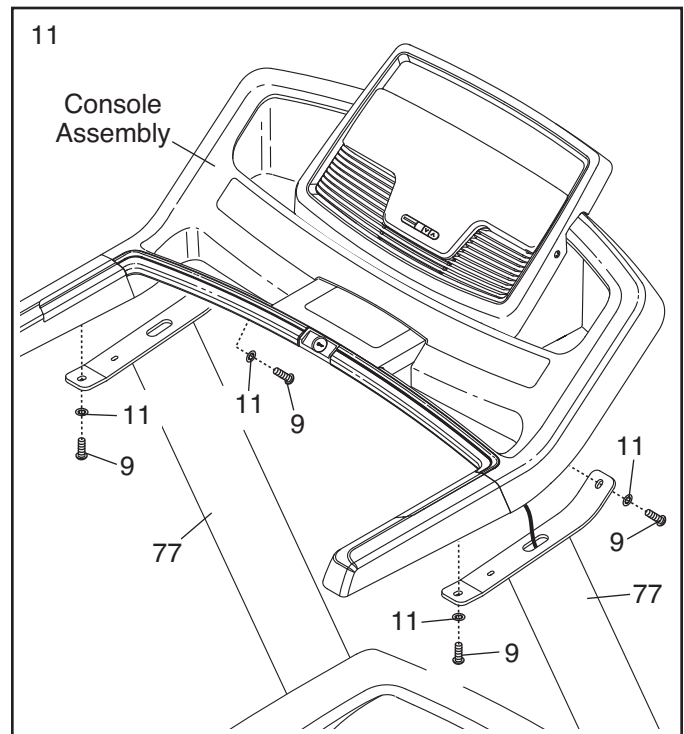
10. With the help of a second person, hold the console assembly near the Uprights (77).

Connect the Upright Wire (76) to the console wire extending from the console assembly. **See the inset drawing. The connectors should slide together easily and snap into place. If they do not, turn one connector and try again. IF THE CONNECTORS ARE NOT CONNECTED PROPERLY, THE CONSOLE MAY BE DAMAGED WHEN THE POWER IS TURNED ON.**

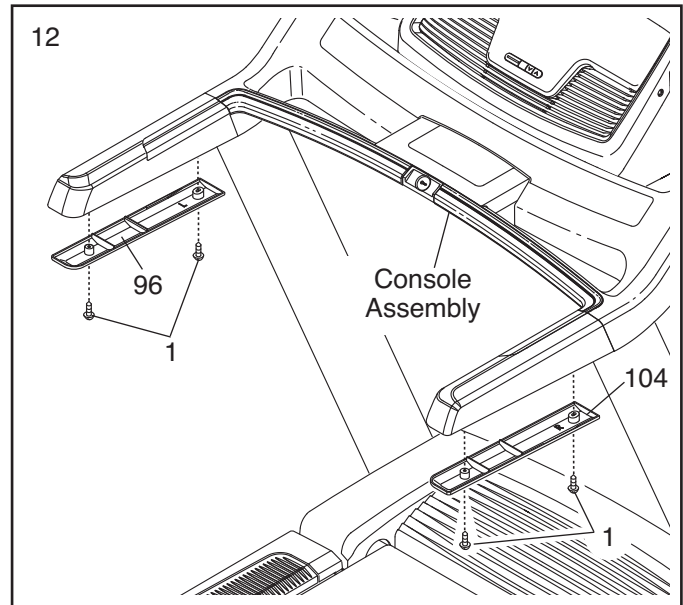
Remove the wire tie from the Upright Wire (76). Insert the excess wire into the right Upright (77) as you set the console assembly on the Uprights. **Be careful not to pinch any wires.**



11. Attach the console assembly to the Uprights (77) with four 3/8" x 1 1/4" Patch Bolts (9) and four 3/8" Star Washers (11). **Start all four Patch Bolts before tightening any of them.**



12. Attach the Right Bottom Handrail Cover (104) and the Left Bottom Handrail Cover (96) to the console assembly with four #8 x 3/4" Screws (1).



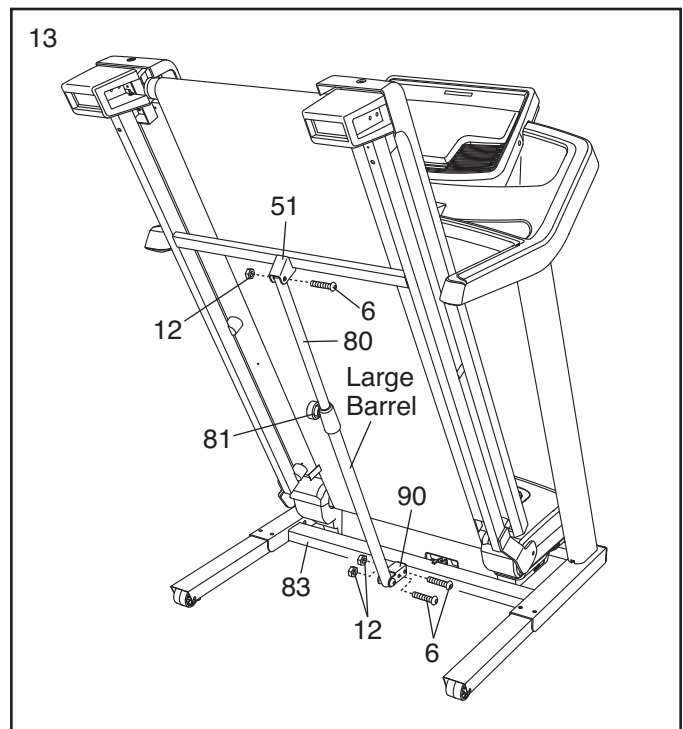
13. Raise the Frame (51) to the position shown. **Have a second person hold the Frame until this step is completed.**

Orient the Storage Latch (80) so that the large barrel and the Latch Knob (81) are oriented as shown.

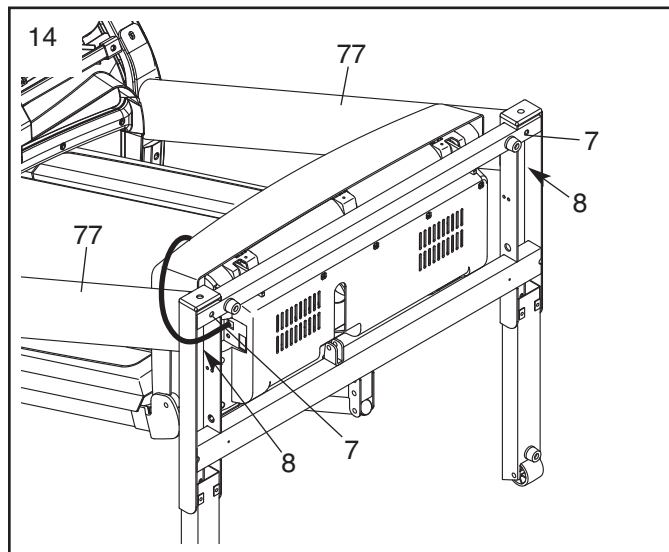
Attach the Latch Bracket (90) and Storage Latch (80) to the Base (83) with two 3/8" x 2" Bolts (6) and two 3/8" Nuts (12).

Attach the upper end of the Storage Latch (80) to the bracket on the Frame (51) with a 3/8" x 2" Bolt (6) and a 3/8" Nut (12). Note: It may be necessary to move the Frame back and forth to align the Storage Latch with the bracket.

Lower the Frame (51) (see HOW TO LOWER THE TREADMILL FOR USE on page 24).



14. With the help of a second person, carefully lower the Uprights (77). Firmly tighten the two 3/8" x 2 3/4" Patch Bolts (7) and the two 3/8" x 1" Patch Bolts (8). Then, raise the Uprights to the vertical position.



15. **Make sure that all parts are properly tightened before you use the treadmill.** Keep the included hex keys in a secure place; one of the hex keys is used to adjust the walking belt (see pages 26 and 27). **To protect the floor or carpet from damage, place a mat under the treadmill.**

# OPERATION AND ADJUSTMENT

## THE PRE-LUBRICATED WALKING BELT

Your treadmill features a walking belt coated with high-performance lubricant. **IMPORTANT: Never apply silicone spray or other substances to the walking belt or the walking platform. Such substances will deteriorate the walking belt and cause excessive wear.**

## HOW TO PLUG IN THE POWER CORD

**⚠ DANGER:** Improper connection of the equipment-grounding conductor can result in an increased risk of electric shock. Check with a qualified electrician or serviceman if you are in doubt as to whether the product is properly grounded. Do not modify the plug provided with the product—if it will not fit the outlet, have a proper outlet installed by a qualified electrician.

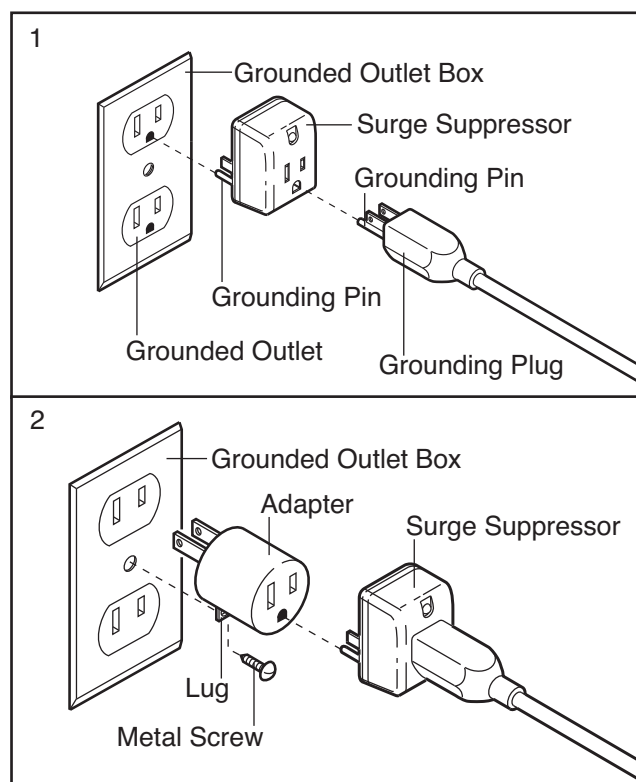
Your treadmill, like any other type of sophisticated electronic equipment, can be seriously damaged by sudden voltage changes in your home's power. Voltage surges, spikes, and noise interference can result from weather conditions or from other appliances being turned on or off. **To decrease the possibility of your treadmill being damaged, always use a surge suppressor with your treadmill (see drawing 1 at the right).** To purchase a surge suppressor, please see your local electronics store.

Use only a single-outlet surge suppressor that is UL 1449 listed as a transient voltage surge suppressor (TVSS). The surge suppressor must have a UL suppressed voltage rating of 400 volts or less and a minimum surge dissipation of 450 joules. The surge suppressor must be electrically rated for 120 volts AC and 15 amps. There must be a monitoring light on the surge suppressor to indicate whether it is functioning properly. Failure to use a properly functioning surge suppressor could result in damage to the control system of the treadmill. If the control system is damaged, the walking belt may slow, accelerate, or stop unexpectedly, which may result in a fall and serious injury.

**This product must be grounded.** If it should malfunction or break down, grounding provides a path of least resistance for electric current to reduce the risk of electric shock. This product is equipped with a cord having

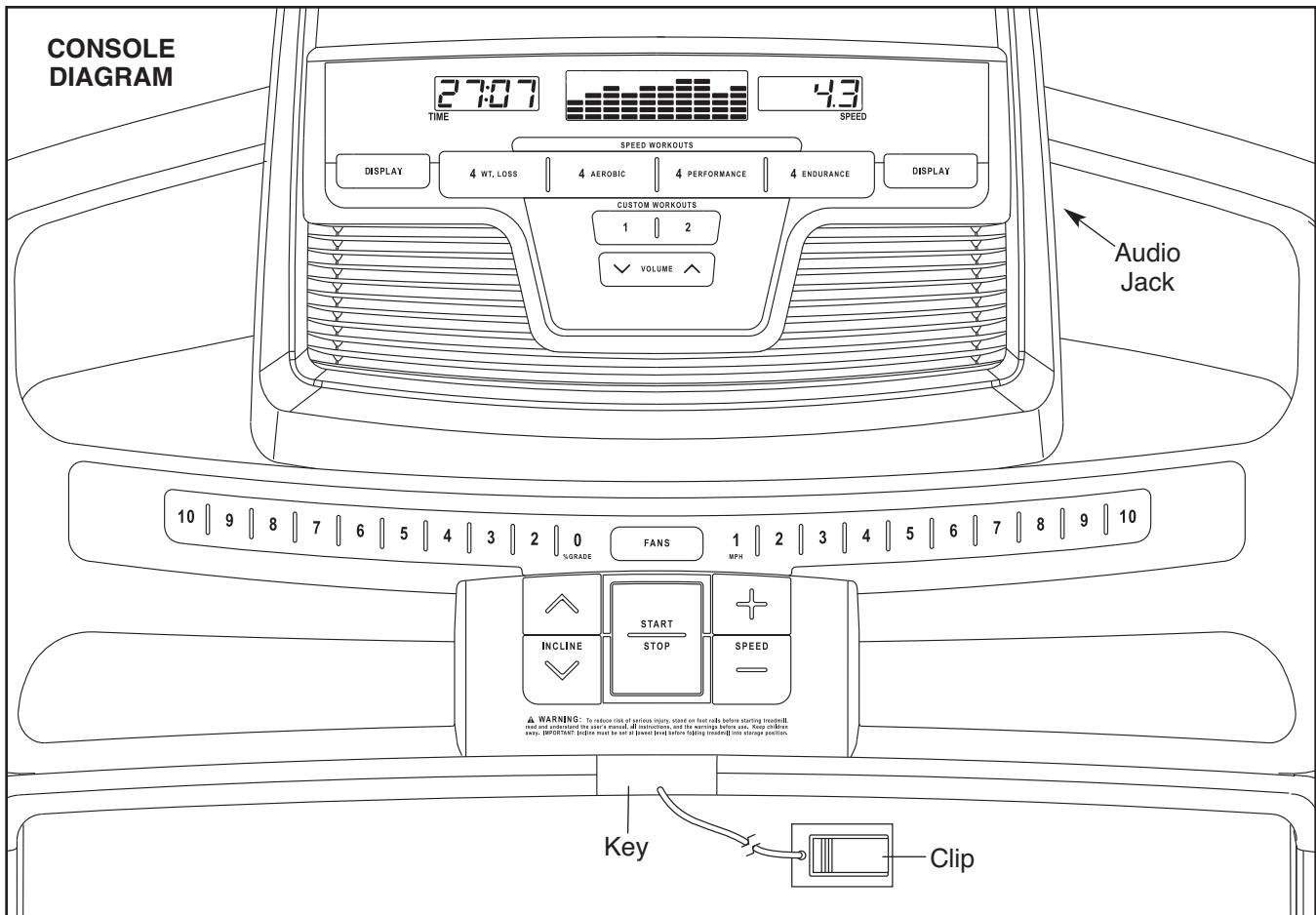
an equipment-grounding conductor and a grounding plug. **Plug the power cord into a surge suppressor, and plug the surge suppressor into an appropriate outlet that is properly installed and grounded in accordance with all local codes and ordinances. IMPORTANT: The treadmill is not compatible with GFCI-equipped outlets.**

This product is for use on a nominal 120-volt circuit, and has a grounding plug that looks like the plug illustrated in drawing 1 below. A temporary adapter that looks like the adapter illustrated in drawing 2 may be used to connect the surge suppressor to a 2-pole receptacle as shown in drawing 2 if a properly grounded outlet is not available.



The temporary adapter should be used only until a properly grounded outlet (drawing 1) can be installed by a qualified electrician.

The green-colored rigid ear, lug, or the like extending from the adapter must be connected to a permanent ground such as a properly grounded outlet box cover. Whenever the adapter is used it must be held in place by a metal screw. **Some 2-pole receptacle outlet box covers are not grounded. Contact a qualified electrician to determine if the outlet box cover is grounded before using an adapter.**



## FEATURES OF THE CONSOLE

The treadmill console offers an impressive selection of features designed to make your workouts more effective and enjoyable. When the manual mode of the console is selected, the speed and incline of the treadmill can be changed with the touch of a button. As you exercise, the console will display continuous exercise feedback. You can even measure your heart rate using the handgrip pulse sensor.

In addition, the console features sixteen preset workouts. Each workout automatically controls the speed and incline of the treadmill as it guides you through an effective exercise session. You can even create your own custom workouts and save them for future use.

You can also listen to your favorite workout music or audio books with the console's premium stereo sound system.

**To turn on the power**, see page 16. **To use the manual mode**, see page 16. **To use a preset workout**, see page 19. **To create and use a custom workout**, see pages 20 and 21. **To use the information mode**, see page 22. **To use the stereo sound system**, see page 22.

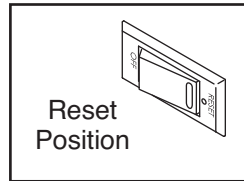
**IMPORTANT:** If there is a sheet of clear plastic on the face of the console, remove the plastic. To prevent damage to the walking platform, wear clean athletic shoes while using the treadmill. The first time the treadmill is used, observe the alignment of the walking belt, and center the walking belt if necessary (see page 27).

Note: The console can display speed and distance in either miles or kilometers. To find out which unit of measurement is selected or to change the unit of measurement, see THE INFORMATION MODE on page 22. For simplicity, all instructions in this section refer to miles.

## HOW TO TURN ON THE POWER

**IMPORTANT:** If the treadmill has been exposed to cold temperatures, allow it to warm to room temperature before turning on the power. If you do not do this, you may damage the console displays or other electrical components.

Plug in the power cord (see page 14). Next, locate the reset/off circuit breaker on the treadmill frame near the power cord. Make sure that the circuit breaker is in the “reset” position.



**IMPORTANT:** The console features a display demo mode, designed to be used if the treadmill is displayed in a store. If the displays light as soon as you plug in the power cord and switch the reset/off circuit breaker to the reset position, the demo mode is turned on. To turn off the demo mode, hold down the Stop button for a few seconds. If the displays remain lit, see THE INFORMATION MODE on page 22 to turn off the demo mode.

Next, stand on the foot rails of the treadmill. Locate the clip attached to the key (see the drawing on page 15), and slide the clip securely onto the waistband of your clothes. Then, insert the key into the console. After a moment, the displays will light. **IMPORTANT:** In an emergency situation, the key can be pulled from the console, causing the walking belt to slow to a stop. Test the clip by carefully taking a few steps backward; if the key is not pulled from the console, adjust the position of the clip.

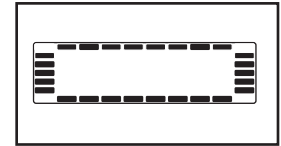
## HOW TO USE THE MANUAL MODE

### 1. Insert the key into the console.

See HOW TO TURN ON THE POWER at the left.

### 2. Select the manual mode.

Each time the key is inserted, the manual mode will be selected. If you have selected a workout, press any of the workout buttons repeatedly until a track appears in the matrix.



### 3. Start the walking belt and adjust the speed.

To start the walking belt, press the Start button, the Speed increase button, or one of the speed buttons numbered 1 to 10.

If you press the Start button or the Speed increase button, the walking belt will begin to move at 1 mph. As you exercise, change the speed of the walking belt as desired by pressing the Speed increase and decrease buttons. Each time you press a button, the speed setting will change by 0.1 mph; if you hold down the button, the speed setting will change in increments of 0.5 mph. If you press one of the numbered speed buttons, the walking belt will gradually change speed until it reaches the selected speed setting.

To stop the walking belt, press the Stop button. To restart the walking belt, press the Start button, the Speed increase button, or one of the numbered speed buttons.



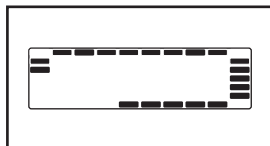
#### 4. Change the incline of the treadmill as desired.

To change the incline of the treadmill, press the Incline increase or decrease button or one of the incline buttons numbered 0 to 10.

Each time you press the Incline increase or decrease button, the incline will change by 0.5%. If you press one of the numbered incline buttons, the incline will gradually change until it reaches the selected incline setting. Note: After you press the buttons, it may take a moment for the treadmill to reach the selected incline setting.

#### 5. Follow your progress with the displays.

**The matrix**—When you select the manual mode, the matrix will display a track that represents 1/4 mile (400 meters). As you exercise, the indicators around the track will appear in succession until the entire track appears. The track will then disappear and the indicators will again begin to appear in succession.

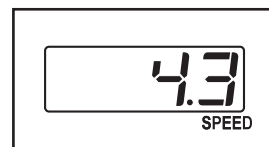


**The left display**—The left display will show the elapsed time, the incline of treadmill, and the approximate number of calories you have



burned for a few seconds each. Press the left Display button until the display shows the information that you are most interested in viewing. Note: When a preset workout is selected, the display will show the time remaining in the workout instead of the elapsed time.

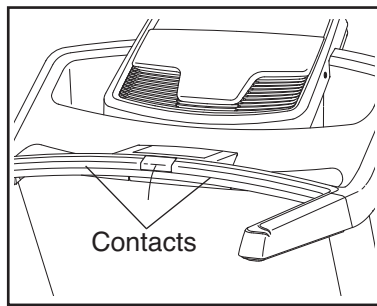
**The right display**—The right display will show the distance that you have walked or run and the speed of the walking belt for a few seconds each. Press the right Display button until the display shows the information that you are most interested in viewing. The display will also show your heart rate when you use the handgrip pulse sensor (see step 6 on page 18).



To reset the console, press the Stop button, remove the key, and then reinsert the key.

## 6. Measure your heart rate if desired.

Before using the handgrip pulse sensor, remove the sheets of clear plastic from the metal contacts. In addition, make sure that your hands are clean.



To measure your heart rate, **stand on the foot rails** and hold the metal contacts on the handrail—**avoid moving your hands. Hold the contacts for approximately ten seconds.** When your pulse is detected, your heart rate will be shown. **For the most accurate heart rate reading, continue to hold the contacts for about 15 seconds.**

## 7. Turn on the fans if desired.

The fans feature high and low speed settings. Press the Fans button repeatedly to select a fan speed or to turn off the fans. Note: If the fans are on when the walking belt is stopped, the fans will turn off automatically after a few minutes.

## 8. When you are finished exercising, remove the key from the console.

Step onto the foot rails, press the Stop button, and **adjust the incline of the treadmill to the lowest setting. The incline must be at the lowest setting when you fold the treadmill to the storage position, or you may damage the treadmill.** Next, remove the key from the console and put it in a secure place.

When you are finished using the treadmill, switch the reset/off circuit breaker to the “off” position and unplug the power cord. **IMPORTANT: If you do not do this, the treadmill’s electrical components may wear prematurely.**

## HOW TO USE A PRESET WORKOUT

### 1. Insert the key into the console.

See HOW TO TURN ON THE POWER on page 16.

### 2. Select a preset workout.

To select a preset workout, press the Weight Loss, the Aerobic, the Performance, or the Endurance button.

When a preset workout is selected, the displays will show the maximum speed setting and the duration of the workout. In addition, a profile of the speed settings of the workout will scroll across the matrix.

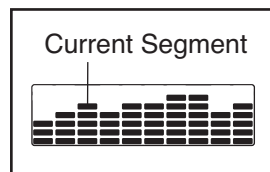
### 3. Start the walking belt.

Press the Start button or the Speed increase button to start the workout. A moment after you press the button, the treadmill will automatically adjust to the first speed and incline settings of the workout. Hold the handrails and begin walking.

Each workout is divided into one-minute segments. One speed setting and one incline setting are programmed for each segment. Note: The same speed and/or incline setting may be programmed for consecutive segments.

During the workout, the profile will show your progress. The flashing segment of the profile represents the current segment of the workout.

The height of the flashing segment indicates the speed setting for the current segment. At the end of each segment, a series of tones will sound and the next segment of the profile will begin to flash. If a new speed and/or incline



setting is programmed for the next segment, the new speed and/or incline setting will appear in the displays for a few seconds. The treadmill will automatically adjust to the new speed and/or incline setting.

The workout will continue in this way until the last segment of the workout ends. The walking belt will then slow to a stop.

If the speed or incline setting is too high or too low at any time during the workout, you can manually override the setting by pressing the speed or incline buttons; **however, when the next segment of the workout begins, the treadmill will automatically adjust to the speed and incline settings for the next segment.**

To stop the workout at any time, press the Stop button. To restart the workout, press the Start button or the Speed increase button. The walking belt will begin to move at 1 mph. When the next segment of the workout begins, the treadmill will automatically adjust to the speed and incline settings for the next segment.

### 4. Follow your progress with the displays.

See step 5 on page 17.

### 5. Measure your heart rate if desired.

See step 6 on page 18.

### 6. Turn on the fans if desired.

See step 7 on page 18.

### 7. When you are finished exercising, remove the key from the console.

See step 8 on page 18.

## HOW TO CREATE A CUSTOM WORKOUT

### 1. Insert the key into the console.

See HOW TO TURN ON THE POWER on page 16.

### 2. Select a custom workout.

To select a custom workout, press the one of the Custom buttons repeatedly. When a custom workout is selected, the displays will show the maximum speed setting and the duration of the workout. In addition, a profile of the speed settings of the workout will scroll across the matrix.

**Note: If the display does not show a workout duration of three minutes, see HOW TO USE A CUSTOM WORKOUT on page 21.**

### 3. Start the walking belt and program the desired speed and incline settings.

Press the Start button or the Speed increase button to start the workout. A moment after you press the button, the walking belt will begin to move. Hold the handrails and begin walking.

Each custom workout is divided into several one-minute segments. One speed setting and one incline setting can be programmed for each segment. To program speed and incline settings for the first segment, simply adjust the speed and incline of the treadmill as desired by pressing the speed and incline buttons.

When the first segment of the workout ends, a series of tones will sound and the current speed and incline settings will be saved in memory. Program a speed setting and an incline setting for the second segment in the same way.

Continue programming speed and incline settings for as many segments as desired; custom workouts can have up to forty segments. When you are finished with your workout, press the Stop button twice. The speed and incline settings that you have programmed and the workout time will then be saved in memory.

### 4. Follow your progress with the displays.

See step 5 on page 17.

### 5. Measure your heart rate if desired.

See step 6 on page 18.

### 6. Turn on the fans if desired.

See step 7 on page 18.

### 7. When you are finished exercising, remove the key from the console.

See step 8 on page 18.

## HOW TO USE A CUSTOM WORKOUT

### 1. Insert the key into the console.

See HOW TO TURN ON THE POWER on page 16.

### 2. Select a custom workout.

To select a custom workout, press the one of the Custom buttons repeatedly. When a custom workout is selected, the displays will show the maximum speed setting and the duration of the workout. In addition, a profile of the speed settings of the workout will scroll across the matrix.

**Note: If the display shows a workout duration of three minutes, see HOW TO CREATE A CUSTOM WORKOUT on page 20.**

### 3. Start the walking belt.

Press the Start button or the Speed increase button to start the workout. A moment after you press the button, the treadmill will automatically adjust to the first speed and incline settings that you programmed previously. Hold the handrails and begin walking.

Each custom workout is divided into several one-minute segments. One speed setting and one incline setting are programmed for each segment. Note: The same speed and/or incline setting may be programmed for consecutive segments.

The custom workout will function in the same way as a preset workout (see step 3 on page 19).

If desired, you can redesign the workout while using it. **To change the speed setting or the in-**

**cline setting for the current segment**, simply press the speed or incline buttons. When the current segment ends, the new setting will be saved in memory. **To increase the length of the workout**, first wait until the workout is completed. Then, press the Start button and program speed and incline settings for as many additional segments as desired. When you have added as many segments as desired, press the Stop button twice. **To decrease the length of the workout**, press the Stop button twice at any time before the workout is completed.

To stop the workout temporarily, press the Stop button. To restart the workout, press the Start button. The walking belt will begin to move at 1 mph. When the next segment of the workout begins, the treadmill will automatically adjust to the speed and incline settings programmed for the next segment.

### 4. Follow your progress with the displays.

See step 5 on page 17.

### 5. Measure your heart rate if desired.

See step 6 on page 18.

### 6. Turn on the fans if desired.

See step 7 on page 18.

### 7. When you are finished exercising, remove the key from the console.

See step 8 on page 18.

## THE INFORMATION MODE

The console features an information mode that keeps track of the total distance that the walking belt has moved and the total number of hours that the treadmill has been used. The information mode also allows you to select miles or kilometers to measure distance, and to turn on and turn off the display demo mode.

To select the information mode, hold down the Stop button while inserting the key into the console and then release the Stop button. When the information mode is selected, the following information will be shown:

The left display will show the total number of hours the treadmill has been used.



The right display will show the total number of miles or kilometers that the walking belt has moved.



Press the Stop button again to view the following information:

The console features a display demo mode, designed to be used if the treadmill is displayed in a store. While the demo mode is turned on, the console will function normally when you plug in the power cord, switch the reset/off circuit breaker to the reset position, and insert the key into the console. However, when you remove the key, the displays will remain lit, although the buttons will not function. If the demo mode is turned on, a "d" will appear in the left display while the information mode is selected. To turn on or turn off the demo mode, press the Speed decrease button.



An "E" for English miles or an "M" for metric kilometers will appear in the right display. Press the Speed increase button to change the unit of measurement if desired.



To exit the information mode, remove the key from the console.

## HOW TO USE THE STEREO SOUND SYSTEM

To play music or audio books through the console's stereo speakers, you must connect your MP3 player, CD player, or other personal audio player to the console through the audio jack.

To use the audio jack, locate the audio wire and plug it into the audio jack on the right side of the console. Then plug the audio wire into a jack on your MP3 player, CD player, or other personal audio player. **Make sure that the audio wire is fully plugged in.**

Next, press the Play button on your MP3 player, CD player, or other personal audio player. Adjust the volume on your personal audio player or press the Volume increase and decrease buttons on the console.

If you are using a personal CD player and the CD skips, set the CD player on the floor or another flat surface and not on the console.

# HOW TO FOLD AND MOVE THE TREADMILL

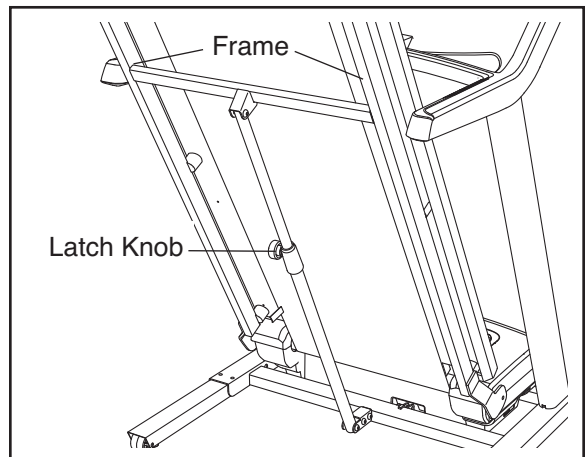
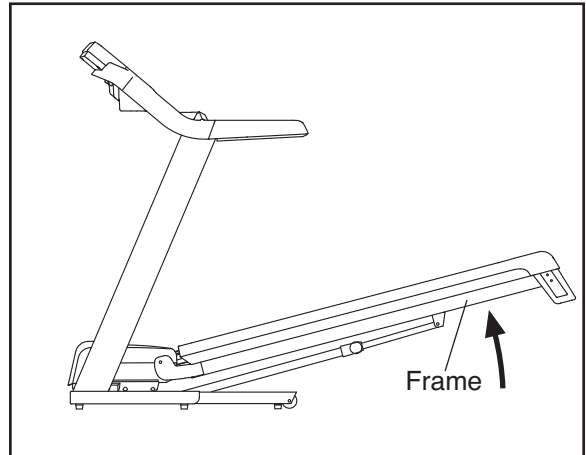
## HOW TO FOLD THE TREADMILL FOR STORAGE

Before folding the treadmill, adjust the incline to the lowest position. If you do not do this, you may damage the treadmill when you fold it. Remove the key and unplug the power cord. **CAUTION:** You must be able to safely lift 45 lbs. (20 kg) to raise, lower, or move the treadmill.

1. Hold the metal frame firmly in the location shown by the arrow at the right. **CAUTION:** To decrease the possibility of injury, do not lift the frame by the plastic foot rails. To raise the frame, bend your legs, keep your back straight, and lift with your legs. Raise the frame about halfway to the vertical position.

2. Raise the frame until the latch knob locks into the storage position. **Make sure that the latch knob is locked in the storage position.**

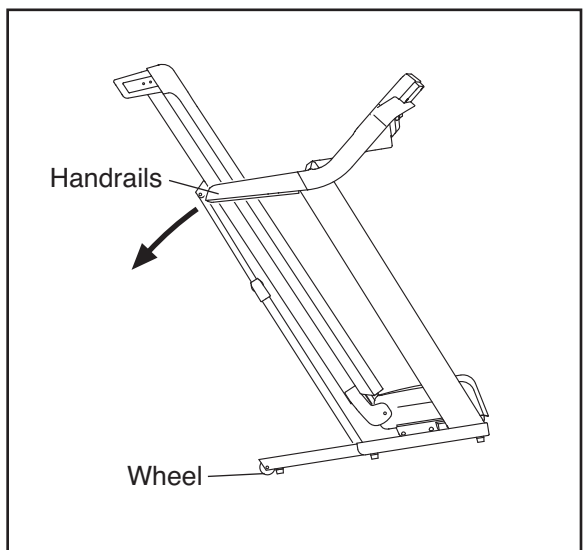
To protect the floor or carpet from damage, place a mat under the treadmill. Keep the treadmill out of direct sunlight. Do not leave the treadmill in the storage position in temperatures above 85° F (30° C).



## HOW TO MOVE THE TREADMILL

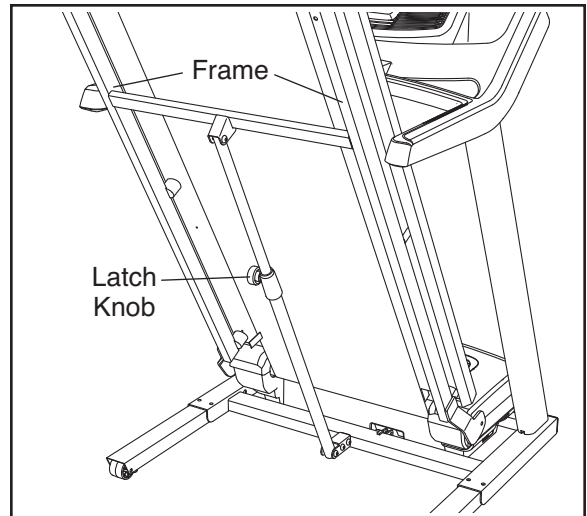
Before moving the treadmill, convert the treadmill to the storage position as described above. **Make sure that the latch knob is locked in the storage position.**

1. Hold the handrails and place one foot against one of the wheels.
2. Tilt the treadmill back until it rolls freely on the wheels. Carefully move the treadmill to the desired location. **Never move the treadmill without tipping it back. To reduce the risk of injury, use extreme caution while moving the treadmill. Do not attempt to move the treadmill over an uneven surface.**
3. Place one foot against one of the wheels, and carefully lower the treadmill until it is resting in the storage position.

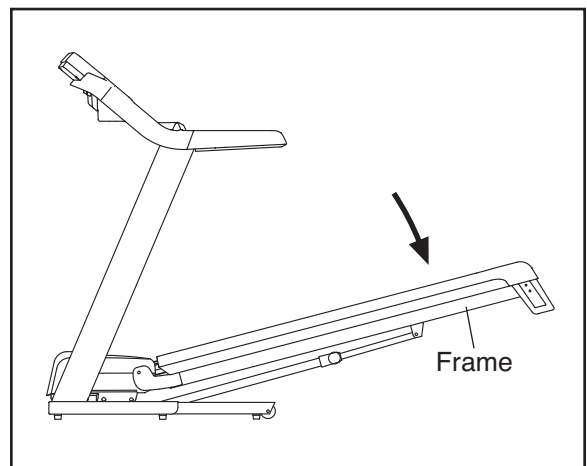


## HOW TO LOWER THE TREADMILL FOR USE

1. Hold the upper end of the treadmill with your right hand. Pull the latch knob to the left and hold it. Pivot the frame downward and release the latch knob. Note: It may be necessary to push the frame forward as you pull the latch knob to the left.



2. **Hold the metal frame firmly with both hands**, and lower it to the floor. **CAUTION: To decrease the possibility of injury, do not lower the frame by gripping only the plastic foot rails. Do not drop the frame to the floor. Make sure to bend your legs and keep your back straight.**





# TROUBLESHOOTING

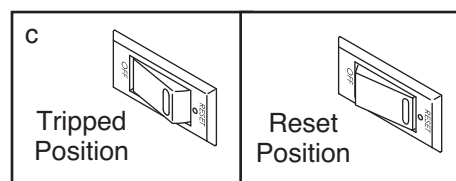
Most treadmill problems can be solved by following the steps below. Find the symptom that applies, and follow the steps listed. If further assistance is needed, please see the front cover of this manual.

**PROBLEM: The power does not turn on**

**SOLUTION:** a. Make sure that the power cord is plugged into a surge suppressor, and that the surge suppressor is plugged into a properly grounded outlet (see page 14). Use only a single-outlet surge suppressor that meets all of the specifications described on page 14. **IMPORTANT: The treadmill is not compatible with GFCI-equipped outlets.**

b. After the power cord has been plugged in, make sure that the key is inserted into the console.

c. Check the reset/off circuit breaker located on the treadmill frame near the power cord. If the switch protrudes as shown, the circuit breaker has tripped. To reset the circuit breaker, wait for five minutes and then press the switch to the reset position.



**PROBLEM: The power turns off during use**

**SOLUTION:** a. Check the reset/off circuit breaker (see the drawing above). If the circuit breaker has tripped, wait for five minutes and then press the switch to the reset position.

b. Make sure that the power cord is plugged in. If the power cord is plugged in, unplug it, wait for five minutes, and then plug it back in.

c. Remove the key from the console. Reinsert the key into the console.

d. If the treadmill still will not run, please see the front cover of this manual.

**PROBLEM: The console displays remain lit when you remove the key from the console**

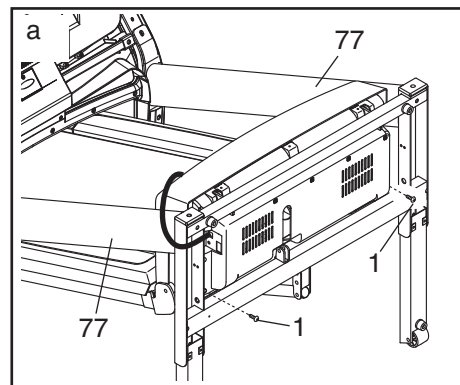
**SOLUTION:** a. The console features a display demo mode, designed to be used if the treadmill is displayed in a store. If the displays remain lit when you remove the key, the demo mode is turned on. To turn off the demo mode, hold down the Stop button for a few seconds. If the displays are still lit, see THE INFORMATION MODE on page 22 to turn off the demo mode.

**PROBLEM: The displays of the console do not function properly**

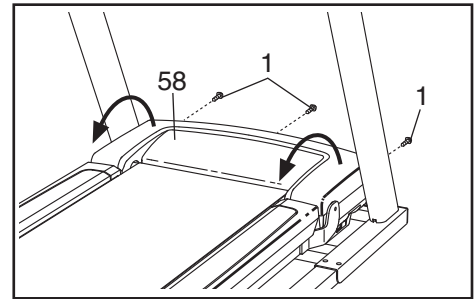
**SOLUTION:** a. Remove the key from the console and **UNPLUG THE POWER CORD**. Lower the Uprights (77).

Next, remove the two indicated #8 x 3/4" Screws (1).

Raise the Uprights (77).

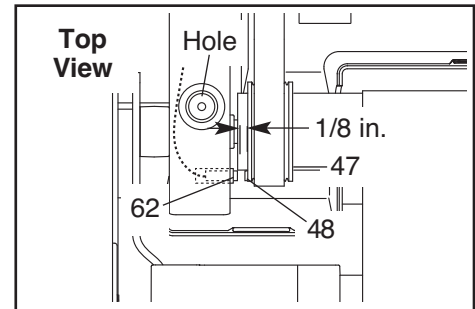


Remove the three indicated #8 x 3/4" Screws (1), and remove the Motor Hood (58).



Next, locate the Reed Switch (62) and the Magnet (48) on the left side of the Pulley (47). Turn the Pulley until the Magnet is aligned with the Reed Switch.

**Make sure that the gap between the Magnet and the Reed Switch is about 1/8 in. (3 mm).** If necessary, carefully insert a slotted screwdriver into the indicated hole and move the Reed Switch slightly. Reattach the Motor Hood (not shown) with the five #8 x 3/4" Screws (not shown). Run the treadmill for a few minutes to check for a correct speed reading.



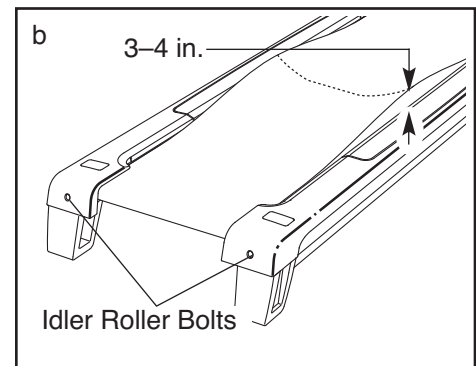
**PROBLEM: The incline of the treadmill does not change correctly**

**SOLUTION:** a. With the key in the console, press one of the Incline buttons. **While the incline is changing, remove the key.** After a few seconds, re-insert the key. The treadmill will automatically rise to the maximum incline level and then return to the minimum level. This will recalibrate the incline system.

**PROBLEM: The walking belt slows when walked on**

**SOLUTION:** a. Use only a single-outlet surge suppressor that meets all of the specifications described on page 14.

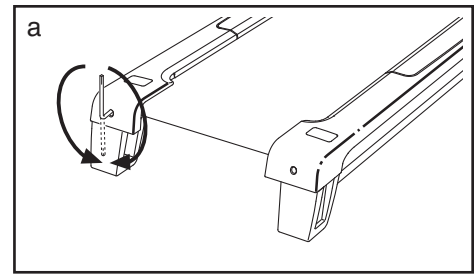
b. If the walking belt is overtightened, treadmill performance may decrease and the walking belt may become damaged. Remove the key and **UNPLUG THE POWER CORD.** Using the hex key, turn both idler roller bolts counterclockwise, 1/4 of a turn. When the walking belt is properly tightened, you should be able to lift each edge of the walking belt 3 to 4 in. (8 to 10 cm) off the walking platform. Be careful to keep the walking belt centered. Then, plug in the power cord, insert the key, and run the treadmill for a few minutes. Repeat until the walking belt is properly tightened.



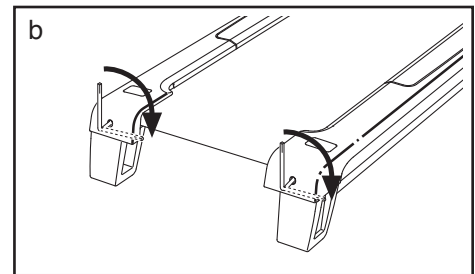
c. If the walking belt still slows when walked on, please see the front cover of this manual.

**PROBLEM: The walking belt is off-center or slips when walked on**

**SOLUTION:** a. If the walking belt is off-center, remove the key and **UNPLUG THE POWER CORD**. If the walking belt has shifted to the left, use the hex key to turn the left idler roller bolt clockwise 1/2 of a turn; if the walking belt has shifted to the right, turn the left idler roller bolt counterclockwise 1/2 of a turn. Be careful not to overtighten the walking belt. Plug in the power cord, insert the key, and run the treadmill for a few minutes. Repeat until the walking belt is centered.



b. If the walking belt slips when walked on, first remove the key and **UNPLUG THE POWER CORD**. Using the hex key, turn both idler roller bolts clockwise, 1/4 of a turn. When the walking belt is correctly tightened, you should be able to lift each edge of the walking belt 3 to 4 in. (8 to 10 cm) off the walking platform. Be careful to keep the walking belt centered. Then, plug in the power cord, insert the key, and carefully walk on the treadmill for a few minutes. Repeat until the walking belt is properly tightened.



# EXERCISE GUIDELINES

**⚠ WARNING:** Before beginning any exercise program, consult your physician. This is especially important for persons over the age of 35 or persons with pre-existing health problems.

The pulse sensor is not a medical device. Various factors may affect the accuracy of heart rate readings. The pulse sensor is intended only as an exercise aid in determining heart rate trends in general.

These guidelines will help you to plan your exercise program. For detailed exercise information, obtain a reputable book or consult your physician. Remember, proper nutrition and adequate rest are essential for successful results.

## EXERCISE INTENSITY

Whether your goal is to burn fat or to strengthen your cardiovascular system, exercising at the proper intensity is the key to achieving results. You can use your heart rate as a guide to find the proper intensity level. The chart below shows recommended heart rates for fat burning and aerobic exercise.

165	155	145	140	130	125	115	♥♥
145	138	130	125	118	110	103	♥
125	120	115	110	105	95	90	♥
<hr/>							
20	30	40	50	60	70	80	

To find the proper intensity level, find your age at the bottom of the chart (ages are rounded off to the nearest ten years). The three numbers listed above your age define your “training zone.” The lowest number is the heart rate for fat burning, the middle number is the heart rate for maximum fat burning, and the highest number is the heart rate for aerobic exercise.

**Burning Fat**—To burn fat effectively, you must exercise at a low intensity level for a sustained period of time. During the first few minutes of exercise, your body uses *carbohydrate calories* for energy. Only after the first few minutes of exercise does your body begin to use stored *fat calories* for energy. If your goal is to burn fat, adjust the intensity of your exercise until your heart rate is near the lowest number in your training zone. For maximum fat burning, exercise with your heart rate near the middle number in your training zone.

**Aerobic Exercise**—If your goal is to strengthen your cardiovascular system, you must perform aerobic exercise, which is activity that requires large amounts of oxygen for prolonged periods of time. For aerobic exercise, adjust the intensity of your exercise until your heart rate is near the highest number in your training zone.

## WORKOUT GUIDELINES

**Warming Up**—Start with 5 to 10 minutes of stretching and light exercise. A warm-up increases your body temperature, heart rate, and circulation in preparation for exercise.

**Training Zone Exercise**—Exercise for 20 to 30 minutes with your heart rate in your training zone. (During the first few weeks of your exercise program, do not keep your heart rate in your training zone for longer than 20 minutes.) Breathe regularly and deeply as you exercise—never hold your breath.

**Cooling Down**—Finish with 5 to 10 minutes of stretching. Stretching increases the flexibility of your muscles and helps to prevent post-exercise problems.

## EXERCISE FREQUENCY

To maintain or improve your condition, complete three workouts each week, with at least one day of rest between workouts. After a few months of regular exercise, you may complete up to five workouts each week, if desired. Remember, the key to success is to make exercise a regular and enjoyable part of your everyday life.

# PART LIST—Model No. HMTL07508.0

R1008A

To locate the parts listed below, see the EXPLODED DRAWING near the end of this manual.

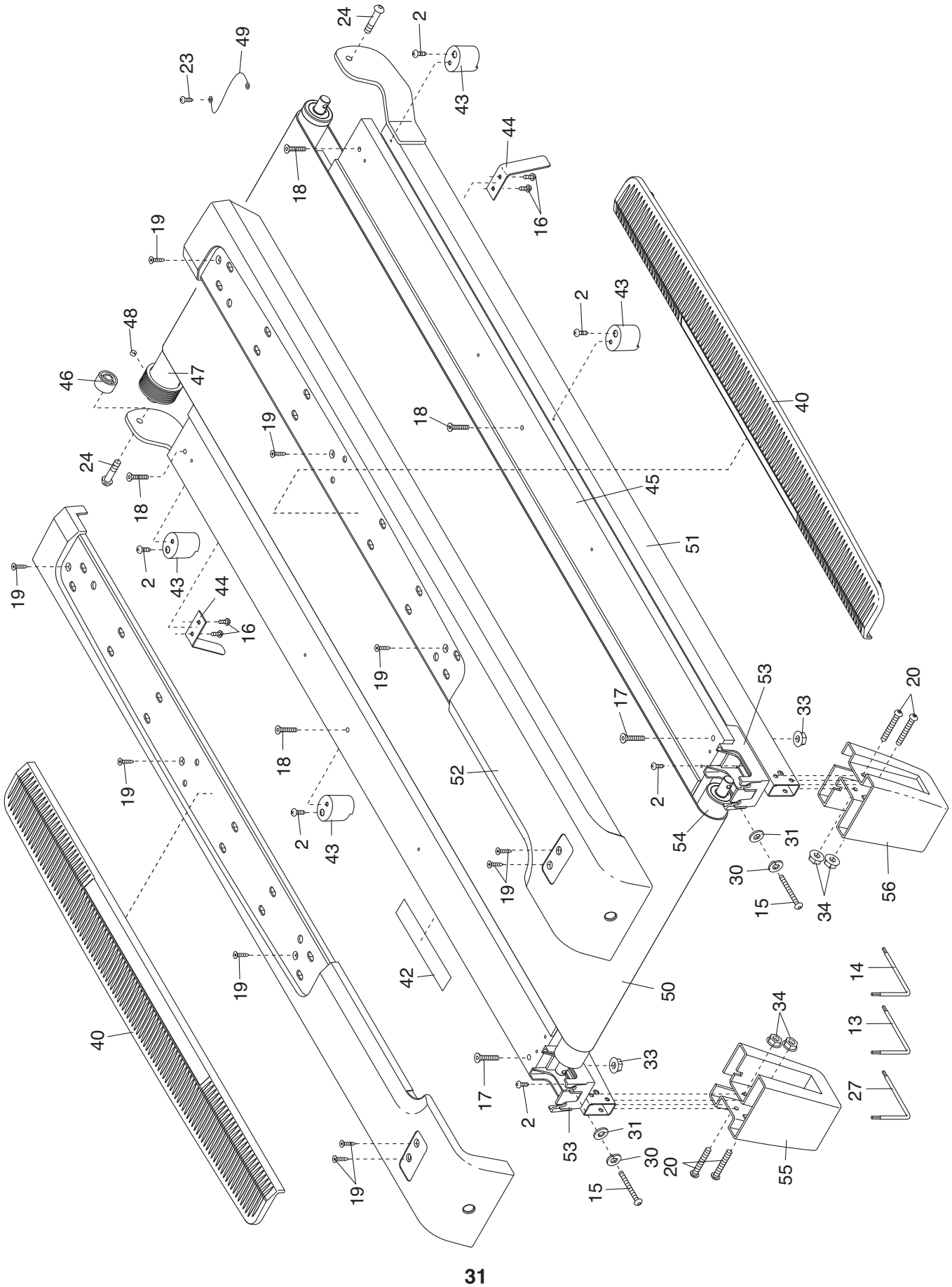
Key No.	Qty.	Description	Key No.	Qty.	Description
1	16	#8 x 3/4" Screw	51	1	Frame
2	50	#8 x 1/2" Screw	52	1	Right Foot Rail
3	2	1/4" x 1/2" Patch Bolt	53	2	Idler Roller Bracket
4	6	#8 x 1" Tek Screw	54	1	Idler Roller
5	1	Controller Ground Wire	55	1	Left Rear Foot
6	3	3/8" x 2" Bolt	56	1	Right Rear Foot
7	4	3/8" x 2 3/4" Patch Bolt	57	2	Console Ground Wire
8	2	3/8" x 1" Patch Bolt	58	1	Motor Hood
9	4	3/8" x 1 1/4" Patch Bolt	59	1	Motor Belt
10	2	3/8" x 3/4" Patch Bolt	60	1	Drive Motor
11	10	3/8" Star Washer	61	1	Reed Switch Clamp
12	8	3/8" Nut	62	1	Reed Switch
13	1	Hex Key	63	1	Incline Wire
14	1	3/16" Hex Key	64	1	Incline Motor
15	2	1/4" x 2 1/2" Bolt	65	1	1/4" x 2" Bolt
16	4	#8 Belt Guide Screw	66	1	Lift Frame
17	2	5/16" x 4 1/4" Bolt	67	4	Wire Tie
18	4	1/4" x 1 1/4" Bolt	68	1	Lift Frame/Base Ground Wire
19	10	#12 x 1 1/4" Screw	69	1	Controller
20	4	1/4" x 1 3/4" Bolt	70	1	Reset/Off Circuit Breaker
21	2	Motor Bolt	71	1	Belly Pan
22	6	#8 x 3/4" Screw	72	1	Power Cord
23	6	#8 x 1/2" Ground Screw	73	1	Grommet
24	2	3/8" x 1 1/2" Bolt	74	7	8" Tie
25	2	7/16" x 1" Bolt	75	1	Releasable Tie
26	4	5/16" x 2" Bolt	76	1	Upright Wire
27	1	5/32" Hex Key	77	2	Upright
28	1	Upper Clevis Pin	78	1	Small Left Pulse Sensor
29	1	Lower Clevis Pin	79	1	Latch Cap
30	2	1/4" Lock Washer	80	1	Storage Latch
31	2	1/4" Washer	81	1	Latch Knob
32	1	3/8" x 1 3/8" Bolt	82	1	Left Accessory Tray
33	2	5/16" Flange Nut	83	1	Base
34	4	1/4" Flange Nut	84	2	Base Cap
35	2	7/16" Nut	85	6	Base Foot Spacer
36	3	Hood Clip	86	6	Base Foot
37	2	Cotter Pin	87	2	Caution Decal
38	6	#3 x 1/4" Screw	88	2	Extension Leg
39	4	5/16" Star Washer	89	3	Wire Tie
40	2	Foot Rail Cover	90	1	Latch Bracket
41	1	Left Foot Rail	91	2	Wheel
42	1	Warning Deal	92	1	Large Left Pulse Sensor
43	4	Isolator	93	1	Right Small Pulse Sensor
44	2	Belt Guide	94	1	Left Handrail
45	1	Walking Platform	95	1	Left Handrail Cover
46	2	Frame Spacer	96	1	Left Bottom Handrail Cover
47	1	Drive Roller/Pulley	97	1	Console Base
48	1	Magnet	98	1	Console Crossbar
49	1	Lift Frame/Front Roller Ground Wire	99	1	Pulse Bar
50	1	Walking Belt	100	1	Console Cover

Key No.	Qty.	Description	Key No.	Qty.	Description
101	1	Right Accessory Tray	110	1	Right Large Pulse Sensor
102	1	Right Handrail	111	1	Key Clip
103	1	Right Handrail Cover	112	1	Left Handrail Insert
104	1	Right Bottom Handrail Cover	113	1	Right Handrail Insert
105	1	Audio Wire	*	–	8" White Wire, M/F
106	1	Left Console Fan	*	–	4" Black Wire, M/F
107	1	Right Console Fan	*	–	4" Red Wire, M/F
108	1	Console	*	–	8" Blue Wire, M/F
109	1	Access Door	*	–	User's Manual

Note: Specifications are subject to change without notice. See the back cover of this manual for information about ordering replacement parts. \*These parts are not illustrated.

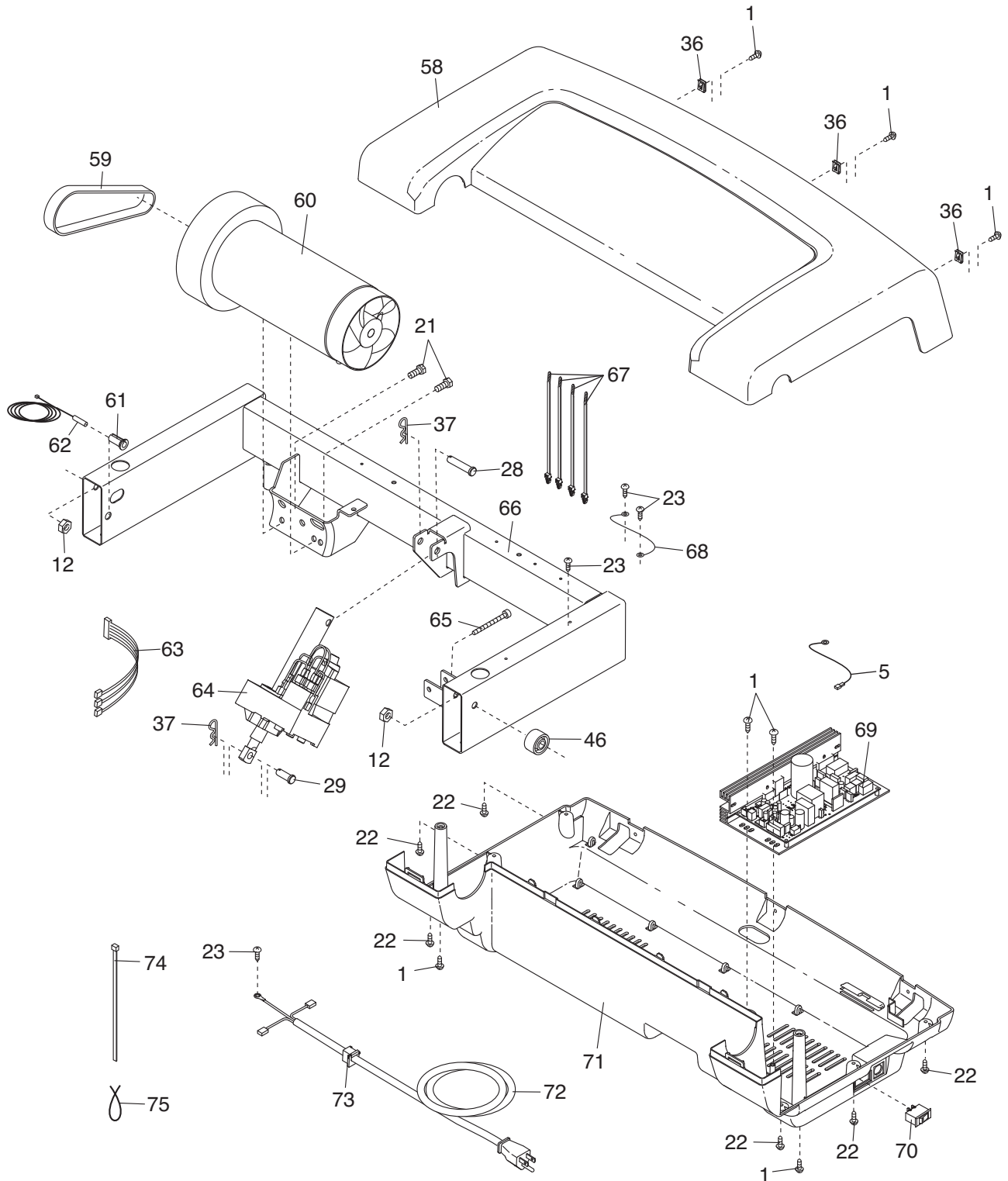
# EXPLODED DRAWING A—Model No. HMTL07508.0

R1008A



# EXPLODED DRAWING B—Model No. HMTL07508.0

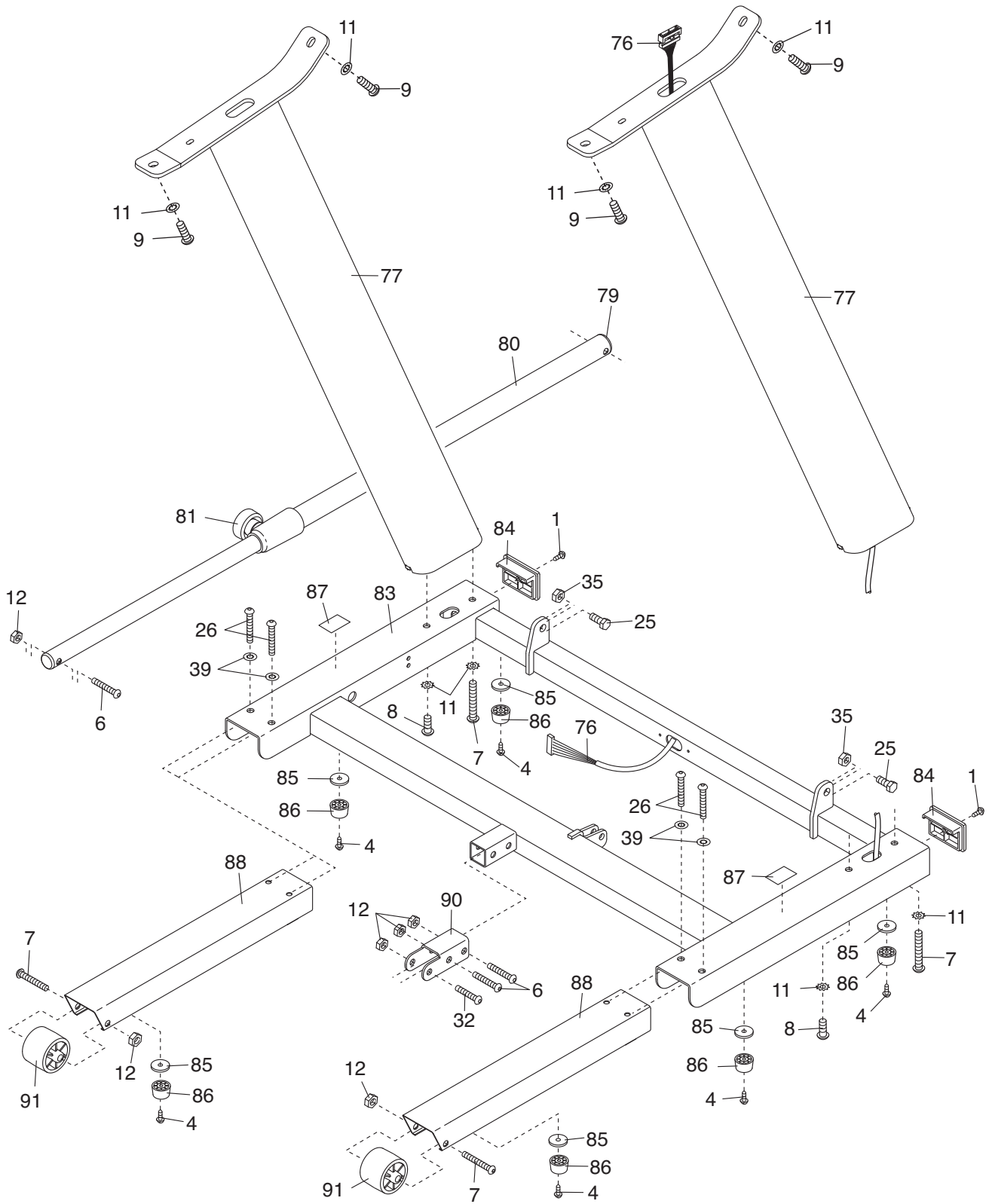
R1008A





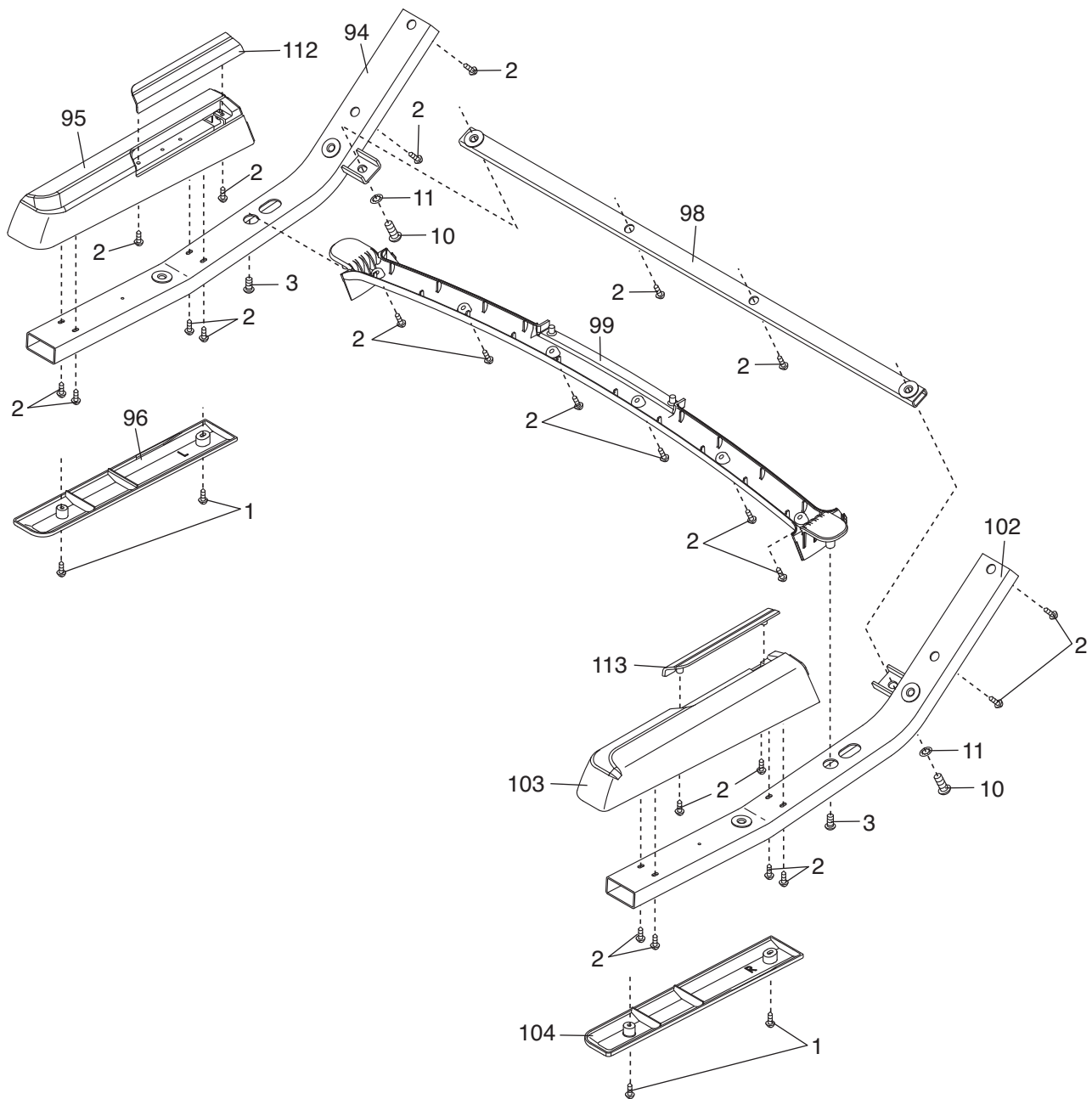
# EXPLODED DRAWING C—Model No. HMTL07508.0

R1008A



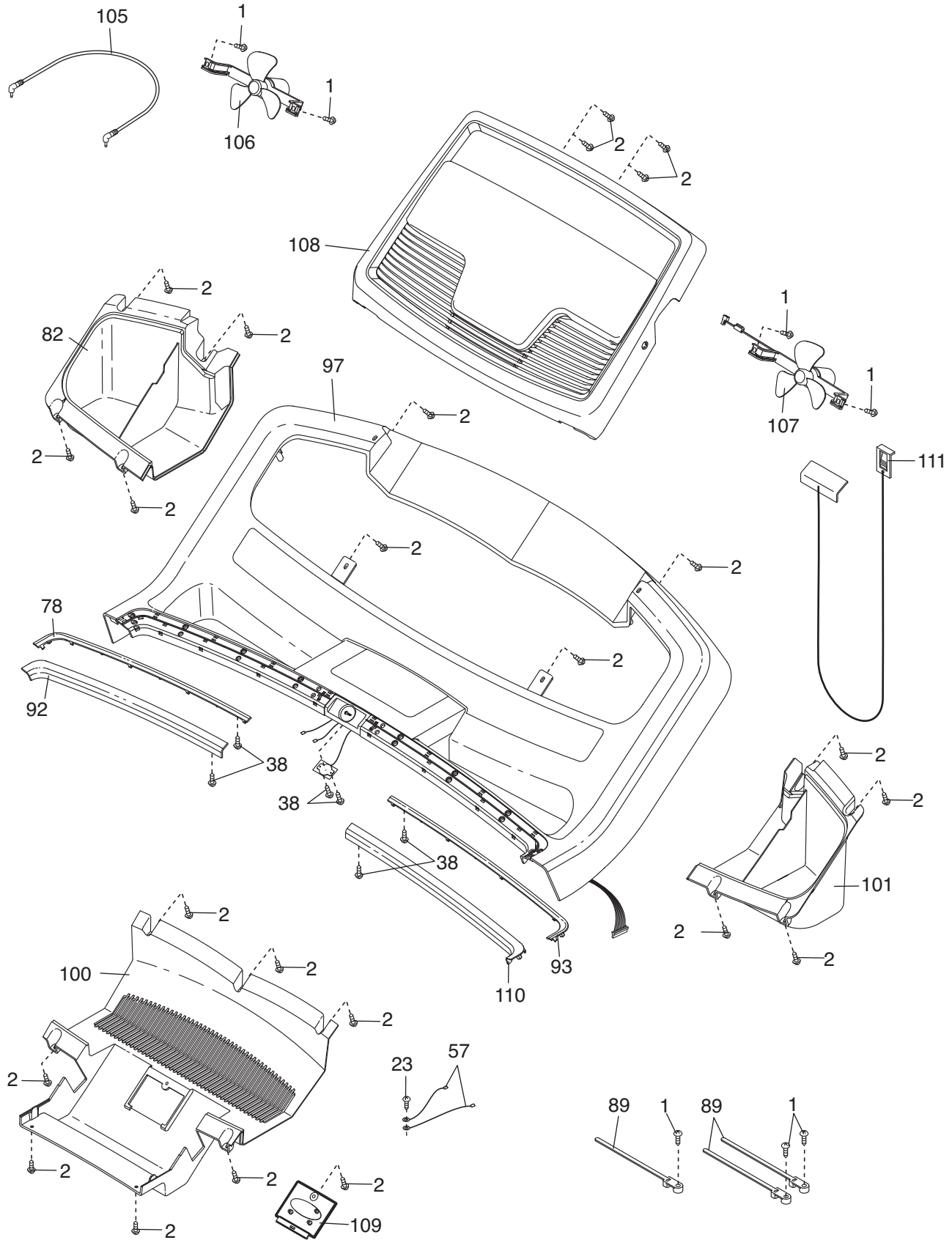
# EXPLODED DRAWING D—Model No. HMTL07508.0

R1008A



# EXPLODED DRAWING E—Model No. HMTL07508.0

R1008A



---

# ORDERING REPLACEMENT PARTS

To order replacement parts, please see the front cover of this manual. To help us assist you, be prepared to provide the following information when contacting us:

- the model number and serial number of the product (see the front cover of this manual)
- the name of the product (see the front cover of this manual)
- the key number and description of the replacement part(s) (see the PART LIST and the EXPLODED DRAWING near the end of this manual)

## Free Manuals Download Website

<http://myh66.com>

<http://usermanuals.us>

<http://www.somanuals.com>

<http://www.4manuals.cc>

<http://www.manual-lib.com>

<http://www.404manual.com>

<http://www.luxmanual.com>

<http://aubethermostatmanual.com>

Golf course search by state

<http://golfingnear.com>

Email search by domain

<http://emailbydomain.com>

Auto manuals search

<http://auto.somanuals.com>

TV manuals search

<http://tv.somanuals.com>