

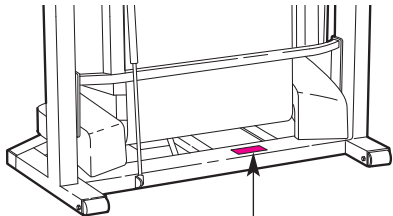
# ® HEALTHRIDER

SOFTSTRIDER • A SERIES

A60

Model No. HRTL17981

Serial No. \_\_\_\_\_



Serial Number Decal

## QUESTIONS?

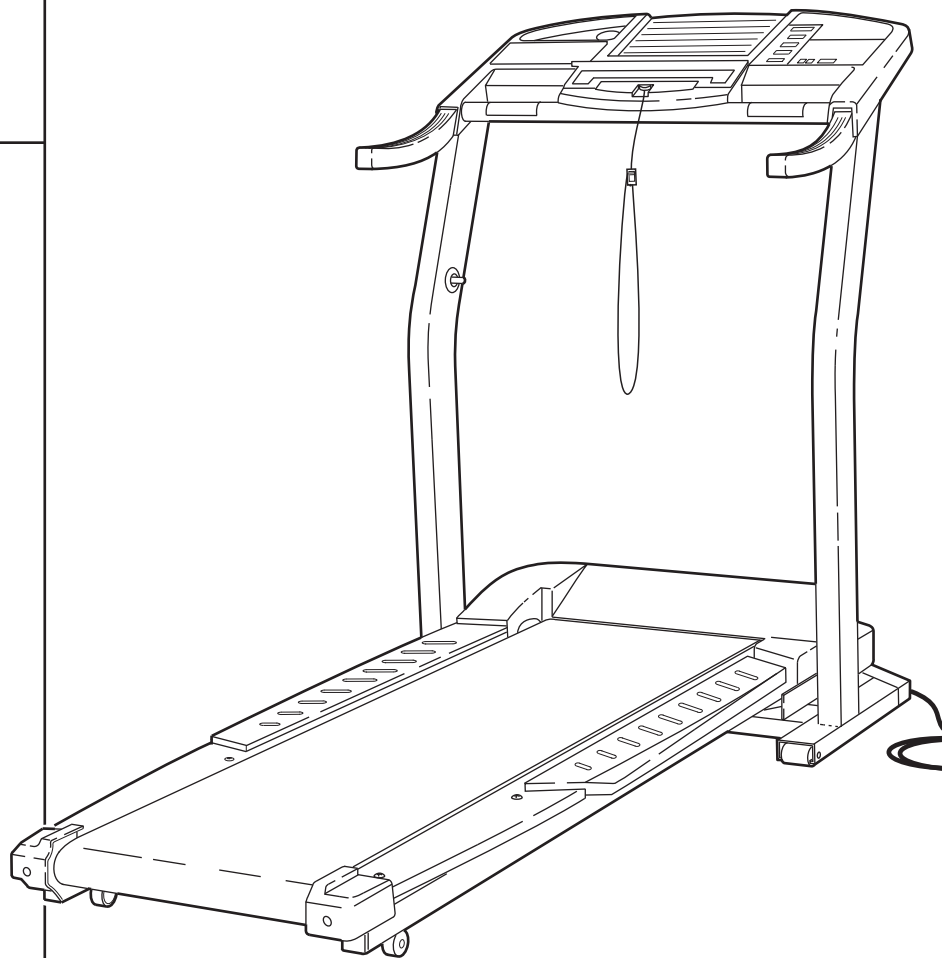
As a manufacturer, we are committed to providing complete customer satisfaction. If you have questions, or if there are missing or damaged parts, we will guarantee complete satisfaction through direct assistance from our factory.

**TO AVOID UNNECESSARY DELAYS, PLEASE CALL DIRECT TO OUR TOLL-FREE CUSTOMER HOT LINE.** The trained technicians on our customer hot line will provide immediate assistance, free of charge.

**CUSTOMER HOT LINE:**

**1-800-999-3756**

Mon.-Fri., 6 a.m.-6 p.m. MST



## ⚠ CAUTION

Read all precautions and instructions in this manual before using this equipment. Save this manual for future reference.

# USER'S MANUAL




---

## TABLE OF CONTENTS

IMPORTANT PRECAUTIONS .....	3
BEFORE YOU BEGIN .....	5
ASSEMBLY .....	6
GROUNDING INSTRUCTIONS .....	7
CONSOLE OPERATION .....	8
HOW TO USE THE HAND PULSE SENSOR .....	16
HOW TO FOLD AND MOVE THE TREADMILL .....	17
TROUBLE-SHOOTING AND MAINTENANCE .....	18
CONDITIONING GUIDELINES .....	20
PART LIST .....	22
HOW TO ORDER REPLACEMENT PARTS .....	23
LIMITED WARRANTY .....	Back Cover

Note: An EXPLODED DRAWING is attached in the center of this manual. Please save the EXPLODED DRAWING for future reference.

# IMPORTANT PRECAUTIONS

**⚠ WARNING:** To reduce the risk of burns, fire, electric shock, or injury to persons, read the following important precautions and information before operating the treadmill.

1. It is the responsibility of the owner to ensure that all users of this treadmill are adequately informed of all warnings and precautions.
2. Use the treadmill only as described in this manual.
3. Place the treadmill on a level surface, with eight feet of clearance behind it. Do not place the treadmill on any surface that blocks air openings. To protect the floor or carpet from damage, place a mat under the treadmill.
4. Keep the treadmill indoors, away from moisture and dust. Do not put the treadmill in a garage or covered patio, or near water.
5. Do not operate the treadmill where aerosol products are used or oxygen is administered.
6. Keep children under the age of 12 and pets away from the treadmill at all times.
7. The treadmill should not be used by persons weighing more than 250 pounds. Never allow more than one person on the treadmill at a time.
8. Wear appropriate exercise clothing when using the treadmill. Do not wear loose clothing that could become caught in the treadmill. Athletic support clothes are recommended for both men and women.
9. *Always wear athletic shoes when using the treadmill—never use the treadmill with bare feet, wearing only stockings, or in sandals.*
10. When connecting the power cord (see page 7), plug the power cord into a surge protector (not included) and plug the surge protector into a grounded circuit capable of carrying 15 or more amps. No other appliance should be on the same circuit.
11. Use only a UL-listed surge protector, rated at 15 amps, with a 14-gauge cord of five feet or less in length. Do not use an extension cord.
12. Keep the power cord and the surge protector away from heated surfaces.
13. Never move the walking belt while the power is turned off. Do not operate the treadmill if the power cord or plug is damaged, or if the treadmill is not working properly. (See **BEFORE YOU BEGIN** on page 5 if the treadmill is not working properly.)
14. Never start the treadmill while you are standing on the walking belt.
15. Always hold the handrails when walking or running on the treadmill.
16. The treadmill is capable of high speeds; adjust the speed in small increments to avoid sudden jumps in speed.
17. The hand pulse sensor is not a medical device. Various factors, including the user's movement, may affect the accuracy of heart rate readings. The hand pulse sensor is intended only as an exercise aid in determining heart rate trends in general.
18. Never leave the treadmill unattended while it is running. Always remove the key, unplug the power cord and move the on/off switch to the off position when the treadmill is not in use. (See the drawing on page 5 for the location of the on/off switch.)
19. Never drop or insert any object into any opening.
20. When operating the treadmill, keep hands and feet from underneath the treadmill.
21. You must be able to safely lift 45 pounds (20 kg) to raise, lower, or move the treadmill.
22. When folding or moving the treadmill, make sure that the lock knob is fully engaged.
23. Inspect and tighten all parts of the treadmill every three months.

24. **DANGER:** Always unplug the power cord immediately after use, before cleaning the treadmill, and before performing the maintenance and adjustment procedures described in this manual. Never remove the motor hood unless instructed to do so by an authorized service representative. Servicing

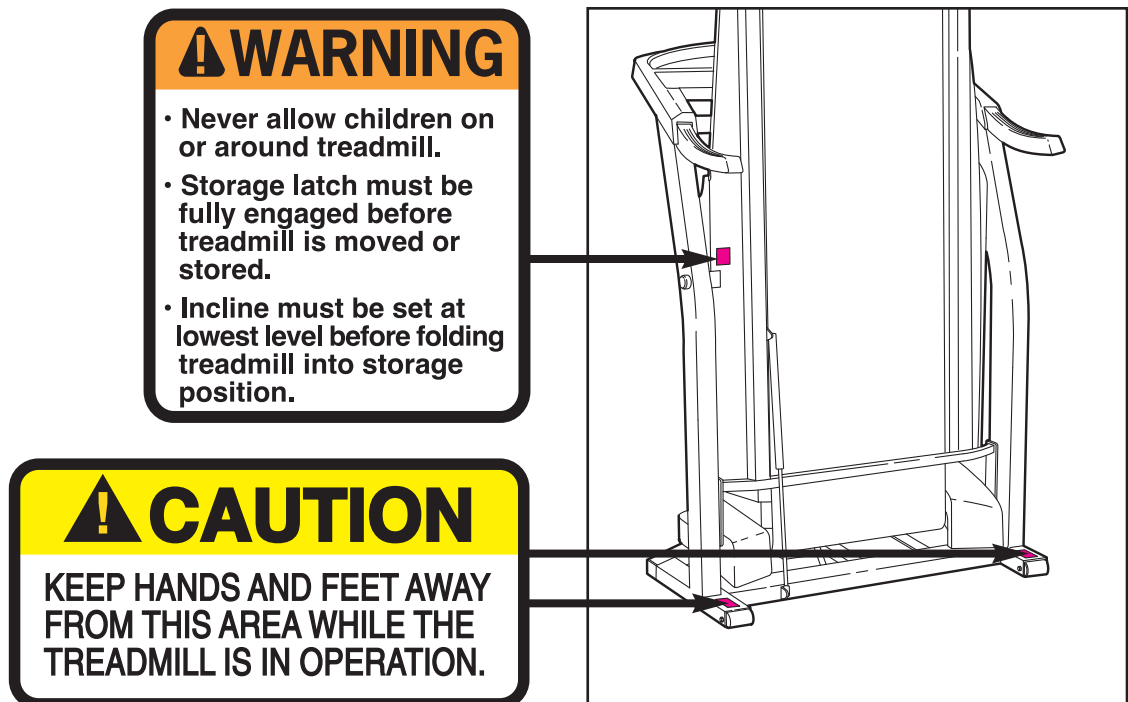
other than the procedures in this manual should be performed by an authorized service representative only.

25. The treadmill is intended for in-home use only. Do not use the treadmill in any commercial, rental, or institutional setting.

**⚠ WARNING:** Before beginning this or any exercise program, consult your physician. This is especially important for persons over the age of 35 or persons with pre-existing health problems. Read all instructions before using. ICON assumes no responsibility for personal injury or property damage sustained by or through the use of this product.

## SAVE THESE INSTRUCTIONS

The decals shown below have been placed on your treadmill. If a decal is missing, or if it is not legible, please call our Customer Service Department toll-free at 1-800-999-3756 to order a free replacement decal. Apply the decal in the location shown.



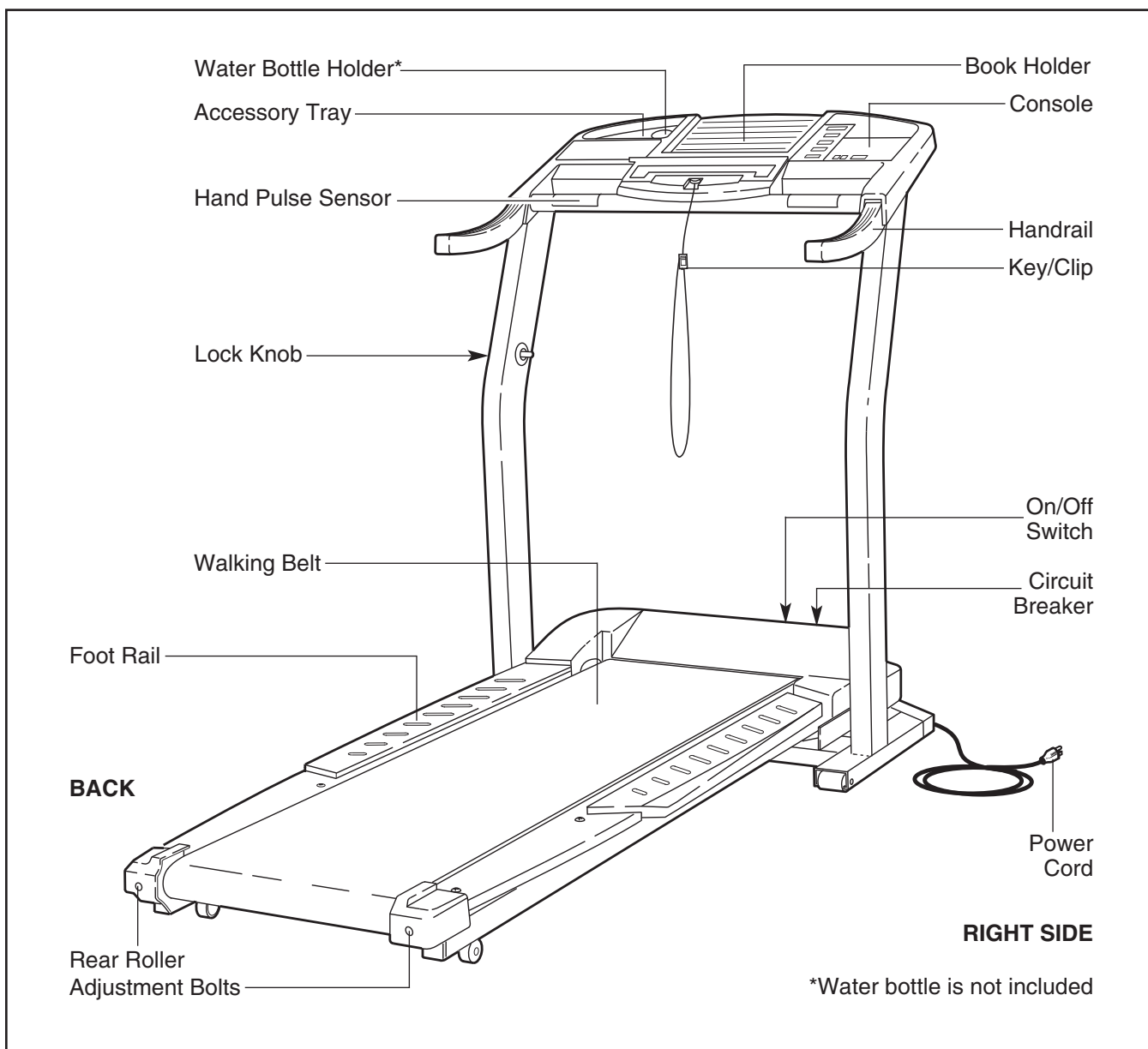
# BEFORE YOU BEGIN

Congratulations for purchasing the SOFTSTRIDER A60™ treadmill by HealthRider. The SOFTSTRIDER A60 treadmill offers an impressive array of features to help you achieve your fitness goals in the convenience and privacy of your home. From the advanced console to the cushioned walking platform, the SOFTSTRIDER A60 is designed to make each workout more effective and enjoyable. And when you're not exercising, the SOFTSTRIDER A60 can be folded away, taking less than half the space of conventional treadmills.

**For your benefit, read this manual carefully before using the SOFTSTRIDER A60 treadmill.** If you have

additional questions, please call our Customer Service Department toll-free at 1-800-999-3756, Monday through Friday, 6 a.m. until 6 p.m. Mountain Time (excluding holidays). To help us assist you, please note the product model number and serial number before calling. The model number is HRTL17981. The serial number can be found on a decal attached to the treadmill (see the front cover of this manual for the location).

Before reading further, please familiarize yourself with the parts that are labeled in the drawing below.



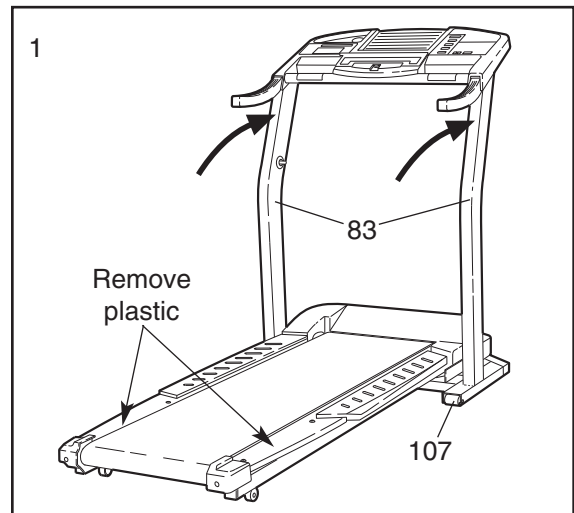
# ASSEMBLY

**Assembly requires two people.** Place the treadmill in a cleared area and remove all packing materials. Do not dispose of the packing materials until the treadmill is assembled. **No tools are required.**

Note: The underside of the treadmill walking belt is coated with high-performance lubricant. During shipping, a small amount of lubricant may be transferred to the top of the walking belt, the sides of the walking platform, or the shipping carton. This does not affect treadmill performance. If there is lubricant on top of the walking belt or on the sides of the walking platform, wipe off the lubricant with a soft cloth and a mild, non-abrasive cleaner.

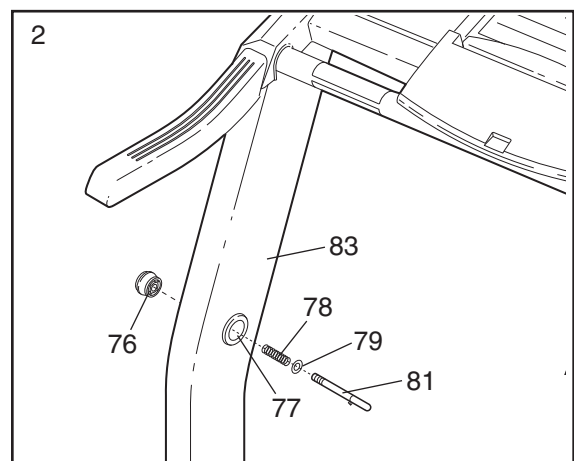
1. **With the help of a second person,** carefully raise the Uprights (83) until the Wheels (107) are resting on the floor as shown.

The stainless steel walking platform on your treadmill is covered with a thin layer of plastic to protect it during shipping. Before using the treadmill, peel the plastic off the walking platform.

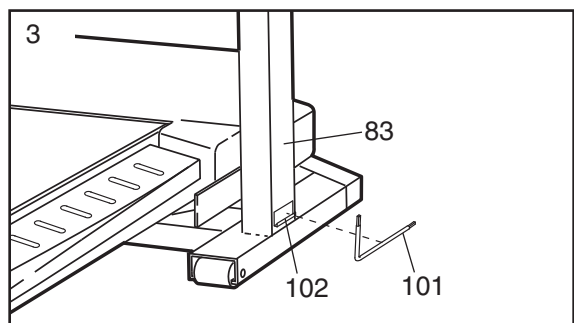


2. Next, make sure that the Lock Knob Sleeve (77) is fully inserted into the left Upright (83).

Remove the Lock Knob (76) from the Lock Pin (81). Make sure that the Lock Pin Collar (79) and the Spring (78) are on the Lock Pin. Insert the Lock Pin into the left Upright (83) and tighten the Lock Knob onto it.



3. Remove the paper backing from the Wrench Clip (102). Press the Wrench Clip onto one of the Uprights (83) in the indicated location. Press the Allen Wrench (101) into the Wrench Clip. Note: The use of the Allen Wrench is described on pages 18 and 19.



4. **Make sure that all parts are tightened before you use the treadmill. Place a mat beneath the treadmill to protect the floor or carpet.** For your benefit, we recommend that you familiarize yourself with the TROUBLE-SHOOTING AND MAINTENANCE section on page 18.

# GROUNDING INSTRUCTIONS

## THE PERFORMANT LUBE™ WALKING BELT

Your treadmill features a walking belt coated with PERFORMANT LUBE™, a high-performance lubricant. **IMPORTANT: Never apply silicone spray or other substances to the walking belt or the walking platform. Such substances will deteriorate the walking belt and cause excessive wear.**

## HOW TO PLUG IN THE POWER CORD

**⚠ DANGER:** Improper connection of the equipment-grounding conductor can result in an increased risk of electric shock. Check with a qualified electrician or serviceman if you are in doubt as to whether the product is properly grounded. Do not modify the plug provided with the product—if it will not fit the outlet, have a proper outlet installed by a qualified electrician.

Your treadmill, like any other type of sophisticated electronic equipment, can be seriously damaged by sudden voltage changes in your home's power. Voltage surges, spikes, and noise interference can result from weather conditions or from other appliances being turned on or off.

**To decrease the possibility of your treadmill being damaged, always use a surge protector (not included) with your treadmill.**

Surge protectors are sold at most hardware stores and department stores. Use only a UL-listed surge protector, rated at 15 amps, with a 14-gauge cord of five feet or less in length.

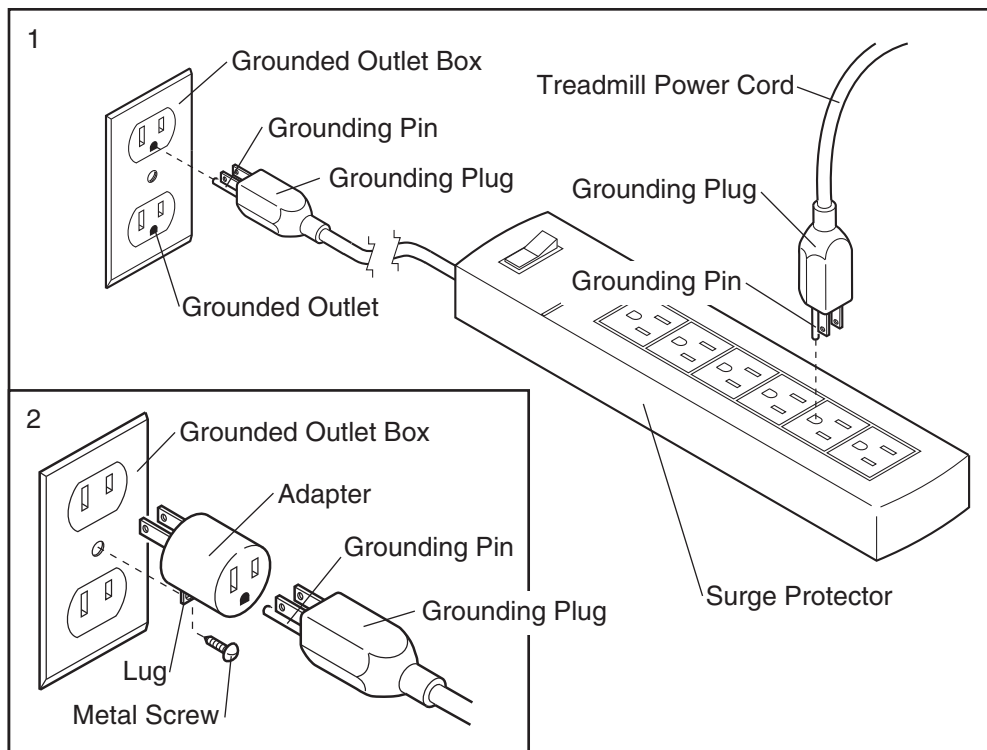
**This product must be grounded.** If it should malfunction or break down, grounding provides a path of least resistance for electric current to reduce the risk

of electric shock. This product is equipped with a cord having an equipment-grounding conductor and a grounding plug. **Plug the power cord into a surge protector, and plug the surge protector into an appropriate outlet that is properly installed and grounded in accordance with all local codes and ordinances.**

This product is for use on a nominal 120-volt circuit, and has a grounding plug that looks like the plug illustrated in drawing 1 below. A temporary adapter that looks like the adapter illustrated in drawing 2 may be used to connect the surge protector to a 2-pole receptacle as shown in drawing 2 if a properly grounded outlet is not available.

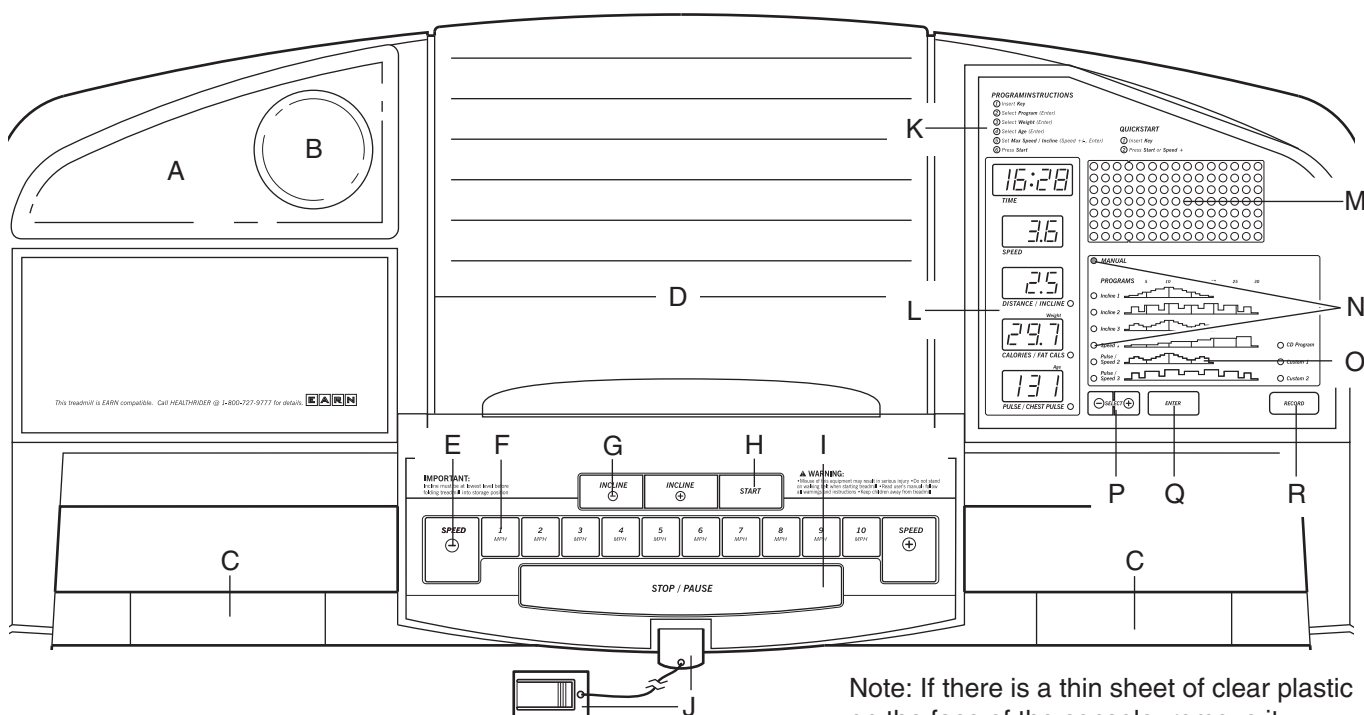
The temporary adapter should be used only until a properly grounded outlet (drawing 1) can be installed by a qualified electrician.

The green-colored rigid ear, lug, or the like extending from the adapter must be connected to a permanent ground such as a properly grounded outlet box cover. Whenever the adapter is used it must be held in place by a metal screw. **Some 2-pole receptacle outlet box covers are not grounded. Contact a qualified electrician to determine if the outlet box cover is grounded before using an adapter.**





# CONSOLE OPERATION



Note: If there is a thin sheet of clear plastic on the face of the console, remove it.

**CAUTION:** Before operating the console, read the following precautions.

- Do not stand on the walking belt when turning on the power or starting the walking belt.
- Always wear the clip (see J above) while operating the treadmill. If the key is pulled from

the console, the walking belt will stop.

- The treadmill is capable of high speeds; adjust the speed in small increments.
- To reduce the risk of electric shock, keep the console dry. Avoid spilling liquid on the console and use only a sealable water bottle.

## FEATURES OF THE CONSOLE

The advanced console offers an impressive array of features to make your workouts more enjoyable and effective. When the console is in the manual mode, the speed and incline of the treadmill can be changed with a touch of a button. As you exercise, the LED displays will provide continuous exercise feedback. And with the built-in hand pulse sensor, you can measure your heart rate before you begin exercising, during your workout, and again when you finish.

The console also offers six preset workout programs. Three programs automatically control the incline of the treadmill and three programs control the speed of the treadmill as they guide you through effective workouts. You can even create your own workout programs and store them in memory for future use.

In addition, three optional accessories add even more features to the console:

- The optional CD module enables the console to play specially-designed CD's that automatically adjust the speed and incline of the treadmill while a personal trainer coaches you through every step of your workout. High-energy music provides added motivation. The CD module comes complete with two CD workout programs and a set of high-quality hand weights for upper body exercise.
- The optional EARN Fitness Analysis module helps you see the rewards of your exercise program by calculating your body fat, measuring your cardiovascular strength, and determining your fitness age.
- An optional chest-worn pulse sensor continuously monitors your heart rate during your workouts, and adds two workout programs to the console—one program for intensive fat-burning, and one for maximum cardiovascular benefits.

See page 15 or call 1-800-727-9777 for more information.



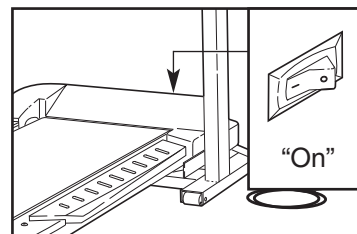
## DIAGRAM OF THE CONSOLE

Refer to the drawing at the top of page 8.

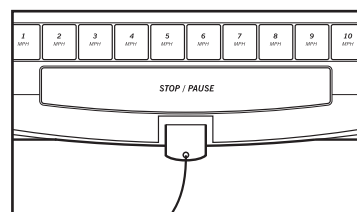
- A. Accessory Tray—Holds your personal items.
- B. Water Bottle Holder—Keeps your water bottle handy during your workouts.
- C. Hand Pulse Sensor—Allows you to measure your heart rate before you begin exercising, during your workouts, and again when you finish.
- D. Reading Rack—Allows you to enjoy your favorite magazine or read a book while you get in shape.
- E. SPEED Buttons—These buttons control the speed of the walking belt. Each time a button is pressed, the speed will change by 0.1 mph. If a button is held down, the speed will change in increments of 0.5 mph. The speed range is 0.5 mph to 10 mph. Note: The console can display speed and distance in either miles or kilometers (see HOW TO SELECT MILES PER HOUR AND KILOMETERS PER HOUR on page 11). For convenience, all instructions in this section refer to miles.
- F. QUICK SPEED Buttons—These buttons allow you to quickly select speed settings.
- G. INCLINE Buttons—These buttons control the incline of the treadmill. Each time a button is pressed, the incline will change by 0.5%. The incline range is 0% to 12%.
- H. START Button—This button starts the walking belt.
- I. STOP/PAUSE Button—This button stops the walking belt. When the button is pressed, the TIME, DISTANCE/INCLINE, and CALORIES/FAT CALORIES displays will pause. If the button is held down for two seconds, the displays will be reset.
- J. Key with Clip—The key turns the console on and off. The attached clip is designed to be worn on your waistband. If the key is pulled from the console, the power will automatically turn off.
- K. Operating Instructions—These instructions list the basic steps of console operation.
- L. LED Displays—The upper four displays provide continuous feedback of the elapsed time, speed, distance, incline, and the numbers of calories and fat calories you have burned. The lower display shows your heart rate when the hand pulse sensor or the optional chest pulse sensor is used.
- M. Program Display—This display shows your progress during workout programs, as well as upcoming incline or speed changes.
- N. MANUAL/Program Indicators—These indicators show when the manual mode is selected and when one of the workout programs is selected.
- O. Program Profiles—These profiles show how the incline or speed of the treadmill will change during workout programs. During the Incline 1 program, for example, the profile shows that the incline will gradually increase during the first half of the program, and then gradually decrease during the last half.
- P. SELECT Buttons—These buttons are used to make various selections on the console. Note: The CD Program can be selected only when the optional CD module is installed (see page 15).
- Q. ENTER Button—This button is used to enter selections.
- R. RECORD Button—This button is used to program the Custom 1 and Custom 2 programs.

## HOW TO TURN ON THE POWER

Make sure that the on/off switch, located on the front of the treadmill, is in the "on" position. Next, make sure that the power cord is properly plugged in (see page 7).



Step onto the foot rails of the treadmill. Find the clip attached to the key, and slide the clip onto the waistband of your clothing. Next, insert the key fully into the console. The MANUAL indicator will begin to flash; all other indicators and displays will remain dark.



## HOW TO USE THE MANUAL MODE

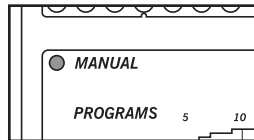
### 1 Insert the key into the console.

See HOW TO TURN ON THE POWER on page 9.

**Note:** When you are familiar with the console, you may go directly to step 5. While learning to use the console, please read all steps.

### 2 Select the MANUAL mode.

When the key is inserted, the MANUAL indicator will begin to flash. (Note: If a program has been selected, hold down the STOP/PAUSE button for two seconds until the MANUAL indicator is flashing.) To select the manual mode, press the ENTER button while the MANUAL indicator is flashing.



### 3 Enter your weight if desired.

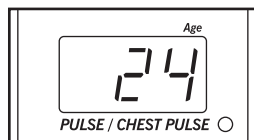
When the manual mode is selected, the TIME display will light and a weight setting will begin to flash in the CALORIES/FAT CALORIES display. If you enter your weight into the console, the CALORIES/FAT CALORIES display will be more accurate.



If you do not want to enter your weight, press the ENTER button. To enter your weight, press the SELECT buttons. Each time a button is pressed, the weight setting will change by 1 pound. If a button is held down, the weight setting will change in increments of 5 pounds. When the correct weight is shown, press the ENTER button. Once your weight is entered, it will be saved in memory.

### 4 Enter your age if desired.

After a weight setting is entered, an age setting will begin to flash in the PULSE display. It is not necessary to enter your age unless you use the optional chest pulse sensor and pulse programs.



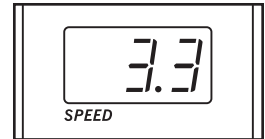
If you do not want to enter your age, press the ENTER button. If you want to enter your age, press the SELECT buttons. Each time a button is pressed, the age setting will change by 1 year. If a button is held down, the age setting will change in

increments of 5 years. When the correct age is shown, press the ENTER button. Once your age is entered, it will be saved in memory.

### 5 Press the START button or the SPEED + button to start the walking belt.

A moment after the button is pressed, the walking belt will begin to move at 1.0 mph. Hold the handrails and begin walking. As you exercise, change the speed of the walking belt as desired by pressing the SPEED buttons or the QUICK SPEED buttons.

**CAUTION:** Change the speed in small increments to avoid sudden jumps in speed.

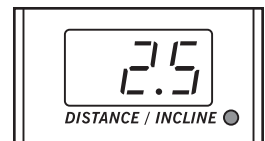


To stop the walking belt for a moment, press the STOP/PAUSE button. The displays will pause and the TIME display will begin to flash. To restart the walking belt, press the START button or the SPEED + button. Note: To stop the walking belt and reset all displays, hold down the STOP/PAUSE button for two seconds. The console will then be in the same state as if the key had just been inserted.

Note: When one of the SPEED buttons is pressed, the SPEED display will show the selected speed setting for seven seconds. The display will then show the actual speed of the walking belt.

### 6 Adjust the incline as desired.

To vary the intensity of your exercise, the incline of the treadmill can be changed with the INCLINE buttons. Each time a button is pressed, the incline will change by 0.5%. The incline range is 0% to 12%. Note: When one of the INCLINE buttons is pressed, the DISTANCE/INCLINE display will show the incline setting for seven seconds. After the INCLINE buttons are pressed, it may take a moment for the treadmill to reach the selected incline setting.

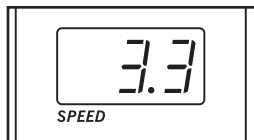


### 7 Follow your progress with the LED displays.

**TIME display**—This display shows the total time that the walking belt has been moving. Note: When a workout program is selected, this display will show the time remaining in the program.

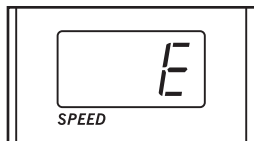


**SPEED display**—This display shows the speed of the walking belt, in miles per hour or kilometers per hour.



**How to select miles per hour and kilometers per hour:**

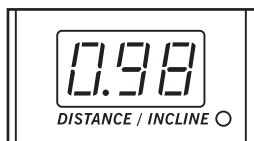
Hold down the STOP/PAUSE button while inserting the key into the console. An "E" (for english miles) or an "M" (for metric kilometers) will appear in the SPEED display. Press the SPEED + button to change the unit of measurement. Remove and then reinsert the key.



**DISTANCE/INCLINE display**

—This display shows the distance that the walking belt has moved and the incline level of the treadmill.

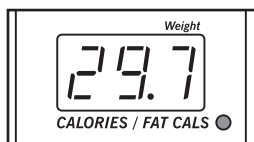
Every seven seconds, the display will change from one number to the other. The INCLINE indicator will light when the incline is shown. Note: If the speed is shown in mph, the distance will be shown in miles. If the speed is shown in kph, the distance will be shown in kilometers.



**CALORIES/FAT CALORIES display**

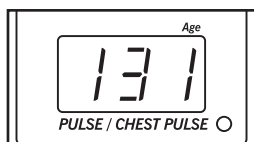
—This display shows the numbers of *calories* and *fat calories* you have burned. (See page 20.)

Every seven seconds, the display will change from one number to the other. The FAT CALS. indicator will light when the number of fat calories is shown.



**PULSE display**

—This display shows your heart rate when the hand pulse sensor or the optional chest pulse sensor is used (see HOW TO USE THE HAND PULSE SENSOR on page 16). If the optional chest pulse sensor is worn, the CHEST PULSE indicator will light.



**8 When you are finished exercising, stop the walking belt and remove the key.**

Step onto the foot rails and press the STOP/PAUSE button. Next, change the incline of the treadmill to 0%. **The incline must be at 0% when the treadmill is folded to the storage position or the treadmill will be damaged.** Remove the key from the console and put it in a secure place. Move the on/off switch to the "off" position (see page 9).

**HOW TO USE THE INCLINE PROGRAMS AND THE SPEED PROGRAMS**

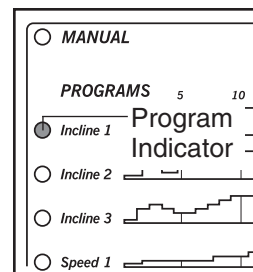
The Incline 1, Incline 2, and Incline 3 programs automatically control the incline of the treadmill as they guide you through effective workouts; the Speed 1, Speed 2, and Speed 3 programs automatically control the speed of the treadmill. (Note: If the optional chest pulse sensor is used, the Speed 2 and Speed 3 programs become pulse programs—refer to the instructions accompanying the chest pulse sensor.) Follow the steps below to use an Incline program or a Speed program.

**1 Insert the key fully into the console.**

See HOW TO TURN ON THE POWER on page 9.

**2 Select the desired program.**

To select a program, the **MANUAL** indicator or a program indicator must be flashing. If necessary, hold down the STOP/PAUSE button for two seconds until the MANUAL indicator is flashing. Next, press the **SELECT + or - button** repeatedly until the Incline 1, Incline 2, Incline 3, Speed 1, Speed 2, or Speed 3 program indicator is flashing. Then, press the ENTER button. A profile of the program you have selected will appear in the program display.



**Note: When you are familiar with the console, you may go directly to step 6. While learning to use the console, please read all steps.**

**3 Enter your weight if desired.**

When a program is selected, a weight setting will begin to flash in the CALORIES/FAT CALORIES display. If your weight is entered into the console, the CALORIES/FAT CALORIES display will be more accurate.



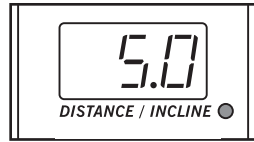
If you do not want to enter your weight, or if you have already entered your weight, press the ENTER button. If you want to enter your weight, press the SELECT buttons. When the correct weight is shown, press the ENTER button.

#### 4 Enter your age if desired.

See step 4 on page 10.

#### 5 Adjust the maximum incline or speed setting.

**If you selected the Incline 1, Incline 2, or Incline 3 program:** After an age setting is entered, a number will begin to flash in the DISTANCE/ INCLINE display. This number shows the *maximum incline* that the treadmill will reach during the program. The maximum incline setting can be from 4% to 12%. If you want to adjust the maximum incline setting, press the SELECT buttons. Then, press the ENTER button.



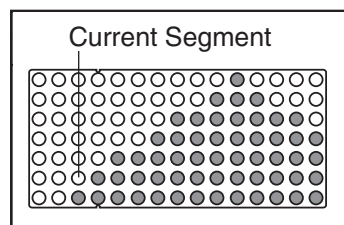
**If you selected the Speed 1, Speed 2, or Speed 3 program:** After an age setting is entered, a number will begin to flash in the SPEED display. This number shows the *maximum speed* that the walking belt will reach during the program. The maximum speed setting can be from 4 mph to 10 mph. If you want to change the maximum speed setting, press the SELECT buttons. Then, press the ENTER button.



#### 6 Press the START button or the SPEED + button to start the walking belt.

A moment after the button is pressed, the walking belt will begin to move. (If an incline program is selected, the treadmill will also adjust to the first incline setting of the program, unless it is already at the first incline setting.) Hold the handrails and begin walking.

Each program is either twenty minutes or thirty minutes long. Twenty-minute programs are divided into twenty 60-second segments; thirty-minute programs are divided into twenty 90-second segments. If an incline program is selected, one incline setting is programmed for each segment; if a speed program is selected, one speed setting is programmed for each segment. The incline or speed setting of the first segment will be shown in the flashing current segment column of the program display. The



incline or speed settings of the next twelve segments will be shown in the twelve columns to the right.

When only three seconds remain in the first segment of the program, both the current segment column and the column to the right will flash. When the first segment is completed, a series of tones will sound and all incline or speed settings will move one column to the left. The incline or speed setting of the second segment will then be shown in the current segment column, and the incline or speed of the treadmill will adjust to that setting. The program will continue in this way until all twenty segments are completed.

If an incline program is selected, the speed of the treadmill can be changed at any time with the SPEED buttons. If a speed program is selected, the incline of the treadmill can be changed at any time with the INCLINE buttons.

The TIME display will show the time remaining in the program. When no time remains, the walking belt will slow to a stop and the program will be completed.

Note: If the program is too easy or too difficult, the incline or speed setting of the current segment can be adjusted with the INCLINE or SPEED buttons. To stop the program for a moment, press the STOP/ PAUSE button. The displays will pause and the TIME display will begin to flash. To restart the program, press the START button or the SPEED + button. To end the program at any time, hold down the STOP/PAUSE button for two seconds. The console will then be in the same state as if the key had just been inserted.

#### 7 Follow your progress with the LED displays.

See step 7 on page 10.

#### 8 When you are finished exercising, remove the key.

Make sure that the incline of the treadmill is at 0%. **The incline must be at 0% when the treadmill is folded to the storage position or the treadmill will be damaged.** Remove the key from the console and put it in a secure place. In addition, move the on/off switch to the "off" position (see page 9).



## HOW TO PROGRAM THE CUSTOM 1 AND CUSTOM 2 PROGRAMS

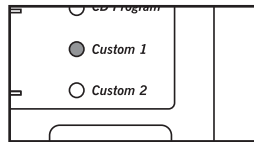
The Custom 1 and Custom 2 programs are workout programs that you create. The programs control both the speed and the incline of the treadmill, and can be up to forty minutes long. The programs are stored in memory, and can be changed as many times as desired. Follow the steps below to create a program.

### 1 Insert the key fully into the console.

See HOW TO TURN ON THE POWER on page 9.

### 2 Select the Custom 1 or Custom 2 program.

To select the Custom 1 or Custom 2 program, the MANUAL indicator or a program indicator must be flashing. If necessary, hold down the

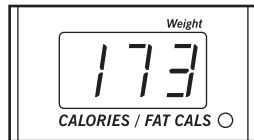


STOP/PAUSE button for two seconds until the MANUAL indicator is flashing. Next, press the SELECT + or - button repeatedly until the Custom 1 or Custom 2 program indicator is flashing. Then, press the ENTER button. Indicators will appear at the bottom of the program display.

**Note:** When you are familiar with the console, you may go directly to step 5. While learning to use the console, please read all steps.

### 3 Enter your weight if desired.

When the Custom 1 or Custom 2 program is selected, a weight setting will begin to flash in the CALORIES/FAT CALORIES display. If your weight is entered into the console, the CALORIES/FAT CALORIES display will be more accurate.



If you do not want to enter your weight, or if you have already entered your weight, press the ENTER button. If you want to enter your weight, press the SELECT buttons. When the correct weight is shown, press the ENTER button.

### 4 Enter your age if desired.

See step 4 on page 10.

### 5 Press the START button or the SPEED + button.

A moment after the button is pressed, the walking

belt will begin to move. Hold the handrails and begin walking.

### 6 Press the RECORD button and program the desired speed and incline settings.

When the RECORD button is pressed, the Custom 1 or Custom 2 indicator will begin to flash rapidly. **Speed and incline settings can be programmed only when the indicator is flashing rapidly.**

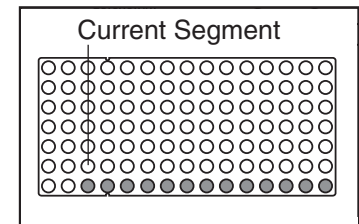
Each program is divided into one-minute segments. One speed setting and one incline setting can be programmed for each segment. The speed setting of the first segment is shown in the flashing

current segment column of the program display. (The incline settings are not

shown in the program display.) To program speed and incline

settings for the first segment, simply adjust the speed and incline of the treadmill to the desired levels with the SPEED and INCLINE buttons.

Every few times the SPEED buttons are pressed, one additional indicator will light or darken in the current segment column.



When the first segment is completed, a series of tones will sound and the current speed and incline settings will be stored in memory. All settings shown in the program display will then move one column to the left, and the speed setting of the second segment will be shown in the current segment column. Program speed and incline settings for the second segment as described above. Repeat this procedure until you have programmed speed and incline settings for as many segments as desired. Programs can have up to forty segments.

**Note:** To stop the program for a moment, press the STOP/PAUSE button. The displays will pause and the TIME display will begin to flash. To restart the program, press the START or SPEED + button.

### 7 Hold down the STOP/PAUSE button for two seconds.

When you have programmed speed and incline settings for as many one-minute segments as desired, hold down the STOP/PAUSE button for two seconds. The speed and incline settings that you have programmed and the length of the program will be stored in memory. To use the program again, see HOW TO USE THE CUSTOM 1 AND CUSTOM 2 PROGRAMS on page 14.

## 8 When the program is completed, remove the key.

Make sure that the incline of the treadmill is at 0%. **The incline must be at 0% when the treadmill is folded to the storage position or the treadmill will be damaged.** Remove the key from the console and put it in a secure place. In addition, move the on/off switch to the "off" position (see page 9).

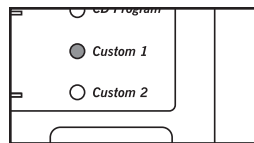
### HOW TO USE THE CUSTOM 1 AND CUSTOM 2 PROGRAMS

#### 1 Insert the key fully into the console.

See HOW TO TURN ON THE POWER on page 9.

#### 2 Select the Custom 1 or Custom 2 program.

To select the Custom 1 or Custom 2 program, the **MANUAL** indicator or a program indicator must be flashing. If necessary, hold down the STOP/PAUSE button for two seconds until the MANUAL indicator is flashing. Next, **press the SELECT + or – button** repeatedly until the Custom 1 or Custom 2 program indicator is flashing. Then, press the ENTER button. A profile of the program you have selected will appear in the program display.



**Note:** When you are familiar with the console, you may go directly to step 5. While learning to use the console, please read all steps.

#### 3 Enter your weight if desired.

See step 3 on page 13.

#### 4 Enter your age if desired.

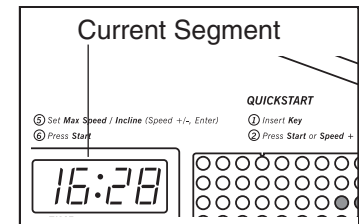
See step 4 on page 10.

#### 5 Press the START button or the SPEED + button.

A moment after the button is pressed, the walking belt will begin to move. Hold the handrails and begin walking.

Each program is divided into one-minute segments. One speed setting and one incline setting are programmed for each segment. The speed setting of the first segment is shown in the flashing current segment column of the program display. (The incline setting is not shown in the program display.)

When only three seconds remain in the first segment of the program, both the current segment column and the column to the right will flash.



When the first segment is completed, a series of tones will sound and all speed settings will move one column to the left. The speed setting of the second segment will then be shown in the current segment column, and the incline and speed of the treadmill will adjust to the second settings that you programmed previously. The program will continue in this way until all segments are completed and no time remains in the TIME display. The walking belt will then slow to a stop and the program will be completed.

**Note:** To stop the program for a moment, press the STOP/PAUSE button. The displays will pause and the TIME display will begin to flash. To restart the program, press the START button or the SPEED + button. To end the program at any time, hold down the STOP/PAUSE button for two seconds. The console will then be in the same state as if the key had just been inserted.

**Note:** During the program, the speed and incline settings of the current segment can be adjusted with the SPEED and INCLINE buttons. Adjustments will not be stored in memory. To **reprogram** speed and incline settings, press the RECORD button. The Custom 1 or Custom 2 indicator will begin to flash rapidly. **Speed and incline settings can be reprogrammed only when the indicator is flashing rapidly.** Next, adjust the speed and incline of the treadmill with the SPEED and INCLINE buttons. *When the current segment of the program is completed, the new speed and incline settings will be stored in memory. When you have reprogrammed speed and incline settings for as many segments as desired, press the RECORD button again.*

#### 6 Follow your progress with the five displays.

Refer to step 7 on page 10.

#### 7 When the program is completed, remove the key.

Make sure that the incline of the treadmill is at 0%. **The incline must be at 0% when the treadmill is folded to the storage position or the treadmill will be damaged.** Remove the key from the console and put it in a secure place. In addition, move the on/off switch to the "off" position (see page 9).

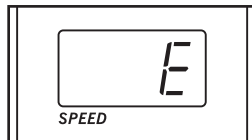
## THE INFORMATION MODE

The console features an information mode that keeps track of the total time and distance accumulated on the treadmill. The information mode also allows you to switch the console from miles per hour to kilometers per hour. To select the information mode, hold down the STOP/PAUSE button while inserting the key into the console. When the information mode is selected, the following information will be shown:

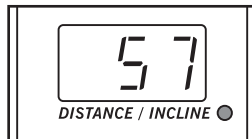
The TIME display will show the total number of hours that the treadmill has been used.



The SPEED display will show an "E" (for english miles) or an "M" (for metric kilometers). To change, press the SPEED + button.



The DISTANCE/INCLINE display will show the total number of miles that the walking belt has moved.



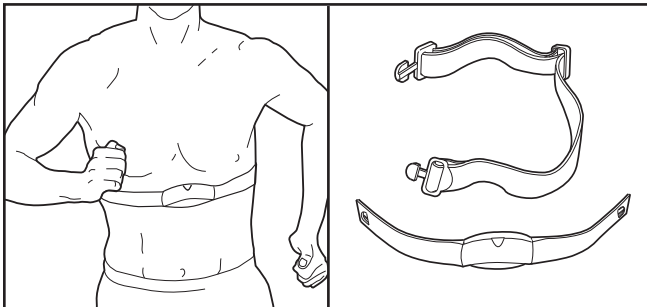
To exit the information mode, remove the key.

## OPTIONAL ACCESSORIES

Three optional accessories add even more features to the treadmill console. To order accessories, refer to the literature accompanying this manual or **call toll-free 1-800-727-9777**.

### CHEST PULSE SENSOR

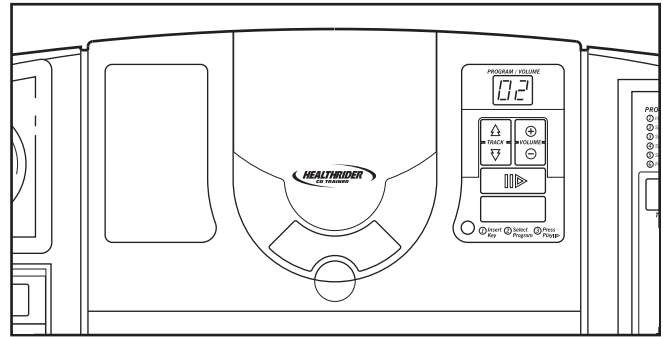
The optional chest pulse sensor adds even more features to the console. The chest pulse sensor continuously monitors your heart rate during your workouts,



and adds two workout programs to the console—one program for intensive fat-burning, and one for maximum cardiovascular benefits.

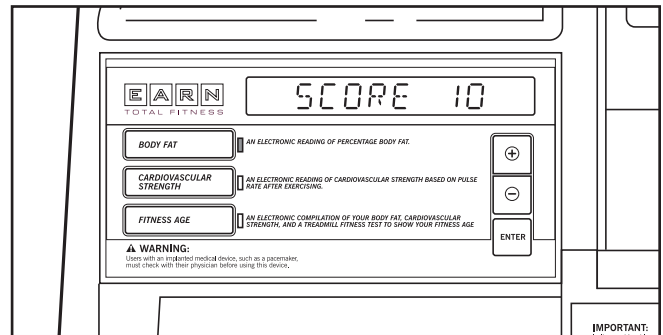
## CD MODULE WITH CD COACH™ TECHNOLOGY

The state-of-the-art CD module attaches to the center of the console, enabling the console to play specially-designed CD's that automatically adjust the speed and incline of the treadmill while a personal trainer coaches you through every step of your workout. High-energy music provides added motivation. The CD module comes complete with two CD workout programs and a set of high-quality hand weights for upper body exercise.



## EARN FITNESS ANALYSIS MODULE

The revolutionary EARN Fitness Analysis module plugs into the left side of the console. The module helps you see your progress by calculating your body fat, measuring your cardiovascular strength, and determining your fitness age.



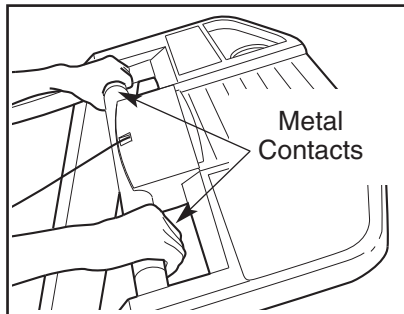


# HOW TO USE THE HAND PULSE SENSOR

The convenient hand pulse sensor allows you to measure your heart rate before you begin exercising, during your workout, and again when you finish.

To use the hand pulse sensor, the console must be turned on (see HOW TO TURN ON THE POWER on page 9). In addition, the walking belt must be moving or the TIME display must be flashing (see step 5 on page 10).

To measure your heart rate, stand on the foot rails and place your hands on the metal contacts as shown. Your palms must be resting on the upper contacts,



and your fingers must be touching the lower contacts. Avoid moving your hands. After about 5 to 60 seconds, your heart rate will be shown in the PULSE display. (Due to physical differences between users, the time will vary from user to user.) Note: The CHEST PULSE indicator next to the PULSE display will light only when the optional chest pulse sensor is used.

## HAND PULSE SENSOR TROUBLE-SHOOTING

- Stand on the foot rails and avoid moving your hands while measuring your heart rate. Excessive movement may interfere with heart rate readings. If the hand pulse sensor is not used correctly, your heart rate will not be shown.
- Do not hold the metal contacts too tightly; doing so may interfere with heart rate readings.
- Continue to hold the contacts for about 5 to 60 seconds for the most accurate heart rate reading. (Due to physical differences between users, the time will vary from user to user.)
- For optimal performance of the hand pulse sensor, keep the metal contacts clean. The contacts can be cleaned with a soft cloth—never use alcohol, abrasives, or chemicals.

# HOW TO FOLD AND MOVE THE TREADMILL

## HOW TO FOLD THE TREADMILL FOR STORAGE

Before folding the treadmill, adjust the incline to the lowest position. If this is not done, the treadmill may be permanently damaged. Next, unplug the power cord. **Caution: You must be able to safely lift 45 pounds (20 kg) in order to raise, lower, or move the treadmill.**

1. Hold the treadmill in the locations shown at the right. **To decrease the possibility of injury, bend your legs and keep your back straight. As you raise the treadmill, make sure to lift with your legs rather than your back.** Raise the treadmill about halfway to the vertical position.

2. Move your right hand to the position shown and hold the treadmill firmly. Using your left hand, pull the lock knob to the left and hold it. Raise the treadmill until all parts of the treadmill are past the latch pin. Release the lock knob. **Make sure that the lock knob is fully released so the latch pin is securely holding the catch.**

**To protect the floor or carpet from damage, place a mat under the treadmill. Keep the treadmill out of direct sunlight. Do not leave the treadmill in the storage position in temperatures above 85° Fahrenheit.**

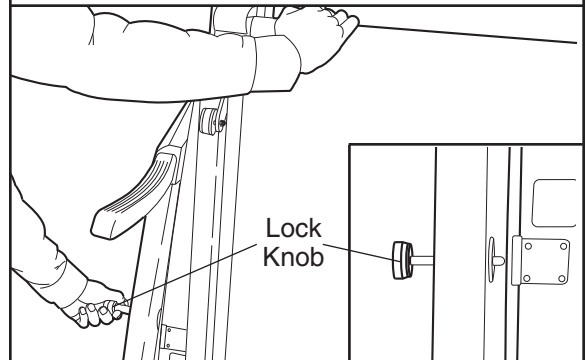
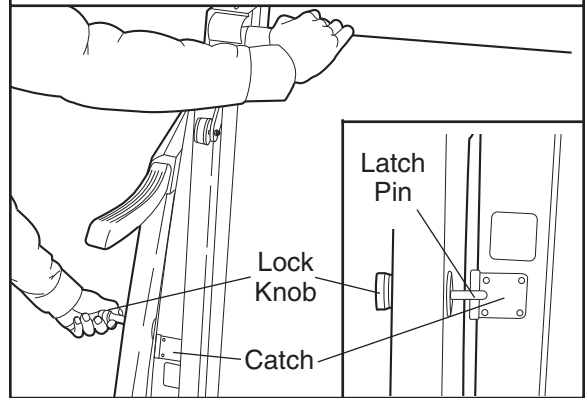
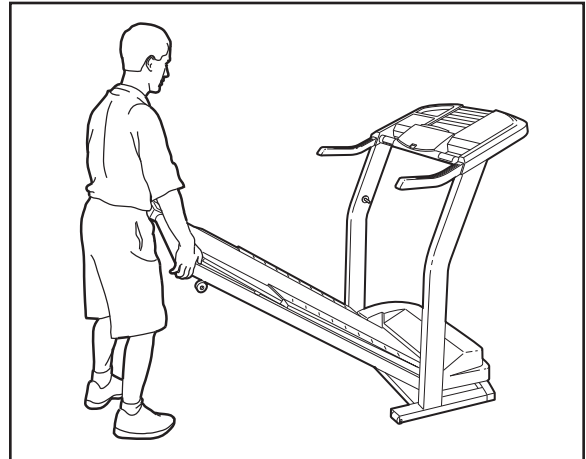
## HOW TO MOVE THE TREADMILL

Before moving the treadmill, convert the treadmill to the storage position as described above. **Make sure that the latch pin is securely holding the catch.**

1. Hold the handrails and place one foot on the base.
2. Tilt the treadmill back until it rolls freely on the wheels. Carefully move the treadmill to the desired location. **To reduce the risk of injury, use extreme caution while moving the treadmill. Do not attempt to move the treadmill over an uneven surface.**
3. Place one foot on the base, and carefully lower the treadmill until it is resting in the storage position.

## HOW TO LOWER THE TREADMILL FOR USE

1. Hold the treadmill with your right hand as shown. Using your left hand, pull the lock knob to the left and hold it. Pivot the treadmill down until all parts of the treadmill are past the pin. Slowly release the lock knob.
2. See the drawing at the top of this page. Hold the treadmill firmly with both hands, and lower the treadmill to the floor. **To decrease the possibility of injury, bend your legs and keep your back straight.**



# TROUBLE-SHOOTING AND MAINTENANCE

Most treadmill problems can be solved by following the instructions below. If further assistance is needed, please call our Customer Service Department toll-free at 1-800-999-3756, Monday through Friday, 6 a.m. until 6 p.m. Mountain Time (excluding holidays).

## PROBLEM

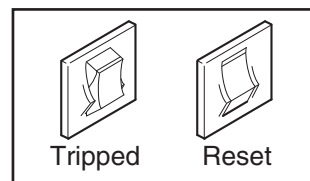
## SOLUTION

### 1. The power does not turn on

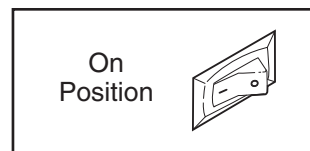
a. Make sure that the power cord is plugged into a surge protector, and that the surge protector is plugged into a properly grounded outlet. (See page 7.) Use only a UL-listed surge protector, rated at 15 amps, with a 14-gauge cord of five feet or less in length.

b. Make sure that the key is fully inserted into the console.

c. Check the circuit breaker located on the frame near the power cord. If the switch protrudes as shown, the circuit breaker has tripped. To reset the circuit breaker, wait for five minutes and then press the switch back in.



d. Check the on/off switch located on the frame near the power cord. The switch must be in the on position.



### 2. The power turns off during use

a. Check the circuit breaker (see c. above). If the circuit breaker has tripped, wait for five minutes and then press the switch back in.

b. Make sure that the power cord is plugged in.

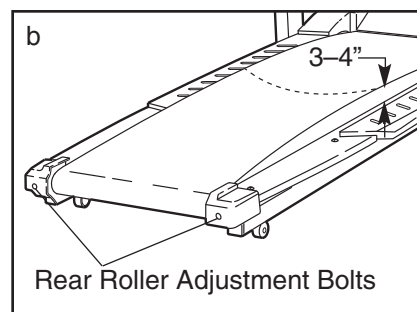
c. Remove the key from the console and then reinsert it.

d. Make sure that the on/off switch is in the on position (see d. above).

### 3. The walking belt slows when walked on

a. Use only a UL-listed surge protector, rated at 15 amps, with a 14-gauge cord of five feet or less in length.

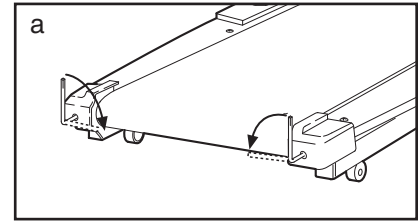
b. If the walking belt is overtightened, treadmill performance may decrease and the walking belt may be permanently damaged. Remove the key and **UNPLUG THE POWER CORD**. Using the included allen wrench, turn both rear roller adjustment bolts counterclockwise 1/4 of a turn. When the walking belt is properly tightened, you should be able to lift **the edges** of the walking belt 3 to 4 inches off the walking platform. Be careful to keep the walking belt centered. Plug in the power cord, insert the key and run the treadmill for a few minutes. Repeat until the walking belt is properly tightened.



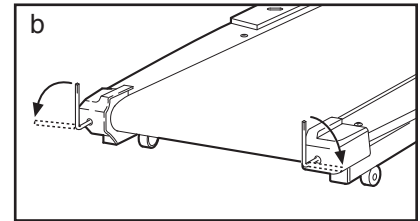
c. If the walking belt still slows when walked on, call our Customer Service Department toll-free.

**PROBLEM****SOLUTION****4. The walking belt is off-center or slips when walked on**

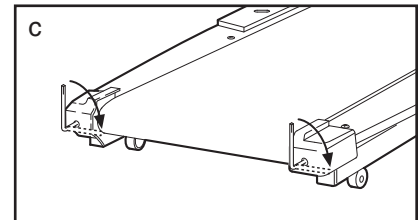
- a. **If the walking belt has shifted to the left**, first remove the key and **UNPLUG THE POWER CORD**. Using the allen wrench, turn the left rear roller adjustment bolt clockwise, and the right bolt counterclockwise, 1/4 of a turn each. Be careful not to overtighten the walking belt. Plug in the power cord, insert the key and run the treadmill for a few minutes. Repeat until the walking belt is centered.



- b. **If the walking belt has shifted to the right**, first remove the key and **UNPLUG THE POWER CORD**. Using the allen wrench, turn the left rear roller adjustment bolt counterclockwise, and the right bolt clockwise, 1/4 of a turn each. Be careful not to overtighten the walking belt. Plug in the power cord, insert the key and run the treadmill for a few minutes. Repeat until the walking belt is centered.



- c. **If the walking belt slips when walked on**, first remove the key and **UNPLUG THE POWER CORD**. Using the allen wrench, turn both rear roller adjustment bolts clockwise, 1/4 of a turn. When the walking belt is correctly tightened, you should be able to lift **the edges** of the walking belt 3 to 4 inches off the walking platform. Be careful to keep the walking belt centered. Plug in the power cord, insert the key and run the treadmill for a few minutes. Repeat until the walking belt is properly tightened.

**5. The stainless steel cover needs to be cleaned**

- a. The stainless steel walking platform can be cleaned with a stainless steel cleaner or mild soap and water and a soft cloth. Never use solvents or abrasive cleaners.

# CONDITIONING GUIDELINES

**⚠️ WARNING:** Before beginning this or any exercise program, consult your physician. This is especially important for individuals over the age of 35 or individuals with pre-existing health problems.

The pulse sensor is not a medical device. Various factors, including your movement, may affect the accuracy of heart rate readings. The sensor is intended only as an exercise aid in determining heart rate trends in general.

The following guidelines will help you to plan your exercise program. Remember—these are general guidelines only. For more detailed exercise information, obtain a reputable book or consult your physician.

## EXERCISE INTENSITY

Whether your goal is to burn fat or to strengthen your cardiovascular system, the key to achieving the desired results is to exercise with the proper intensity. The proper intensity level can be found by using your heart rate as a guide. The chart below shows recommended heart rates for fat burning and aerobic exercise.

HEART RATE TRAINING ZONES								
AEROBIC	165	155	145	140	130	125	115	
MAX FAT BURN	145	138	130	125	118	110	103	
FAT BURN	125	120	115	110	105	95	90	
Age	20	30	40	50	60	70	80	

To find the proper heart rate for you, first find your age near the bottom of the chart (ages are rounded off to the nearest ten years). Next, find the three numbers above your age. The three numbers define your “training zone.” The lower two numbers are recommended heart rates for fat burning; the higher number is the recommended heart rate for aerobic exercise.

To measure your heart rate during exercise, use the hand pulse sensor. If your heart rate is too high or too low, adjust the speed and incline of the treadmill.

## Fat Burning

To burn fat effectively, you must exercise at a relatively low intensity level for a sustained period of time. During the first few minutes of exercise, your body uses easily accessible *carbohydrate calories* for en-

ergy. Only after the first few minutes does your body begin to use stored *fat calories* for energy. If your goal is to burn fat, adjust the speed and incline of the treadmill until your heart rate is near the lowest number in your training zone.

For maximum fat burning, adjust the speed and incline of the treadmill until your heart rate is near the middle number in your training zone.

## Aerobic Exercise

If your goal is to strengthen your cardiovascular system, your exercise must be “aerobic.” Aerobic exercise is activity that requires large amounts of oxygen for prolonged periods of time. This increases the demand on the heart to pump blood to the muscles, and on the lungs to oxygenate the blood. For aerobic exercise, adjust the speed and incline of the treadmill until your heart rate is near the highest number in your training zone.

## WORKOUT GUIDELINES

Each workout should include the following three parts:

**A Warm-up**—Start each workout with 5 to 10 minutes of stretching and light exercise. A proper warm-up increases your body temperature, heart rate and circulation in preparation for exercise.

**Training Zone Exercise**—After warming up, increase the intensity of your exercise until your pulse is in your training zone for 20 to 60 minutes. (During the first few weeks of your exercise program, do not keep your pulse in your training zone for longer than 20 minutes.) Breathe regularly and deeply as you exercise—never hold your breath.

**A Cool-down**—Finish each workout with 5 to 10 minutes of stretching to cool down. This will increase the flexibility of your muscles and will help prevent post-exercise problems.

## Exercise Frequency

To maintain or improve your condition, complete three workouts each week, with at least one day of rest between workouts. After a few months, you may complete up to five workouts each week if desired.

The key to success is to make exercise a regular and enjoyable part of your everyday life.

## SUGGESTED STRETCHES

The correct form for several basic stretches is shown at the right. Move slowly as you stretch—never bounce.

### 1. Toe Touch Stretch

Stand with your knees bent slightly and slowly bend forward from your hips. Allow your back and shoulders to relax as you reach down toward your toes as far as possible. Hold for 15 counts, then relax. Repeat 3 times. Stretches: Hamstrings, back of knees and back.

### 2. Hamstring Stretch

Sit with one leg extended. Bring the sole of the opposite foot toward you and rest it against the inner thigh of your extended leg. Reach toward your toes as far as possible. Hold for 15 counts, then relax. Repeat 3 times for each leg. Stretches: Hamstrings, lower back and groin.

### 3. Calf/Achilles Stretch

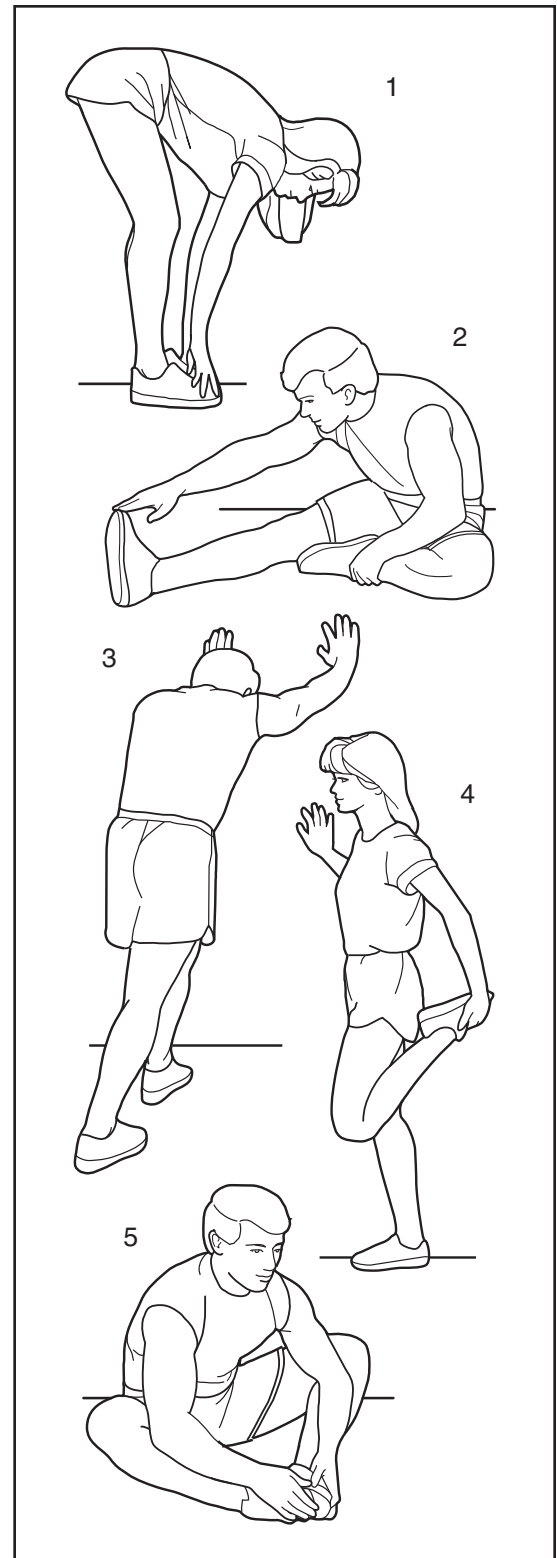
With one leg in front of the other, reach forward and place your hands against a wall. Keep your back leg straight and your back foot flat on the floor. Bend your front leg, lean forward and move your hips toward the wall. Hold for 15 counts, then relax. Repeat 3 times for each leg. To cause further stretching of the achilles tendons, bend your back leg as well. Stretches: Calves, achilles tendons and ankles.

### 4. Quadriceps Stretch

With one hand against a wall for balance, reach back and grasp one foot with your other hand. Bring your heel as close to your buttocks as possible. Hold for 15 counts, then relax. Repeat 3 times for each leg. Stretches: Quadriceps and hip muscles.

### 5. Inner Thigh Stretch

Sit with the soles of your feet together and your knees outward. Pull your feet toward your groin area as far as possible. Hold for 15 counts, then relax. Repeat 3 times. Stretches: Quadriceps and hip muscles.





# PART LIST—Model No. HRTL17981

R0599A

To locate the parts listed below, refer to the EXPLODED DRAWING attached in the center of this manual.

Key No.	Qty.	Description	Key No.	Qty.	Description
1	1	Left Foot Rail	51	1	Cable Tie Clamp
2	1	Walking Platform Cover	52	1	8" Cable Tie
3	8	Platform Screw	53	1	4" Cable Tie
4	1	Metal Sheet	54	6	Belt Guide Screw
5	3	Front Motor Hood Screw	55	2	Belt Guide
6	1	Motor Hood	56	6	Isolator
7	1	Motor Belt	57	1	Frame
8*	1	Motor Assembly	58	2	Rear Wheel
9	1	Motor Pulley/Flywheel	59	2	Rear Wheel Bolt
10	1	Motor	60	2	Rear Wheel Nut
11	4	Motor Bolt	61	1	Rear Roller
12	2	Motor Tension Bolt	62	1	Right Rear Endcap
13	4	Motor Tension Washer	63	2	Rear Roller Adjustment
14	2	Motor Star Washer	64	1	Left Rear Endcap
15	1	Motor Pivot Nut	65	1	Motor Bracket
16	2	Motor Tension Nut	66	1	Latch Catch
17	4	Motor Nut	67	8	Nylon Washer
18	1	Motor Pivot Bolt	68	1	Walking Platform
19	3	Reed Switch Screw	69	1	Right Foot Rail
20	1	Reed Switch/Sensor Wire	70	1	Magnet
21	2	Lift Frame Spacer	71	1	Front/Roller Pulley
22	6	Frame Pivot Nut	72	1	Walking Belt
23	1	Reed Switch Clip	73	2	Handrail Foam Grip
24	16	Screw	74	2	Pulse Bar Bolt
25	4	Hood Tab Clip	75	2	Pulse Bar Washer
26	2	Hood Tab (Long)	76	1	Lock Knob
27	2	Hood Tab (Short)	77	1	Lock Knob Sleeve
28	2	Incline Bolt	78	1	Lock Spring
29	1	Upright Wire Harness	79	1	Lock Pin Collar
30	1	Incline Sensor Wire	80	1	Pin Clip
31	1	Incline Motor	81	1	Lock Pin
32	1	Front Roller Adj. Nut	82	1	Shock
33	11	Small Washer	83	1	Upright Base
34	1	Front Roller Adj. Bolt	84	1	Ground Wire
35	1	Outlet Bracket	85	1	Pulse Bar
36	1	Circuit Breaker	86	14	Console Back Screw
37	1	On/Off Switch	87	1	Pulse Sensor Cover
38	1	Power Cord Grommet	88	2	Sensor Cover Screw
39	1	Power Cord	89	1	Console Back
40	1	Controller	90	1	Earn Module Cover
41	1	Transformer	91	1	Reading Rack Cover
42	1	Power Board	92	1	Reading Rack
43	4	Plastic Stand-Off	93	1	Reading Rack Insert
44	1	Lift Frame	94	1	Console
45	1	Electronics Bracket	95	1	Console Base
46	2	Frame Pivot Bolt	96	4	Motor Mount Washer
47	18	Belly Pan Screw	97	1	Key/Clip
48	1	Belly Pan	98	8	Insert Screw
49	1	Releaseable Tie	99	1	8" Black/White/Red Wire Harness
50	1	Cable Tie Screw	100	1	Long Lift Frame Bolt



Key No.	Qty.	Description
101	1	Allen Wrench
102	1	Wrench Clip
103	8	Foot Rail Screw
104	5	Base Pad
105	2	Wheel Bolt
106	1	Ground Wire
107	2	Base Wheel
108	2	Wheel Insert
109	2	Warning Decal
110	1	Latch Warning Decal
111	4	Rear Endcap Screw
112	1	Speaker Outlet Jack
113	2	Jack Screw
114	2	Base Endcap
115	1	Pulse Mounting Plate
116	2	Incline Spacer
117	1	8" Power Wire Harness

Key No.	Qty.	Description
118	4	Motor Bushing
119	8	Walking Board Spacer
#	1	8" Wire Harness
#	1	8" Blue Wire, M/F
#	1	24" Green Wire
#	1	4" Green Wire, F/Ring
#	1	4" Black Wire, 2 Female
#	1	14" Blue Wire, 2 F
#	1	8" Blue Wire, 2 F
#	1	14" White Wire, M/F
#	1	User's Manual

\*Includes all parts shown in the box.

#These parts are not illustrated

Specifications are subject to change without notice.

---

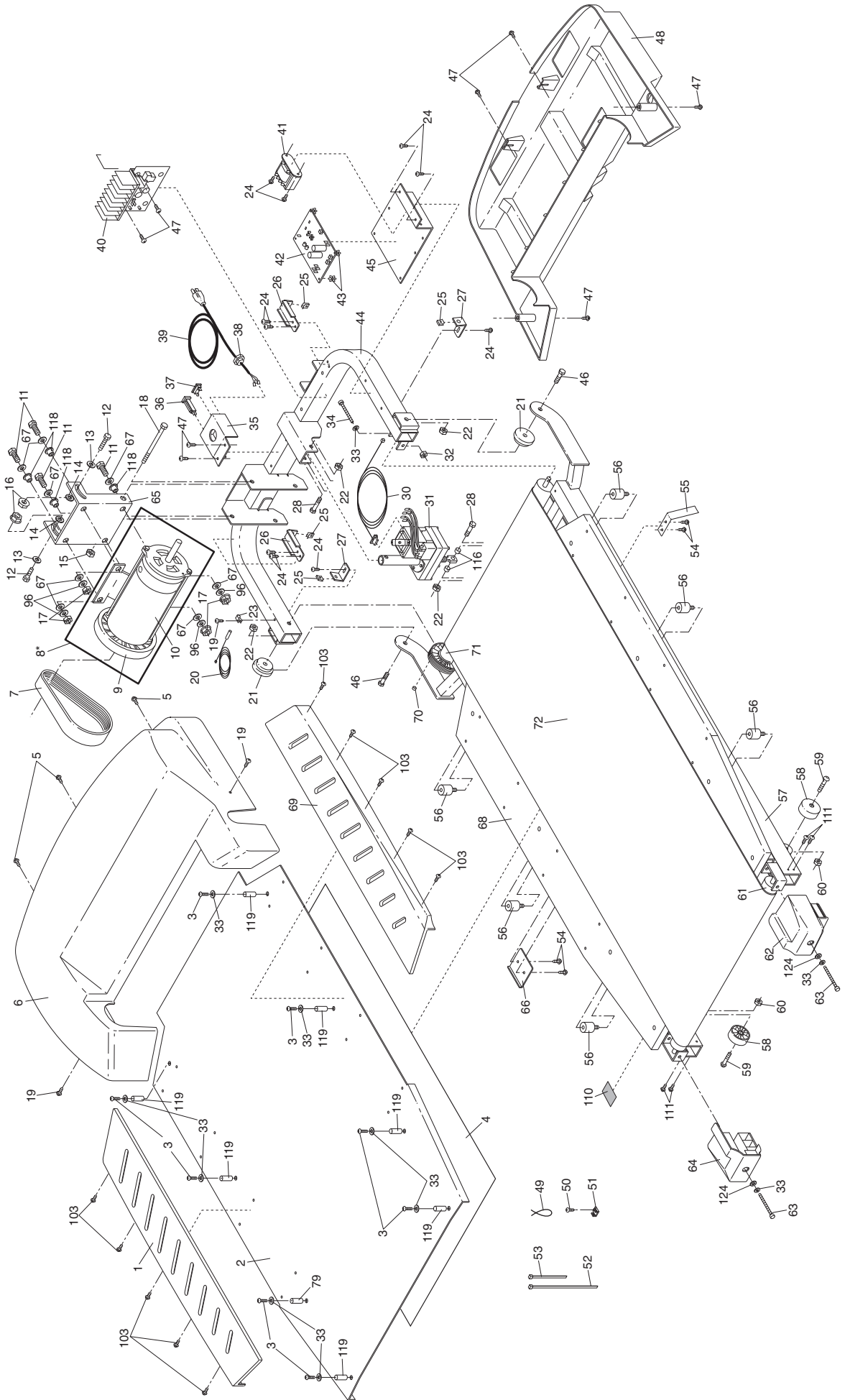
## HOW TO ORDER REPLACEMENT PARTS

To order replacement parts, call our Customer Service Department toll-free at 1-800-999-3756, Monday through Friday, 6 a.m. until 6 p.m. Mountain Time (excluding holidays). Before calling, please note the following information:

- The MODEL NUMBER of the product (HRTL17981).
- The NAME of the product (HealthRider® SOFTSTRIDER A60™ treadmill).
- The SERIAL NUMBER of the product (see the front cover of this manual).
- The KEY NUMBER and DESCRIPTION of the replacement part(s) (see the PART LIST on pages 22 and 23 and the EXPLODED DRAWING attached in the center of this manual).

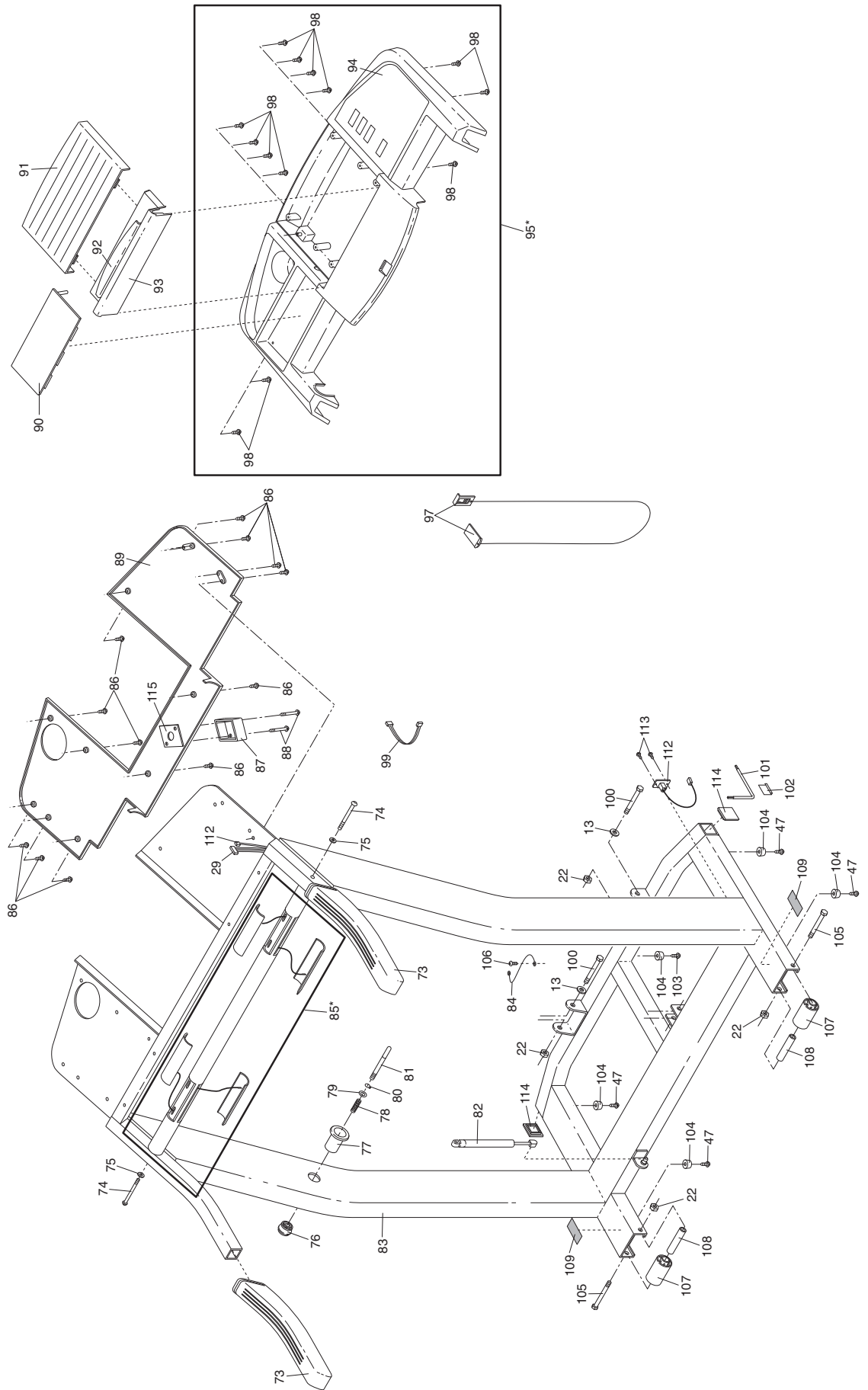
# EXPLODED DRAWING—Model No. HRTL17981

R0599A



# EXPLODED DRAWING—Model No. HRTL17981

R0599A



## LIMITED WARRANTY

**WHAT IS COVERED**—The entire HealthRider® SOFTSTRIDER A60™ treadmill (“Product”) is warranted to be free of all defects in material and workmanship.

**WHO IS COVERED**—The original purchaser or any person receiving the Product as a gift from the original purchaser.

**HOW LONG IS IT COVERED**—ICON Health & Fitness, Inc. (“ICON”), warrants the hood, covers, belly pan, and decals for six months after the date of purchase. The motor is covered for three years after the date of purchase. The belt and deck are covered for two years after the date of purchase. All mechanical components are covered for two years after the date of purchase. All electrical components are covered for two years after the date of purchase. Labor is covered for one year.

**WHAT WE DO TO CORRECT COVERED DEFECTS**—We will ship to you, without charge, any replacement part or component, providing the repairs are authorized by ICON first and are performed by an ICON trained and authorized service provider, or, at our option, we will replace the Product.

**WHAT IS NOT COVERED**—Any failures or damage caused by unauthorized service, misuse, accident, negligence, improper assembly or installation, alterations, modifications without our written authorization or by failure on your part to use, operate, and maintain as set out in your User’s Manual (“Manual”). This warranty does not extend to products used for commercial or rental purposes or to products used as store display modules.

**WHAT YOU MUST DO**—Always retain proof of purchase, such as your bill of sale; store, operate, and maintain the Product as specified in the Manual; notify our Customer Service Department of any defect within 10 days after discovery of the defect; as instructed, return any defected part for replacement or, if necessary, the entire product, for repair.

**USER’S MANUAL**—It is VERY IMPORTANT THAT YOU READ THE MANUAL before operating the Product. Remember to do the periodic maintenance requirements specified in the Manual to assure proper operation and your continued satisfaction.

**HOW TO GET PARTS AND SERVICE**—Simply call our Customer Service Department at 1-800-999-3756 and tell them your name and address and the serial number of your Product. They will tell you how to get a part replaced, or if necessary, arrange for service where your Product is located or advise you how to ship the Product for service. Before shipping, always obtain a Return Authorization Number (RA No.) from our Customer Service Department; securely pack your Product (save the original shipping carton if possible); put the RA No. on the outside of the carton and insure the product. Include a letter explaining the product or problem and a copy of your proof of purchase if you believe the service is covered by warranty.

ICON is not responsible or liable for indirect, special or consequential damages arising out of or in connection with the use or performance of the product or damages with respect to any economic loss, loss of property, loss of revenues or profits, loss of enjoyment or use, costs of removal, installation or other consequential damages of whatsoever nature. Some states do not allow the exclusion or limitation of incidental or consequential damages. Accordingly, the above limitation may not apply to you.

The warranty extended hereunder is in lieu of any and all other warranties and any implied warranties of merchantability or fitness for a particular purpose is limited in its scope and duration to the terms set forth herein. Some states do not allow limitations on how long an implied warranty lasts. Accordingly, the above limitation may not apply to you.

No one is authorized to change, modify or extend the terms of this limited warranty.

This warranty gives you specific legal rights and you may have other rights which vary from state to state.

**ICON HEALTH & FITNESS, INC., 1500 S. 1000 W., LOGAN, UT 84321-9813**

HealthRider® is a registered trademark of ICON Health & Fitness, Inc.

## Free Manuals Download Website

<http://myh66.com>

<http://usermanuals.us>

<http://www.somanuals.com>

<http://www.4manuals.cc>

<http://www.manual-lib.com>

<http://www.404manual.com>

<http://www.luxmanual.com>

<http://aubethermostatmanual.com>

Golf course search by state

<http://golfingnear.com>

Email search by domain

<http://emailbydomain.com>

Auto manuals search

<http://auto.somanuals.com>

TV manuals search

<http://tv.somanuals.com>