

# BOHN

THE COLD STANDARD

BN-ETPTB

May 2008

Replaces BN-ETPTB, May 2007

## EXTENDED THIN PROFILE UNIT COOLER

### Technical Guide

Models LTA | Air Defrost • LTL | Electric Defrost



# Table of Contents

Nomenclature.....2

Features & Benefits .....2

Performance Data & Specifications

    Air Defrost.....3

    Electric Defrost.....3

Physical Data.....3

Dimensional Data.....3



## Nomenclature

LT	A	053	B	A
Model Series	Model Type	Capacity	Electrical Code	Design Revision
Bohn Extended Thin Profile Unit Cooler	A = Air defrost L = Electric defrost	# BTUH x 100	A = 115/1/60 B = 208-230/1/60	

## Features & Benefits

Cabinet
<ul style="list-style-type: none"> <li>• Low height makes it the most compact unit for reach-in display cases where space is limited, giving the case a clean look and allowing for more shelving and product storage</li> <li>• Textured aluminum cabinet</li> <li>• Easy access to motors and the refrigerant and electrical components with front access panel</li> <li>• Modular front access panels provide easy access to motors and can be removed independently of the drain pan</li> <li>• Plastic vibration isolators for fan panels and drain pan reduce noise and vibration</li> <li>• Liquid-line solenoid wire harness comes standard for quick installation</li> </ul>
Coil
<ul style="list-style-type: none"> <li>• Internally enhanced tube design produces better unit performance</li> <li>• Blow-through coil means air is discharged through the coil</li> <li>• Heaters are attached to the coil for easier serviceability</li> <li>• Models available for R-404A and R-22 refrigerant</li> </ul>
Controls
<ul style="list-style-type: none"> <li>• Defrost termination control</li> <li>• Fan delay control</li> <li>• Heater safety control</li> </ul>
Options
<ul style="list-style-type: none"> <li>• Reverse air flow</li> <li>• Beacon II™ compatible</li> <li>• Smooth white painted cabinet</li> <li>• Pre-assembled units with factory mounted TXV, liquid-line solenoid and room thermostat</li> <li>• Coated coil for corrosion protection</li> </ul>

# Performance Data & Specifications

## Model LTA Air Defrost

Model	Capacity		Fan Data			Shaded Pole Motor				
	10°F TD 25°F SST	6°C TD -4°C SST	No.	CFM	m³H	HP	115/1/60		208-230/1/60	
	BTUH	Watts					Amps	Watts	Amps	Watts
LTA053	5,300	1,550	2	850	1,450	1/20	3.6	220	2.0	200
LTA079	7,900	2,310	3	1,350	2,300	1/20	5.4	330	3.0	300
LTA102	10,200	2,990	4	1,800	3,100	1/20	7.2	440	4.0	400
LTA134	13,400	3,930	5	2,250	3,850	1/20	9.0	550	5.0	500
LTA172	17,200	5,040	6	2,550	4,350	1/20	10.8	660	6.0	600

## Model LTL Electric Defrost

Model	Capacity		Fan Data			Shaded Pole Motor		Defrost Heaters		
	10°F TD -10°F SST	6°C TD -23°C SST	No.	CFM	m³H	HP	208-230/1/60		208-230/1/60	
	BTUH	Watts					Amps	Watts	Amps	Watts
LTL046BA	4,600	1,350	2	850	1,450	1/20	2.0	200	4.8	1,100
LTL068BA	6,800	1,990	3	1,300	2,200	1/20	3.0	300	7.2	1,650
LTL093BA	9,300	2,720	4	1,700	2,900	1/20	4.0	400	9.6	2,200
LTL115BA	11,500	3,370	5	2,100	3,600	1/20	5.0	500	12.0	2,750
LTL133BA	13,300	3,900	6	2,550	4,350	1/20	6.0	600	14.4	3,300

### Capacity Correction Factor Electric Defrost Units

Saturated Suction Temperature °F	+20	-10	-20
Saturated Suction Temperature °C	-7	-23	-29
Multiply Capacity By	1.11	1.00	0.96

## Physical Data

### Model LTA Air Defrost

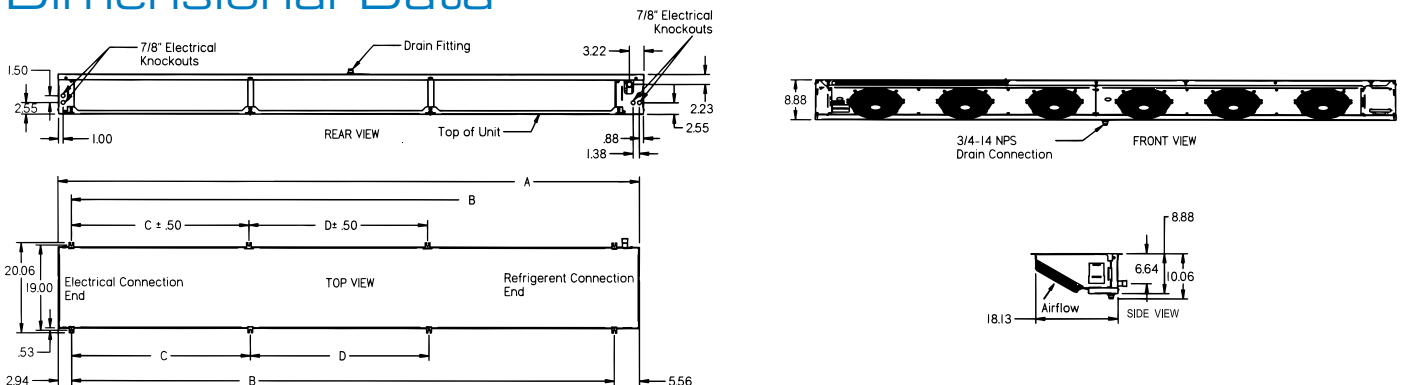
Model	No. of Fans	Connections (in.)				Approx. Net Wt. (lbs.)
		Coil Inlet OD	Suction ID	External Equalizer OD	Drain MPT	
LTA053	2	1/2	5/8	1/4	3/4	48
LTA079	3	1/2	5/8	1/4	3/4	69
LTA102	4	1/2	7/8	1/4	3/4	85
LTA134	5	1/2	7/8	1/4	3/4	108
LTA172	6	1/2	1-1/8	1/4	3/4	124

\* Suction connection is swaged to directly accept piping

### Model LTL Electric Defrost

Model	No. of Fans	Connections (in.)				Approx. Net Wt. (lbs.)
		Coil Inlet OD	Suction ID	External Equalizer OD	Drain MPT	
LTL046	2	1/2	5/8	1/4	3/4	48
LTL068	3	1/2	5/8	1/4	3/4	69
LTL093	4	1/2	7/8	1/4	3/4	85
LTL115	5	1/2	7/8	1/4	3/4	108
LTL133	6	1/2	1-1/8	1/4	3/4	124

## Dimensional Data



## Dimensional Data For All Models

Air Defrost	Electric Defrost	No. of Fans	Dimensions							
			A		B		C		D	
			in.	mm	in.	mm	in.	mm	in.	mm
LTA053	LTL046	2	49-3/8	1,254	40-7/8	1,038	-	-	-	-
LTA079	LTL068	3	69-1/8	1,756	60-5/8	1,540	-	-	-	-
LTA102	LTL093	4	88-7/8	2,257	80-3/8	2,042	40-7/8	1,038	-	-
LTA134	LTL115	5	108-5/8	2,759	100-1/8	2,543	40-7/8	1,038	-	-
LTA172	LTL133	6	128-3/8	3,261	119-7/8	3,045	40-7/8	1,038	39-1/2	1,003



For more information on Bohn Refrigeration Products, contact your Sales Representative or visit us at [www.thecoldstandard.com](http://www.thecoldstandard.com).



**A Brand of Heatcraft Refrigeration Products LLC**  
**2175 West Park Place Blvd. • Stone Mountain, GA • 30087**  
**(800) 537-7775 • FAX (770) 465-5990**

**[www.thecoldstandard.com](http://www.thecoldstandard.com)**

Since product improvement is a continuing effort, we reserve the right to make changes in specifications without notice.

BN-ETPTB 0508 | Version 000

## Free Manuals Download Website

<http://myh66.com>

<http://usermanuals.us>

<http://www.somanuals.com>

<http://www.4manuals.cc>

<http://www.manual-lib.com>

<http://www.404manual.com>

<http://www.luxmanual.com>

<http://aubethermostatmanual.com>

Golf course search by state

<http://golfingnear.com>

Email search by domain

<http://emailbydomain.com>

Auto manuals search

<http://auto.somanuals.com>

TV manuals search

<http://tv.somanuals.com>