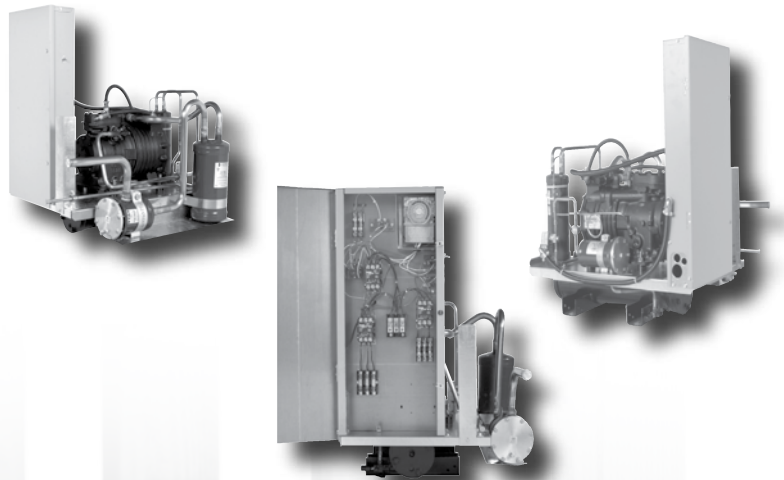




CH-WCUTB  
April 2007  
(Replaces CH-B-41C, 10/03)

**CHANDLER**  
REFRIGERATION



# Water-Cooled Condensing Units

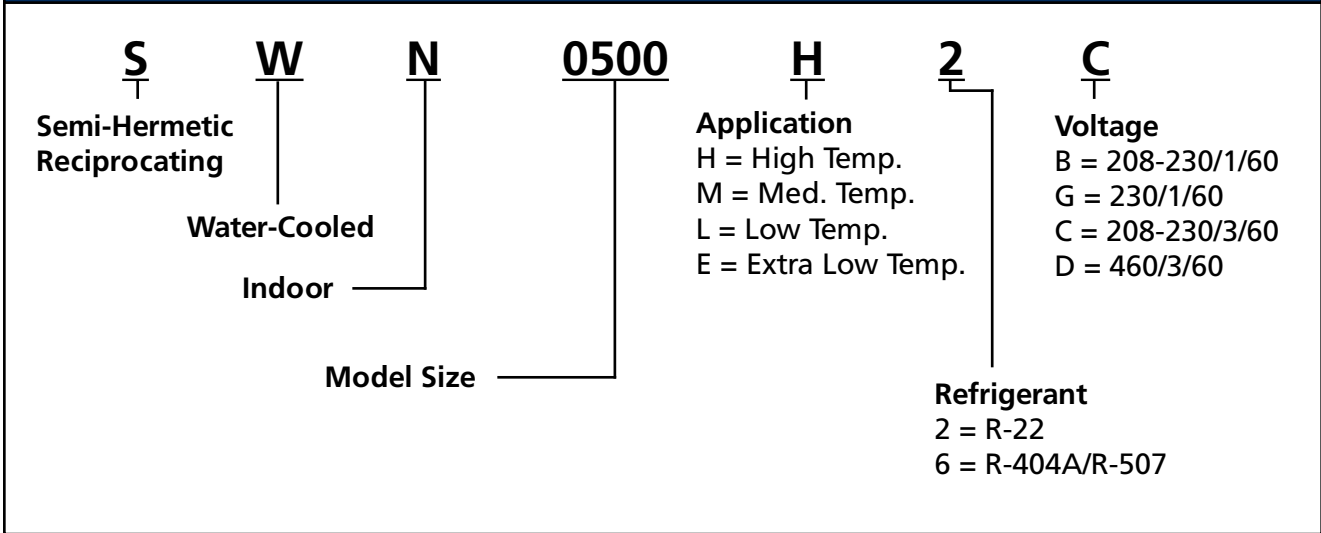
Technical Guide

**Model SWN - Semi-Hermetic  
Reciprocating Compressor**

## Table of Contents

Nomenclature .....	2
Features & Benefits .....	3-4
Performance Data, High & Medium Temperature (R-22).....	5
Performance Data, Medium & Low Temperature (R-404A/R-507).....	6
Electrical Data .....	7-9
Physical Data .....	10-11

## NOMENCLATURE





- Pre-bent tubing reduces the possibility of leaks
- Spring mounted compressors with suction and discharge vibration eliminators (models 0499 and above)
- Fixed low pressure switch (adjustable on low temp models)
- Fixed high pressure switch
- Easy access refrigerant piping
- Pressure relief valve



- More spacious, pre-painted electrical box
- Pump down switch
- 230 volt control circuit transformer on 460 volt models



- Semi-hermetic reciprocating compressors
- Captive door fasteners
- Single electrical connection location
- Shipped with dry nitrogen charge
- Heavy duty base plate
- Plastic conduit on all wiring runs
- Shell and tube, cleanable condenser
- Sealed liquid line filter drier with sight glass
- Removable electrical box from compressor access from the front

**NOTE:** SWN pictured with optional replaceable core liquid filter, oil separator, replaceable core suction filter and liquid solenoid valve

# Standard Features & Factory Installed Options

The indoor SWN water-cooled condensing unit is specifically designed for use in supermarket, restaurant, warehouse and other commercial and industrial applications. The design focuses on ease of installation and maintenance along with the flexibility to fit most application requirements.

## Standard Features

- Fixed low pressure switch (adjustable on low temp models)
- Fixed high pressure switch
- Pump down switch
- Compressor contactor and control circuit fusing
- 230V control circuit transformer on 460V units
- Removeable electrical box provides convenient front access to the oil pump and compressor
- Standard 16-3/4" tall box - (large 29-1/4" tall box is standard when defrost components are selected)
- Sealed liquid line filter drier and sight glass
- Oil pressure switch (when required)
- Shell and tube condenser with outlet shut-off valve, charging port and pressure relief device
- Solid mounted compressors (models up to 0400)
- Spring mounted compressors with suction and discharge vibration eliminators (models 0499 and above)
- Compressor head cooling fan (when required)
- Compressor solid state protection model (on units with 4D compressors)

## Factory Installed Options

- Dual pressure switch
- Oil separator with discharge check valve and oil return hand valve
- Compressor and control circuit breaker
- Two tier rack
- Suction accumulator
- Sealed suction filter
- Replaceable core suction filter (0300-2200)
- Replaceable core liquid filter (0300-2200)
- Liquid line solenoid valve
- Spring mounted compressors with suction and discharge vibration eliminators (models 0075 to 0400)
- Water regulating valve (shipped loose)
- Crankcase heater
- Air defrost timer
- Electric defrost kit. Kit includes timer, evaporator fan contactor, defrost heater contactor(s), lockout relay and terminal block
- Remote load fusing for electric defrost kit. Includes evaporator fan motor and defrost heater fuses
- Beacon II™ compatible (contact factory)
- Demand cooling for low temperature R-22 (contact factory)



# Performance Data - High & Medium Temperature Models



## R-22 Models - High & Medium Temperature

85°F Entering Water, 105°F Condensing Temperature, 5°F Subcooling

R-22 Model	Compressor		Suction Temperature °F					
			15°F	20°F	25°F	30°F	35°F	40°F
SWN0075H2	KAN1-0075	BTUH	5,090	5,860	6,700	7,620	8,620	9,740
		GPM	0.9	1.0	1.2	1.3	1.5	1.7
		PSIG	0.2	0.3	0.4	0.5	0.7	0.8
SWN0075M2	KAE1-0075	BTUH	6,310	7,130	8,000	-	-	-
		GPM	1.2	1.3	1.5	-	-	-
		PSIG	0.4	0.5	0.7	-	-	-
SWN0090H2	KARA-010E	BTUH	7,370	8,330	9,370	10,510	11,740	13,170
		GPM	1.4	1.6	1.8	2.1	2.3	2.6
		PSIG	0.6	0.8	1.0	1.3	1.6	2.1
SWN0100H2	KAM1-0100	BTUH	8,380	9,480	10,690	12,040	13,430	15,070
		GPM	1.6	1.8	2.0	2.3	2.6	2.9
		PSIG	0.7	0.9	1.2	1.5	1.9	2.5
SWN0150H2	KAGA-0150	BTUH	9,450	10,760	12,150	13,630	15,270	17,090
		GPM	1.8	2.1	2.4	2.7	3.1	3.5
		PSIG	1.0	1.3	1.7	2.2	2.8	3.6
SWN0200H2	ERA1-0200	BTUH	11,170	13,530	16,090	18,810	21,780	24,980
		GPM	2.5	3.1	3.7	4.4	5.3	6.2
		PSIG	0.2	0.3	0.5	0.7	1.0	1.3
SWN0200M2	ERC1-0200	BTUH	14,810	17,020	19,480	-	-	-
		GPM	3.4	3.9	4.6	-	-	-
		PSIG	0.4	0.5	0.7	-	-	-
SWN0300H2	ERF1-0311	BTUH	22,400	25,220	28,290	31,620	35,260	39,310
		GPM	4.7	5.3	6.1	6.9	7.9	9.1
		PSIG	0.8	1.0	1.3	1.7	2.2	2.8
SWN0400H2	NRB2-0400	BTUH	30,490	35,110	40,130	45,460	51,300	57,910
		GPM	7.3	8.7	10.3	12.3	14.8	17.9
		PSIG	1.9	2.6	3.6	5.0	7.0	10.0
SWN0499H2	2DC3R53KE	BTUH	35,930	40,900	46,230	52,020	58,320	65,090
		GPM	7.5	8.8	10.2	11.8	13.8	16.1
		PSIG	1.5	2.0	2.7	3.6	4.9	6.5
SWN0500H2	2DD3R63KE	BTUH	42,080	47,710	53,810	60,370	67,500	75,240
		GPM	9.4	11.0	12.8	15.0	17.7	21.0
		PSIG	2.3	3.1	4.2	5.7	7.9	10.9
SWN0750H2	2DL3R78KE	BTUH	53,450	60,320	67,750	75,700	84,310	93,690
		GPM	9.0	10.3	11.6	13.2	14.9	16.9
		PSIG	1.5	1.9	2.5	3.1	4.0	5.1
SWN0760H2	2DA3R89KE	BTUH	60,580	68,420	76,770	85,690	95,330	105,680
		GPM	10.6	12.1	13.8	15.7	17.9	20.4
		PSIG	2.1	2.7	3.4	4.4	5.6	7.3
SWN0761H2	3DA3R10ME	BTUH	74,160	83,130	92,810	103,270	114,800	127,100
		GPM	13.9	15.9	18.1	20.7	23.8	27.5
		PSIG	3.5	4.5	5.8	7.5	9.8	13.0
SWN1000H2	3DB3R12ME	BTUH	88,710	99,020	110,190	122,490	135,300	149,650
		GPM	20.7	23.6	27.0	31.2	35.8	41.5
		PSIG	1.0	1.3	1.7	2.3	2.9	3.9
SWN1500H2	3DS3R17ME	BTUH	117,310	131,200	146,060	161,950	179,890	198,850
		GPM	25.6	29.3	33.5	38.3	44.2	51.1
		PSIG	0.8	1.1	1.4	1.8	2.3	3.0
SWN2000H2	4DA3R18ME	BTUH	124,230	139,910	156,830	176,300	197,310	219,860
		GPM	27.6	32.0	37.2	43.6	51.3	60.6
		PSIG	0.9	1.2	1.7	2.2	3.0	4.2

For additional capacity sizes and options, please contact the factory at 800-321-1881

# Performance Data - Medium & Low Temperature Models

## R-404A/R-507 Models - Medium Temperature

85°F Entering Water, 105°F Condensing Temperature, 5°F Subcooling

R-404A/R-507 Model	Compressor		Suction Temperature °F					
			15°F	20°F	25°F	30°F	35°F	40°F
SWN0090M6	KARA-010E	BTUH	8,140	9,140	10,340	-	-	-
		GPM	1.8	2.1	2.4	-	-	-
		PSIG	1.0	1.3	1.6	-	-	-
SWN0199M6	KAKA-020E	BTUH	13,490	15,120	16,750	-	-	-
		GPM	3.5	4.2	4.8	-	-	-
		PSIG	3.7	5.0	6.7	-	-	-
SWN0200M6	ERCA-021E	BTUH	17,220	19,430	21,790	-	-	-
		GPM	4.8	5.6	6.5	-	-	-
		PSIG	0.8	1.1	1.4	-	-	-
SWN0310M6	ERF1-031E	BTUH	24,990	28,090	31,450	-	-	-
		GPM	6.2	7.3	8.5	-	-	-
		PSIG	1.4	1.8	2.5	-	-	-
SWN0500M6	2DC3R53KE	BTUH	38,480	43,470	48,930	54,810	61,160	68,040
		GPM	9.7	11.5	13.7	16.5	20.0	24.6
		PSIG	2.4	3.4	4.8	6.8	9.9	14.9

## R-404A/R-507 MODELS - LOW TEMPERATURE

85°F Entering Water, 105°F Condensing Temperature, 5°F Subcooling

R-404A/R-507 Model	Compressor		Suction Temperature °F					
			-40°F	-30°F	-25°F	-20°F	-10°F	0°F
SWN0150L6	KALA-016E	BTUH	3,160	4,940	5,880	6,830	9,030	11,550
		GPM	0.8	1.3	1.5	1.7	2.3	3.1
		PSIG	0.2	0.5	0.7	0.9	1.6	2.9
SWN0200L6	EADA-020E	BTUH	3,590	5,570	6,620	7,770	10,500	13,970
		GPM	1.1	1.5	1.7	2.0	2.7	3.8
		PSIG	0.2	0.1	0.1	0.2	0.3	0.5
SWN0210L6	EAVA-021E	BTUH	3,980	5,990	7,350	8,820	12,290	16,280
		GPM	1.2	1.6	1.9	2.3	3.3	4.7
		PSIG	0.2	0.1	0.2	0.2	0.4	0.8
SWN0310L6	LAHA-032E	BTUH	5,940	9,560	11,760	14,180	19,850	26,360
		GPM	1.5	2.3	2.8	3.4	5.0	7.3
		PSIG	0.1	0.2	0.3	0.4	0.9	1.9
SWN0310E6	LACA-032E	BTUH	8,540	12,810	15,330	18,060	-	-
		GPM	2.1	3.2	3.9	4.7	-	-
		PSIG	0.2	0.4	0.6	0.8	-	-
SWN0311L6	2DF3F16KE	BTUH	10,050	14,600	17,120	19,950	26,570	34,440
		GPM	2.4	3.5	4.1	4.8	6.6	9.1
		PSIG	0.2	0.5	0.6	0.9	1.6	2.8
SWN0400L6	2DL3F20KE	BTUH	12,480	17,850	20,900	24,260	31,920	41,160
		GPM	3.0	4.4	5.2	6.1	8.5	12.0
		PSIG	0.3	0.7	1.0	1.3	2.5	4.7
SWN0599L6	2DA3F23KE	BTUH	14,790	20,900	24,260	27,930	36,440	46,520
		GPM	3.4	4.9	5.7	6.7	9.0	12.2
		PSIG	0.3	0.7	0.9	1.2	2.1	3.8
SWN0600L6	2DB3F25KE	BTUH	15,460	22,050	25,830	29,930	39,170	50,190
		GPM	3.6	5.2	6.2	7.3	9.9	13.7
		PSIG	0.4	0.7	1.0	1.4	2.6	4.8
SWN0601L6	3DA3F28KE	BTUH	18,260	25,200	29,190	33,600	43,680	55,760
		GPM	4.5	6.3	7.4	8.6	11.8	16.5
		PSIG	0.5	1.0	1.4	2.0	3.6	6.8
SWN0750L6	3DB3F33KE	BTUH	21,670	30,030	34,760	39,800	51,560	65,840
		GPM	4.3	5.9	6.8	7.7	10.1	13.1
		PSIG	0.4	0.7	0.9	1.1	1.9	3.1
SWN0900L6	3DF3F40KE	BTUH	26,440	36,440	42,210	48,620	63,210	80,750
		GPM	6.1	8.4	9.8	11.3	15.1	20.1
		PSIG	0.1	0.2	0.2	0.3	0.6	1.0
SWN1000L6	3DS3F46KE	BTUH	30,140	41,480	47,990	55,020	70,880	89,460
		GPM	7.1	9.8	11.5	13.3	17.7	23.5
		PSIG	0.1	0.3	0.3	0.4	0.8	1.3
SWN1500L6	4DL3F63KE	BTUH	41,760	57,960	66,360	75,390	95,660	120,650
		GPM	9.5	13.2	15.2	17.3	22.5	29.5
		PSIG	0.1	0.2	0.3	0.4	0.6	1.1
SWN2200L6	4DT3F76KE	BTUH	48,600	68,670	79,380	90,720	115,710	144,900
		GPM	11.3	16.2	18.9	22.0	29.3	39.1
		PSIG	0.2	0.3	0.5	0.6	1.0	1.8

For additional capacity sizes and options, please contact the factory at 800-321-1881



## SWN Model - High & Medium Temperature

Model	Power Supply	Compressor			Air Defrost/ Beacon II™		Electric Defrost - Low Amps				Electric Defrost - High Amps			
		Model	RLA	LRA	MCA	MOPD	Defrost Heater Amps*	Evap. Fan Amps	MCA	MOPD	Defrost Heater Amps*	Evap. Fan Amps	MCA	MOPD
SWN0075H2B	208-230/1/60	KAN2-0075	5.4	36.0	15.0	15	10 (1)	3	15.0	15	-	-	-	-
SWN0075H2C	208-230/3/60	KAN1-0075	3.1	19.9	15.0	15	10 (1)	3	15.0	15	-	-	-	-
SWN0075M2B	208-230/1/60	KAE2-0075	4.9	36.0	15.0	15	10 (1)	3	15.0	15	-	-	-	-
SWN0075M2C	208-230/3/60	KAE1-0075	3.0	19.9	15.0	15	10 (1)	3	15.0	15	-	-	-	-
SWN0090H2B	208-230/1/60	KARB-010E	6.4	40.0	15.0	15	10 (1)	3	15.0	15	-	-	-	-
SWN0090H2C	208-230/3/60	KARA-010E	3.8	27.0	15.0	15	10 (1)	3	15.0	15	-	-	-	-
SWN0090M6B	208-230/1/60	KARB-010E	6.4	40.0	15.0	15	10 (1)	3	15.0	15	-	-	-	-
SWN0090M6C	208-230/3/60	KARA-010E	3.8	27.0	15.0	15	10 (1)	3	15.0	15	-	-	-	-
SWN0100H2B	208-230/1/60	KAM2-0100	6.7	40.0	15.0	15	10 (1)	3	15.0	15	-	-	-	-
SWN0100H2C	208-230/3/60	KAM1-0100	4.0	27.0	15.0	15	10 (1)	3	15.0	15	-	-	-	-
SWN0100H2D	460/3/60	KAM1-0100	1.0	13.5	15.0	15	10 (1)	3	15.0	15	-	-	-	-
SWN0150H2B	208-230/1/60	KAGB-0150	8.6	55.0	15.0	15	20 (1)	6	25.0	25	40 (1)	12	50.0	500
SWN0150H2C	208-230/3/60	KAGA-0150	4.9	35.5	15.0	15	20 (1)	6	25.0	25	-	-	-	-
SWN0150H2D	460/3/60	KAGA-0150	2.2	18.2	15.0	15	10 (1)	3	15.0	15	-	-	-	-
SWN0199M6B	208-230/1/60	KAKB-021E	9.1	55.0	15.0	20	20 (1)	6	25.0	25	40 (1)	12	50.0	50
SWN0199M6C	208-230/3/60	KAKA-020E	5.8	50.0	15.0	15	20 (1)	6	25.0	25	-	-	-	-
SWN0200H2G	230/1/60	ERA1-0200	9.3	58.0	15.0	20	20 (1)	6	25.0	25	40 (1)	12	50.0	50
SWN0200H2C	208-230/3/60	ERA1-0200	5.9	46.0	15.0	15	20 (1)	6	25.0	25	-	-	-	-
SWN0200H2D	460/3/60	ERA1-0200	3.1	46.0	15.0	15	10 (1)	3	15.0	15	-	-	-	-
SWN0200M2G	230/1/60	ERC1-0200	9.7	58.0	15.0	20	20 (1)	6	25.0	25	40 (1)	12	50.0	50
SWN0200M2C	208-230/3/60	ERC1-0200	6.1	46.0	15.0	15	20 (1)	6	25.0	25	-	-	-	-
SWN0200M2D	460/3/60	ERC2-0200	3.3	23.0	15.0	15	10 (1)	3	15.0	15	-	-	-	-
SWN0200M6C	208-230/3/60	ERCA-021E	7.9	46.0	15.0	15	20 (1)	6	25.0	25	-	-	-	-
SWN0300H2G	230/1/60	ERF2-0310	15.6	86.0	20.0	35	20 (1)	6	25.5	40	40 (1)	12	50.0	50
SWN0300H2C	208-230/3/60	ERF1-0311	11.2	82.0	15.0	25	20 (1)	6	25.0	30	40 (1)	12	50.0	50
SWN0300H2D	460/3/60	ERF1-0311	5.2	41.0	15.0	15	10 (1)	3	15.0	15	20 (1)	6	25.0	25
SWN0310M6G	230/1/60	ERFB-031E	15.3	86.0	20.0	30	20 (1)	6	25.1	40	40 (1)	12	50.0	50
SWN0310M6C	208-230/3/60	ERFA-031E	11.2	82.0	15.0	25	20 (1)	6	25.0	30	40 (1)	12	50.0	50
SWN0310M6D	460/3/60	ERFA-031E	5.2	41.0	15.0	15	10 (1)	3	15.0	15	20 (1)	6	25.0	25

## SWN Model - Low Temperature

Model	Power Supply	Compressor			Air Defrost/ Beacon II™		Electric Defrost - Low Amps				Electric Defrost - High Amps			
		Model	RLA	LRA	MCA	MOPD	Defrost Heater Amps*	Evap. Fan Amps	MCA	MOPD	Defrost Heater Amps*	Evap. Fan Amps	MCA	MOPD
SWN0150L6B	208-230/1/60	KALB-015E	8.9	55.0	15.0	20	20 (1)	6	25.0	25	-	-	-	-
SWN0150L6C	208-230/3/60	KALA-016E	5.0	50.0	15.0	15	20 (1)	6	25.0	25	-	-	-	-
SWN0150L6D	460/3/60	KALA-016E	3.1	25.0	15.0	15	10 (1)	3	15.0	15	-	-	-	-
SWN0200L6G	230/1/60	EADB-021E	9.0	58.0	15.0	20	20 (1)	6	25.0	25	-	-	-	-
SWN0200L6C	208-230/3/60	EADA-020E	6.1	46.0	15.0	15	20 (1)	6	25.0	25	-	-	-	-
SWN0210L6B	208-230/1/60	EAVB-021E	13.2	102.0	20.0	25	20 (1)	6	25.0	35	-	-	-	-
SWN0210L6C	208-230/3/60	EAVA-021E	6.6	50.0	15.0	15	20 (1)	6	25.0	25	-	-	-	-
SWN0210L6D	460/3/60	EAVA-021E	2.9	26.6	15.0	15	10 (1)	3	15.0	15	-	-	-	-
SWN0310L6G	230/1/60	LAHB-032E	15.0	105.0	20.0	30	20 (1)	6	25.0	35	40 (1)	12	50.0	50
SWN0310L6C	208-230/3/60	LAHA-032E	11.5	112.0	15.0	25	20 (1)	6	25.0	30	40 (1)	12	50.0	50
SWN0310L6D	460/3/60	LAHA-032E	5.4	56.0	15.0	15	10 (1)	3	15.0	15	20 (1)	6	25.0	25
SWN0310E6G	230/1/60	LACB-032E	13.9	105.0	20.0	30	20 (1)	6	25.0	35	40 (1)	12	50.0	50
SWN0310E6C	208-230/3/60	LACA-032E	11.5	112.0	15.0	25	20 (1)	6	25.0	30	40 (1)	12	50.0	50
SWN0310E6D	460/3/60	LACA-032E	5.4	56.0	15.0	15	10 (1)	3	15.0	15	20 (1)	6	25.0	25

\*Number of defrost heater contactors in parentheses  
 RLA - Rated Load Amps      MCA - Minimum Circuit Ampacity  
 LRA - Locked Rotor Amps      MOPD - Maximum Overcurrent Protection Device

For additional capacity sizes and options, please contact the factory at 800-321-1881

## SWN Model - High & Medium Temperature

Model	Power Supply	Compressor			Air Defrost/ Beacon II™		Electric Defrost - Low Amps				Electric Defrost - High Amps			
		Model	RLA	LRA	MCA	MOPD	Defrost Heater Amps*	Evap. Fan Amps	MCA	MOPD	Defrost Heater Amps*	Evap. Fan Amps	MCA	MOPD
SWN0400H2C	208-230/3/60	NRB2-0400	19.6	141.0	24.4	40	20 (1)	6	30.4	50	40 (1)	12	50.0	50
SWN0400H2D	460/3/60	NRB2-0400	10.1	62.5	15.0	20	10 (1)	3	20.0	25	20 (1)	6	25.0	25
SWN0499H2C	208-230/3/60	2DC3R53KE	20.0	120.0	25.0	45	20 (1)	6	31.0	50	40 (1)	12	50.0	50
SWN0499H2D	460/3/60	2DC3R53KE	9.4	60.0	15.0	20	10 (1)	3	15.0	20	20 (1)	6	25.0	25
SWN0500H2C	208-230/3/60	2DD3R63KE	20.0	120.0	25.0	40	20 (1)	6	31.0	50	40 (1)	12	50.0	50
SWN0500H2D	460/3/60	2DD3R63KE	9.4	60.0	15.0	20	10 (1)	3	15.0	20	20 (1)	6	25.0	25
SWN0500M6C	208-230/3/60	2DC3R53KE	20.0	120.0	25.0	45	20 (1)	6	31.0	50	40 (1)	12	50.0	50
SWN0500M6D	460/3/60	2DC3R53KE	9.4	60.0	15.0	20	10 (1)	3	15.0	20	20 (1)	6	25.0	25
SWN0750H2C	208-230/3/60	2DL3R78KE	28.3	169.0	35.4	60	40 (1)	12	50.0	70	70 (2)	16	87.5	90
SWN0750H2D	460/3/60	2DL3R78KE	12.4	85.0	20.0	25	20 (1)	6	25.0	30	40 (1)	12	50.0	50
SWN0760H2C	208-230/3/60	2DA3R89KE	28.7	169.0	35.9	60	40 (1)	12	50.0	70	70 (2)	16	87.5	90
SWN0760H2D	460/3/60	2DA3R89KE	12.6	85.0	20.0	25	20 (1)	6	25.0	30	40 (1)	12	50.0	50
SWN0761H2C	208-230/3/60	3DA3R10ME	36.8	215.0	46.0	80	40 (1)	12	58.0	90	70 (2)	16	87.5	90
SWN0761H2D	460/3/60	3DA3R10ME	17.9	106.0	22.4	40	20 (1)	6	28.4	45	40 (1)	12	50.0	50
SWN1000H2C	208-230/3/60	3DB3R12ME	39.1	215.0	48.9	80	40 (1)	12	60.9	90	70 (2)	16	87.5	100
SWN1000H2D	460/3/60	3DB3R12ME	17.9	106.0	22.4	40	20 (1)	6	28.4	45	40 (1)	12	50.0	50
SWN1500H2C	208-230/3/60	3DS3R17ME	53.5	275.0	66.9	110	70 (2)	16	87.5	125	96 (2)	25	120.0	125
SWN1500H2D	460/3/60	3DS3R17ME	26.0	138.0	32.5	50	40 (1)	12	50.0	70	70 (2)	16	87.5	90
SWN2000H2C	208-230/3/60	4DA3R18ME	52.7	308.0	65.9	110	70 (2)	16	87.5	125	96 (2)	25	120.0	125
SWN2000H2D	460/3/60	4DA3R18ME	26.3	154.0	32.9	50	40 (1)	12	50.0	70	70 (2)	16	87.5	90

\*Number of defrost heater contactors in parentheses

RLA - Rated Load Amps

MCA - Minimum Circuit Ampacity

LRA - Locked Rotor Amps

MOPD - Maximum Overcurrent Protection Device

**For additional capacity sizes and options, please contact the factory at 800-321-1881**





## SWN Model - Low Temperature

Model	Power Supply	Compressor			Air Defrost/ Beacon II™		Electric Defrost - Low Amps				Electric Defrost - High Amps			
		Model	RLA	LRA	MCA	MOPD	Defrost Heater Amps*	Evap. Fan Amps	MCA	MOPD	Defrost Heater Amps*	Evap. Fan Amps	MCA	MOPD
SWN0311L6G	230/1/60	2DF3F16KE	22.9	125.0	28.7	50	20 (1)	6	34.7	50	40 (1)	12	50.0	60
SWN0311L6C	208-230/3/60	2DF3F16KE	14.4	102.0	20.0	30	20 (1)	6	25.0	35	40 (1)	12	50.0	50
SWN0311L6D	460/3/60	2DF3F16KE	7.1	52.0	15.0	15	10 (1)	3	15.0	15	20 (1)	6	25.0	25
SWN0400L6C	208-230/3/60	2DL3F20KE	23.6	161.0	29.5	50	20 (1)	6	35.5	50	40 (1)	12	50.0	60
SWN0400L6D	460/3/60	2DL3F20KE	9.2	60.0	15.0	20	10 (1)	3	15.0	20	20 (1)	6	25.0	25
SWN0599L6C	208-230/3/60	2DA3F23KE	25.8	161.0	32.3	50	20 (1)	6	38.3	60	40 (1)	12	50.0	70
SWN0599L6D	460/3/60	2DA3F23KE	9.2	60.0	15.0	20	10 (1)	3	15.0	20	20 (1)	6	25.0	25
SWN0600L6C	208-230/3/60	2DB3F25KE	25.3	161.0	31.7	50	20 (1)	6	37.7	60	40 (1)	12	50.0	60
SWN0600L6D	460/3/60	2DB3F25KE	11.9	80.0	15.0	25	10 (1)	3	20.0	25	20 (1)	6	25.0	30
SWN0601L6C	208-230/3/60	3DA3F28KE	24.0	150.0	30.1	50	20 (1)	6	36.1	60	40 (1)	12	50.0	60
SWN0601L6D	460/3/60	3DA3F28KE	10.8	77.0	15.0	20	10 (1)	3	20.0	25	20 (1)	6	25.0	30
SWN0750L6C	208-230/3/60	3DB3F33KE	27.6	161.0	34.5	60	40 (1)	12	50.0	70	70 (2)	16	87.5	90
SWN0750L6D	460/3/60	3DB3F33KE	14.1	83.0	20.0	30	20 (1)	6	25.0	35	40 (1)	12	50.0	50
SWN0900L6C	208-230/3/60	3DF3F40KE	33.2	215.0	41.5	70	40 (1)	12	53.5	80	70 (2)	16	87.5	90
SWN0900L6D	460/3/60	3DF3F40KE	15.0	106.0	20.0	30	20 (1)	6	25.0	35	40 (1)	12	50.0	50
SWN1000L6C	208-230/3/60	SDS3F46KE	37.2	215.0	46.5	80	40 (1)	12	58.5	90	70 (2)	16	87.5	90
SWN1000L6D	460/3/60	SDS3F46KE	16.7	106.0	20.8	35	20 (1)	6	26.8	40	40 (1)	12	50.0	50
SWN1500L6C	208-230/3/60	4DL3F63KE	47.2	278.0	59.0	100	70 (2)	16	87.5	110	96 (2)	25	120.0	125
SWN1500L6D	460/3/60	4DL3F63KE	23.6	139.0	29.5	50	40 (1)	12	50.0	60	70 (2)	16	87.5	90
SWN2200L6C	208-230/3/60	4DT3F76KE	59.2	374.0	74.0	125	70 (2)	16	90.0	125	96 (2)	25	120.0	150
SWN2200L6D	460/3/60	4DT3F76KE	29.6	187.0	37.0	60	40 (1)	12	50.0	70	70 (2)	16	87.5	90

\*Number of defrost heater contactors in parentheses

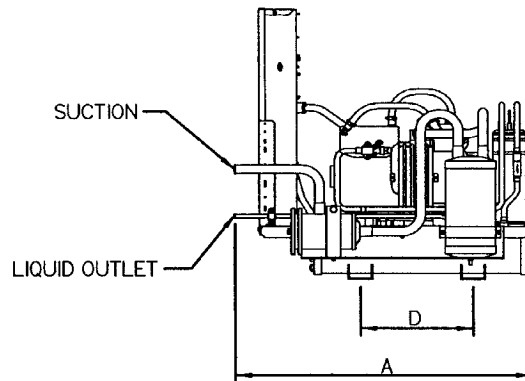
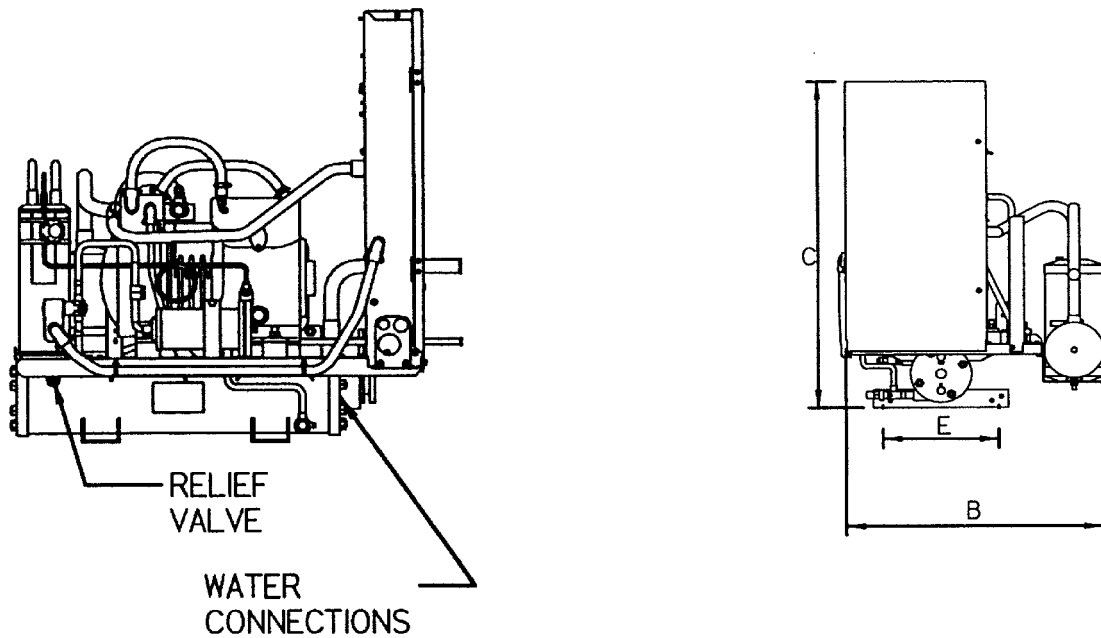
RLA - Rated Load Amps

MCA - Minimum Circuit Ampacity

LRA - Locked Rotor Amps

MOPD - Maximum Overcurrent Protection Device

**For additional capacity sizes and options, please contact the factory at 800-321-1881**



## Maximum Dimensions with Options

Horsepower	A	B	C	D	E
3/4 to 2	33"	23-3/4"	37-3/8"	10-5/8"	12"
3 to 4	38-3/8"	26-3/4"	36-3/8"	13-1/2"	12"
5 to 6	42-1/2"	30-3/8"	39-1/4"	14"	12"
7-1/2 to 22	55-1/2"	35-3/8"	41-1/2"	36"	12"

NOTES: Please refer to submittal drawings for exact model dimensions

## SWN Model - High & Medium Temperature

Model	Compressor	Connections (in.)				90% Cond. Holding Capacity (Lbs.)	Dimensions (in.)			Approx. Net Wt. (Lbs.)
		Suction	Liquid Line	Water Inlet	Water Outlet		H	W	D	
SWN0075H2	KAN1-0075	5/8	3/8	1/2	1/2	21	37.38	23.75	33.00	165
SWN0075M2	KAE1-0075	5/8	3/8	1/2	1/2	21	37.38	23.75	33.00	165
SWN0090H2	KARA-010E	5/8	3/8	1/2	1/2	21	37.38	23.75	33.00	180
SWN0090M6	KARA-010E	7/8	3/8	1/2	1/2	18	37.38	23.75	33.00	180
SWN0100H2	KAM1-0100	7/8	3/8	1/2	1/2	21	37.38	23.75	33.00	180
SWN0150H2	KAGA-0150	7/8	3/8	1/2	1/2	21	37.38	23.75	33.00	195
SWN0199M6	KAKA-020E	7/8	3/8	1/2	1/2	18	37.38	23.75	33.00	210
SWN0200H2	ERA1-0200	7/8	3/8	1/2	1/2	17	37.38	23.75	33.00	260
SWN0200M2	ERC1-0200	7/8	3/8	1/2	1/2	17	37.38	23.75	33.00	260
SWN0200M6	ERCA-021E	7/8	3/8	1/2	1/2	15	37.38	23.75	38.38	260
SWN0300H2	ERF1-0311	1-1/8	1/2	3/4	3/4	19	36.38	26.75	38.38	325
SWN0310M6	ERFA-031E	1-1/8	1/2	3/4	3/4	17	36.38	26.75	38.38	325
SWN0400H2	NRB2-0400	1-1/8	1/2	3/4	3/4	19	36.38	26.75	38.38	385
SWN0499H2	2DC3-050E	1-3/8	5/8	1-1/4	1-1/4	39	39.25	30.38	42.50	400
SWN0500H2	2DD3-050E	1-3/8	5/8	1-1/4	1-1/4	39	39.25	30.38	42.50	400
SWN0500M6	2DC3-050E	1-3/8	5/8	1-1/4	1-1/4	34	39.25	30.38	42.50	400
SWN0750H2	2DL3-075E	1-3/8	5/8	1-1/4	1-1/4	60	41.50	35.38	55.50	465
SWN0760H2	2DA3-075E	1-3/8	5/8	1-1/4	1-1/4	60	41.50	35.38	55.50	465
SWN0761H2	3DA3A075E	1-3/8	5/8	1-1/4	1-1/4	60	41.50	35.38	55.50	465
SWN1000H2	3DB3A100E	1-5/8	7/8	1-1/4	1-1/4	66	41.50	35.38	55.50	715
SWN1500H2	3DS3A150E	1-5/8	7/8	1-1/2	1-1/2	125	41.50	35.38	55.50	735
SWN2000H2	4DA3-200E	1-5/8	7/8	1-1/2	1-1/2	125	41.50	35.38	55.50	795

## SWN Model - Low Temperature

Model	Compressor	Connections (in.)				90% Cond. Holding Capacity (Lbs.)	Dimensions (in.)			Approx. Net Wt. (Lbs.)
		Suction	Liquid Line	Water Inlet	Water Outlet		H	W	D	
SWN0150L6	KALA-016E	7/8	3/8	1/2	1/2	18	37.38	23.75	33.00	195
SWN0200L6	EADA-020E	7/8	3/8	1/2	1/2	15	37.38	23.75	33.00	325
SWN0210L6	EAVA-021E	7/8	3/8	1/2	1/2	15	37.38	23.75	33.00	325
SWN0310L6	LAHA-032E	1-1/8	1/2	3/4	3/4	17	36.38	26.75	38.38	325
SWN0310E6	LACA-032E	1-1/8	1/2	3/4	3/4	17	36.38	26.75	38.38	325
SWN0311L6	2DF3-030E	1-3/8	1/2	3/4	3/4	17	36.38	26.75	38.38	340
SWN0400L6	2DL3-040E	1-3/8	1/2	3/4	3/4	17	36.38	26.75	38.38	385
SWN0599L6	2DA3-060E	1-3/8	5/8	1-1/4	1-1/4	34	39.25	30.38	42.50	415
SWN0600L6	2DB3-060E	1-3/8	5/8	1-1/4	1-1/4	34	39.25	30.38	42.50	415
SWN0601L6	3DA3A060E	1-3/8	5/8	1-1/4	1-1/4	34	39.25	30.38	42.50	430
SWN0750L6	3DB3A075E	1-5/8	5/8	1-1/4	1-1/4	52	41.50	35.38	55.50	465
SWN0900L6	3DF3A090E	1-5/8	5/8	1-1/4	1-1/4	57	41.50	35.38	55.50	560
SWN1000L6	3DS3A100E	1-5/8	7/8	1-1/4	1-1/4	57	41.50	35.38	55.50	715
SWN1500L6	4DL3-150E	2-1/8	7/8	1-1/2	1-1/2	109	41.50	35.38	55.50	780
SWN2200L6	4DT3-220E	2-1/8	7/8	1-1/2	1-1/2	109	41.50	35.38	55.50	865

**NOTES:** Receiver refrigerant holding capacity refers to the weight of the type of refrigerant indicated by the model number (i.e. H2, M2 = R-22; M6, L6, E6 = R-404A/R-507)

Dimensions are maximum dimensions with options. Please refer to submittal drawings for specific model dimensions

**For additional capacity sizes and options, please contact the factory at 800-321-1881**



**CHANDLER**

REFRIGERATION

A Brand of Heatcraft Refrigeration Products LLC  
2175 West Park Place Blvd. • Stone Mountain, GA • 30087  
800-321-1881 • FAX 770-465-5990

[www.chandlerref.com](http://www.chandlerref.com)

CH-WCUTB-0407 | Version 001

Download from [www.Somanuals.com](http://www.Somanuals.com). All Manuals Search And Download.

## Free Manuals Download Website

<http://myh66.com>

<http://usermanuals.us>

<http://www.somanuals.com>

<http://www.4manuals.cc>

<http://www.manual-lib.com>

<http://www.404manual.com>

<http://www.luxmanual.com>

<http://aubethermostatmanual.com>

Golf course search by state

<http://golfingnear.com>

Email search by domain

<http://emailbydomain.com>

Auto manuals search

<http://auto.somanuals.com>

TV manuals search

<http://tv.somanuals.com>