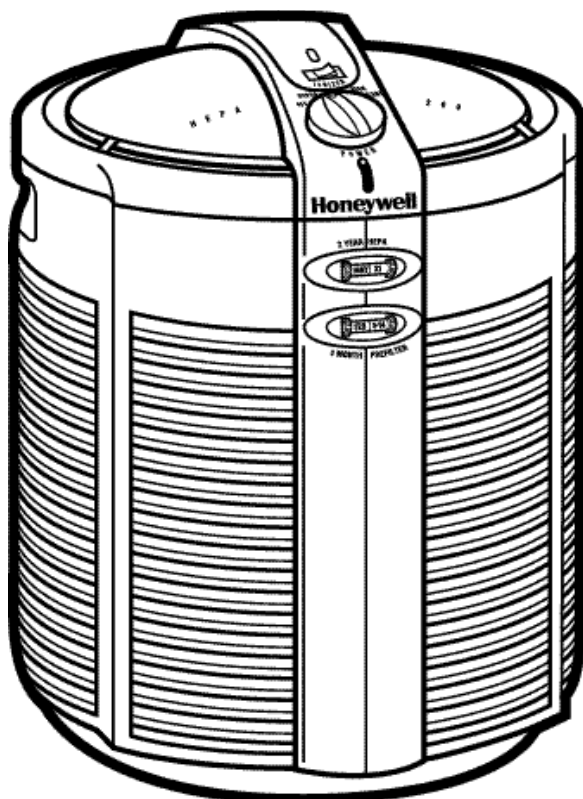


**enviracaire**

# Portable HEPA Air Cleaner

READ AND SAVE THESE INSTRUCTIONS



## Owner's Guide

For Model 51130 Series Air Cleaner

**The Science of Clean Air®**

## Important Safety Instructions

PLEASE READ AND SAVE THESE SAFETY INSTRUCTIONS BEFORE USING THIS AIR CLEANER.

When using electrical appliances, basic precautions should always be followed to reduce the risk of fire, electric shock and injury to persons, including the following:

1. Read all instructions before operating the air cleaner.
2. Place air cleaner where it is not easily knocked over by persons in the household.
3. Always turn the air cleaner to the **OFF** position and unplug when not in use.
4. To disconnect the air cleaner, first turn speed control to **OFF** position, grip the plug and pull it from the outlet. Never pull by the cord.
5. Do not use any product with a damaged cord or plug or if product malfunctions, is dropped or damaged in any manner. Keep the cord away from the heated surfaces.
6. Do not use air cleaner outdoors.
7. Never use air cleaner unless it is fully assembled.
8. Do not run power cord under carpets, and do not cover with throw rugs. Arrange cord such that it will not be tripped over.
9. Do not use air cleaner where combustible gases or vapors are present.
10. Do not expose the air cleaner to rain, or use near water, in a bathroom, laundry area or other damp location.
11. The air cleaner must be used in its upright position.
12. Do not allow foreign objects to enter ventilation or exhaust opening as this may cause electric shock or damage to the air cleaner. Do not block air outlets or intakes.
13. Locate air cleaner near power outlet and avoid using an extension cord.
14. The air cleaner has a polarized plug (one blade is wider than the other). To reduce risk of shock, this plug is intended to fit only one way in a polarized outlet. If the plug does not fit fully in the outlet, reverse the plug. If it still does not fit, contact a qualified electrician. **DO NOT** attempt to defeat this safety feature.
15. A loose fit between the AC outlet (receptacle) and plug may cause overheating and a distortion of the plug. Contact a qualified electrician to replace loose or worn outlet.
16. Do not sit, stand or place heavy objects on the air cleaner.
17. Disconnect power supply before servicing.

**WARNING: To Reduce The Risk of Fire or Electric Shock, Do Not Use This Air Cleaner With Any Solid-State Speed Control Device.**

## Congratulations

You now own a quality portable HEPA air cleaner that has been engineered and crafted for your satisfaction.

Our Consumer Relations representatives will be pleased to help with any questions or concerns you may have about your **Honeywell** air cleaner. Please call our Consumer Relations Dept. at (800) 332-1110 for assistance.

## For Best Performance

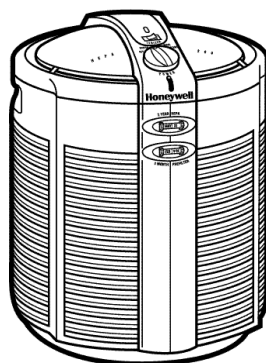
We recommend that you operate your **Honeywell** air cleaner 24 hours a day because indoor air can be quickly contaminated by activity in a room and infiltration of outside air. While all the air in a room will not be processed by the air cleaner, the more air circulated through the filter, the more filtered air returned to the room. Portable air cleaners will be much more effective in rooms where all doors and windows are closed.

The **Honeywell** HEPA air cleaner is ready to begin cleaning air as soon as it is removed from the carton and plugged in. Because it circulates air in a 360 degree pattern around the air cleaner, it can be placed on the floor in almost any location. However, for best performance the air outlet slot should not be blocked for at least 1 meter (three feet) in all directions.

Due to the large volume of air drawn towards the air cleaner, surrounding areas should be cleaned and/or vacuumed frequently to prevent buildup. This may help keep your home cleaner and may extend the life of your pre-filter. If the unit is placed on light colored carpeting, a small mat or rug should be used to ease cleaning and prevent any permanent staining. This is particularly important in homes with heavier contamination from smoking or fireplaces.

## Model 51130 Series

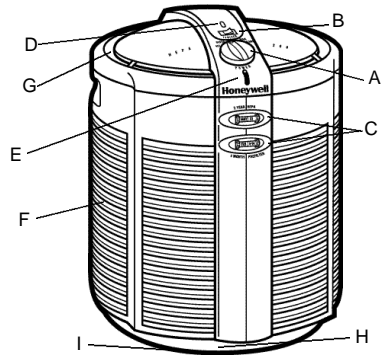
The **Honeywell** 51130 air cleaner is a 3 speed air cleaner operated by moving the speed control knob on the top cover from the "OFF" position to the "super" position. Allow the unit to operate for a few seconds at "super", then leave the control knob in the "super" position for faster, powerful room cleaning, or move the knob to a lower setting for quieter operation.



## Features

### GENERAL DESCRIPTION OF FEATURES

- A. Speed Control/Power Switch
- B. Ionizer Control
- C. Filter-Change Calendars
- D. Ionizer Indicator Light
- E. Power Indicator Light
- F. Air Intake
- G. Air Outlet
- H. Base
- I. Locking Handle



The Ionizer charges particles in the air which may enhance the air cleaner's performance.

## Replacement Filters

Model No.	HEPA Filter Part Number	Carbon Pre-filter Part Number
51130	Duracraft HEP-5020	Honeywell 38002

Replacement filters may be purchased from the retail store or ordered from the dealer where you purchased the product. If you cannot locate one, please call our Consumer Relations Dept. at (800) 332-1110 or e-mail us at: [service@honeywell.com](mailto:service@honeywell.com).

## Operation

- Step 1: Inspect Air Cleaner upon removal from its container. Remove and discard any packaging material.
- Step 2: Place the air cleaner on a flat, level, unobstructed surface. **IF USING THE IONIZER, DO NOT PLACE THE AIR CLEANER WITHIN THREE FEET OF ANY COMPUTER OR MAGNETICALLY SENSITIVE DEVICES SUCH AS FLOPPY DISKS OR TAPES.**
- Step 3: Make sure that speed control is set to the OFF position. Plug in air cleaner.
- Step 4: Set speed control to the "super" position. Allow the unit to operate for a few minutes at "super", then leave the control knobs in the "super" position for faster, more powerful room cleaning, or move the knob to a lower setting for quieter operation. Set Ionizer control to desired setting, O (Ionizer OFF) or I (Ionizer ON).

## How to Change the Filters

### CAUTION: DISCONNECT FROM POWER SUPPLY BEFORE SERVICING

The only two parts requiring any service are the activated carbon pre-filter and the HEPA filter. No tools are needed. To change either filter, disassemble the unit as described below.

**NOTE:** Neither the pre-filter nor the HEPA filter are washable.

Step 1: Turn the Air Cleaner off and unplug from the wall outlet.

Step 2: To open, gently place the air cleaner on its side and unscrew the locking handle counter-clockwise to release the BASE from the air cleaner.

Step 3: Remove the BASE.

Step 4: Remove the filter assembly (consisting of the HEPA and pre-filter) from the internal chamber.

Step 5: Locate the seam of the pre-filter and carefully separate the fastener on the seam from the pre-filter and remove the pre-filter from the HEPA filter.

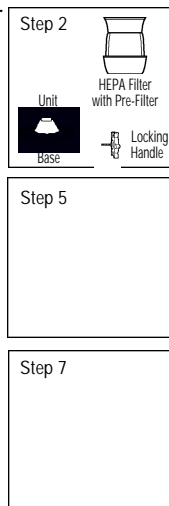
Step 6: Discard used filter(s) being replaced. Remove any packaging and plastic from replacement filter(s). If applicable, see pre-filter sizing instructions included inside the Universal Pre-filter box (model 38002).

Step 7: Carefully wrap the pre-filter around the HEPA filter so that the ends meet. Fasten the ends together with the strap fastener.

Step 8: Place the whole filter assembly into the product chamber. Close the product by replacing the base and tightening the locking handle.

**NOTE:** The HEPA filter assembly was designed to easily fit into the power head without any orientation; there is no top or bottom to the HEPA filter.

Step 9: Turn the air cleaner upright, plug into wall socket and turn on.

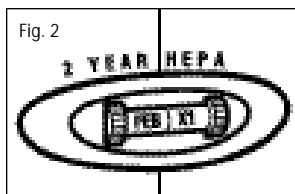
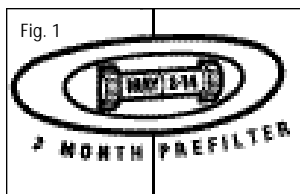


## Filter Replacement Reminders

Filter Change Schedule: Pre-filter: Replace every 3 months  
HEPA filter: Replace every 1-3 years depending on use

Upon start up of your air cleaner and upon every pre-filter replacement, roll the Pre-filter Change Calendar ahead 3 months to indicate when the next filter replacement is necessary (Fig. 1).

Upon start up of your air cleaner and upon every HEPA filter replacement, roll the HEPA Filter-Change Calendar ahead 2 years depending on use (use the month wheel on the left and the year wheel on the right) to indicate when filter replacement is necessary (Fig. 2).



## Troubleshooting

- Start on highest speed for a few minutes, then adjust to desired speed.
- Check to make sure that the power cord is correctly connected to the outlet.
- Test that the outlet is functioning properly using another appliance or lamp.
- Check the fuse or circuit breaker. The outlet may be overloaded if other appliances are also in use. Determine and correct the cause of the overload.
- If none of the above procedures restore operation, return your unit to the store or if the store's return policy does not allow, return the complete unit per the instructions in the warranty section of this owner's guide. Do not attempt to repair the unit yourself. Doing so may cause damage or personal injury and the warranty does not cover damage resulting from unauthorized attempts to repair or from any use not in accordance with this manual.

## Storage

If you store your **Honeywell** HEPA air cleaner for more than 30 days, we recommend:

- Remove both the primary HEPA filter and the activated carbon pre-filter from the unit.
- Discard the pre-filter.
- Wrap the HEPA filter in an air-tight plastic bag or plastic wrap. Be sure that the filter is totally sealed.
- To restore the air cleaner to service, unwrap the HEPA filter, install a new activated carbon pre-filter, and replace both filters in the air cleaner. (See "How to Change the Filters" section for proper installation.)

## Limited Warranty

### Honeywell enviraicare HEPA Air Cleaner

#### Model Series 51130

This product has been engineered and crafted with great care for your satisfaction. **Be sure to fill out and return the enclosed card within 7 days of purchase.**

**A.** This limited warranty applies to repair or replacement of product found to be defective in material or workmanship within 3 years of the date of purchase. This warranty does not apply to damage resulting from commercial, abusive, unreasonable use or supplemental damage. Defects that are the result of normal wear and tear will not be considered manufacturing defects under this warranty. HONEYWELL IS NOT LIABLE FOR INCIDENTAL OR CONSEQUENTIAL DAMAGES OF ANY NATURE. ANY IMPLIED WARRANTY, INCLUDING MERCHANTABILITY OR FITNESS FOR A PARTICULAR PURPOSE, ON THIS PRODUCT IS LIMITED IN DURATION TO THE DURATION OF THIS WARRANTY. Some regions do not allow the exclusion or limitation of incidental or consequential damages or limitations on how long an implied warranty lasts, so the above limitations or exclusions may not apply to you. This warranty gives you specific legal rights, and you also may have other rights which vary from region to region. This warranty applies only to the original Purchaser of this product.

**B.** At its option, Honeywell will repair or replace this product if it is found to be defective in material or workmanship within the warranty period. Defective product should be returned to the place of purchase in accordance with store policy or to Honeywell.

**C.** This warranty does not cover damage resulting from unauthorized attempts to repair or from any use not in accordance with this manual.

**D.** This warranty **DOES NOT** cover the pre-filter or the HEPA filter except for material or workmanship defects.

**E. Return defective product** to the following address with a brief description of the problem. Include proof-of-purchase and a U.S. \$10.00/Can \$15.00 check or money order for handling, return packing and shipping charges. Please include your name, address and daytime phone number. You must prepay shipping charges. Mark carton **“Attention Repair Department”**

#### Ship to:

Honeywell Returns Dept.  
4755 Southpoint Drive  
Memphis, TN 38118  
U.S.A.

#### In Canada:

Honeywell Consumer Products Canada  
510 Bronte St. South  
Milton, Ontario Canada L9T 2X6

If you experience a problem with your air cleaner, please see owner's guide for instructions. Please do not attempt to repair the air cleaner yourself. Doing so may void the warranty and could cause damage or personal injury. If the problem still persists, please call:

Honeywell  
Consumer Relations Dept.  
Toll Free 1-800-332-1110.

#### Mail Questions or Comments to:

Honeywell  
Consumer Relations Dept.  
250 Turnpike Road  
Southborough, MA01772  
U.S.A.  
or e-mail us at: [service@honeywell.com](mailto:service@honeywell.com).

## Free Manuals Download Website

<http://myh66.com>

<http://usermanuals.us>

<http://www.somanuals.com>

<http://www.4manuals.cc>

<http://www.manual-lib.com>

<http://www.404manual.com>

<http://www.luxmanual.com>

<http://aubethermostatmanual.com>

Golf course search by state

<http://golfingnear.com>

Email search by domain

<http://emailbydomain.com>

Auto manuals search

<http://auto.somanuals.com>

TV manuals search

<http://tv.somanuals.com>