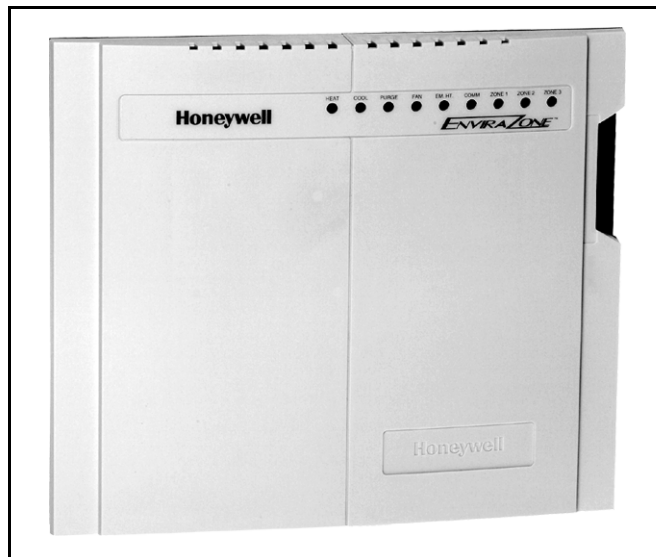


## W8835 EnviraZone Panel

### PRODUCT DATA



### FEATURES

- Controls up to three stages heat and two stages cooling of single-stage, multi-stage, conventional, or heat pump.
- Controls up to three zones and can be expanded up to nine zones with two W8703A DIM.
- Uses VisionPRO® IAQ or FocusPRO communicating thermostats for manual or automatic changeover by zone.
- Supports dehumidification, humidification and ventilator controls.
- Purge timer protects equipment between calls for heat or cool with choice of panel or HVAC equipment-controlled fan.
- System and zone damper LEDs indicate system and damper status.
- Individual zone fan control.
- Supports C7835 Discharge Air Temperature Sensor for capacity control with adjustable high and low limits and equipment failure indication.
- Controls dual fuel equipment when used with an external fossil fuel kit.

### APPLICATION

The W8835 EnviraZone Panel controls single-stage, multi-stage, conventional or heat pump heat/cool equipment. It controls three zones, and is expandable up to nine zones with two additional W8703A Damper Interface Modules (DIM). For Internet access: <http://yourhome.honeywell.com>.

For technical support, call: 1-800-828-8367.

#### IMPORTANT

*Please read these instructions and keep them in your records.*

### Contents

Application .....	1
Features .....	2
Specifications .....	2
Ordering Information .....	2
Installation .....	4
Startup and Checkout .....	8
Operation .....	8
Troubleshooting .....	11



68-0258ES-04

## SPECIFICATIONS

### Input Ratings:

Voltage: 20-30 Vac, 50/60 Hz.  
Power: 11 VA nominal, Class II.

### Output Ratings (dampers and HVAC equipment):

1.5A run, 200,000 cycles (30 Vac) 3.5A inrush.  
1.5A run, 100,000 cycles (30 Vac) 7.5A inrush.

### Humidity Ratings:

90 percent RH at 95°F, non-condensing.

### Temperature Ratings:

Shipping: -20 to 120°F.  
Operating: -40 to 150°F.

### LED:

SYSTEM mode LEDs (5) used to communicate equipment status:

- Red Heat: Heat mode.
- Green Cool: Cool mode.
- Yellow Purge: Purge mode.
- Green Fan: Fan mode.
- Red Em Heat: Emergency Heat mode.

ZONE LEDs (3) used to communicate damper status:

- Green: Dampers are open or opening.
- No Color: Dampers are closed or closing.

COM LED (1) used to indicate communication status:

- Flashing Green: Panel is transmitting or has received data.
- No color: Communications are idle.

**Dimensions:** 12-3/4 in. W x 10-3/4 in. H x 1-7/8 in. D.

See Fig. 1.

**Finish:** W8835: Taupe cover, olive-gray base.

**Mounting:** Mounts with four screws (provided) through holes in cabinet back (wall anchors provided).

**Wiring:** Eighteen-gauge wire for all equipment and system connections.

### Wiring Connections:

EnviraCom: Four terminal strips (each with three terminals labeled 1, 2, 3).

Dampers: Three terminal strips labeled M6 (Closed), M4 (Open), M1 (Common).

Transformer 1: R (hot), C (Common).

Transformer 2: T1 (hot), T2 (Common).

Equipment: Rc, Rh, W1/E, W2, W3/Aux, Y1, Y2, G, O/B.

Humidifier: HUM, HUM.

Dehumidifier: DHUM, DHUM.

Ventilator: VENT, VENT.

### Thermostats:

VisionPRO® IAQ TH9421 or FocusPRO THM5320C Thermostats controls single- or multi-stage conventional and heat pump equipment.

### Accessories:

For required accessories, see Table 2. Optional accessories include the W8735 Telephone Access Module for telephone dial-in and dial-out capability, and the W8703 Damper Interface Module to control additional zones.

## ORDERING INFORMATION

When purchasing replacement and modernization products from your TRADELINE® wholesaler or distributor, refer to the TRADELINE® Catalog or price sheets for complete ordering number.

If you have additional questions, need further information, or would like to comment on our products or services, please write or phone:

1. Your local Honeywell Automation and Control Products Sales Office (check white pages of your phone directory).
2. Honeywell Customer Care  
1885 Douglas Drive North  
Minneapolis, Minnesota 55422-4386

In Canada—Honeywell Limited/Honeywell Limitée, 35 Dynamic Drive, Toronto, Ontario M1V 4Z9.

International Sales and Service Offices in all principal cities of the world. Manufacturing in Australia, Canada, Finland, France, Germany, Japan, Mexico, Netherlands, Spain, Taiwan, United Kingdom, U.S.A.

**Dampers:**

See Table 1 for suggested dampers. Dampers are connected to M1 Common, M4 Open, and M6 Closed (see Fig. 5 through 8 for hookups). Connect no more than five ARD or ZD dampers to an individual zone.

Connect no more than five ARD or ZD dampers to the panel when using one 40 VA transformer; connect no more than ten ARD or ZD dampers when using two 40 VA transformers.

Use SDCR for additional dampers required. If using RRD dampers, refer to RRD installation instructions for maximum number of dampers.

Motor Terminal	Damper Action
Common/M1	Common
Open/M4	Power Open
Closed/M6	Power Close

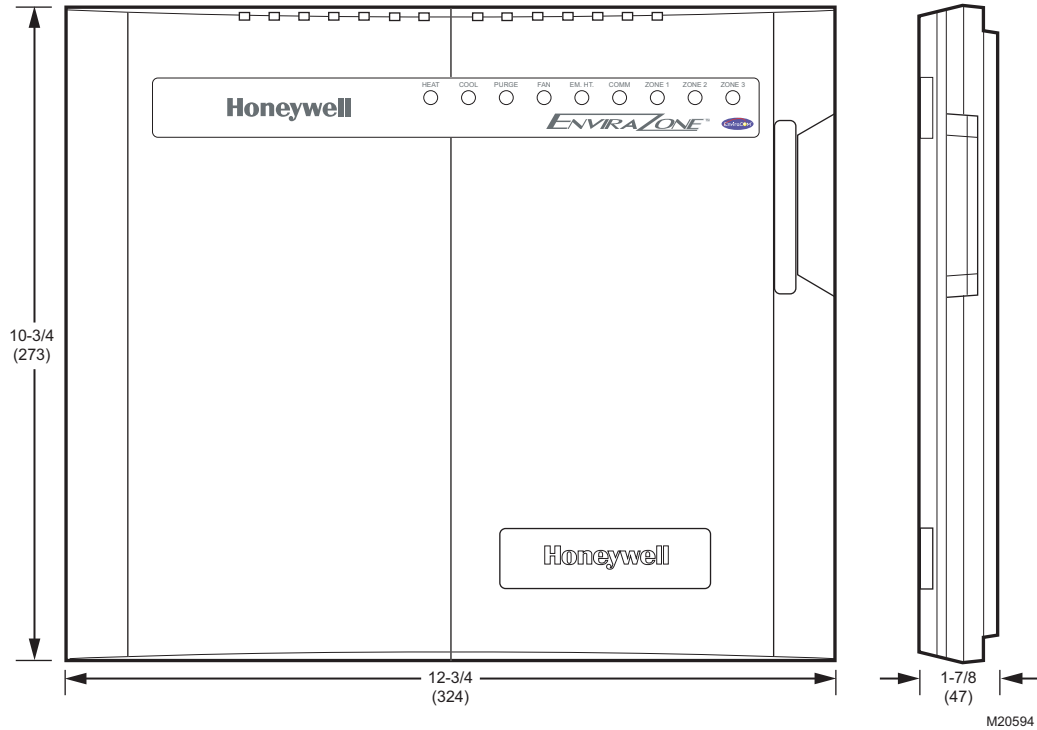


Fig. 1. W8835 dimensions in in. (mm).

Table 1. Recommended Dampers

Honeywell Damper Type	Round	Rectangular
For systems > 2000 cfm.	MARD or RRD	For recommended dampers, call the Honeywell Zoning Hotline at 1-800-828-8367.
For systems <= 2000 cfm.	ARD or RRD	ZD

Table 2. Required Accessories (Not Supplied with Panel).

Accessory	Description	Bypass Rating (cfm)
40 VA transformers	AT140A1042 <sup>a</sup>	—
High and low limit sensor	C7835A1009 <sup>a</sup>	—
Round static pressure regulator damper	SPRD7 SPRD8 SPRD9 SPRD10 SPRD12 SPRD14 SPRD16	300 400 600 750 1200 1800 2400
Rectangular static pressure regulator damper	SPRD12x8 SPRD12x10 SPRD12x12 SPRD20x8 SPRD20x10 SPRD20x12	1000 1200 1400 1600 2000 3000

<sup>a</sup>Supplied in the Y8835 kits.

## INSTALLATION

### Mounting

#### CAUTION

**Equipment Damage Hazard.**  
Do not mount W8835 inside HVAC equipment.  
Mount only on wall or on cold air return.

1. Mount the thermostats in each zone of the living space using the installation instructions provided with each thermostat.
2. Mount the dampers in the ductwork using the installation instructions provided with each damper.
3. Mount the W8835 EnviraZone Panel near the HVAC equipment; locate it on a wall or on the cold-air return. See Fig. 2.
4. Level the W8835 for appearance only.

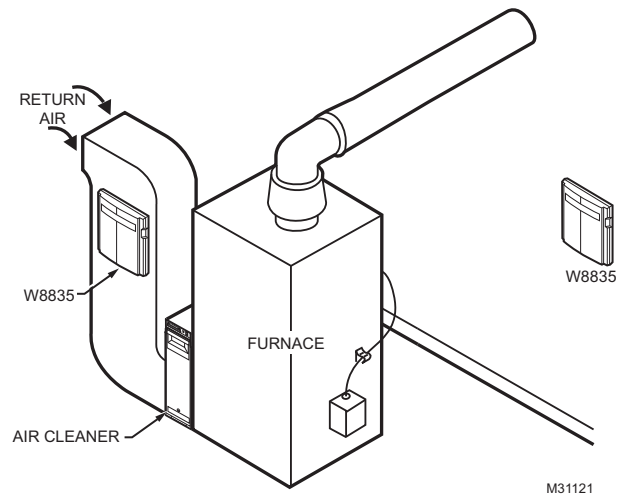


Fig. 2. W8835 mounting location.

### Wiring

#### CAUTION

**Voltage Hazard.**  
Can cause electrical shock or equipment damage.  
Disconnect power before continuing installation.

Wiring must comply with applicable codes, ordinances, and regulations.

### Wiring Thermostats

Run wire from the Thermostat 1, 2, 3 terminals to the corresponding terminals on any one of the EnviraCom bus terminal sets. More than one thermostat or other communicating device can be connected to a bus terminal. See Fig. 3.

### Wiring Equipment

#### CONVENTIONAL EQUIPMENT

Connect the first stage heat to W1/E, second stage heat to W2, and third stage heat to W3/Aux. Wire first stage cooling to Y1, and second stage cooling to Y2. See Fig. 3.

If separate HVAC equipment transformers are used for the heating and cooling systems, such as for an oil furnace, wire the heating transformer hot wire to Rh and the cooling transformer hot wire to Rc. Locate the Rh/Rc jumper above the equipment terminals and remove the jumper to expose the two pins.

#### HEAT PUMP EQUIPMENT

Connect the Y1 terminal to the first stage compressor, and the Y2 terminal to the second stage compressor. W3/Aux is the auxiliary heat and W1/E is the emergency heat. If emergency heat and auxiliary heat use the same piece of equipment, place a jumper from W3/Aux to W1/E and wire it to the resistive heat equipment. See Fig. 4 and 5. See Fig. 6 and 7 for two-stage heat pump equipment.

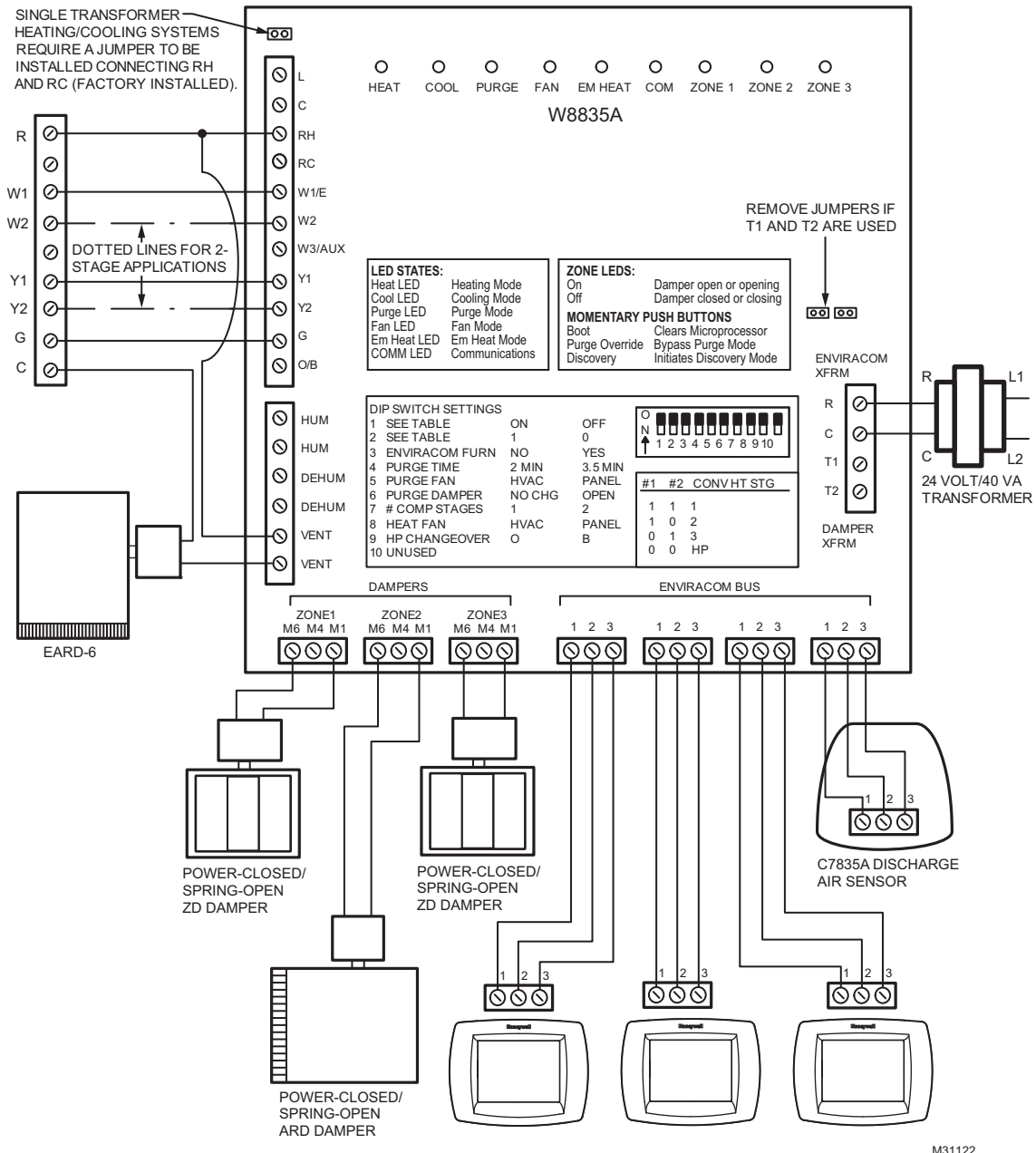
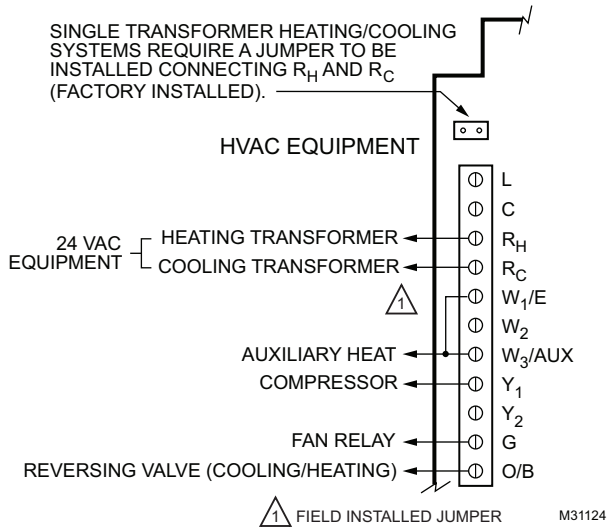


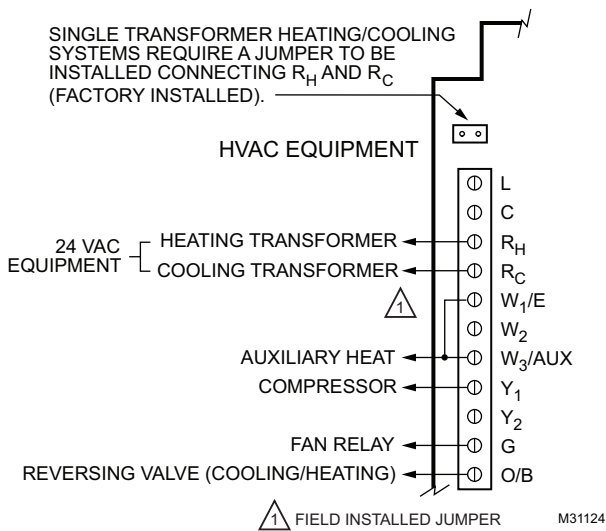
Fig. 3. Conventional equipment wiring diagram.

For dual fuel equipment using heat pump and fossil fuel, configure the panel as a heat pump and use a fossil fuel kit. Do not use the dual fuel functionality of the VisionPRO® IAQ.

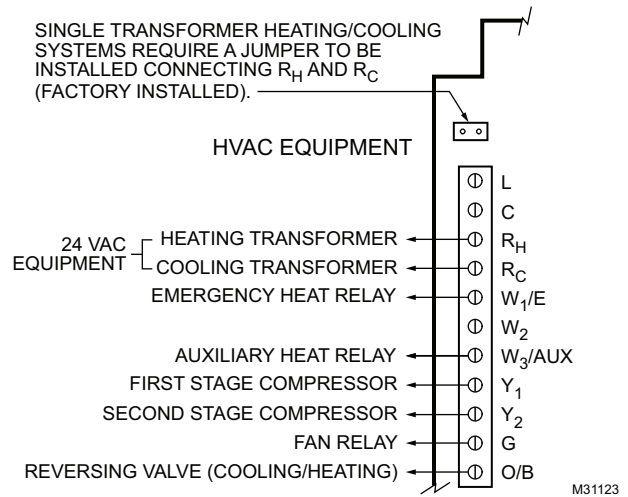
## Wiring HVAC Equipment



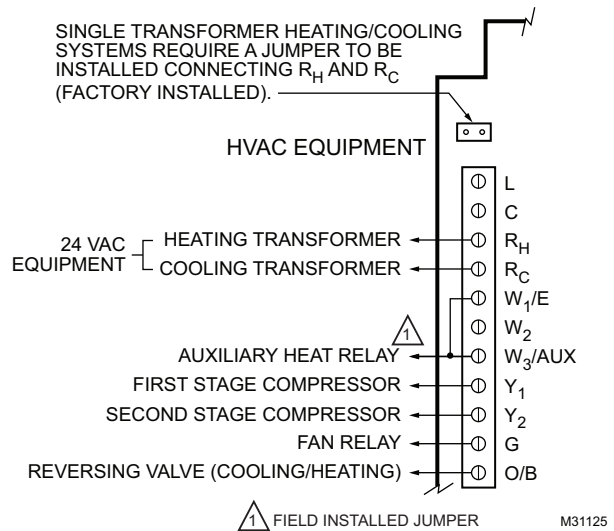
**Fig. 4. Wiring single-stage heat pump with separate Auxiliary and Emergency Heat.**



**Fig. 5. Wiring single-stage heat pump with Auxiliary Heat.**



**Fig. 6. Wiring two-stage heat pump with separate Auxiliary Heat.**



**Fig. 7. Wiring two-stage heat pump with Auxiliary Heat.**

### ARD or ZD Dampers

Wire the ARD or ZD Damper to the panel as shown in Fig. 8. Multiple dampers can be wired in parallel. Up to five ARD or ZD dampers can be connected in parallel to one zone. If five to ten dampers are connected to the panel an additional 40VA transformer must be connected to the panel.

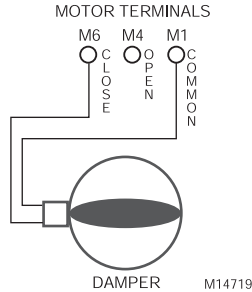


Fig. 8. Wiring ARD or ZD damper to panel.

### RRD

Wire the RRD dampers to the panel as shown in Fig. 9. Two or more RRD can be wired in tandem as shown in Fig. 10. Up to 12 RRD can be wired to one zone. Power the panel with one 40VA transformer if up to 12 dampers are connected to the panel. Power the panel with two 40VA transformers if up to 26 RRD are connected to the panel.

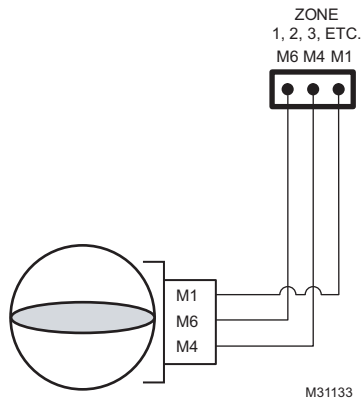


Fig. 9. Wiring RRD damper to panel.

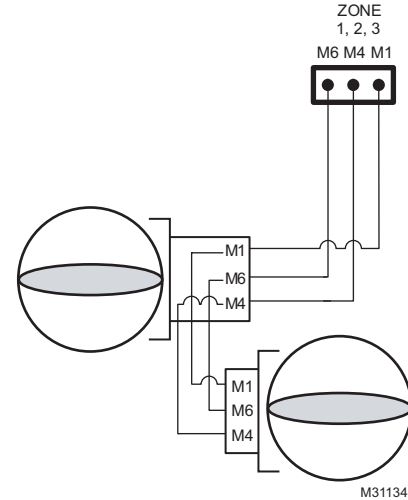


Fig. 10. Wiring two RRD dampers in parallel.

### MARD Dampers or Dampers using ML6161 Motor Actuator

Wire the MARD Damper or other damper using the ML6161 Actuator to the panel as shown in Fig. 11. These floating control actuators are controlled as two-position devices on the W8835 panel.

The ML6161 motor causes the damper LED to illuminate green constantly. To restore damper position indication, mount end switch 201052B onto the ML6161.

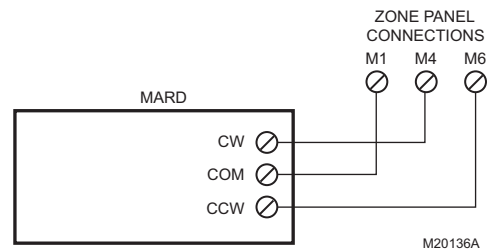


Fig. 11. Wiring MARD Damper or ML6161 Actuator to panel.

### Transformer

Wire the transformers to the panel (see Fig. 12). One 40 VA, 24 Vac transformer is required to operate the panel and up to five ARD or ZD dampers. The transformer is connected to terminals R and C. The auxiliary transformer is required if up to ten dampers are connected to the panel. It is wired to terminals T1 and T2. If more than five ARD or ZD dampers are required for one zone or if more than ten ARD or ZD dampers are required for the W8835, use the Slave Damper Control Relay (SDCR). Locate the XFRM jumper shown in Fig. 12. These jumpers are shipped in the open, disconnected position. This is the correct position when two transformers are used. When using one transformer to power the panel, place the jumpers in the closed position. Do this by removing the jumpers and installing them so they cover both of their respective pins. If preferred, one 75 VA transformer may be used on this panel instead of two 40 VA. If this is done, leave the jumpers in the open, disconnected position and install a jumper between R and T1. Wire the transformer to R and C.

## CAUTION

**Equipment Damage Hazard.**  
**Incorrect transformer wiring can damage panel.**  
 Wire transformers in phase when one transformer is wired to R and C and the auxiliary transformer is wired to T1 and T2.

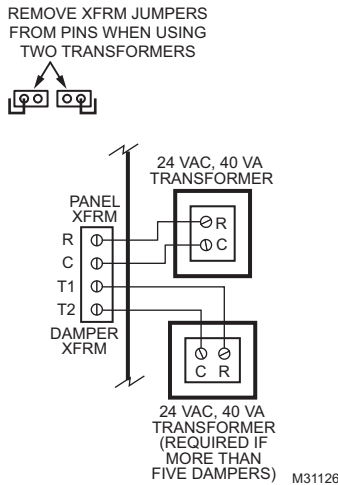


Fig. 12. Wiring transformer(s) to panel.

## Wiring C7835 Discharge Air Temperature Sensor

Connect wire terminals 1, 2, and 3 to the corresponding terminals on either the W8835 EnviraZone panel or any other EnviraCom device such as a thermostat. Refer to C7835 Installation Instructions for configuration. Multiple devices can be wired in parallel to each of the 1, 2, 3 terminals.

## STARTUP AND CHECKOUT

1. Verify that the equipment, thermostats, transformer, and Discharge Temperature Sensor are wired correctly. If one transformer is powering the panel, install the XFRM jumper. If two transformers are powering the panel, leave the XFRM jumper in the open position.
2. Power up the W8835. Verify that all LEDs except COM illuminate for five seconds. The board should then enter the Purge mode with all dampers open. The damper LEDs are green to indicate the dampers are open. The COM LED begins to blink.
3. Press the Purge Override button to terminate the Purge mode.

4. On the W8835 Panel, set the DIP switches.
  - a. Set DIP switches 1, 2, and 7 to assign the appropriate number of heating and cooling stages. See Tables 5 and 6.
  - b. Configure other DIP switches, as necessary to fit the application. See Table 6.
5. On each thermostat, enter the Installer Setup procedures using the VisionPRO® IAQ Installation Instructions and assign each thermostat a zone number to correspond with its zone damper.
6. Run Discovery by pressing the Discovery button on the zone control panel.
7. On each thermostat, enter the Installer Setup procedures using the Installation Instructions and configure other pertinent Installer Setup options. Program the thermostat schedule if the default settings are not desired.
8. Run Discovery by pressing the Discovery button on the panel.
9. Set Zone one thermostat to heat and raise the setpoint to call for heat.
  - a. Verify that the heat LED is red.

NOTE: The furnace heat may not come on immediately. Allow at least 5 minutes for heat to begin after the thermostat calls for heat.

- b. Verify that Zone one LED remains green.
  - c. Verify that all other zone LEDs are not illuminated.
  - d. Change thermostat mode from Heat to Off.
10. Set Zone two thermostat to heat and raise the setpoint to call for heat.
    - a. Verify that the heat LED is red.
    - b. Verify that Zone two LED remains green.
    - c. Verify that all other zone LEDs are not illuminated.
    - d. Change thermostat mode from Heat to Off.
  11. Alternatively, set a thermostat to Cool, lower the setpoint to call for cooling, wait five minutes, and verify correct operation.

## OPERATION

### Sequence of Operation

When there is no call for heat, cool or fan, the board is in the idle mode, indicated with no system LEDs illuminated, see Table 3. Damper LEDs are green to indicate open. On a call for heat, cool, or fan, the calling zone damper stays open and the damper LED remains illuminated; the other zone dampers close and corresponding damper LEDs do not illuminate.

The W8835 panel energizes the HVAC equipment and conditioned air is delivered to the calling zone. The heat LED (red), cool LED (green), or fan LED (green) illuminates to indicate equipment operation.

The fan LED illuminates only on a call for fan; it does not illuminate during a call for heat or cool. When the heat/cool call is satisfied, the system enters the Purge mode, indicated by the Purge LED (yellow). Damper positions either remain in the same positions as at the end of the call for heat or cool (default) or open, depending on the position of DIP switch 6. After purge, all dampers return to the Open position.



## COM LED Operation

The green COM LED flickers as the W8835 communicates with the other EnviraCom devices:

LED blinks rapidly—indicates device is currently transmitting information on the communications bus.

LED blinks once—indicates device received and acknowledged a message.

LED on constantly— indicates panel failure. Replace panel.

LED off constantly—indicates a wiring problem.

**Table 3. LED Indicators<sup>b</sup>**

LED	Color	Illuminated	Not Illuminated
Heat	Red	Heat call.	No heat calls.
Cool	Green	Cool call.	No cool calls.
Purge	Amber	Purge mode.	Not in Purge mode.
Fan	Green	Fan only call.	No fan only call.
Em Heat	Red	Emergency Heat mode.	Not in Emergency Heat mode.
Zone 1, 2, 3	Green	Damper is open or opening.	Damper is closed or closing.

<sup>b</sup>An LED change precedes the corresponding relay change by as much as six seconds.

## Purge Mode

At the end of every call for heat or cool, the panel enters a Purge mode. DIP 4 configures the panel to purge for two (default) or three and one-half minutes. DIP switch 5 configures the panel or the HVAC equipment to operate the fan during purge.

The Purge LED lights to signal that the system is in the Purge mode. Pressing the purge override button overrides the Purge mode.

Unless there is a new call for heat or cool during the Purge mode, all dampers are moved to the Open position at the end of purge. DIP switch 6 is used if it desired to open all dampers during the Purge mode.

**Table 4. Purge Configuration**

DIP Switch Number	Status	Purge
4	Off (Down)	3.5 minutes purge
4	On (Up)	2 minutes purge

**Table 5. Fan Control Configuration**

DIP Switch Number	Status	Fan Control
5	Off (Down)	Panel control of fan in Purge
5	On (Up)	HVAC control of fan in Purge

**Table 6. Purge Damper Configuration**

DIP Switch Number	Status	Purge Damper
6	On (Up)	Last zone(s) calling open during Purge
6	Off (Down)	Open all dampers during Purge

## Individual Zone Fan Control

When all zones are satisfied, the fan switch of each thermostat controls the fan operation for that zone. When the fan setting is “On”, the fan is energized, the fan LED illuminates and the dampers close to zones where the fan setting is “Auto”. If there is a call for heat or cool during this time, the fan mode ceases, and the heat or cool call is honored. When the zone calling is satisfied, and Purge mode has ended, the fan call resumes.

## Single and Multi-Stage Conventional Heat Operation

The panel can control up to three stages of heating and two stages of cooling based on thermostat demand. Set DIP switches 1 and 2 for 1, 2 or 3 stages of heat. Set DIP switch 7 for one or two stages of cooling.

**Table 7. Conventional Equipment Configuration**

1 Stage Cooling		
Equipment Type	DIP 1	DIP 2
1 Stage Conventional	On (Up)	On (Up)
2 Stage Conventional	On (Up)	Off (Down)
3 Stage Conventional	Off (Down)	On (Up)
2 Stage Cooling		
Cooling Stage	DIP7	
1 Stage	On (Up)	
2 Stage	Off (Down)	

## Heat Pump Operation

The panel can control one or two compressor stages plus auxiliary heat. Set DIP switch 1 and 2 to Off; set DIP switch 7 to On for a single-stage compressor and to Off for a two-stage compressor.

**Table 8. Heat Pump Equipment Configuration**

Equipment Type	DIP 1	DIP 2
Heat Pump	Off (Down)	Off (Down)
Compressor Stages	DIP 7	
1 Stage	On (Up)	
2 Stage	Off (Down)	
Heat Pump Changeover	DIP 9	
O (Cool)	On (Up)	
B (Heat)	Off (Down)	

Wire the reversing valve to the O/B equipment terminal. DIP switch 9 configures this terminal to operate as an O (cool) or B (heat) changeover terminal.

## Hydronic Heat Operation

The W8835 is a forced air panel. However, it can be wired to control hydronic valves as shown in figure 13. To control valves or circulators on a hydronic panel, see figure 14.

## Thermostat Operation

### Dual Fuel Equipment

The W8835 can operate Dual fuel equipment when used with an external fossil fuel kit. Locate the thermostat on the fossil fuel kit instructions and wire the W8835 equipment terminals there.

### Emergency Heat Control

Emergency heat is defined as using an auxiliary heat source without using the heat pump. The W8835 energizes the E terminal on a call for emergency heat. The thermostat system switch is set to Em Heat to engage this function. When active, any zone calling for heat uses Emergency Heat, not the compressor.

The panel energizes W3 as auxiliary heat with the Y1 and Y2 for compressor control in when not in emergency heat.

### Manual and Automatic Changeover Operation

Each of the thermostats can be set for manual or automatic changeover. If one or more thermostats call for cooling while one or more thermostats call for heating, the panel attempts to satisfy the greatest demand first.

Then, based on the relative demand for heating and cooling, the panel intelligently switches between heating and cooling. The system attempts to satisfy both the heating and cooling demands, and does not lock out one demand in favor of the other.

## Discovery

Discovery is an automatic system configuration program where the panel configures itself to operate with controls connected to the EnviraCom bus. The panel enters Discovery when the Discovery button on the panel is pressed.

## Rebooting Microprocessor

To reset the microprocessor, press and release the Boot button. The system reboots and enters the Purge mode.

## EnviraCom Furnace

For furnaces with EnviraCom communications built in, configure the panel as shown below. In this case, no conventional equipment wiring is necessary because the W8835 uses the 3-wire EnviraCom bus to control the HVAC equipment. In these installations, the panel is powered from the HVAC equipment via the 1, 2, 3 wires. Because of this, the transformer R and C terminals on the W8835 are not used. Instead, leave the XFMR jumpers in their default disconnected position and wire the transformer to T1 and T2.

**Table 9. Furnace Type Configuration**

Type of Equipment	DIP 3
Conventional	On (Up)
EnviraCom	Off (Down)

## Humidity, De-humidity and Ventilation Control

The panel can control humidity, de-humidity, and ventilation by receiving messages from the VisionPRO® IAQ thermostat. The thermostat designated as zone 1 will have control of these functions. Configure this thermostat as found in the installation instructions for the thermostat.

The humidity, de-humidity, and ventilation terminals are all dry-contact terminals; the relay contacts close when active. So devices that need dry contact control like a ventilator can be wired directly to the VENT terminals, or a steam humidifier can be wired directly to the HUM terminals. Devices that need to be powered like a ventilation damper or some models of evaporative humidifiers are wired using the VENT or HUM terminals wired through the R terminal as shown in Fig. 3.

If using a Honeywell TrueSteam humidifier, configure the zone one VisionPRO IAQ thermostat installer setup #374 to "3", and wire the TrueSteam GF terminal to the HVAC fan terminal, and wire the TrueSteam GT terminal to the G on the W8835.

**NOTE:** When controlling a steam humidifier, set all thermostats to HEAT. Do not set thermostats to AUTO. This prevents the panel from humidifying on zone 1, when another zone is calling for cooling. Alternatively, set zone 1 thermostat Installer Setup 374 to "2" to allow humidification only during calls for heat.

## Discharge Air Temperature Sensor DATS

The C7835A1009 Discharge Air Temperature Sensor (included in the Y8835 kits) is a supply-duct-mounted temperature sensor probe used to control capacity and prevent high plenum temperatures or coil-icing. The sensor is wired to the EnviraCom bus using three wires. When a high or low limit is reached, the panel shuts off the equipment and keeps the fan operating for a minimum of two and one-half minutes. After this time, and any applicable minimum-off times imposed by the HVAC equipment. It re-energizes the equipment when the discharge air has recovered by ten degrees. When the high or low limit is exceeded, the Heat (red) or Cool (green) LED on the DATS flashes.

When the DATS is in a limit condition, the Heat, Cool and Purge LEDs on the W8835 panel continue to operate as if the DATS were not turning the equipment off.

The high and low limit is set on the DATS. The high temperature limit is set from 110°F to 160°F with a small screwdriver or using fingers and the low limit is set at 40°F or 48°F degrees with a jumper.

## Circuit Breaker Protection

A built-in thermal circuit breaker protects the EnviraZone panel against shorts in the damper wiring and EnviraCom bus. It does not protect against shorts in the HVAC equipment wiring into the panel.

When the circuit breaker is tripped, none of the LEDs illuminate and the yellow rectangular component located bottom center on the panel is hot to touch.

- Remove power to the panel for at least five minutes to allow the circuit breaker to cool off and reset.
- To eliminate the short, verify the dampers and transformer wiring.

## Fan On In Heat

The system blower can be set to come on with a call for heat as required for hydro-air or electric heat systems. Set the blower function using DIP switch 8. When configured for heat pump, this DIP switch is not used.

**Table 10. Fan-in-heat Configuration**

DIP Switch 8	Fan Control
Off (Down)	Fan on in heat by panel.
On (Up)	HVAC control of fan.

## Adding Additional Zones

Connect one W8703 to the EnviraCom bus to expand the system up to six zones or connect two W8703 to control up to nine zones:

- Wire the first three zone dampers and thermostats to the W8835 Envirazone Panel.
- Wire the additional dampers to the W8703 panels.
- Set the DIP switches on the W8703 to correspond to the zones being controlled. See W8703 Installation Instructions.
- Wire terminals 1, 2, and 3 from the additional thermostats to terminals 1, 2, and 3 on any of the panels.

# TROUBLESHOOTING

**Table 11. Troubleshooting**

Symptom	Possible Cause	Action
No LEDs are illuminated.	No power to the board.	Check for 24 Vac ( $\pm 10\%$ ) across R and C.
	Transformers out of phase.	If 48 Vac across R and T1, reverse T1 and T2 wires.
	Shorted wire.	Check thermal circuit breaker. If hot, a short exists in wiring.
Damper LEDs on, but no other LEDs illuminate on a call for heat, cool, or fan.	Insufficient voltage.	Check for 24 Vac ( $\pm 10\%$ ) across R and C.
	Incorrect configuration.	Check jumpers and DIP switches for correct configuration.
Heat pump operates incorrectly or not at all.	Incorrect wiring.	Verify equipment terminals wiring.
	Incorrect configuration.	Verify DIP switches configuration.
No damper LEDs are illuminated.	Incorrect configuration.	Verify that XFRM jumpers are set correctly.
Error 35 or 39 message on thermostats.	Incorrect zone numbers.	Verify the thermostat zone numbers are set correctly (1,2,3 etc)
Wait is continuously in the thermostat display	Incorrect configuration	Verify dip switch 3 is set to conventional (Up) position. If controlling a heat pump, verify that thermostats are not configured to lockout the compressor based on outdoor temperature. (This feature is not used on zoned applications)

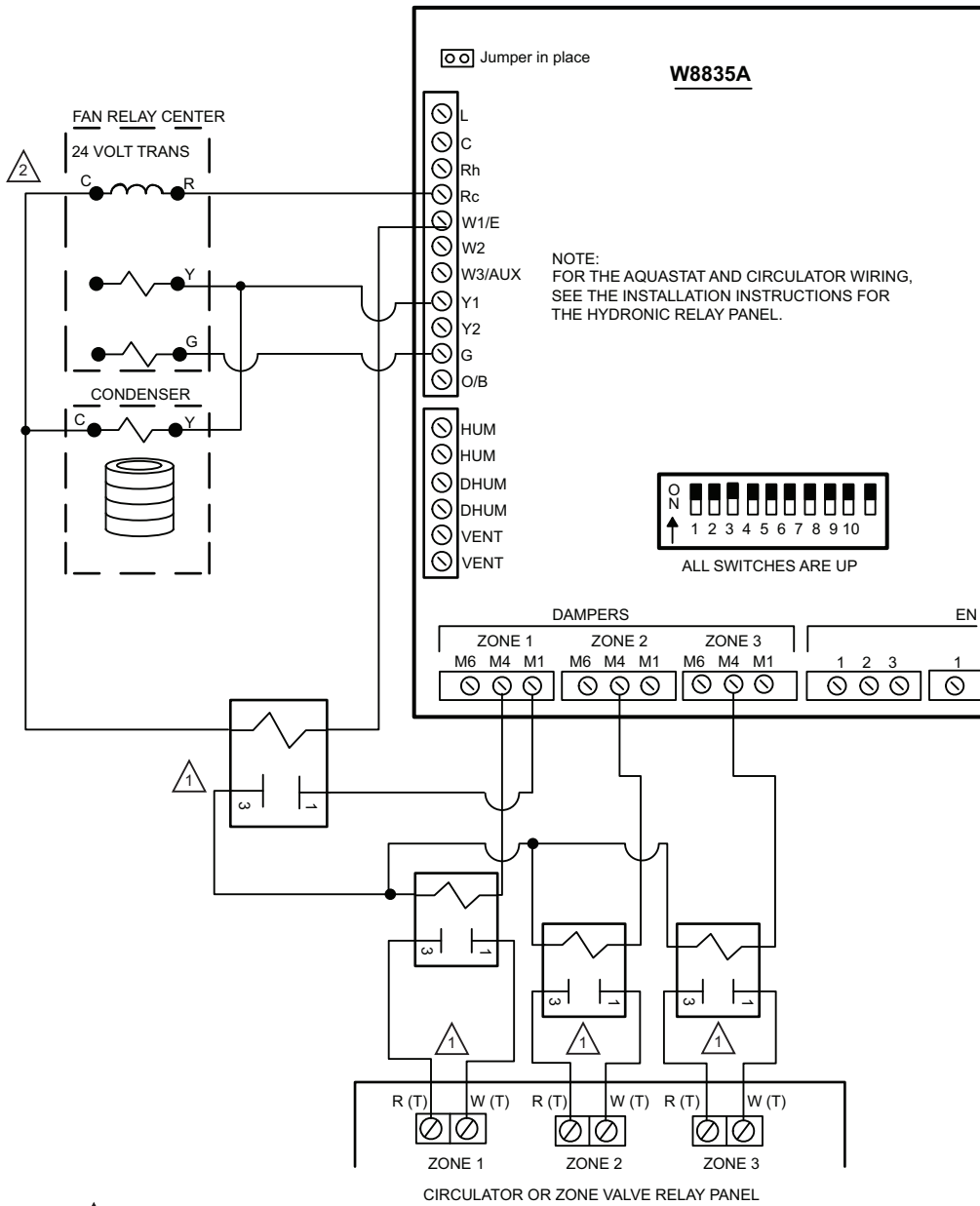
**Table 12. DIP Switches 1 and 2**

<b>Equipment Type</b>	<b>DIP 1</b>	<b>DIP2</b>
1 Stage Conventional	On (up)	On (up)
2 Stage Conventional	On (up)	Off (down)
3 Stage conventional	Off (down)	On (up)
Heat Pump	Off (down)	Off (down)

**Table 13. DIP Switches 3–10**

<b>DIP Switch</b>	<b>Function</b>	<b>On (Up, Default)</b>	<b>Off (Down)</b>
3	Type of furnace	Conventional/non-communicating	EnviraCom Communicating
4	Purge time	Two minutes	3.5 minutes
5	Fan control during purge	HVAC controlled	Panel controlled
6	Damper control during purge	Last zone(s) calling open during purge	Open all dampers during purge
7	Heat pump compressor stages	One stage	Two stages
8	Fan control in heat	Fan controlled by panel in cool and HVAC equipment in heat	Fan controlled by panel in heat and cool
9	Heat pump changeover	O (Cool changeover)	B (heat changeover)
10	Not used	—	—

W8835A controlling a zone valve or circulator relay panel



1 R 8222B1067 RELAYS

2 IF IT IS A HEAT-ONLY APPLICATION THE R AND C WILL COME FROM A TRANSFORMER RATHER THAN A FAN RELAY CENTER. IN THAT APPLICATION THE Y AND G SHOWN IN THIS DIAGRAM WOULD NOT BE USED.

M31127

Fig. 13. Wiring reference, Zone Valve or Circulator Relay Panel

W8835 for hot-water zone valves without a hydronic relay panel

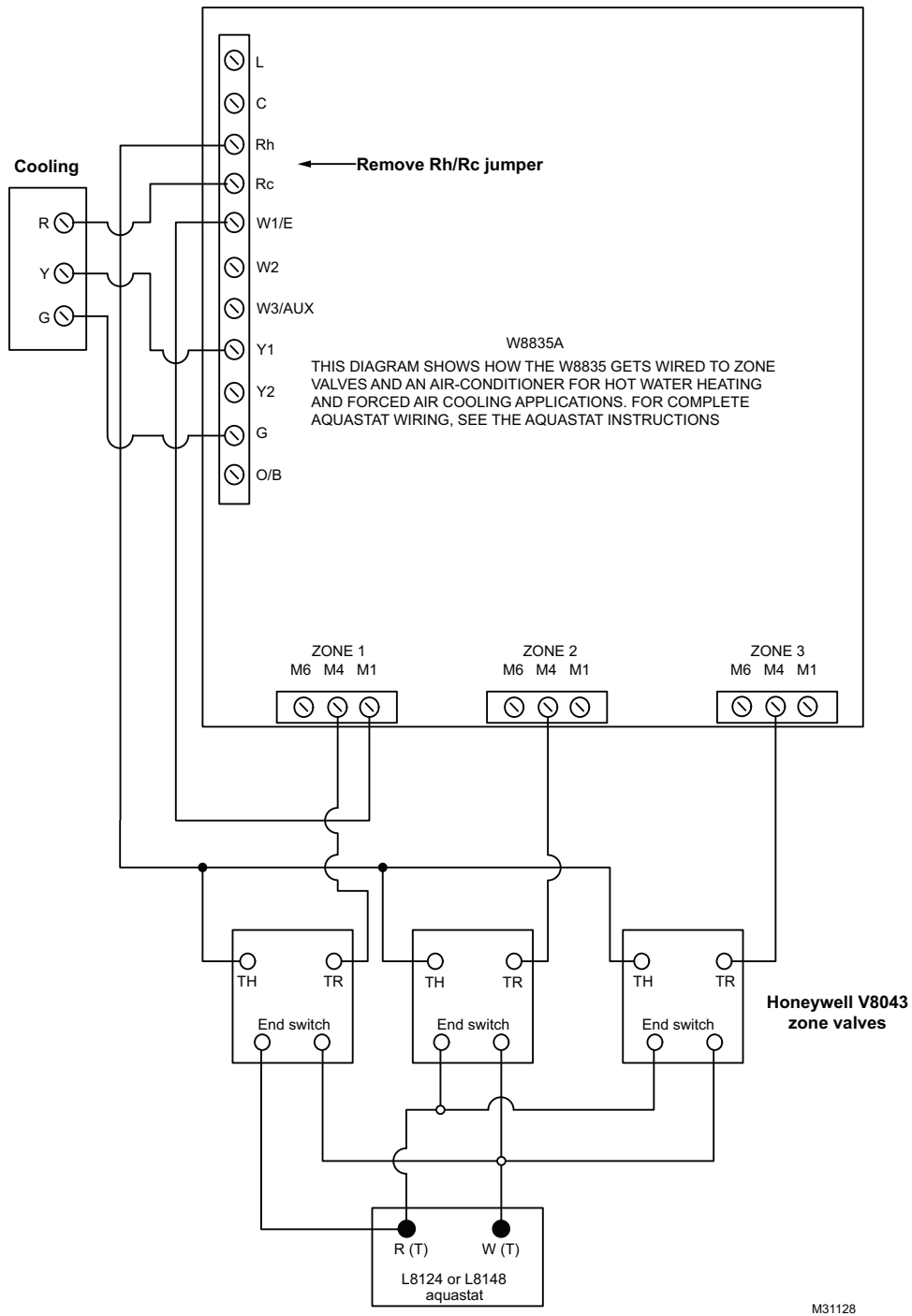


Fig. 14. Wiring Reference Hot Water Zone Valves



## **Automation and Control Solutions**

Honeywell International Inc.  
1985 Douglas Drive North  
Golden Valley, MN 55422  
customer.honeywell.com

Honeywell Limited-Honeywell Limitée  
35 Dynamic Drive  
Toronto, Ontario M1V 4Z9

® U.S. Registered Trademark  
© 2009 Honeywell International Inc.  
68-0258—04 E.K. Rev. 08-09



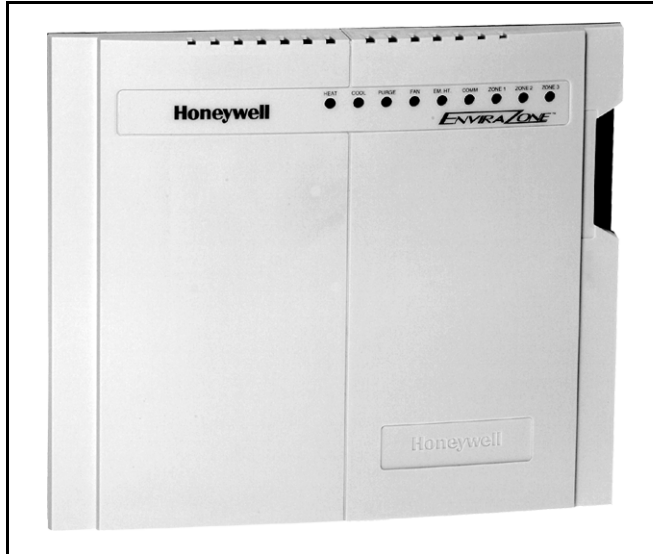
Printed in U.S.A. on recycled  
paper containing at least 10%  
post-consumer paper fibers.

# **Honeywell**



## Panel EnviraZone W8835

### INFORMACIÓN DEL PRODUCTO



### APLICACIÓN

El panel EnviraZone W8835 controla equipos de una sola etapa, de varias etapas, convencionales o bombas de calor para calefacción y refrigeración. Controla tres zonas y puede ampliarse hasta nueve zonas con dos módulos adicionales de interfase del humidificador (DIM) W8703A.

Para obtener información en Internet:  
<http://yourhome.honeywell.com>.

Para obtener asistencia técnica, comuníquese al siguiente número: 1-800-828-8367.

Para obtener más información sobre los productos de Honeywell para mejorar la calidad del aire interior, visite: <http://yourhome.honeywell.com> o comuníquese con el siguiente número: 1-800-345-6770 x531.

\*Agencia de Protección Ambiental de los Estados Unidos (EPA). Estados y tendencias de la calidad de aire nacional, de 1999.

\*\*Indoor Air Pollution. An Introduction for Health Professionals. EPA, Imprenta del Gobierno de los EE. UU. N.º 1994-523-217/81322.

### IMPORTANTE

*Lea estas instrucciones y consérvelas en sus archivos.*

### Contenidos

Aplicación .....	1
Características .....	2
Especificaciones .....	2
Información acerca de los pedidos .....	2
Instalación .....	4
Inicio y revisión .....	8
Funcionamiento .....	9
Solución de problemas .....	12



68-0258ES-04

## CARACTERÍSTICAS

- **Controla hasta tres etapas de calefacción y dos etapas de refrigeración en equipos de una sola etapa, de varias etapas, convencionales o bombas de calor.**
- **Controla hasta tres zonas y puede ampliarse hasta nueve zonas con dos DIM W8703A.**
- **Utiliza termostatos de comunicación VisionPRO® IAQ o FocusPRO para cambio automático o manual por zona.**
- **Admite controles de deshumidificación, humidificación y ventilador.**
- **El temporizador de purgado protege el equipo entre las órdenes de refrigeración o calefacción con la opción de ventilador controlado por el equipo HVAC o por el panel.**
- **Los LED del humidificador de zona y del sistema indican el estado del humidificador y del sistema.**
- **Control del ventilador para zona individual.**
- **Admite el sensor de temperatura de aire de descarga para control de capacidad con límites superiores e inferiores ajustables e indicación de falla del equipo.**
- **Controla equipos de combustible dual si se utiliza con un kit de combustible fósil externo.**

## ESPECIFICACIONES

### Calificación de entrada:

Voltaje: 20-30 V CA, 50/60 Hz.

Electricidad: 11 VA nominal, Clase II.

### Calificaciones de salida (reguladores y equipos de calefacción, ventilación y aire acondicionado):

1,5 A por ciclo, 200 000 ciclos (30 V CA) 3,5 A de corriente de entrada.

1,5 A por ciclo, 100 000 ciclos (30 V CA) 7,5 A de corriente de entrada.

### Rangos de humedad:

90% HR a 95 °F, sin condensación

### Rangos de temperatura:

Envío: -20 a 120 °F.

En funcionamiento: -40 a 150 °F.

### LED:

LED de modo del SISTEMA (5) utilizados para comunicar el estado del equipo:

Calor rojo: modo Heat (calefacción).

Frío verde: modo Cool (refrigeración).

Purgado amarillo: modo Purge (purgado).

Ventilador verde: modo Fan (ventilador).

Luz de emergencia roja: modo Emergency Heat (calefacción de emergencia).

LED de ZONA (3) utilizados para comunicar el estado del humidificador:

Verde: los humidificadores están abiertos o se están abriendo.

Sin color: los humidificadores están cerrados o se están cerrando.

Sin color: los humidificadores están cerrados o se están cerrando.

Verde intermitente: el panel recibió o está transmitiendo información.

Sin color: las comunicaciones están suspendidas.

**Dimensiones:** 12 3/4 in de ancho x 10 3/4 in de alto x 1 7/8 in de profundidad. Vea la Fig. 1.

**Acabado:** W8835: Cubierta marrón topo con base gris.

**Montaje:** Montaje mediante cuatro tornillos (suministrados) colocados a través de los orificios de la parte posterior del gabinete (se suministran anclas de expansión).

**Cableado:** Cable de calibre 18 para todas las conexiones del sistema y del equipo.

### Conexiones de cableado:

EnviraCom: Cuatro regletas de conexiones (cada una con tres terminales designados 1, 2, 3).

Humidificadores: Tres regletas de conexiones designados M6 (cerrado), M4 (abierto), M1 (común).

Transformador 1: R (calor), C (común).

Transformador 2: T1 (calor), T2 (común).

Equipo: Rc, Rh, W1/E, W2, W3/Aux, Y1, Y2, G, O/B.

Humidificador: HUM, HUM.

Deshumidificador: DHUM, DHUM.

Ventilador: VENT, VENT.

Indicador de fallas de la bomba de calor: L, C.

### Termostatos:

Los termostatos VisionPRO® IAQ TH9421 o FocusPRO

THM5320C controlan equipos de una o varias etapas, convencionales o de bomba de calor.

## INFORMACIÓN PARA PEDIDOS

Cuando compre productos de reemplazo y modernización a su mayorista o distribuidor de TRADELINE®, refiérase al catálogo o listas de precios de TRADELINE® para tener el número de pedido completo, o especifique:

1. Número del modelo
2. Voltaje.

Si tiene preguntas adicionales, si necesita más información, o si quisiera dar sus comentarios sobre nuestros productos o servicios, escriba o llame a:

1. Su oficina de ventas local de Automatización y control desenlace (consulte las páginas blancas de su directorio telefónico)
2. Honeywell Customer Care  
1885 Douglas Drive North  
Golden Valley, MN 55422-4386

En Canadá : Honeywell Limited/Honeywell Limitée, 35 Dynamic Dr., Toronto, Ontario, M1V 4Z9. Oficinas internacionales de ventas y servicio en todas las principales ciudades de mundo. Manufactura en Australia, Canadá, Finlandia, Francia, Alemania, Japón, México, los Países Bajos, España, Taiwán, Reino Unido, EE.

**Accesorios:**

Para ver los accesorios necesarios, consulte la Tabla 2. Los accesorios opcionales incluyen el módulo de acceso telefónico W8735 para teléfonos con capacidad de marcación interna y externa, y el módulo de interfaz para regulador W8703 para el control de zonas adicionales.

**Reguladores:**

Consulte la Tabla 1 para ver los reguladores sugeridos. Los reguladores están conectados a M1 común, M4 abierto y M6 cerrado (ver Fig. 5 a 8 para las conexiones). No conecte más de cinco reguladores ARD o ZD a una zona individual. No conecte más de cinco reguladores ARD o ZD al panel cuando se utiliza un transformador de 40 VA; no conecte más de diez reguladores ARD o ZD cuando se utilizan dos transformadores de 40 VA. Utilice un SDCR (relé plano de control de regulador) para los reguladores adicionales necesarios. Si utiliza reguladores RRD, consulte las instrucciones de instalación de un RRD para ver el número máximo de reguladores.

Terminal del motor	Acción del reguladores
M1 (común)	Común
M4 (abierto)	Suministro de energía abierto
M6 (cerrado)	Suministro de energía cerrado

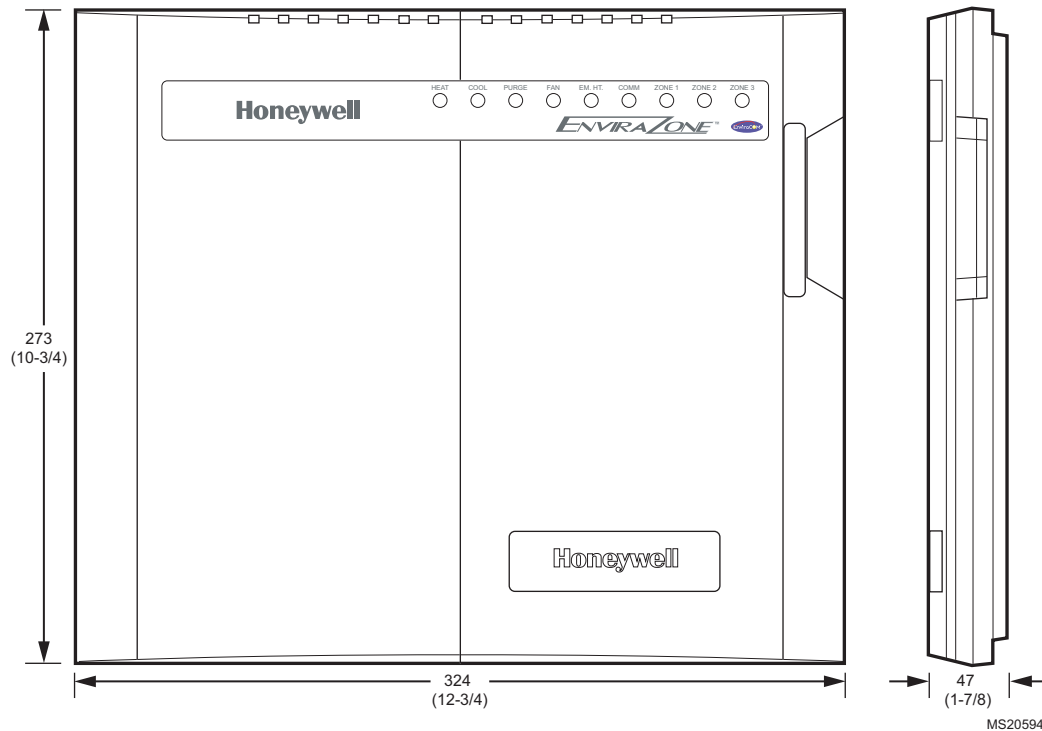


Fig. 1. Dimensiones del W8835 en pulgadas (mm).

Tabla 1. Reguladore recomendados.

Tipo de reguladore de Honeywell	Circular	Rectangular
Apertura accionada por energía/cierre accionado por energía (para sistemas > 2000 cfm).	MARD or RRD	D640/D642 usando el accionador del motor ML6161
Apertura accionada por resorte/cierre accionado por energía (para sistemas <= 2000 cfm).	ARD or RRD	ZD

Tabla 2. : Accesorios necesarios (no incluidos con el panel).

Accesorio	Descripción	Rango de desviación (cfm)
Transformadores de 40 VA	AT140A1042	—
Protector de capacidad	C7835A1009	—
Humidificador circular con regulador de presión estática	SPRD7	300
	SPRD8	400
	SPRD9	600
	SPRD10	750
	SPRD12	1200
	SPRD14	1800
	SPRD16	2400
Humidificador rectangular con regulador de presión estática	SPRD12x8	1000
	SPRD12x10	1200
	SPRD12x12	1400
	SPRD20x8	1600
	SPRD20x10	2000
	SPRD20x12	3000

## INSTALACIÓN

### Montaje



### PRECAUCIÓN

**Peligro de daño en el equipo.**  
**No coloque el W8835 dentro del equipo HVAC.**  
 Colóquelo sólo sobre la pared o en la toma de retorno de aire frío.

1. Coloque los termostatos en cada zona del hogar siguiendo las instrucciones de instalación suministradas con cada termostato.
2. Monte los humidificadores en la red de conductos utilizando las instrucciones de instalación suministradas con cada humidificador.
3. Monte el panel EnviraZone W8835 cerca del equipo HVAC; colóquelo sobre una pared o en la toma de retorno de aire frío. Vea la Fig. 2.
4. Nivele el W8835 sólo para presentarlo.

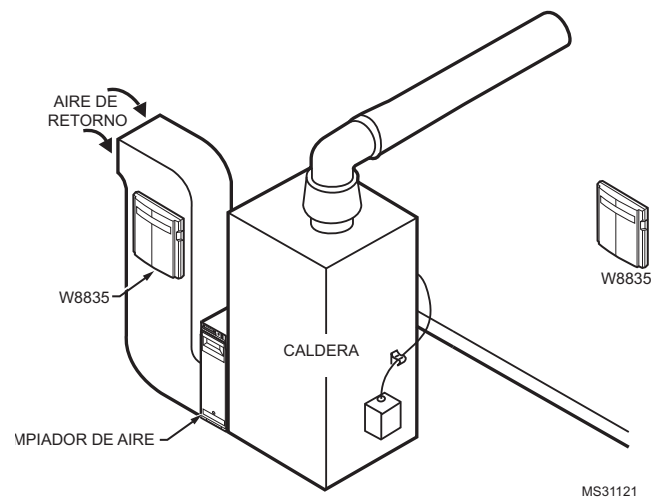


Fig. 2. Ubicación de montaje del W8835.

### Cableado



### PRECAUCIÓN

**Peligro de alta tensión.**  
**Puede ocasionar descargas eléctricas o dañar el equipo.**  
 Desconéctelo de la fuente de energía antes de continuar la instalación.

El cableado debe cumplir con los códigos, las ordenanzas y las reglamentaciones correspondientes.

### Cableado de los termostatos

Extienda el cable desde los terminales 1, 2 y 3 del termostato hasta los terminales correspondientes en uno de los juegos de terminales del bus EnviraCom. Se pueden conectar más de un termostato u otro dispositivo de comunicación a un terminal de bus. Ver Fig. 3.

### Equipo de cableado

#### EQUIPO CONVENCIONAL

Conecte la calefacción de la etapa 1 a W1/E, la calefacción de la etapa 2 a W2 y la calefacción de la etapa 3 a W3/Aux. Conecte la refrigeración de la etapa 1 a Y1 y la refrigeración de la etapa 2 a Y2. Vea la Fig. 3.

Si se utilizan transformadores individuales de equipo HVAC para los sistemas de refrigeración y calefacción, de igual manera que para un sistema de calefacción a gas, conecte el hilo caliente del transformador de la calefacción a Rh y el hilo caliente del transformador de la refrigeración a Rc. Coloque el puente Rh/Rc sobre los terminales del equipo y quite el puente para exponer las dos clavijas.

#### EQUIPO DE LA BOMBA DE CALOR

Conecte el terminal Y1 al compresor de la etapa 1 y el terminal Y2 al compresor de la etapa 2. W3/Aux es la calefacción auxiliar, y W1/E es la calefacción de emergencia. Si la calefacción auxiliar y la calefacción de emergencia utilizan el mismo equipo, coloque un puente desde W3/Aux hasta W1/E y conéctelo al equipo de calor resistivo. Vea las Figuras 4 y 5. Vea también las Figuras 6 y 7 para un equipo de bomba de calor de dos etapas.

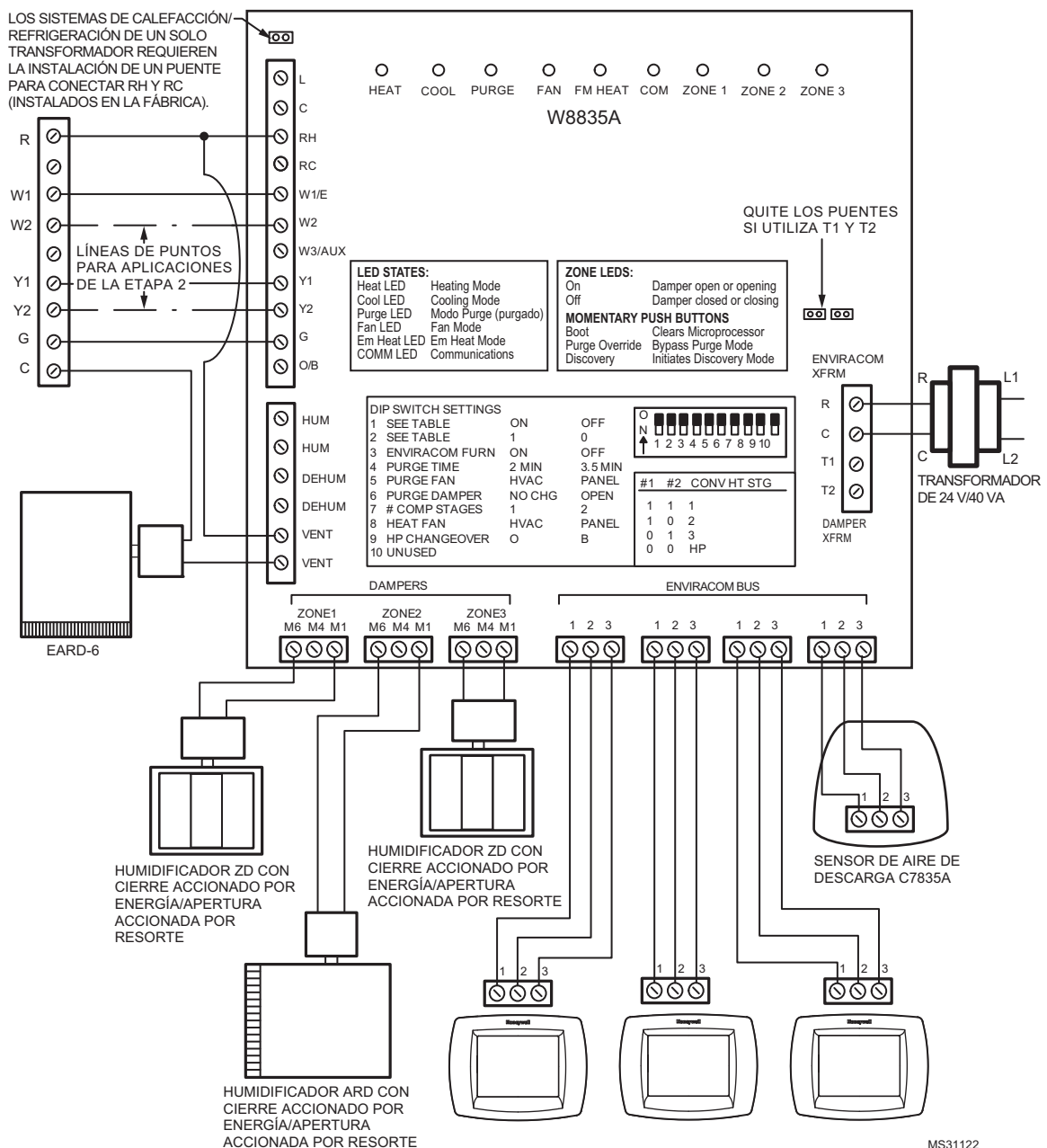
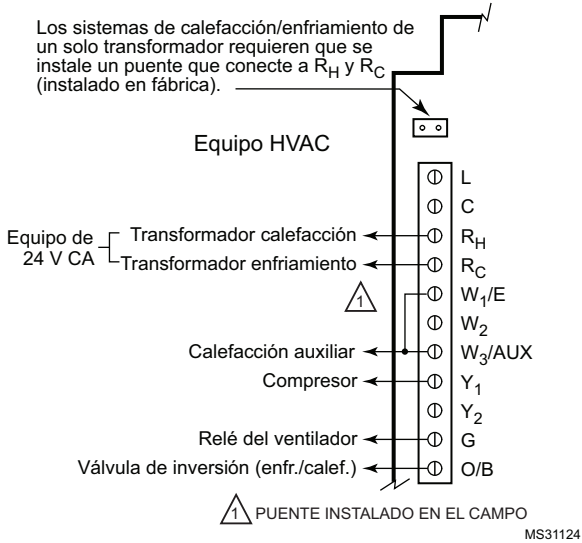


Fig. 3. Diagrama de cableado del equipo convencional.

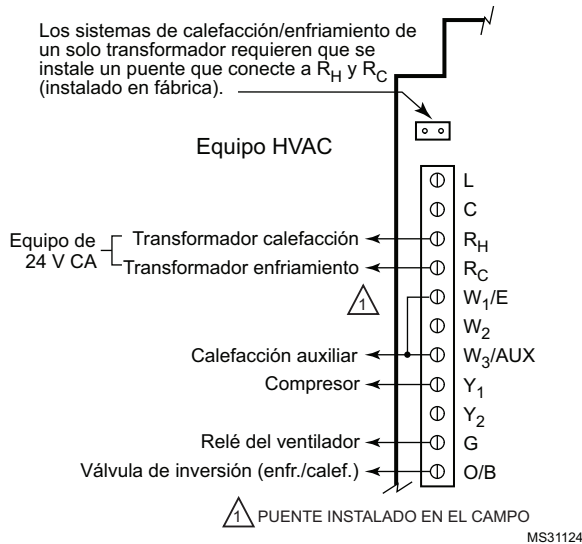
Si el equipo de la bomba de calor tiene un terminal L que se activa en caso de falla de la bomba, conéctelo al terminal L del equipo y conecte C, en la parte izquierda del panel, al terminal común HVAC. Cuando se activa el terminal L, los termostatos iluminan la calefacción de emergencia.

Para equipos de combustible dual que utilizan una bomba de calor y combustible fósil, configure el panel como bomba de calor y utilice un juego de combustible fósil. No utilice la funcionalidad de combustible dual de VisionPRO® IAQ.

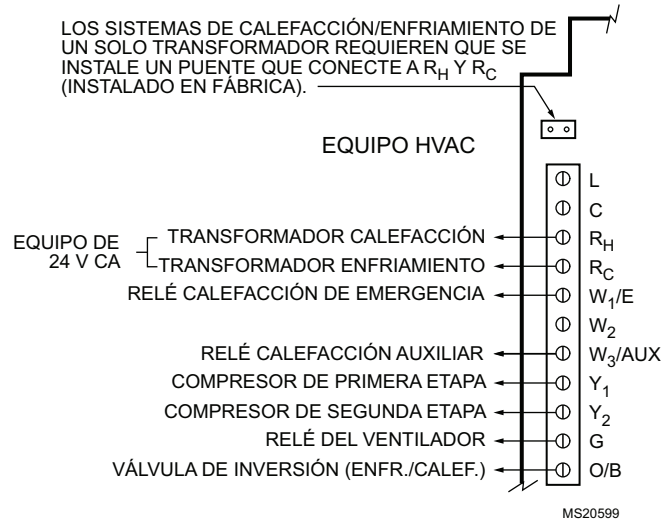
### Cableado del equipo HVAC



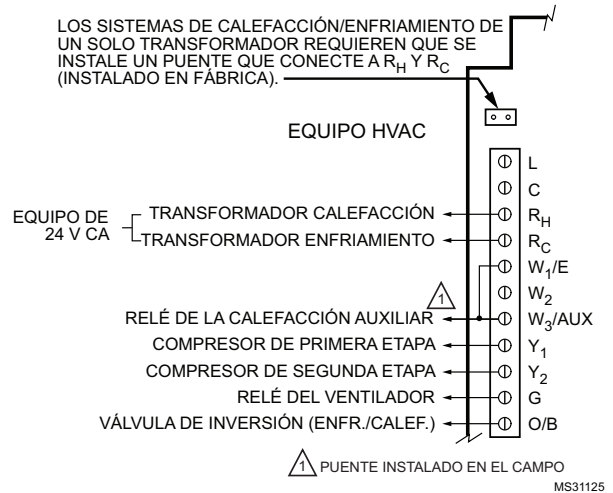
**Fig. 4. Conexión de bomba de calor de una sola etapa con calefacción de emergencia y calefacción auxiliar por separado.**



**Fig. 5. Conexión de bomba de calor de una sola etapa con calefacción auxiliar.**



**Fig. 6. Conexión de bomba de calor de dos etapas con calefacción auxiliar.**



**Fig. 7. Conexión de bomba de calor de dos etapas con calefacción auxiliar.**

## Reguladores ARD o ZD

Conecte el regulador ARD o ZD al panel, tal como se muestra en la Fig. 8. Se pueden conectar varios reguladores en paralelo. Se pueden conectar hasta cinco reguladores ARD o ZD en paralelo a una zona. Si al panel se conectan de cinco a diez reguladores, se deberá conectar un transformador de 40 VA adicional al panel.

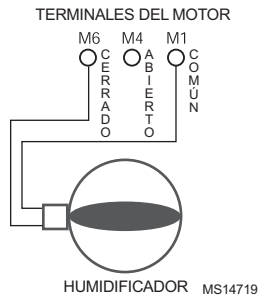


Fig. 8. Conexión del humidificador ARD o ZD al panel.

## RRD

Conecte los reguladores RRD al panel, tal como se muestra en la Fig. 9. Se pueden conectar dos o más RRD en tándem, tal como se muestra en la Fig. 10. Pueden conectarse hasta 12 RRD a una zona. Si se conectan hasta 12 reguladores al panel, aliméntelo con un transformador de 40 VA. Si se conectaron hasta 26 RRD al panel, aliméntelo con dos transformadores de 40 VA.

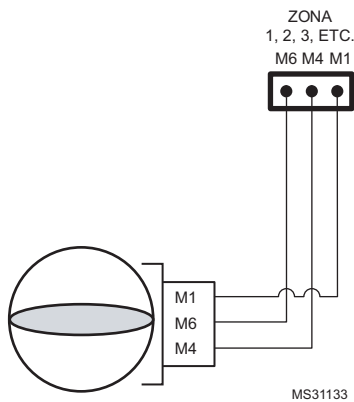


Fig. 9. Conexión del humidificador RRD al panel.

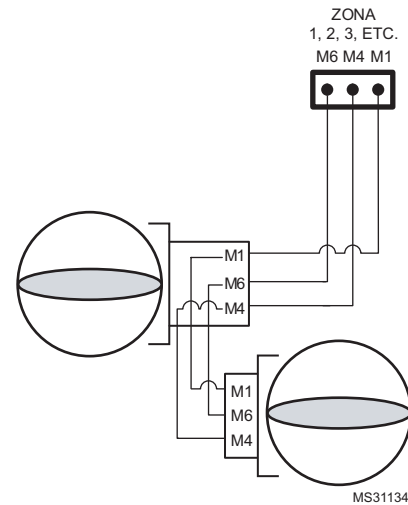


Fig. 10. Conexión de dos humidificadores RRD en paralelo.

## Reguladores MARD o reguladores que utilizan el actuador de motor ML6161

Conecte el regulador MARD u otro regulador que utilice el actuador ML6161 al panel, tal como se muestra en la Fig. 11. Estos actuadores de control flotante son controlados como dispositivos de dos posiciones en el panel W8835.

El motor ML6161 hace que el LED del regulador esté constantemente iluminado de color verde. Para restaurar la indicación de posición del regulador, instale el interruptor terminal 201052B en el ML6161.

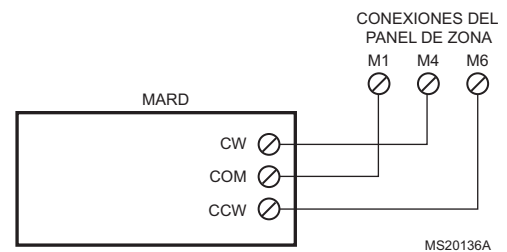


Fig. 11. Cableado del regulador MARD o del actuador ML6161 al panel.

## Transformador

Conecte los transformadores al panel (ver Fig. 12). Se necesita un transformador de 40 VA, 24 V CA para hacer funcionar el panel y hasta cinco reguladores ARD o ZD. El transformador se conecta a los terminales R y C. Si se conectan hasta diez reguladores al panel, se necesitará el transformador auxiliar. El transformador auxiliar se conecta a los terminales T1 y T2. Utilice el relé plano de control del regulador (SDCR) si se necesitan más de cinco reguladores ARD o ZD en una zona o si se necesitan más de diez reguladores ARD o ZD para el W8835. Ubique los puentes XFRM que se muestran en la Fig. 12. Estos puentes se envían en posición abierta desconectada. Esta es la posición correcta si se utilizan dos transformadores. Cuando se utiliza más de un transformador para alimentar el panel, coloque los puentes en posición cerrada. Para hacer esto, retire los puentes y colóquelos de manera que cubran ambas clavijas respectivas. Si lo prefiere, puede utilizar un transformador de 75 VA en vez de dos de 40 VA para este panel. De ser así, deje los puentes en la posición abierta desconectada e instale un puente entre R y T1. Conecte el transformador a R y C.



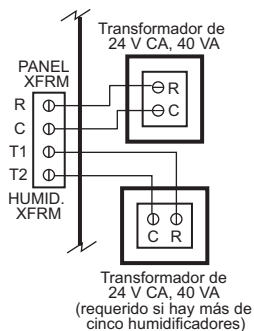
## PRECAUCIÓN

**Peligro de daño en el equipo.**

**Si conecta incorrectamente el transformador, puede dañar el panel.**

Conecte los transformadores en fase cuando un transformador esté conectado a R y C, y el transformador auxiliar esté conectado a T1 y T2.

Retire los puentes XFRM de los sujetadores cuando utilice dos transformadores



MS31126

**Fig. 12. Conexión del transformador o los transformadores al panel.**

## Conexión del sensor de temperatura de aire de descarga C7835

Conecte los terminales del cable 1, 2 y 3 a los terminales correspondientes en el panel EnviraZone W8835 o cualquier otro dispositivo EnviraCom, por ejemplo, un termostato. Consulte las instrucciones de instalación de C7835 para ver la configuración. Se pueden conectar varios dispositivos en paralelo a cada terminal 1, 2 y 3.

## INICIO Y REVISIÓN

1. Verifique que el equipo, los termostatos, el transformador y el sensor de temperatura de descarga estén conectados correctamente. Si un transformador está suministrando energía al panel, instale el puente XFRM. Si dos transformadores están suministrando energía al panel, mantenga el puente XFRM en la posición abierta.
2. Encienda el W8835. Verifique que todos los LED, excepto el LED "COM", se iluminen durante cinco segundos. El tablero debe luego ingresar en el modo Purge (purgado) con todos los humidificadores abiertos. Los LED del humidificador están en verde para indicar que los humidificadores están abiertos. El LED "COM" comienza a titilar.
3. Presione el botón Purge Override (anulación del purgado) para desactivar el modo Purge (purgado).
4. En el panel W8835, configure los interruptores DIP.
  - a. Configure los interruptores DIP 1, 2 y 7 para que asignen el número apropiado de etapas de calefacción y refrigeración. Vea las Tablas 5 y 6.
  - b. Configure otros interruptores DIP, según sean necesarios para la aplicación. Vea la Tabla 6.
5. En cada termostato, introduzca los procedimientos de la configuración de instalación mediante las instrucciones de instalación de VisionPRO® IAQ y asigne un número de zona para cada termostato, para que corresponda con el humidificador de zona.
6. Presione el botón Discovery (descubrir) para ejecutar ese modo en el panel de control de la zona.
7. En cada termostato, introduzca los procedimientos de la configuración de instalación mediante las instrucciones de instalación de VisionPRO® IAQ y configure otras opciones pertinentes de la configuración de instalación. No configure las etapas del equipo utilizando la configuración de instalación.
 

Programa el cronograma del termostato si no desea las configuraciones predeterminadas.
8. Presione el botón Discovery (descubrir) para ejecutar ese modo.
9. Configure el termostato de la zona uno en calefacción y aumente el control de ajuste para la orden de calefacción.
  - a. Verifique que el LED de calefacción esté en rojo.

**NOTA:** El sistema de calefacción tal vez no se encienda inmediatamente. Espere cinco minutos para que se encienda la calefacción después de la orden de calefacción.

- b. Controle que el LED de la zona dos permanezca en verde.
  - c. Controle que todos los LED de las otras zonas no estén iluminados.
  - d. Cambie el modo del termostato de Heat (calefacción) a Off (Apagado (hacia abajo)).
10. Configure el termostato de la zona dos en calefacción y aumente el control de ajuste para la orden de calefacción.
    - a. Controle que el LED de calefacción esté en rojo.
    - b. Controle que el LED de la zona dos permanezca en verde.
    - c. Verifique que todos los LED de las otras zonas no estén iluminados.
    - d. Cambie el modo del termostato de Heat (calefacción) a Off (Apagado (hacia abajo)).
  11. De lo contrario, configure el termostato en Cool (refrigeración), disminuya el control de ajuste para la orden de refrigeración, espere cinco minutos y controle que el funcionamiento sea correcto.



# FUNCIONAMIENTO

## Secuencia de funcionamiento

Cuando no existe una orden de calefacción, refrigeración o ventilador, el tablero estará en el modo suspendido (ningún LED del sistema está iluminado); vea la Tabla 3. Los LED del humidificador están en verde para indicar que están abiertos. El LED del ventilador se ilumina solo cuando se emite una orden de ventilación; los demás humidificadores de zona se cierran, y los LED del humidificador correspondiente no se iluminan.

El panel W8835 activa el equipo HVAC, y se envía aire acondicionado a la zona de la orden. El LED de calefacción (rojo), de refrigeración (verde) o del ventilador (verde) se iluminan para indicar el funcionamiento del equipo.

El LED del ventilador se ilumina sólo durante una orden de circulación, no se ilumina durante una orden de calefacción o refrigeración. Cuando la orden de calefacción/refrigeración se ha completado, el sistema ingresa en el modo Purge (purgado), que se indica mediante el LED Purge (purgado) (amarillo). Las posiciones del humidificador permanecen iguales, tal como estaban al finalizar las órdenes de calefacción o refrigeración (predeterminado), o en la posición abierta de acuerdo con la posición del interruptor DIP 6. Después del purgado, todos los humidificadores regresan a la posición abierta.

## Funcionamiento del LED "COM"

El LED "COM" verde titila mientras el W8835 se comunica con los otros dispositivos EnviraCom:

EL LED titila rápidamente: indica que el dispositivo está en ese momento transmitiendo información en el bus de comunicación.

El LED titila una vez: indica que el dispositivo recibió y reconoció un mensaje.

El LED está Encendido (hacia arriba) constantemente: indica una falla en el panel. Reemplace el panel.

El LED está Apagado (hacia abajo) constantemente: indica un problema de cableado.

**Tabla 3. Indicadores del LED.<sup>a</sup>**

LED	Color	Iluminado	No iluminado
Heat (calefacción)	Rojo	Orden de calefacción	Sin órdenes de calefacción
Cool (refrigeración)	Verde	Orden de refrigeración	Sin órdenes de refrigeración
Purge (purgado)	Ámbar	Modo Purge (purgado)	No está en el modo Purge (purgado)
Fan (ventilador)	Verde	Orden de ventilador únicamente	Sin orden de ventilador únicamente
Em Heat (calefacción de emergencia)	Rojo	Modo Emergency Heat (calefacción de emergencia)	No está en modo Emergency Heat (calefacción de emergencia)
Zone 1,2,3 (zona 1, 2, 3)	Verde	El humidificador está abierto o se está abriendo	El humidificador está cerrado o se está cerrando

<sup>a</sup> El cambio de LED precede al cambio del relé correspondiente en aproximadamente seis segundos.

## Modo de purgado

Después de cada orden de calefacción o refrigeración, el panel ingresa al modo de purgado. El DIP 4 configura el panel para que purgue durante dos (predeterminado) o tres minutos y medio. El interruptor DIP 5 configura el panel o el equipo de calefacción, ventilación y aire acondicionado (HVAC) para que el ventilador funcione durante el purgado.

El LED de purgado se enciende para indicar que el sistema se encuentra en el modo de purgado. Para anular el modo de purgado, presione el botón de anulación manual del purgado.

Todos los reguladores se pasarán a la posición abierta al final del purgado, a menos que se emita una nueva orden de calefacción o refrigeración durante el modo de purgado. El interruptor DIP 6 se utilizará si se desea abrir todos los reguladores durante el modo de purgado.

**Tabla 4. Configuración del purgado**

Número del interruptor DIP	Estado	Tiempo de purgado
4	Apagado (hacia abajo)	3,5 minutos
4	Encendido (hacia arriba)	2 minutos

**Tabla 5. Configuración del control del ventilador**

Número del interruptor DIP	Estado	Control del ventilador
5	Apagado (hacia abajo)	Control del panel del ventilador en modo Purge (purgado)
5	Encendido (hacia arriba)	Control del HVAC del ventilador en modo Purge (purgado)

**Tabla 6. Configuración del regulador de purgado**

Número del interruptor DIP	Estado	Humidificador de purgado
6	Encendido (hacia arriba)	La orden de última zona está abierta durante el purgado
6	Apagado (hacia abajo)	Abra todo los humidificadores durante el purgado

## Control del ventilador para zona individual

Cuando todas las zonas se encuentran a gusto, el interruptor del ventilador de cada termostato controla el funcionamiento del ventilador de esa zona. Cuando la configuración del ventilador esté en "On" (Encendido), el ventilador se activa, el LED del ventilador se ilumina y los reguladores se cierran en las zonas donde la configuración del ventilador está en "Auto" (automático). Si en este momento se emite una orden de calefacción o refrigeración, el modo de ventilador se detiene y se respeta la orden de calefacción o refrigeración. Cuando la zona donde se emitió la orden se encuentre a gusto y el modo de purgado haya terminado, se reactiva la orden para hacer funcionar el ventilador.

## Funcionamiento de la calefacción convencional de una sola etapa y de varias etapas

El panel puede controlar hasta tres etapas de calefacción y dos etapas de refrigeración de acuerdo con la demanda del termostato. Configure los interruptores DIP 1 y 2 para 1, 2 ó 3 etapas de calefacción. Configure el interruptor DIP 7 para una o dos etapas de refrigeración.

**Tabla 7. Configuración del equipo convencional**

Tipo de equipo	DIP 1	DIP 2
Etapas 1 (convencional)	Encendido (hacia arriba)	Encendido (hacia arriba)
Etapas 2 (convencional)	Encendido (hacia arriba)	Apagado (hacia abajo)
Etapas 3 (convencional)	Apagado (hacia abajo)	Encendido (hacia arriba)
<b>Etapas de refrigeración</b>	<b>DIP7</b>	
Etapas 1	Encendido (hacia arriba)	
Etapas 2	Apagado (hacia abajo)	

## Funcionamiento de la bomba de calor

El panel puede controlar una o dos etapas del compresor además de la calefacción auxiliar. Configure el interruptor DIP 1 y 2 en Apagado (hacia abajo), y el interruptor DIP 7 en Encendido (hacia arriba) para un compresor de una sola etapa y en Apagado (hacia abajo) para un compresor de dos etapas.

**Tabla 8. Configuración del equipo de bomba de calor**

Tipo de equipo	DIP 1	DIP 2
Bomba de calor	Apagado (hacia abajo)	Apagado (hacia abajo)
<b>Etapas del compresor</b>	<b>DIP 7</b>	
Etapas 1	Encendido (hacia arriba)	
Etapas 2	Apagado (hacia abajo)	
<b>Inversión de la bomba de calor</b>	<b>DIP 9</b>	
O (refrigeración)	Encendido (hacia arriba)	
B (calefacción)	Apagado (hacia abajo)	

Conecte la válvula de inversión con el terminal O/B del equipo. El interruptor DIP 9 configura este terminal para que funcione como un terminal de inversión en O (refrigeración) o B (calefacción).

## Funcionamiento del termostato

### Funcionamiento de la calefacción hidrónica

El W8835 es un panel de aire forzado. Sin embargo, puede conectarse a válvulas hidrónicas de control, tal como se muestra en la Fig. 13. Para controlar las válvulas o los circuladores de un panel hidrónico, vea la Fig. 14.

### Equipo de combustible dual

El W8835 puede hacer funcionar equipos de combustible dual si se utiliza con un kit de combustible fósil externo. Ubique el termostato en las instrucciones del kit de combustible fósil y conecte allí los terminales del equipo W8835.

### Control de la calefacción de emergencia

La calefacción de emergencia es la utilización de una fuente de calefacción auxiliar sin utilizar la bomba de calor. El W8835 activa el terminal E cuando se emite una orden de calefacción de emergencia. El interruptor del sistema del termostato está configurado en Em Heat (calefacción de emergencia) para activar esta función. Cuando está activa, cualquier zona que emita una orden de calefacción utilizará la calefacción de emergencia, no el compresor.

El panel activa el W3 como calefacción auxiliar con los terminales Y1 y Y2 para el control del compresor cuando no esté en calefacción de emergencia.

## Funcionamiento de la conversión manual y automática

Cada uno de los termostatos puede configurarse para la inversión manual o automática. Si uno o más termostatos envían una orden de refrigeración y, al mismo tiempo, uno o más termostatos envían una orden de calefacción, el panel cumplirá primero la orden con más demanda.

Luego, de acuerdo con la demanda de refrigeración y calefacción, el panel alterna de manera inteligente entre la calefacción y la refrigeración. El sistema intenta satisfacer ambas demandas de calefacción y refrigeración, y no da más prioridad a uno o a otra.

## Discovery

Discovery (descubrir) es un programa automático de configuración del sistema en donde el panel se configura para funcionar con los controles conectados al bus EnviraCom. El panel ingresa en el modo Discovery (descubrir) cuando se presiona el botón Discovery (descubrir).

## Reinicio del microprocesador

Para reiniciar el microprocesador, presione el botón Boot (reiniciar). El sistema se reinicia e ingresa en el modo Purge (purgado).

## Sistema de calefacción EnviraCom

Para los sistemas con comunicaciones EnviraCom integradas, configure el panel de la siguiente manera. En este caso, no se necesita un cableado para equipo convencional, ya que el W8835 utiliza el bus EnviraCom de tres cables para controlar el equipo HVAC. En estas instalaciones, el panel se activa desde el equipo HVAC a través de los cables 1, 2 y 3. Debido

a esto, los terminales R y C del transformador en el W8835 no se utilizan. En cambio, deje los puentes XFMR en su posición predeterminada desconectada y conecte los transformadores T1 y T2.

**Tabla 9. Configuración del tipo de sistema de calefacción**

Tipo de equipo	DIP 3
Convencional	Encendido (hacia arriba)
EnviraCom	Apagado (hacia abajo)

## Control de humidificación, deshumidificación y ventilación

El panel puede controlar la humedad, la deshumidificación y la ventilación a través de mensajes que recibe del termostato VisionPRO® IAQ. El termostato designado como zona 1 tendrá el control de estas funciones. Configure este termostato tal como se encuentra en las instrucciones de instalación para el termostato.

Los terminales de humedad, deshumidificación y ventilación son todos terminales de contacto seco; los contactos de relés se cierran cuando están activos. Por lo tanto, los dispositivos que requieran control de contacto seco, como un ventilador, pueden conectarse directamente a los terminales VENT, o un humidificador de vapor puede conectarse directamente a los terminales HUM. Los dispositivos que deban recibir suministro eléctrico, como un regulador de ventilación o algunos modelos de humidificadores por evaporación, son conectados utilizando los terminales VENT o HUM conectados a través del terminal R, tal como se muestra en la Fig. 3. Si utiliza un humidificador TrueSteam Honeywell, ajuste la configuración N.º 374 del instalador del termostato VisionPRO IAQ de la zona uno en "3", conecte el terminal GF del TrueSteam al terminal del ventilador de HVAC y conecte el terminal GT del TrueSteam al terminal G en el W8835.

**NOTA:** Cuando esté controlando un humidificador de vapor, configure todos los termostatos en HEAT (calefacción). No configure los termostatos en AUTO (automático). Esto impide que el panel humidifique la zona 1 cuando otra zona emita una orden de refrigeración. También puede ajustar la configuración del instalador 374 del termostato de la zona 1 en "2" para permitir la humidificación solo durante órdenes de calefacción.

## Sensor de temperatura de aire de descarga (DATS)

El sensor de temperatura de aire de descarga C7835A1009 (incluido en los kits Y8835) es una sonda del sensor de temperatura para montaje en conducto de suministro utilizada para controlar la capacidad y para impedir el sobrecalentamiento del plenum o el enfriamiento extremo del serpentín. El sensor se conecta al bus EnviraCom por medio de tres cables. Cuando se alcanza un límite máximo o mínimo,

el panel apaga el equipo y mantiene en funcionamiento el ventilador durante, por lo menos, dos minutos y medio. Después de este tiempo, y de cualquier tiempo mínimo de apagado impuesto por el equipo de HVAC, se vuelve a activar el equipo cuando se ha recuperado el aire de descarga en diez grados. Cuando se supera el límite máximo o mínimo, el LED de Heat (calefacción) (rojo) o de Cool (refrigeración) (verde) ubicado en el DATS comienza a destellar.

## Protección del interruptor de circuito

El interruptor térmico de circuito incorporado protege el panel EnviraZone de cortocircuitos en el cableado del humidificador y el bus EnviraCom. No protege de cortocircuitos en el cableado que va del equipo HVAC al panel.

Cuando el interruptor del circuito está desconectado, ninguno de los LED se iluminarán, y el componente rectangular amarillo, que se encuentra en la parte central inferior del panel, está caliente al tacto.

- Corte el suministro de energía al panel por, al menos, cinco minutos para permitir que el interruptor se enfríe y reinicie.
- Para eliminar el cortocircuito, verifique el cableado del humidificador y del transformador.

## Ventilador Encendido (hacia arriba) durante la calefacción

El ventilador del sistema puede configurarse para que se encienda durante una orden de calefacción, según sea necesario, para los sistemas de calefacción eléctricos e Hydro-air. Configure la función del ventilador mediante el interruptor DIP 8. Cuando se configura para una bomba de calor, este interruptor DIP no se utiliza.

**Tabla 10. Configuración del ventilador durante la calefacción**

Interruptor DIP 8	Control del ventilador
Apagado (hacia abajo)	Ventilador Encendido durante la calefacción mediante el panel.
Encendido (hacia arriba)	Control HVAC del ventilador.

## Adición de zonas

Conecte el W8703 al bus EnviraCom para ampliar el sistema hasta seis zonas o conecte dos W8703 para controlar hasta nueve zonas:

- Conecte los primeros tres termostatos y humidificadores de zona al panel Envirazone W8835.
- Conecte los humidificadores adicionales al panel W8703.
- Configure los interruptores DIP en el W8703 para que correspondan con las zonas que va a controlar. Consulte las instrucciones de instalación del W8703.
- Conecte los terminales 1, 2 y 3 de los termostatos adicionales a los terminales 1, 2 y 3 en cualquiera de los paneles.

# SOLUCIÓN DE PROBLEMAS

**Tabla 11. Solución de problemas.**

Síntoma	Posible causa	Solución
Ningún LED está iluminado	No hay suministro de energía en el tablero.	Controle que haya 24 V CA ( $\pm$ 10%) en R y C.
	Los transformadores están fuera de fase.	Si hay 48 V CA en R y T1, invierta los cables de T1 y T2.
	Cable en cortocircuito.	Controle el interruptor térmico de circuito. Si está caliente, existe un cortocircuito en el cableado.
Los LED del humidificador están Encendido (hacia arriba)s, pero los demás LED no están iluminados.	Tensión insuficiente.	Controle que haya 24 V CA ( $\pm$ 10%) en R y C.
	Configuración incorrecta.	Controle que la configuración de los puentes y los interruptores DIP sea correcta.
Funcionamiento irregular.	Interruptor de la calefacción de emergencia Encendido (hacia arriba).	Apague el interruptor de la calefacción de emergencia del termostato.
La bomba de calor funciona de manera incorrecta o no funciona.	Cableado incorrecto.	Controle el cableado de los terminales del equipo.
	Configuración incorrecta.	Controle la configuración de los interruptores DIP.
No se iluminan los LED del humidificador	Configuración incorrecta.	Controle que los puentes XFRM estén configurados correctamente.
Mensaje "Com 3" en los termostatos	Configuración incorrecta.	Controle que DIP 3 esté configurado correctamente.

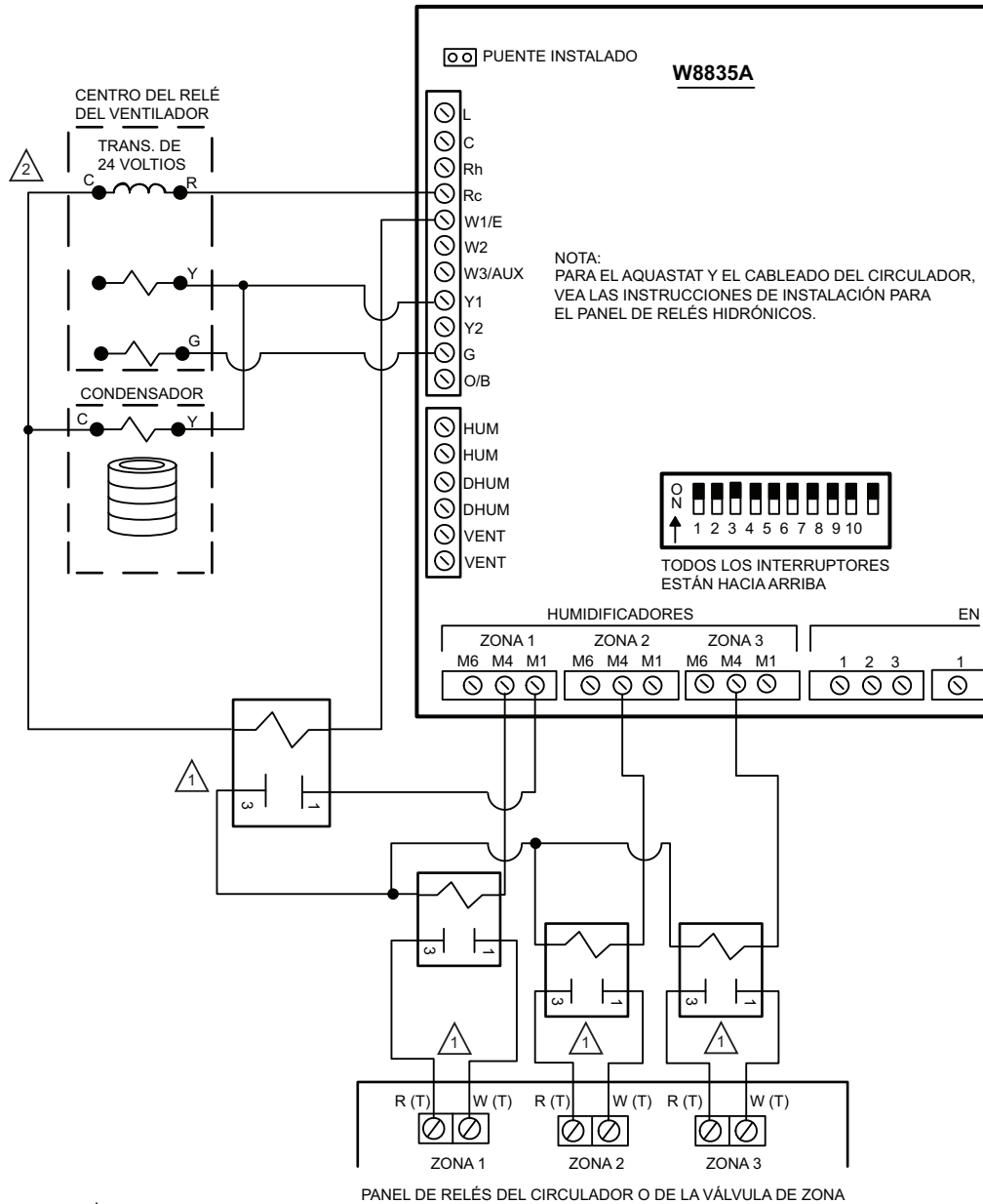
**Tabla 12. Interruptores DIP 1 y 2.**

Tipo de equipo	DIP 1	DIP2
Etapa 1 (convencional)	Encendido (hacia arriba)	Encendido (hacia arriba)
Etapa 2 (convencional)	Encendido (hacia arriba)	Apagado (hacia abajo) (abajo)
Etapa 3 (convencional)	Apagado (hacia abajo)	Encendido (hacia arriba)
Bomba de calor	Apagado (hacia abajo)	Apagado (hacia abajo)

**Table 13. Interruptores DIP 3 a 10.**

Interruptor DIP	Función	Encendido (hacia arriba) (arriba, predeterminado)	Apagado (hacia abajo)Apagado (hacia abajo) (abajo)
3	Tipo de sistema de calefacción	Convencional/sin comunicación	Comunicación con EnviraCom
4	Tiempo de purgado	2 minutos	3,5 minutos
5	Control del ventilador durante el purgado	Controlado por HVAC	Controlado por panel
6	Control del humidificador durante el purgado	La orden de última zona está abierta durante el purgado	Abra todo los humidificadores durante el purgado
7	Etapas del compresor de la bomba de calor	Una etapa	Dos etapas
8	Control del ventilador durante la calefacción	Ventilador controlado por panel durante la refrigeración y por equipo HVAC durante la calefacción	Ventilador controlado por panel en la calefacción y refrigeración
9	Inversión de la bomba de calor	O (inversión de refrigeración)	B (inversión de calefacción)
10	No utilizado	—	—

**W8835A CONTROLA UN PANEL DE RELÉS DEL CIRCULADOR O DE LA VÁLVULA DE ZONA**



1 R 8222B1067 RELÉS

2 SI ES UNA APLICACIÓN EXCLUSIVA PARA CALEFACCIÓN, EL R Y C VENDRÁN DE UN TRANSFORMADOR, NO DEL CENTRO DEL RELÉ DEL VENTILADOR. EN ESTA APLICACIÓN, LOS TERMINALES Y y G QUE SE MUESTRAN EN ESTE DIAGRAMA NO SE UTILIZARÁN.

MS31127

**Fig. 13. Referencia de cableado, válvula de zona o panel de relés del circulador**

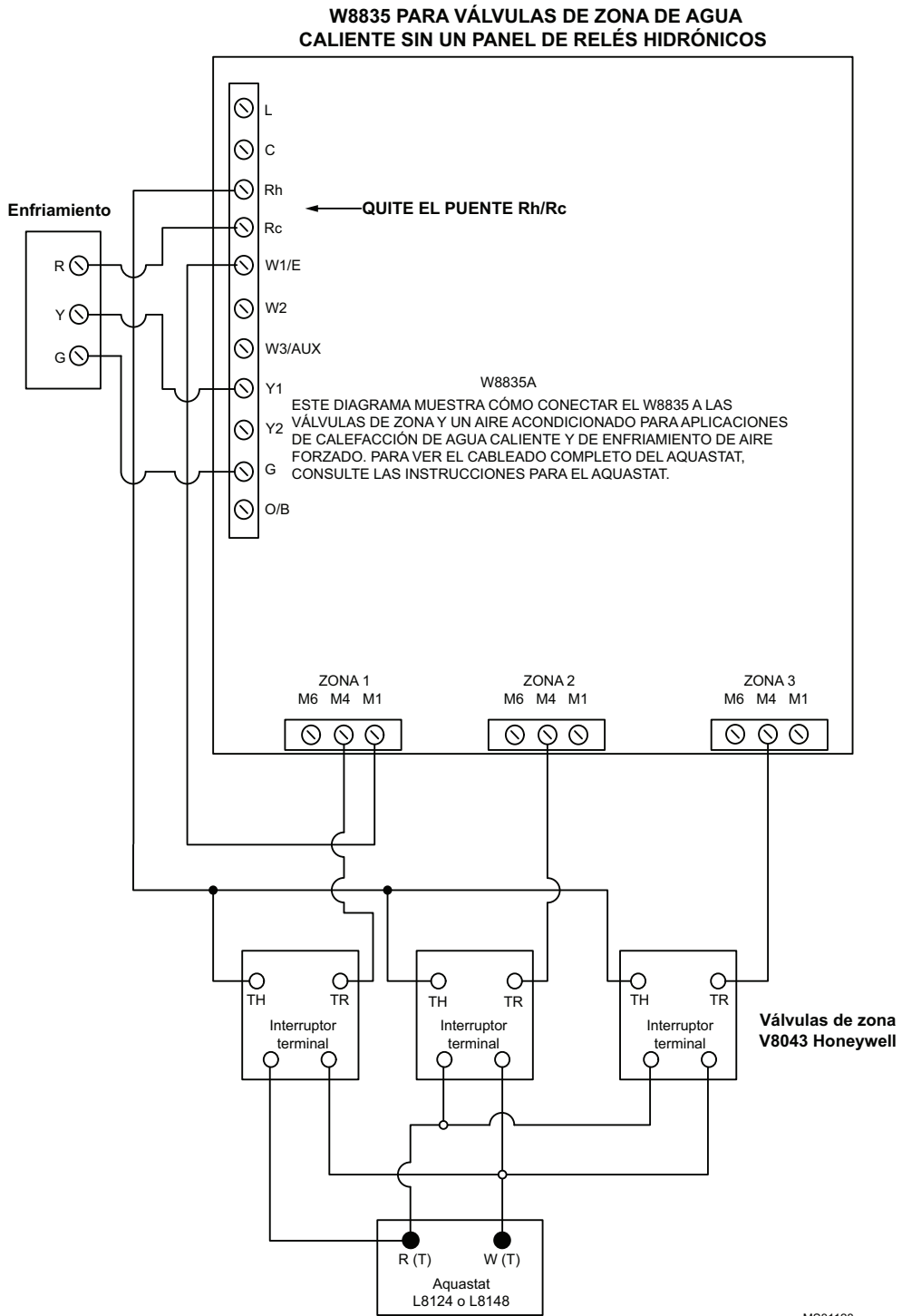


Fig. 14. Referencia de cableado, válvulas de zona de agua caliente.



### **Automatización y control desenlace**

Honeywell International Inc.  
1985 Douglas Drive North  
Golden Valley, MN 55422  
customer.honeywell.com

Honeywell Limited-Honeywell Limitée  
35, Dynamic Drive  
Toronto, Ontario M1V 4Z9



Impreso en E.U.A. en papel  
reciclado con un mínimo de 10%  
de fibras de papel postconsumidor.

© Marca Registrada en los E.U.A.  
(C) 2009 Honeywell International Inc. todos Los Derechos Reservados  
68-0258ES—04 E.K. Rev. 09-09

# **Honeywell**



## Free Manuals Download Website

<http://myh66.com>

<http://usermanuals.us>

<http://www.somanuals.com>

<http://www.4manuals.cc>

<http://www.manual-lib.com>

<http://www.404manual.com>

<http://www.luxmanual.com>

<http://aubethermostatmanual.com>

Golf course search by state

<http://golfingnear.com>

Email search by domain

<http://emailbydomain.com>

Auto manuals search

<http://auto.somanuals.com>

TV manuals search

<http://tv.somanuals.com>