

Residential Flammable Gas Leakage Detector (RFR200) Operation Instructions

Thank you for choosing Honeywell gas leakage alarm system. Please carefully read through the instructions before using this product, and perform according to the relevant procedures as provided herein to avoid any damage to this machine or any other incidents incurred by your inappropriate operation.

The user shall assume any liability arising from or in connection with his or her failure to comply with the instructions in this manual and part installation, repair or replacement by unauthorized person.

For the product, its color and style, please refer to the actual product as standard.

Please keep this manual in a safe place for future reference. If you should have any doubt or dissatisfaction with our product or service, including product technology, quality, installation and maintenance, please contact us immediately so that we can deal with your suggestions in a proper way.

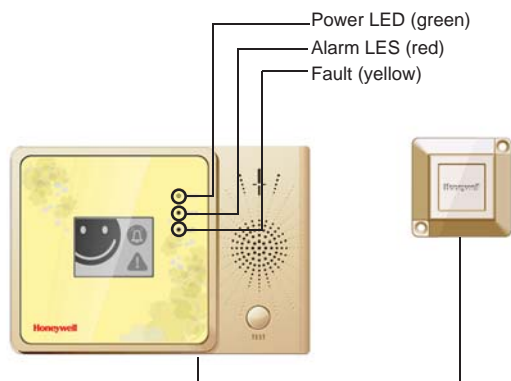
Product profile

As the gas detection expert, Honeywell Analytics brings together nearly 200 collective years of expertise in design, manufacture and technology. As the leader in gas detection and alarm equipment industry in the world, we apply high-precision detection standards to domestic gas leakage alarm systems. By integration of powerful catalytic flammable sensing technology and advanced electronic technology, Honeywell is dedicated to providing multiple protections for both our customers and their properties.

Function and indication chart

Operation	Description	LED		Relay		Buzzer	Timing/Interval
		GR	Y	AI	FT		
Normal Operation	When no gas is present, the green LED	Y	N	N	De	En	Always G LED on if power is normal
Successful Test*	On demand test result by press the button. Red LED and Yellow LED will be blink in order. After then return to normal mode	Y	Y	Y	En	En	8 times beep with red LED flash 4 times and then yellow LED flash 4 times
Unsuccessful Test	On demand test result by press the button. After then return to normal mode	Y	N	Y	De	De	Same as default condition
Alarm	When detects gas, it will give the alarm signal continuously. The red LED and sounder will annunciate. When gas level is less than alarm point, return to normal operation.	Y	Y	N	En	En	8 times beep with red LED flash 8 times
Hush Function	If required, the audible alarm can be silenced for 5 minutes by pushing the button marked "Test". The red alarm will continue to flash for 5 minutes	Y	Y	N	En	En	Red LED flash 4 times each time
	If gas is still present after 5 minutes hush period, the audible alarm will sound	Y	Y	N	En	En	Same as alarm condition
Trouble Condition	End of life time(5 years)	Y	N	Y	De	De	3 long chirps/min
	Cell health trouble/No cell	Y	N	Y	De	De	1 long chirps/min
	Power trouble	N	N	Y	De	De	2 long chirps/min
	EEPROM CRC fail/ Program code fail	N	N	Y	De	De	Continues beep

* Alarm relay shall be reset often 5 seconds of button when normal conduction.



1. Power LED (green): indicates the power system is in normal operation
2. Alarm LED (red): indicates the concentration of combustible gas leakage reaches the set value
3. Fault LED (yellow): indicates the alarm is in fault condition

Service life and warranty period

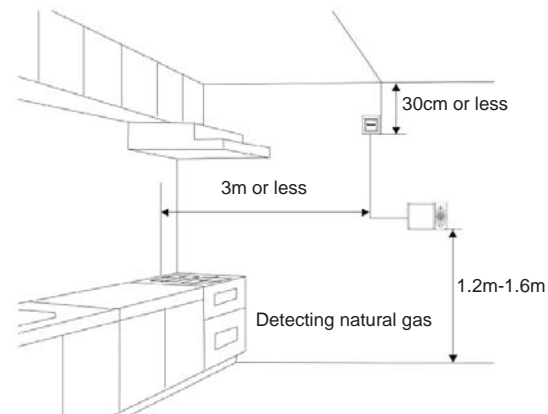
1. The optimal service life is five years (since the purchase, please keep your invoice).
2. The warranty period for free is one year (since the purchase).
3. User must read through this instruction manual carefully and operate correctly, and Honeywell will repair or replace for free in case the machine does not work due to any quality issue at the manufacturer's side.

Operation Standard: GB15322.2-2003

Detection Gas :LNG

Installation instruction

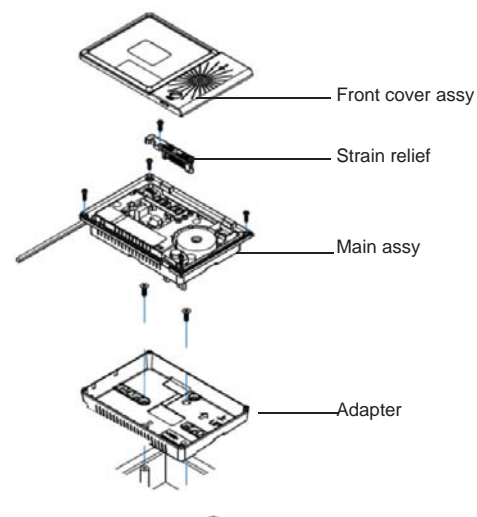
The detector should be installed in the room with gas consumed equipment, and the alarm shall have a horizontal distance of 3m or less from the gas consumed equipment. In case natural gas is used, the detector may be installed at the height with a 30m distance or less from the ceiling.



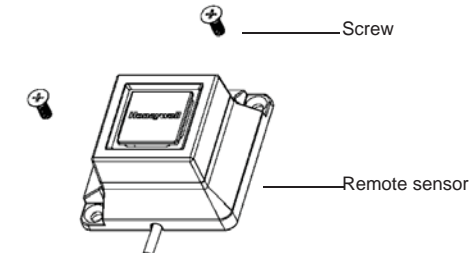
Check that each part or component is in good condition before installation, and get prepared the screws and other attachments we've provided in the toolkit.

Part description

Control panel

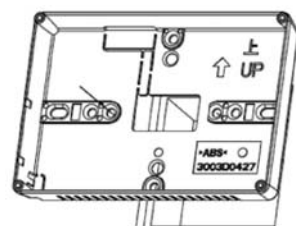


Remote sensor

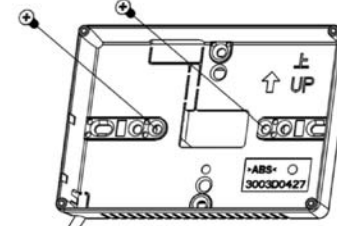


Procedures for control panel installation

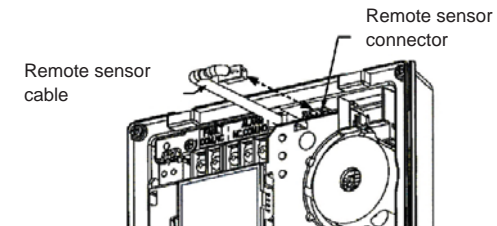
Find an appropriate installation point on the wall.



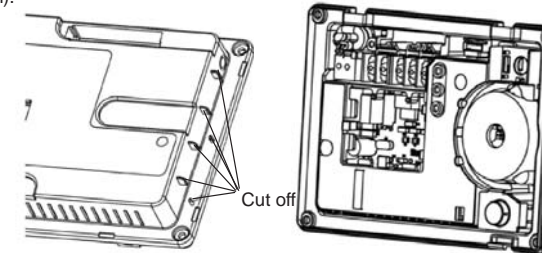
Fixing the adapter by screw which is offered. (Must use the machine screw to the outlet box.) (Must use the tapping screw to the wood wall.) While installation, ensure the wire is routed out through the reserved hole before installation. AC wire have to go through the adapter hole. Please check the direction of adapter and check the arrow and "UP" mark. Fix the host onto the adapter for mounting with screws.



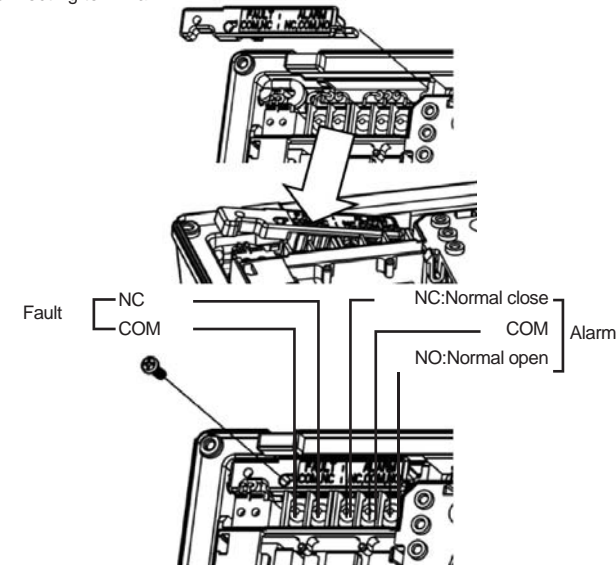
Flush mounting — in case flush mounting is selected, the adapter for mounting is not necessarily used. You need to dis-connect the AC power wire and remote sensor wire from main Assy and take off the adapter first.



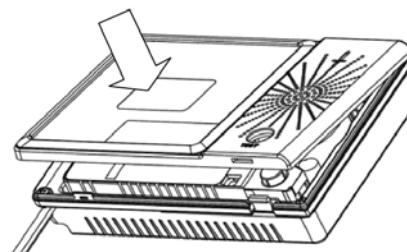
Cut off the strip on the left edge of the host with a knife, and fixed the machine body into the groove previously excavated on the wall with screws (detailed dimensions of the groove: width 134mm~136mm, height 92mm~93mm).



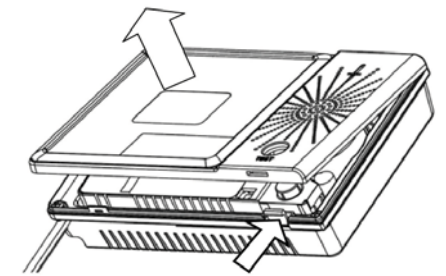
If relay is used for signal output, then remove the wire trunking and fix it with screws again after connecting the signal line to the corresponding connecting terminal.



Press down the panel onto the host to complete the installation.

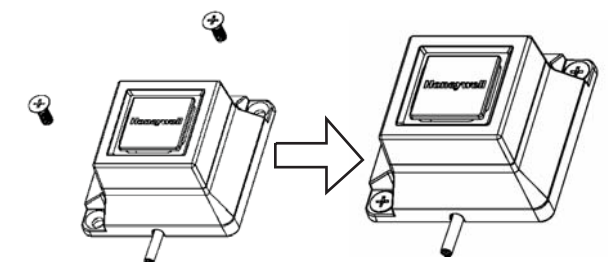


To remove the panel, push inward the locking tab and then pull out the panel towards the opposite side.



Procedures for remote sensor installation

Fix the sensor onto the ceiling with screws.



Incorrect mounting position

1. Places where exhaust, steam and oil smoke from gas appliances may directly influence
2. Places near to the air inlet, exhaust fan, door and window where favorable ventilation is ensured
3. Places which are fenced off by the window curtain, vertical curtain, cabinet door, ceiling and cross beam, etc.
4. Places with high temperature and moisture like cooking room and boiler room, etc.
5. Places where power supply of the alarm may possibly be switched off
6. Places outdoor or where the temperature is lower than -10 °C or higher than +55 °C

Precautions on using

1. Do not switch off the power supply of the alarm, otherwise the alarm may not work when gas leakage occurs.
2. Do not touch any part of the power supply with wet hand(s) as this could cause risk of electric shock.
3. Do not remove or retrofit the alarm.
4. Do not use volatile matters in the vicinity of the alarm, like hair spray, pesticide, paint, adhesive agent and alcohol, so as to avoid false alarm an eliminate any influence on the service life of the sensitive elements.
5. Do not eject high-concentration gas into the access opening to avoid performance of the sensor.
6. Frequently check the power LED (green) is always on.
7. Press down the self-test button of the detector once every 6 months to check it is in normal standby state.
8. In case a fault happens in the alarm, please contact our company or the local representative office immediately.
9. Never connect the power supply to any signal output terminal.
10. Prevent the product from falling down from a high level during installation and operation, otherwise the performance of the product may be impaired.
11. Never attempt to replace the remote probe or change the length of its wire by any unauthorized person.
12. Never clean the alarm with a cleaning agent.
13. Please keep the alarm away from silicon-contained material.

Our company will not assume any responsibility for product damage or loss of function caused by the following reasons:

1. Consumer's disassembly or intentional damage
2. Force majored like fire, earthquake, lightening, abnormal voltage, etc.
3. Wrong installation position or failure to switch on power supply of the detector
4. Expiration of the lifetime
5. Falling down, impact and other faults and damages incurred by the consumer
6. Other contamination, damages, faults or damages not caused by the manufacturer

Honeywell Trading (Shanghai) Ltd
430 Li Bing Road
Zhangjiang Hi-Tech Park
Shanghai, China

H_RFI Manual_09_V1_AP

Free Manuals Download Website

<http://myh66.com>

<http://usermanuals.us>

<http://www.somanuals.com>

<http://www.4manuals.cc>

<http://www.manual-lib.com>

<http://www.404manual.com>

<http://www.luxmanual.com>

<http://aubethermostatmanual.com>

Golf course search by state

<http://golfingnear.com>

Email search by domain

<http://emailbydomain.com>

Auto manuals search

<http://auto.somanuals.com>

TV manuals search

<http://tv.somanuals.com>