

Honeywell

L-Series Color Day/Night Camera

NTSC

PAL

HCD484L

HCD484LX

HCD485LX

User Guide

English

Français

Español

Italiano

Deutsch

Nederland

Revisions

Issue	Date	Revisions
1.00	10/06	New document
2	02/07	Updated document part no.; added warning to p. iii.

Warnings

Installation and servicing should be performed only by qualified and experienced personnel to conform to all local codes and to maintain your warranty.




WARNING! 12 VDC/24 VAC models require the use of CSA Certified/UL Listed Class 2 power adapters to ensure compliance with electrical safety standards.

Where the MAINS plug or an appliance coupler is used as the disconnect device, the disconnect device shall remain readily operable.

WEEE (Waste Electrical and Electronic Equipment).

Correct disposal of this product (applicable in the European Union and other European countries with separate collection systems). This product should be disposed of, at the end of its useful life, as per applicable local laws, regulations, and procedures.

Explanation of Graphical Symbols

	<p>CAUTION RISK OF ELECTRIC SHOCK DO NOT OPEN</p>		<p>THIS SYMBOL INDICATES THAT DANGEROUS VOLTAGE CONSTITUTING A RISK OF ELECTRIC SHOCK IS PRESENT WITHIN THE UNIT.</p>
<p>CAUTION: TO REDUCE THE RISK OF ELECTRIC SHOCK, DO NOT REMOVE THE COVER. NO USER-SERVICEABLE PARTS INSIDE REFER SERVICING TO QUALIFIED SERVICE PERSONNEL</p>			<p>THIS SYMBOL INDICATES THAT IMPORTANT OPERATING AND MAINTENANCE INSTRUCTIONS ACCOMPANY THIS UNIT.</p>

FCC Compliance Statement

Information to the User: This equipment has been tested and found to comply with the limits for a Class A digital device. Pursuant to Part 15 of the FCC Rules, these limits are designed to provide reasonable protection against harmful interference when the equipment is operated in a commercial environment. This equipment generates, uses, and can radiate radio frequency energy and, if not installed and used in accordance with the instruction manual, may cause harmful interference to radio communications. Operation of this equipment in a residential area is likely to cause harmful interference in which case the user will be required to correct the interference at his own expense.

Caution Changes or modifications not expressly approved by the party responsible for compliance could void the user's authority to operate the equipment.

Manufacturer's Declaration of Conformance

The manufacturer declares that the equipment supplied with this guide is compliant with the essential protection requirements of the EMC directive 89/336/EEC and the Low Voltage Directive LVD 73/23 EEC, conforming to the requirements of standards EN 55013 for emissions.

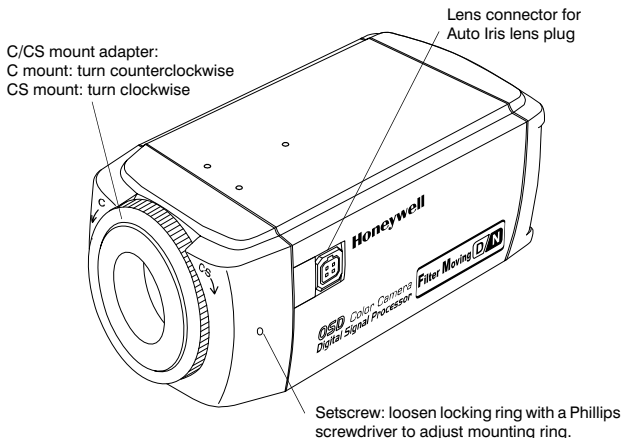
Contents

Introduction	1
Features	1
Before You Begin	2
Unpack Everything	2
Camera Functions	3
Installation	4
Selecting the Lens	4
Adjusting the Back Focus	5
Mounting the Camera	6
Connecting the Camera	6
Remote Control Connections	7
Programming	8
On-Screen Display (OSD)	8
OSD Menu Functions	9
Saving your Settings	9
Setting Up Your Camera	10
OSD Menu Structure	10
Adding a Camera ID Or Title	12
Setting the Camera Lighting Optimization ..	13
ELC / ALC Mode	13
White Balance Control Setup	14
Nightshot Control Setup	15
Sync Control Setup	16
Exit Setup Menu	16
Warranty and Service	17
Specifications	17

Introduction

The Honeywell L-Series Day/Night Color cameras provide high picture quality and resolution with a highly sensitive 1/3 inch interline transfer CCD image sensor.

Figure 1 Camera Overview



Features

- 1/3" IT Super HAD CCD
- C/CS adjustable lens mount adapter
- Excellent signal-to-noise ratio of more than 50 dB
- Minimum illumination of 0.1 lux (F1.2, 50 IRE, IR Filter Off, B/W)
- Compatible with Video Iris (VSD) or Direct Drive (DC) Auto Iris lens
- OSD menu control
- True color reproduction from various light sources
- Remote control with RS485 connection

Before You Begin

Please read this guide carefully before you install the L-Series Day/Night Color camera.
Keep this guide for future reference.

Unpack Everything

Check that the items received match those listed on the order form and packing slip. The L-Series Day/Night packing box should include, in addition to this User Guide:

- One L-Series Day/Night Color camera
- One 4-pin connection cable
- One Auto Iris lens plug

If any parts are missing or damaged, contact the dealer you purchased the camera from or call Honeywell Customer Service (see *Contact Information* on the back of this manual).

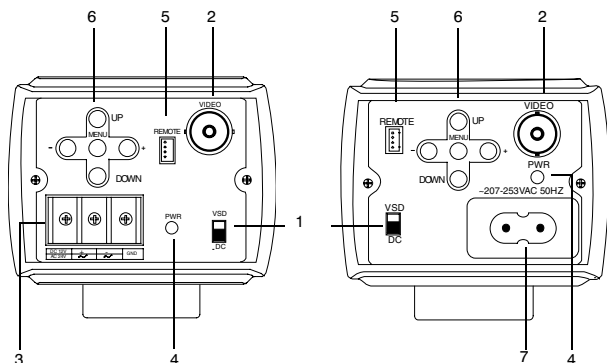
Note You will also require a Phillips screwdriver to complete the installation.

Camera Functions

Figure 2 Camera Rear View

Low Voltage
(HCD484L, HCD484LX)

Mains 230V—Line Voltage
(HCD485LX)



Legend

Description

- | | |
|---|---|
| 1 | Auto Iris Lens select switch, VSD for Video or DC for Directive Drive |
| 2 | Video output connector |
| 3 | Power input connector (24 VAC: 3 terminals)—Low Voltage model only |
| 4 | Power LED indicator |
| 5 | Remote RS485 connector |
| 6 | Menu control (see "Programming" on page 8) |
| 7 | Mains 230V Line Voltage power connector |

Installation

Selecting the Lens

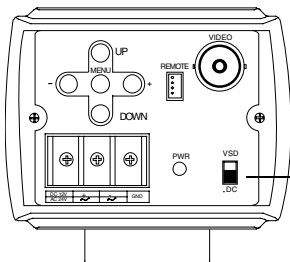
Vari-focal Auto Iris lenses (Direct Drive or Video Drive) are connected to the camera via a 4-pin square socket located at the side of the camera.

1. Set the VSD/DC switch on the rear of the camera.

For Video Drive lens, set the switch to **VSD**.

For Direct Drive lens, set the switch to **DC**.

Low Voltage model shown
(HCD484L, HCD484LX)



VSD = Auto iris lens with a built-in amplifier (video-type lens)
DC = Auto iris lens with no amplifier (DC-type lens)

2. Set the EE MODE to **ALC MODE** on the OSD menu (see **ALC MODE**).

Auto iris lens with amplifier: Set the VSD LENS on the OSD menu.

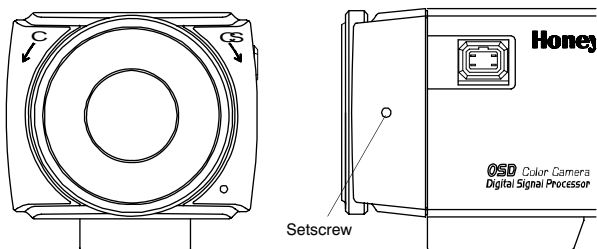
Auto iris lens with no amplifier: Set the DC LENS on the OSD menu. Adjust to the LEVEL carefully to avoid hunting.

Adjusting the Back Focus

The back focus adjustment is accessible at the front end of the camera housing to adjust the back focal length or picture focus.

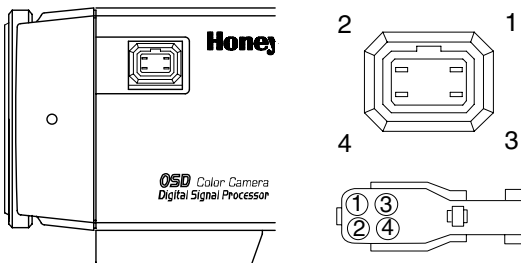
The range of adjustment allows both C- and CS-mount lenses to be used without the need for a spacer ring.

Figure 3 C/CS Mount



1. Loosen the setscrew with a Phillips screwdriver.
2. Adjust the focus ring to focus the picture.
3. Retighten the setscrew.

Figure 4 Auto Iris Lens Pin Definition



Pin	DC (Direct Drive) lens	Video (VSD) lens
1	CTRL-	Power (+ 12V)
2	CTRL+	NC
3	DRV+	Video Signal
4	DRV-	GND

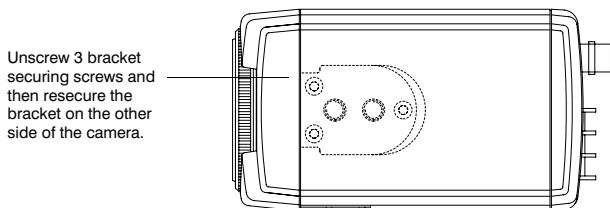
Set the select switch to **DC**. Set the select switch to **VSD**.

Mounting the Camera

Mounting points are provided on the top of the camera for mounting the camera on a bracket or tripod. They are designed to accept standard sized 1/4 x 20 mounting screws. This bracket can be unscrewed and mounted onto the opposite side of the camera, depending on your application. The mounting bracket must be capable of supporting the weight of the camera and its lens.

Note Some installation codes dictate that the mounting bracket must be capable of supporting up to four times the combined weight of the camera and lens.

Figure 5 Camera Mount



Connecting the Camera

Note Check the power source from the external power supply before applying power to the camera.

1. Connect the **VIDEO** connector on the rear of the camera to the video-in connector on your monitor.
2. Connect the camera to a power supply appropriate for your installation.

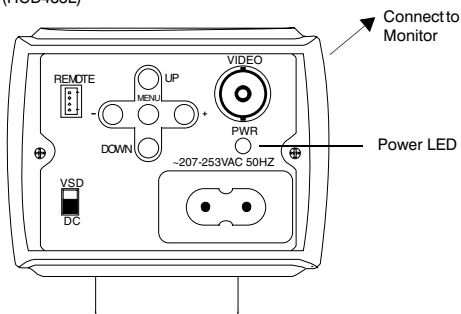
HCD484L, HCD484LX: 12 VDC or 24 VAC power supply

HCD485LX: 230V power supply

3. Plug in the power supply. The power (**PWR**) LED illuminates to show that the camera is receiving power. If it does not illuminate, check the connections and the power source.

Figure 6 Camera Connections

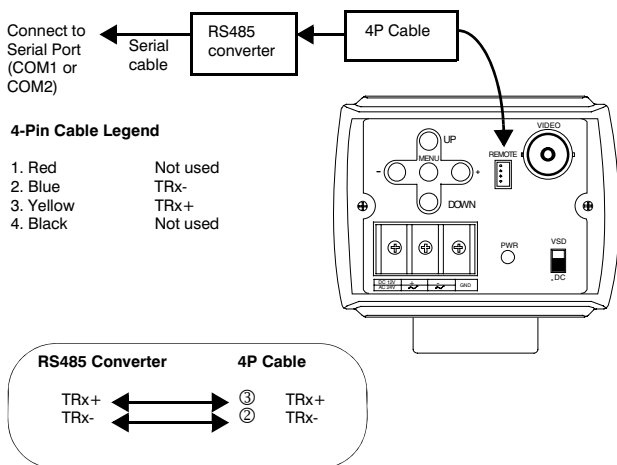
Mains (230V) version shown
(HCD485L)



Remote Control Connections

The L-Series Day/Night Color camera can be controlled remotely using an RS485 connection.

Figure 7 RS485 Camera Connection



Programming

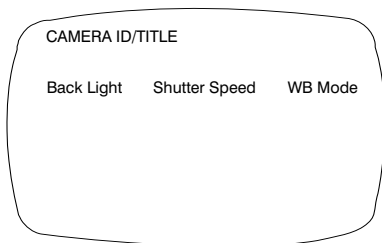
On-Screen Display (OSD)

Press **MENU** briefly to confirm the current operation setup. The information (see *Figure 8*) disappears after a few seconds if there is no button action.

Even though the OSD message disappears, the Camera ID or Title continues to display, if selected in the CAMERA ID sub-menu. To turn off the Camera ID or Title, either:

- With external communication, change the display position. Options are Bottom right, bottom left, top left, top right, non-display
- If you do not need to display the Operating OSD (for example, for an external text overlay board), set it to OFF at all times through a remote control using an RS485 connection.

Figure 8 **OSD Information Display**



Back Light displays if BLC is enabled (see *BLC MODE (Backlight Compensation)*).

Shutter Speed displays if the default shutter speed is changed.

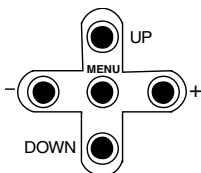
WB Mode always displays.

OSD Menu Functions

Use the OSD menu controls to program the camera.

1. Press and hold the **MENU** (center) button for 2 seconds to display the Setup menu.
2. Press the **UP** or **DOWN** buttons to select a menu item.
3. Press the **MENU** button to enter the selected submenu.
4. Press the **+** or **-** buttons to increase/decrease the value of the selected item.

Figure 9 OSD Menu Controls



Saving your Settings

First Method: When you are satisfied with your settings:

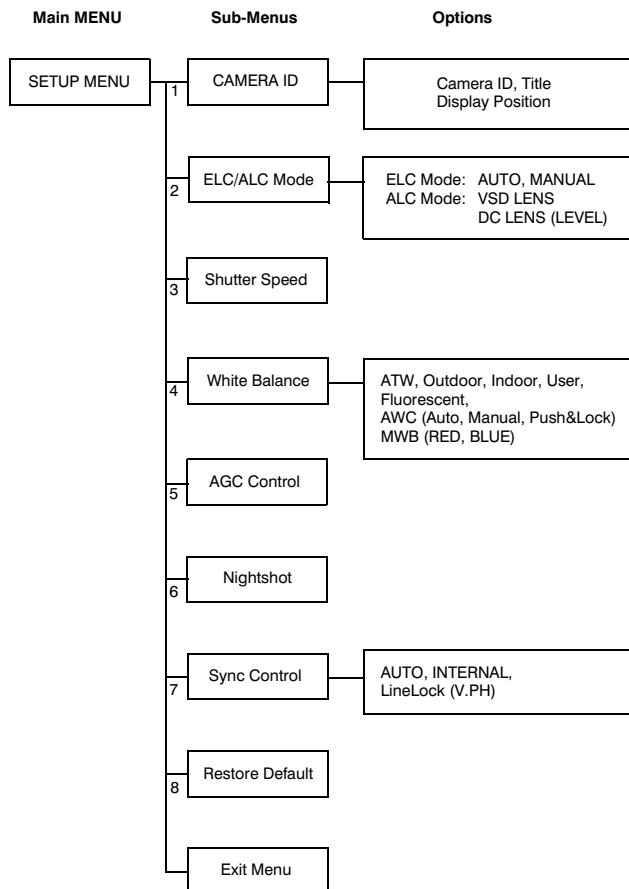
1. Press **MENU** for two seconds. The SETUP MENU is replaced by one of two messages:
SAVE? displays when values have been changed. Selecting **SAVE** exits Setup mode and saves your changes.
QUIT? displays when you have not changed any settings. Selecting **QUIT** exits Setup mode without saving any changed values.
2. Press **+** or **-** to select **SAVE** or **QUIT** and then press **MENU** to exit the Setup mode. Press **UP** or **DOWN** to cancel the **SAVE/QUIT** and return to the SETUP MENU.

Second Method: Select **EXIT MENU** on the SETUP MENU, press **MENU**, and then select **SAVE AND EXIT** to save the changed settings and exit the menu. Select **EXIT** to exit without saving the settings.

Setting Up Your Camera

OSD Menu Structure

The L-Series Day/Night Color camera menu system consists of one main setup menu for easy programming.

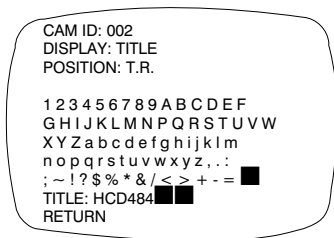


Menu Item	Option	Description
1 CAMERA ID	000 (off), 001 ... 255	0 : Turns ID display off. See <i>Sync Control Setup</i> for more information.
2 ELC / ALC Mode	ELC ... ALC ...	See <i>ELC / ALC Mode</i> for more information.
3 Shutter Speed	1/60 NTSC (1/50 PAL) FL 1/250 1/500 1/1000 1/2000 1/4000 1/10000 1/30000 1/50000	Adjust brightness with high shutter speed. FL : Removes flicker in a picture. This field is not adjustable when the camera is set to ELC MODE . Auto is selected by default.
4 White Balance	ATW (Auto Trace White Balance) AWC (Auto White Balance Control) MWB (Manual White Balance)	Preset white balance modes include Outdoor, Indoor, User, Fluorescent. See <i>White Balance Control Setup</i> for more information.
5 AGC Control	OFF 10 dB 12 dB ... 38 dB	Adjust maximum value of AGC gain. When AGC is set to OFF, Nightshot is not available.
6 Nightshot		Set how the camera reacts to low light illumination.
7 Sync. Control	AUTO INTERNAL LineLock (V.Phase)	See <i>Sync Control Setup</i> for more information.
8 Restore Default		Reload the factory default settings. If you have not made any changes, you will not be able to select this setting.

Adding a Camera ID Or Title

Adding a camera ID is useful when there are a number of cameras in your network. To add a camera ID or title, enter the SETUP MENU, select **CAMERA ID** and press **MENU**.

Figure 10 Adding Camera ID Or Title



Menu Item	Option	Description
CAM ID	0	The number assigned each camera in your network, from 000 to 255 .
	001 ... 255	
DISPLAY	TITLE	Select what is displayed on the screen (Camera TITLE , ID or nothing).
	ID OFF	
POSITION	T.R.	Select where you want the Camera ID or Title to appear on the display (Top Right, Bottom Right, Top Left, Bottom Left, and No Display).
	B.R.	
	B.L.	
	T.L.	
	NO DISP	
TITLE		Enter a name for the camera. Maximum 10 characters, including spaces.
RETURN		Press MENU to return to the main SETUP MENU.

Entering a Camera Title

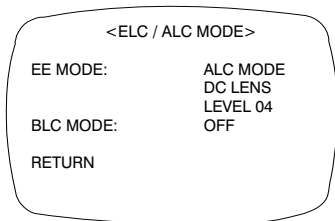
1. Move to the first character of the TITLE: using the + or - menu controls on the rear of the camera.
2. Use the **UP**, **DOWN**, +, - menu controls to select the first character in the title, then press the MENU key to set the character.

- Select the next position of the title character using the + or – menu controls, then repeat steps 2 and 3 until your camera title is complete.
- Select **RETURN** and press **MENU** to accept your changes and return to the main SETUP MENU.

Setting the Camera Lighting Optimization

ELC / ALC Mode

Figure 11 Setting Camera Lighting



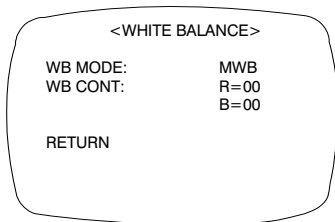
To set the lens mode, back light compensation and black mask:

Menu Item	Option	Description
EE MODE: ELC MODE	AUTO MANUAL	For a manual (fixed) lens: AUTO : Iris operates electronic exposure automatically. MANUAL : Adjust the iris by changing the high shutter speed manually.
EE MODE: ALC MODE	VSD LENS DC LENS	For an automatic iris lens: VSD : Select for video-type lens. DC LENS : Select for direct drive-type lens. Adjust the LEVEL until the image is neither too bright nor too dark.
BLC MODE (Backlight Compensation)	OFF LOW BL MID. BL HIGH BL	Prevents the object in the center of the image from darkening (silhouette effect) when there is excessive light from behind.
RETURN		Press MENU to return to the SETUP MENU.

White Balance Control Setup

Auto white balance ensures that color integrity is maintained within the color range of 2800°K to 8000°K:

Figure 12 White Balance Control

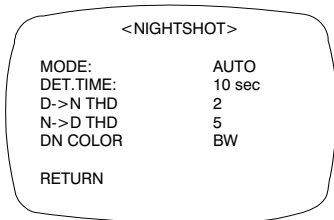


Menu Item	Description
ATW (Auto Trace White Balance Mode)	Feedback system that automatically aligns the white balance (2800°K to 8000°K).
AWC (Auto White Balance Control Mode)	Performs at a faster operating speed than ATW. Typically used for outdoor applications or where variable lighting conditions exist. Options are: AUTO: AWC operates all the time MANUAL: PUSH Press MENU to start the AWC operation MANUAL: LOCK Release MENU to fit the present shooting scene's white balance
INDOOR	General indoor scenes preset (3200°K).
FLUORESCENT	Office environments with fluorescent or tungsten lighting. Provides lowest dynamic range of all presets (4200°K).
USER FIXED	Preset (4700°K)
OUTDOOR	Preset for outside environments and high-contrast scenes where the camera is focused on the darker (6300°K).
MWB (Manual Mode)	RED: 0 to 20 BLUE: 0 to 20
RETURN	Press MENU to return to the SETUP MENU.

Nightshot Control Setup

The Nightshot menu allows you to set how the camera reacts to changes in low light illumination and to set when the camera switches between Night and Day modes. AGC must be **on** for Nightshot to be active.

Figure 13 White Balance Control

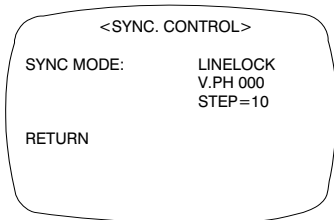


Menu Item	Description
MODE	AUTO: The camera removes or inserts IR cut filter by auto detecting luminance. ON: IR cut filter is removed (Night mode) OFF: IR cut filter is inserted (Day mode)
DET.TIME	Sets the time— 5 to 60 seconds—before the camera switches to Day or Night mode after detecting a low light condition. MODE must be set to AUTO .
D->N THD (Threshold)	Determines the low light detection level— 1 to 9 —when the camera switches to Night mode. The lower the value, the darker the lighting conditions before the camera switches. MODE must be set to AUTO . Note D-> THD must be set at least 2 less than the N->D THD setting.
N->D THD (Threshold)	Determines the low light detection level — 1 to 9 —when the camera switches to Day mode. The higher the value, the brighter the lighting conditions before the camera switches. MODE must be set to AUTO .
DN COLOR	Sets the color mode as B/W (monochrome) or COLOR in Night mode. MODE must be set to AUTO or ON .
RETURN	Press MENU to return to the SETUP MENU.

Sync Control Setup

To synchronize the vertical interval sync pulse of your camera with other equipment to reduce the effect of picture roll on the monitor.

Figure 14 Sync Control Setup

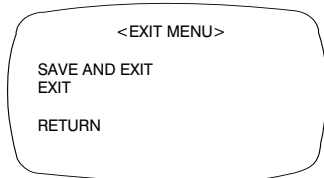


Menu Item	Description
INTERNAL	When line lock is not required.
LINELOCK	Adjust the proper phase: V.PH: 000 to 300 (factory default is 0)
	Note Line lock is not available in 12 VDC power.
AUTO	Camera automatically detects synchronization.
RETURN	Press MENU to return to the SETUP MENU.

Exit Setup Menu

To exit the SETUP menu.

Figure 15 Exit Menu



Menu Item	Description
SAVE AND EXIT	Press MENU to save your changes and exit.
EXIT	Press MENU to quit without saving your changes.
RETURN	Press MENU to return to the SETUP MENU.

Warranty and Service

Subject to the terms and conditions listed on the Product warranty, during the warranty period Honeywell will repair or replace, at its sole option, free of charge, any defective product returned prepaid. In the event you have a problem with any Honeywell product, please call Customer Service at 1.800.796.CCTV (North America only) for assistance or to request a **Return Merchandise Authorization (RMA)** number. For Europe and the United Kingdom, please contact your Honeywell dealer.

Be sure to have the model number, serial number, and the nature of the problem available for the technical service representative. Prior authorization **must** be obtained for all returns, exchanges, or credits. **Items shipped to Honeywell without a clearly identified Return Merchandise Authorization (RMA) number may be refused.**

Specifications

Note These specifications refer to all models, except where otherwise noted.

HCD484L

HCD484LX
HCD485LX

Operational

Image Sensor:	1/3" Super HAD CCD	
Video Standard:	NTSC	PAL
Scanning System:	525 lines, 2:1 interlace	625 lines, 2:1 interlace
Number of Pixels (H x V):	768 x 494	752 x 582
Minimum Illumination:	< 0.1 lux @ F1.2 (50 IRE, AGC ON, IR Filter Off, B/W)	
Horizontal Resolution:	480 TVL	480 TVL

HCD484L**HCD484LX
HCD485LX**

Video Output:	1 Vp-p @ 75 Ohms	
Sync System:	Internal/Line lock/Auto	
S/N Ratio:	> 50 dB	
Auto Gain Control (AGC):	Off, 10 dB to 38 dB	
ALC:	EE/VSD/DC	
Automatic Electronic Shutter (AES):	1/60 - 1/100,000 sec	1/50 - 1/100,000 sec
Lens Mount:	C/CS mount (adjustable)	
White Balance (AWB):	ATW, AWC, Indoor, Outdoor, Fluorescent, User, MWB	
BLC:	Off, Low, Middle, High	

Electrical

Input Voltage:	HCD484L, HCD484LX: 12 VDC/24 VAC HCD485LX: 230 VAC	
Input Voltage Range:	HCD484L, HCD484LX: 11-16 VDC/17-28 VAC HCD485LX: 230 VAC ± 10%	
Power Consumption:	HCD484L, HCD484LX: 3.5 W (max) HCD485LX: 4.5 W (max)	

Mechanical

Dimension: (W x H x D)	HCD484L, HCD484LX: 2.68 x 2.2 x 4.72 in. (68 x 56 x 120 mm) HCD485LX: 2.68 x 2.2 x 5.51 in. (68 x 56 x 140 mm)	
Weight:	HCD484L, HCD484LX: 0.84 lb (.380 kg) HCD485LX: 0.90 lb (.410 kg)	

Environmental

Temperature:	Operating: 14°F to 122°F (-10°C to +50°C) Storage: -4°F to 158°F (-20°C to +70°C)	
--------------	--	--

Regulatory

Emissions:	FCC, CE (EN55013)	
Immunity:	CE (EN50130-4)	
Safety:	EU: 73/23/EEC LVD	

Honeywell Video Systems (Head office)

2700 Blankenbaker Pkwy, Suite 150
Louisville, KY 40299, USA
www.honeywellvideo.com
☎ +1.800.796.2288

Honeywell Security Australia Pty Ltd.

Unit 5, Riverside Centre
24-28 River Road West
Parramatta, NSW 2150, Australia
www.ademco.com.au
☎ +61.2.8837.9300

Honeywell Security Asia Pacific

33/F Tower A, City Center, 100 Zun Yi
Road
Shanghai 200051, China
www.security.honeywell.com/cn
☎ +86 21.2527.4568

Honeywell Security Asia

Flat A, 16/F, CDW Building
388 Castle Peak Road
Tsuen Wan, N.T., Hong Kong
www.security.honeywell.com/hk
☎ +852.2405.2323

Honeywell Security France

Parc Gutenberg, 8, Voie La Cardon
91120, Palaiseau, France
www.honeywell.com/security/fr
☎ +33.01.64.53.80.40

Honeywell Security Italia SpA

Via Treviso 2 / 4
31020 San Vendemiano
Treviso, Italy
www.honeywell.com/security/it
☎ +39.04.38.36.51

Honeywell Security España

Mijancas 1. 3^a Planta
P.Ind. Las Mercedes
28022 Madrid, Spain
www.honeywell.com/security/es
☎ +34.902.667.800

Honeywell Video Systems**Northern Europe**

Network 121
1446 WV Purmerend, The Netherlands
www.SecurityHouse.nl
☎ +31.299.410.200

Honeywell Video Systems UK Ltd.

Aston Fields Road, Whitehouse Ind Est
Runcorn, Cheshire, WA7 3DL, UK
www.honeywellvideo.com
☎ +0844 8000 235

Honeywell Security South Africa

Unit 6 Galaxy Park, 17 Galaxy Avenue
Linbro Park, P.O. Box 59904
2100 Kengray, Johannesburg
South Africa
www.honeywell.co.za
☎ +27.11.574.2500

Honeywell Security Deutschland

Johannes-Mauthe-Straße 14
D-72458 Albstadt, Germany
www.honeywell.com/security/de
☎ +49.74 31.8 01.0

Honeywell Security Poland

Chmielewskiego 22a, 70-028
Szczecin, Polska
www.ultrak.pl
☎ +48.91.485.40.60

Honeywell Security Czech Republic

Havránkova 33, Brno
Dolní Heršpice, 619 00
Czech Republic
www.olympo.cz
☎ +420.543.558.111

Honeywell Security Slovakia Republic

Vajnorská 142, 83104 Bratislava
Slovakia
www.olympo.sk
☎ +421.2.444.54.660

Honeywell

www.honeywellvideo.com

+1.800.796.CCTV (North America only)

HVSsupport@honeywell.com

Document G-113079-002 02/07 Rev 2

© 2007 Honeywell International Inc. All rights reserved. No part of this publication may be reproduced by any means without written permission from Honeywell Video Systems. The information in this publication is believed to be accurate in all respects. However, Honeywell Video Systems cannot assume responsibility for any consequences resulting from the use thereof. The information contained herein is subject to change without notice. Revisions or new editions to this publication may be issued to incorporate such changes.

Download from Www.Somanuals.com. All Manuals Search And Download.

Honeywell

Caméra Jour/Nuit Série L

NTSC

PAL

HCD484L

HCD484LX

HCD485LX

Français

Guide d'utilisation

Révisions

Édition	Date	Révisions
1.00	10/06	Nouveau document
2	02/07	Mis à jour 900.0842 document numéro de la pièce; Avertissement supplémentaire à la page iii.

Avertissements

L'installation et l'entretien ne doivent être effectués que par du personnel qualifié et expérimenté, afin de respecter toutes les normes locales et de maintenir votre garantie.

DANGER ! Les modèles 12 VDC/24 VAC requièrent l'utilisation d'adaptateurs d'alimentation certifiés CSA/inscrits sur la liste UL, de classe 2, afin d'être en conformité avec les normes de sécurité électrique.

Lorsque la prise du RÉSEAU D'ALIMENTATION ou une prise placée sur l'appareil est utilisée comme dispositif de déconnexion, ce dispositif doit demeurer aisément accessible.

Déchets d'Équipements Électroniques et Électriques (DEEE). Élimination appropriée du produit (applicable en Union Européenne et dans d'autres pays européens pratiquant le tri sélectif). Ce produit doit être éliminé, à la fin de sa durée de vie utile, dans le respect des lois, réglementations et procédures locales applicables.

Explication des symboles graphiques

	ATTENTION RISQUE DE CHOC ELECTRIQUE NE PAS OUVRIR			CE SYMBOLE SIGNALA LA PRÉSENCE DANS L'UNITÉ D'UNE TENSION DANGEREUSE CONSTITUANT UN RISQUE DE CHOC ÉLECTRIQUE.
ATTENTION : POUR REDUIRE LE RISQUE DE CHOC ELECTRIQUE, NE PAS OTER LE CAPOT. AUCUNE PIECE N'EST REPARABLE PAR L'UTILISATEUR. LA MAINTENANCE NE DOIT ETRE EFFECTUEE QUE PAR UN PERSONNEL QUALIFIE.				CE SYMBOLE INDIQUE QUE DES INSTRUCTIONS D'UTILISATION ET DE MAINTENANCE IMPORTANTES SONT FOURNIES AVEC CETTE UNITÉ.

Déclaration de conformité FCC

Informations à l'attention de l'utilisateur :

Cet équipement a été testé et déclaré conforme aux normes définies pour un dispositif numérique de classe A. Conformément à l'article 15 de la Réglementation FCC, ces normes sont conçues pour fournir une protection suffisante contre le brouillage nuisible, lorsque l'équipement est utilisé dans un environnement commercial. Cet appareil génère, utilise et peut émettre de l'énergie de fréquence radio, et peut, en cas d'installation ou d'utilisation non conforme au manuel d'instructions, générer des interférences nuisibles aux communications radio. L'utilisation de ce produit dans une zone résidentielle peut provoquer des interférences nuisibles. Le cas échéant, l'utilisateur devra remédier à ces interférences à ses propres frais.

Attention Tout changement ou toute modification non expressément approuvée par la partie responsable de la conformité peut annuler le droit de l'utilisateur à utiliser l'appareil.

Déclaration de conformité du fabricant

Le fabricant déclare que l'équipement fourni avec le présent guide est conforme aux exigences essentielles de sécurité de la directive de comptabilité électromagnétique EMC 89/336/EEC et de la directive de basse tension LVD 73/23 EEC, conformément aux exigences des normes EN 55013 sur les émissions.

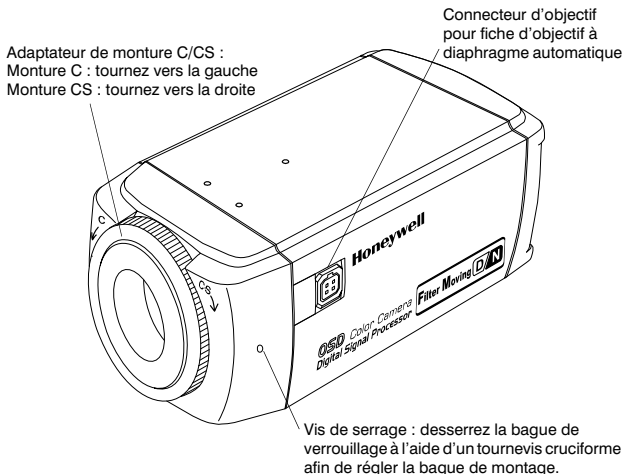
Sommaire

Introduction	1
Caractéristiques	1
Avant de commencer	2
Déballage	2
Branchement de la caméra	3
Installation	4
Choix de l'objectif	4
Réglage du tirage optique	5
Montage de la caméra	6
Branchement de la caméra	6
Connexions pour le contrôle à distance	7
Programmation	8
Comprendre l'affichage à l'écran	8
Affichage à l'écran	9
Enregistrement de vos paramètres	9
Configuration de votre caméra	10
Structure du menu d'affichage à l'écran	10
Ajout d'un affichage de titre de caméra	12
Réglage de l'optimisation d'éclairage de la caméra	13
Mode de contrôle de lumière (ELC/ALC)	13
Configuration de la balance des blancs	14
Réglage des commandes de prise de vue nocturne	15
Configuration du contrôle de la synchronisation	16
Quitter le Menu Setup (Configuration)	16
Garantie et service après-vente	17
Caractéristiques	17

Introduction

Les caméras Jour/Nuit Série L Honeywell offrent une qualité d'image et une résolution élevées grâce à un capteur d'image CCD de transfert d'interligne 1/3 po extrêmement sensible.

Figure 1 Vue d'ensemble de la caméra



Caractéristiques

- Capteur 1/3 pouces IT-CCD Super HAD
- Adaptateur de monture de l'objectif réglable C/CS
- Excellent rapport signal-bruit supérieur à 50 dB
- Luminosité minimale de 0,1 lux (F1.2, 50 IRE, IR Filter Off, B/W)
- Objectif à diaphragme à commande vidéo (VSD) ou à diaphragme à commande directe (DC)
- Menu OSD d'affichage à l'écran
- Reproduction couleurs vraies à partir de plusieurs sources lumineuses
- Commande à distance via RS485

Avant de commencer

Lire attentivement le présent guide avant d'installer la caméra Jour/Nuit Série L.

Conservez ce guide pour un usage ultérieur.

Déballage

Vérifiez que les éléments reçus correspondent bien à ceux inscrits sur le bon de commande et sur le bordereau de livraison. La boîte d'emballage de la caméra Jour/Nuit Série L doit contenir, en plus du présent Guide d'utilisation :

- Une caméra Jour/Nuit Série L
- Un câble de branchement à 4 broches
- Une fiche d'objectif à diaphragme automatique

Si l'une de ces pièces est manquante ou endommagée, contactez le vendeur de la caméra ou contactez le Service client Honeywell (voir la section *Coordonnées* au dos du présent manuel).

Remarque Un tournevis cruciforme sera également nécessaire lors de l'installation.

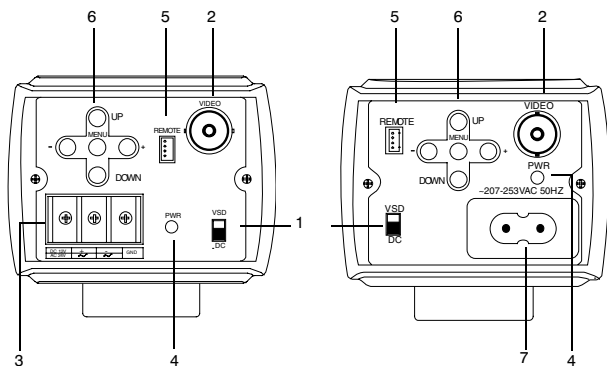
Branchement de la caméra

Fonctions de la caméra

Figure 2 Vue arrière de la caméra

Faible tension
(HCD484L, HCD484LX)

Secteur 230V—Tension d'alimentation
(HCD485LX)



Légende

Description

- 1 Sélecteur d'objectif à diaphragme automatique, **VSD** pour Vidéo ou **DC** pour Commande directe
- 2 Connecteur de sortie vidéo
- 3 Connecteur de courant d'entrée (24 V CA : 3 terminaux)—
Modèle faible tension uniquement
- 4 Témoin d'alimentation
- 5 Connecteur RS485 distant
- 6 Commande Menu (voir « Programmation » à la page 8)
- 7 Connecteur d'alimentation 230V

Installation

Choix de l'objectif

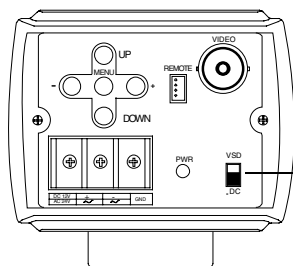
Les objectifs à diaphragme automatique et à focale variable (à commande directe ou à commande vidéo) sont raccordés à la caméra à l'aide d'une douille 4 pans à 4 broches située sur le côté de la caméra.

1. Positionnez le commutateur VSD/DC à l'arrière de la caméra sur DC.

Pour les objectifs à commande vidéo, positionnez le commutateur sur **VSD**.

Pour les objectifs à commande directe, positionnez le commutateur sur **DC**.

Modèle illustré : faible tension
(HCD484L, HCD484LX)



Réglez sur **VSD** pour un objectif à diaphragme automatique avec amplificateur intégré (objectif vidéo). Réglez sur **DC** pour un objectif à diaphragme automatique sans amplificateur (objectif DC).

2. Réglez le MODE EE (exposition automatique) sur le **MODE ALC** (contrôle de lumière automatique) dans le menu d'affichage à l'écran OSD (voir *Mode de contrôle de lumière (ELC / ALC)*).

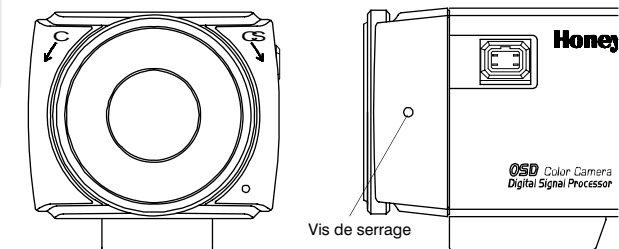
Objectif à diaphragme automatique avec amplificateur : Réglez sur VSD LENS dans le menu d'affichage à l'écran OSD.

Objectif à diaphragme automatique sans amplificateur : Réglez sur DC LENS dans le menu d'affichage à l'écran OSD. Réglez avec précaution le niveau (LEVEL) afin d'éviter tout balayage intempestif.

Réglage du tirage optique

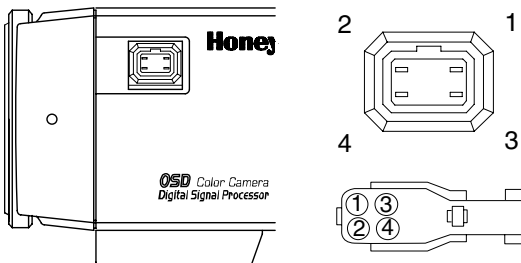
Le réglage du tirage optique est accessible sur l'extrémité avant du boîtier de la caméra et permet de régler la longueur focale arrière ou de procéder à la mise au point de l'image. La portée de réglage permet l'utilisation des deux supports d'objectifs C et CS sans avoir recours à une bague d'espacement.

Figure 3 Support C/CS



1. Desserrez la vis de serrage à l'aide d'un tournevis cruciforme.
2. Réglez la bague de variation de la focale afin d'effectuer la mise au point l'image.
3. Serrez à nouveau la vis de serrage.

Figure 4 Définition des broches d'objectifs à iris automatique



Broche	Objectif à commande directe (DC)	Objectif à commande vidéo (VSD)
1	CTRL -	Alimentation (+ 12V)
2	CTRL+	NC
3	DRV+	Signal vidéo
4	DRV-	Masse
	Positionnez le sélecteur sur DC	Positionnez le sélecteur sur VSD

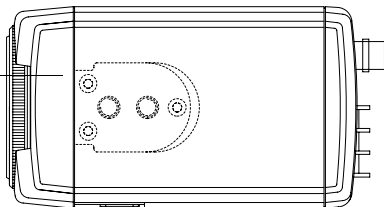
Montage de la caméra

Les points de montage se trouvent sur la partie supérieure de la caméra dans le but de monter celle-ci sur un support ou un trépied. Ils sont conçus pour supporter des vis de fixation de taille standardisée 1/4 x 20. Ce support peut être dévissé et fixé de l'autre côté de la caméra, selon les besoins de votre application. Le support de montage doit être capable de supporter le poids de la caméra et de son objectif.

Remarque Certains codes d'installation imposent que le support de montage soit en mesure de supporter jusqu'à quatre fois le poids combiné de la caméra et de l'objectif.

Figure 5 Montage de la caméra

Dévissez les trois vis de fixation du support, puis refixez ce dernier de l'autre côté de la caméra.



Branchement de la caméra

Remarque Vérifiez l'alimentation de la source externe avant de mettre la caméra sous tension.

1. Branchez le connecteur **VIDEO** à l'arrière de la caméra dans le connecteur d'entrée vidéo de votre moniteur.
2. Branchez la caméra à une alimentation appropriée (selon votre installation).

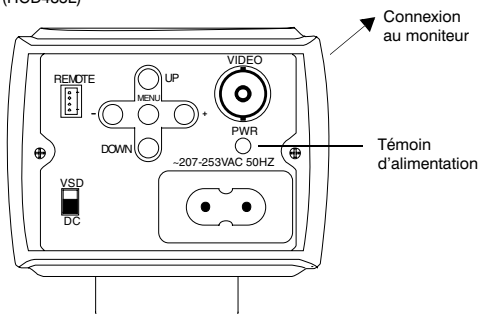
Alimentation HCD484L, HCD484LX: 12 VDC ou 24 VAC

HCD485LX : Alimentation 230V

3. Mettez sous tension. Le témoin d'alimentation (**PWR**) s'allume pour indiquer que la caméra est alimentée. Si le voyant ne s'allume pas, vérifiez les branchements et la source d'alimentation.

Figure 6 Branchements de la caméra

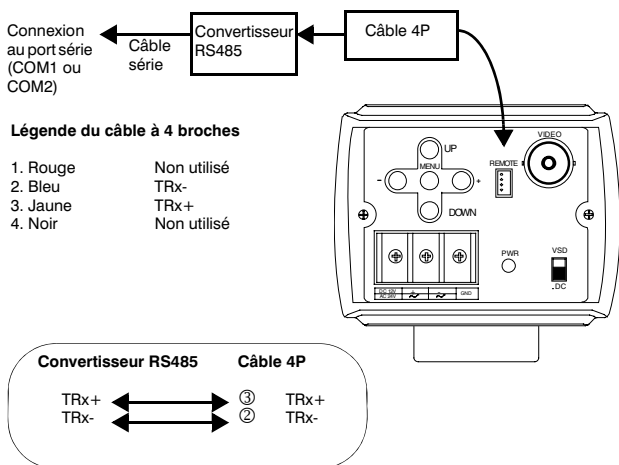
Version illustrée : secteur (230V)
(HCD485L)



Connexions pour le contrôle à distance

La caméra Jour/Nuit Série L peut être contrôlée à distance via RS485.

Figure 7 Connexion caméra via RS485



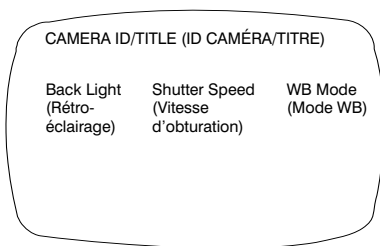
Comprendre l'affichage à l'écran

Appuyez rapidement sur **MENU** afin de confirmer la configuration actuelle. Les informations (voir *Figure 8*) s'afficheront au bout de quelques secondes si aucun bouton n'a été actionné.

Après disparition du message d'affichage à l'écran, le numéro d'identification de la caméra ou le titre continueront de s'afficher. Pour désactiver cet affichage, vous pouvez :

- Par le biais d'une communication externe, modifier la position d'affichage. Les options possibles sont :
Bottom right (en bas à droite), bottom left (en bas à gauche), top left (en haut à gauche), top right (en haut à droite), non-display (pas d'affichage)
- Si vous n'avez pas besoin d'afficher l'écran d'affichage d'exploitation (par exemple, pour carte de surimpression textuelle), vous pouvez le configurer sur OFF (DÉSACTIVÉ) à tout moment via un contrôle à distance passant par la connexion RS485.

Figure 8 Affichage des informations de l'affichage à l'écran



Back Light s'affiche si BLC est activé (voir *BLC MODE (Compensation de contre-jour)*).

Shutter Speed s'affiche si la vitesse d'obturation par défaut est modifiée.

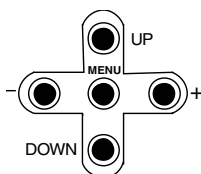
WB Mode est toujours affiché.

Affichage à l'écran

Utilisez l'affichage à l'écran pour programmer la caméra.

1. Appuyez sur le bouton **MENU** (centre) et maintenez-le enfoncé pendant 2 secondes afin d'afficher le menu Setup.
2. Appuyez sur le bouton **UP** (haut) ou **DOWN** (bas) afin de sélectionner un élément du menu.
3. Appuyez sur le bouton **MENU** pour entrer dans le sous-menu sélectionné.
4. Appuyez sur les boutons + or – pour augmenter / diminuer la valeur de l'élément sélectionné.

Figure 9 Contrôles du menu d'affichage à l'écran



Enregistrement de vos paramètres

Première méthode : Lorsque vous êtes satisfait des paramètres définis :

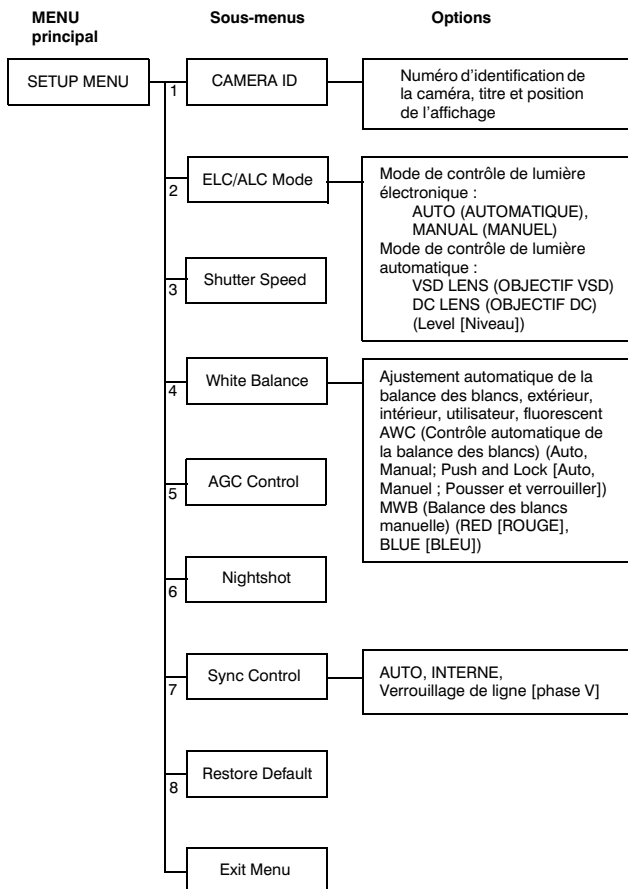
1. Appuyez sur **MENU** pendant deux secondes. Le menu SETUP (MENU CONFIGURATION) est remplacé par l'un des deux messages suivants :
SAVE? (ENREGISTRER ?) s'affiche lorsque des valeurs ont été modifiées. Si vous sélectionnez **SAVE (ENREGISTRER)**, vous quittez le mode de configuration Setup après enregistrement de vos modifications.
QUIT? (QUITTER ?) s'affiche si vous n'avez modifié aucun paramètre. Si vous sélectionnez **QUIT (QUITTER)**, vous quittez le mode de configuration Setup sans enregistrer les éventuelles modifications.
2. Appuyez sur + ou – afin de sélectionner **SAVE (ENREGISTRER)** ou **QUIT (QUITTER)**, puis appuyez sur **MENU** pour sortir du mode de configuration Setup. Appuyez sur **UP (HAUT)** ou **DOWN (BAS)** afin d'annuler le choix **SAVE/QUIT (ENREGISTRER / QUITTER)** et retourner au MENU SETUP (MENU CONFIGURATION).

Deuxième méthode : Sélectionnez **EXIT MENU (QUITTER LE MENU)** dans le MENU SETUP, appuyez sur **MENU**, puis sélectionnez **SAVE AND EXIT (ENREGISTRER ET QUITTER)** afin d'enregistrer les paramètres modifiés et quitter le menu. Sélectionnez **EXIT (QUITTER)** afin de quitter sans enregistrer les paramètres.

Configuration de votre caméra

Structure du menu d'affichage à l'écran

Le menu de la caméra Jour / Nuit Série L se compose d'un menu principal pour une programmation facile.

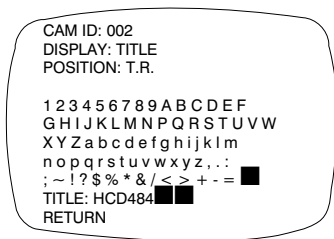


Élément de menu	Option	Description
1 CAMERA ID	000 (off), 001 ... 255	Si le numéro d'identification est défini sur 0 , il ne sera pas affiché. Voir <i>Configuration du contrôle de la synchronisation</i> pour plus d'informations.
2 ELC / ALC Mode	ELC ... ALC ...	Voir <i>Mode de contrôle de lumière (ELC / ALC)</i> pour plus d'informations.
3 Shutter Speed	1/60 NTSC (1/50 PAL) FL 1/250 1/500 1/1000 1/2000 1/4000 1/10000 1/30000 1/50000	Pour régler la luminance avec une vitesse d'obturation élevée. Clignotement Il est impossible de régler ce champ lorsque la caméra est configurée sur ELC MODE (MODE ELC). Auto est sélectionné par défaut.
4 White Balance	ATW (Auto Trace White Balance) AWC (Auto White Balance Control) MWB (Manual White Balance)	Mode de balance des blancs, auto et manuel. Les modes prédéfinis de balance des blancs sont les suivants : INDOOR (INTÉRIEUR), FLUORESCENT, USER (UTILISATEUR) et OUTDOOR (EXTÉRIEUR). Voir <i>Configuration de la balance des blancs</i> pour plus d'informations.
5 AGC Control	OFF 10 dB 12 dB ... 38 dB	Pour ajuster la valeur minimale du gain AGC (contrôle de gain automatique). Lorsque AGC est réglé sur OFF, la fonction Nightshot n'est pas disponible.
6 Nightshot		Définition du comportement de la caméra en environnement peu éclairé.
7 Sync. Control	AUTO INTERNAL LineLock (V.Phase)	Voir <i>Configuration du contrôle de la synchronisation</i> pour plus d'informations.
8 Restore Default		Pour rétablir les paramètres d'usine par défaut. Si vous n'avez effectué aucune modification, vous ne pouvez pas sélectionner ce paramètre.

Ajout d'un affichage de titre de caméra

L'ajout d'un numéro d'identification de caméra peut être utile si votre réseau comporte plusieurs caméras. Pour ajouter un numéro d'identification de caméra ou un titre, affichez **SETUP MENU (CONFIGURATION)**, sélectionnez **CAMERA ID** et appuyez sur **MENU**.

Figure 10 Ajout d'un titre de caméra (Title)



Élément de menu	Option	Description
CAM ID	0 001 ... 255	Le numéro affecté à chaque caméra de votre réseau peut aller de 000 à 255 . Lorsque le numéro est défini sur 000 , l'identifiant n'est pas affiché à l'écran.
DISPLAY	TITLE ID OFF	Sélection de ce qui doit s'afficher à l'écran (Camera TITLE , (TITRE de la caméra) ID (numéro d'identification) ou rien).
POSITION	T.R. B.R. B.L. T.L. NO DISP	Sélectionnez l'emplacement d'affichage du numéro d'identification de la caméra ou du titre (en haut à droite, en bas à droite, en bas à gauche, en haut à gauche et aucun affichage).
TITLE		Entrée d'un nom pour la caméra. 10 caractères maximum, espaces compris.
RETURN		Appuyez sur MENU afin de revenir au menu principal SETUP MENU (MENU DE CONFIGURATION) .

Entrée d'un titre de caméra

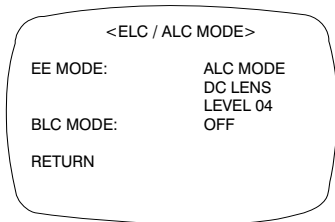
1. Placez-vous sur le premier caractère du titre (TITLE :) à l'aide des commandes de menu + ou - situées à l'arrière de la caméra.
2. Utilisez les boutons **UP**, **DOWN**, +, - pour sélectionner le premier caractère du titre, et appuyez sur la touche **MENU** afin de définir le caractère.

- Une fois la position établie, utilisez les boutons **UP** (HAUT), **DOWN** (BAS), **+**, **-** pour vous déplacer d'un caractère alphanumérique à l'autre. Lorsque le caractère souhaité clignote, appuyez sur **MENU** pour l'accepter. Répétez les étapes 2 et 3 jusqu'au dernier caractère du titre.
- Sélectionnez **RETURN** et appuyez sur **MENU** pour accepter vos modifications et revenir au menu principal SETUP MENU (MENU CONFIGURATION).

Réglage de l'optimisation d'éclairage de la caméra

Mode de contrôle de lumière (ELC / ALC)

Figure 11 Réglage de l'éclairage de la caméra



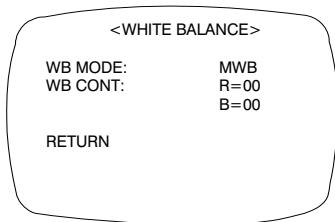
Pour régler le mode de l'objectif, la compensation de contre-jour et le BMB :

Élément de menu	Option	Description
EE MODE: ELC MODE	AUTO MANUAL	Pour un objectif manuel (fixe) : AUTO : L'objectif effectue automatiquement une mesure d'exposition électronique. MANUAL (MANUEL) : Réglez l'objectif en modifiant manuellement la vitesse d'obturation élevée.
EE MODE: ALC MODE	VSD LENS DC LENS	Pour un objectif à diaphragme automatique : VSD : Sélectionnez pour un objectif vidéo. DC LENS (OBJECTIF DC) : Sélectionnez pour un objectif DC (« direct drive »). Ajustez le LEVEL (NIVEAU) jusqu'à ce que l'image ne soit ni trop claire ni trop sombre.
BLC MODE (Compensation de contre-jour)	OFF LOW BL MID. BL HIGH BL	Prévient l'obscurcissement de l'objet situé au centre de l'image en cas de lumière excessive venant de derrière.
RETURN		Appuyez sur MENU afin de revenir au menu principal SETUP MENU (MENU CONFIGURATION).

Configuration de la balance des blancs

Une balance de blancs matique permet d'assurer le maintien de l'intégrité des couleurs dans la gamme couleur 2800°K à 8000°K :

Figure 12 Contrôle de la balance des blancs

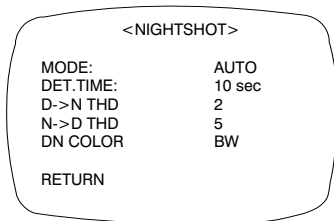


Élément de menu	Description
ATW (Suivi automatique de la balance des blancs)	Système de retour qui aligne automatiquement la balance des blancs (2800°K à 8000°K).
AWC (Contrôle automatique de la balance des blancs)	Effectue une action plus rapide que le mode ATW (AJUSTEMENT AUTOMATIQUE DE LA BALANCE DES BLANCS) sans plage de fonctionnement. Vous avez le choix entre les options suivantes : AUTO : Le contrôle automatique de la balance des blancs fonctionne tout le temps MANUAL (MANUEL) : PUSH (POUSSER) = Appuyez sur la touche MENU pour lancer le contrôle automatique de la balance des blancs MANUAL (MANUEL) : LOCK (VERROUILLER) = Relâchez la touche MENU pour appliquer la balance des blancs en cours
INDOOR	Pré-réglage général pour les scènes en intérieure (3200°K).
FLUORESCENT	Environnements de bureau avec un éclairage fluorescent ou à incandescence. Fournit une gamme dynamique plus faible que toutes celles prédéfinies (4200°K).
USER FIXED	Pré-réglage (4700°K)
OUTDOOR	Pré-réglage pour les environnements extérieurs et les scènes à fort contraste où la mise au point de la caméra est faite sur le point le plus sombre (6300°K).
MWB (Mode manuel)	ROUGE : 0 à 20 BLEU : 0 à 20
RETURN	Appuyez sur MENU afin de revenir au menu principal SETUP MENU (MENU CONFIGURATION).

Réglage des commandes de prise de vue nocturne

Le menu Nightshot vous permet de définir le fonctionnement de la caméra en environnement faiblement éclairé et le basculement entre les modes Night (Nuit) et Day (Jour). AGC (Contrôle de gain automatique) doit être **actif** pour que le fonction Nightshot fonctionne.

Figure 13 Réglage de la balance des blancs

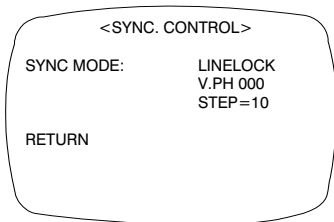


Élément de menu	Description
MODE	AUTO : La caméra retire ou insère un filtre de coupe IR par détection automatique de luminance. ON : Le filtre de coupe IR est retiré (mode Nuit) OFF : Le filtre de coupe IR est inséré (mode Jour)
DET.TIME	Définition du délai (5 à 60 secondes) au terme duquel la caméra passe en mode Jour ou Nuit après détection d'une condition de faible luminosité. MODE doit être réglé sur AUTO .
D->N THD (Seuil)	Détermination du niveau de détection de faible luminosité (1 à 9) lorsque la caméra passe en mode Nuit. Plus la valeur est faible, plus les conditions de luminosité sont faibles avant que la caméra ne passe en mode Nuit. MODE doit être réglé sur AUTO . Remarque D-> THD doit être réglé sur au moins 2 de moins que le paramètre N->D THD.
N->D THD (Seuil)	Détermination du niveau de détection de faible luminosité (1 à 9) lorsque la caméra passe en mode Jour. Plus la valeur est faible, plus les conditions de luminosité sont faibles avant que la caméra ne passe en mode Jour. MODE doit être réglé sur AUTO .
DN COLOR	Définition du mode couleur en B.W N/B (mono-chrome) ou COLOR (COULEUR) en mode Nuit. MODE doit être réglé sur AUTO ou ON .
RETURN	Appuyez sur MENU afin de revenir au menu principal SETUP MENU.

Configuration du contrôle de la synchronisation

Permet de synchroniser l'impulsion de synchronisation verticale de votre caméra avec un autre matériel afin de réduire l'effet de décrochage de synchro sur le moniteur.

Figure 14 Configuration du contrôle de la synchronisation

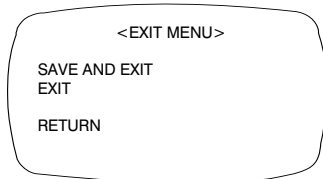


Élément de menu	Description
INTERNAL	Lorsque le verrouillage de ligne n'est pas nécessaire.
LINELOCK	Ajustez la phase correcte : V.PH (PHASE V) : 000 – 300 (le paramètre d'usine par défaut est 0) Remarque Le verrouillage de ligne n'est pas disponible sur une alimentation 12 VDC.
AUTO	La caméra détecte automatiquement la synchronisation.
RETURN	Appuyez sur MENU afin de revenir au menu principal SETUP MENU (MENU CONFIGURATION).

Quitter le Menu Setup (Configuration)

Permet de quitter le menu SETUP (MENU CONFIGURATION).

Figure 15 Quitter le menu



Élément de menu	Description
SAVE AND EXIT	Appuyez sur MENU afin d'enregistrer vos modifications et quitter.
EXIT	Appuyez sur MENU pour quitter sans enregistrement de vos modifications.
RETURN	Appuyez sur MENU afin de revenir au menu principal SETUP MENU (MENU CONFIGURATION).

Garantie et service après-vente

Soumise aux termes et conditions énumérées sur la garantie du produit, Honeywell réparera ou remplacera, pendant la période de garantie, selon son propre choix, sans frais supplémentaire, tout produit défectueux prépayé et retourné.

En cas de problème avec un produit Honeywell, veuillez contacter le Service client au 1 800 796 CCTV (Amérique du Nord uniquement) pour recevoir une assistance ou demander un numéro d'**Autorisation de Retour de Marchandise (ARM)**. Pour l'Europe et le Royaume Uni, veuillez contacter votre distributeur Honeywell.

Veuillez vous assurer de disposer du numéro de modèle, du numéro de série et de la nature du problème afin de les fournir au représentant du service technique.

Vous **devez** vous procurer une autorisation préalable pour tout retour, échange ou crédit. **Les articles expédiés à Honeywell sans numéro d'Autorisation de Retour de Marchandise pourront être refusés.**

Caractéristiques

Remarque Ces caractéristiques font référence à tous les modèles, sauf mention contraire.

	HCD484L	HCD484LX/HCD485LX
Opérationnel		
Type de capteur :	1/3 pouces Super HAD CCD	
Standard vidéo :	NTSC	PAL
Système de balayage :	525 lignes, 2:1 entrelacé	625 lignes, 2:1 entrelacé
Nombre de pixels (H x V) :	768 x 494	752 x 582
Luminosité minimale :	< 0,1 lux @ F1.2 (50 IRE, contrôle de gain automatique activé, Filtre IR Off, N/B)	

HCD484L**HCD484LX/HCD485LX**

Résolution horizontale :	480 TVL	480 TVL
Sortie vidéo :	1 Vp-p @ 75 Ohms	
Système de synchronisation :	Interne/Blocage de ligne/Auto	
Rapport son/bruit :	> 50 dB	
Contrôle automatique de gain (AGC) :	Désactivé, 10 à 38 dB	
ALC:	EE/VSD/DC	
Obturation électronique automatique (AES) :	1/60 - 1/100 000 sec	1/50 - 1/100 000 sec
Monture de l'objectif :	Monture (réglable) C/CS :	
Balance des blancs (AWB) :	Ajustement automatique de la balance des blancs/contrôle automatique de la balance des blancs/Intérieur/Extérieur/Fluorescent/Manuel/Balance des blancs par une pression	
BLC:	Désactivé, Faible, Moyen, Élevé	

Branchement électrique

Tension d'entrée :	HCD484L, HCD484LX : 12 VDC/24 VAC HCD485LX : 230 VAC	
Plage des tensions d'entrée :	HCD484L, HCD484LX : 11-16 VDC/17-28 VAC HCD485LX : 230 VAC ± 10%	
Consommation :	HCD484L, HCD484LX : 3.5 W (max) HCD485LX : 4.5 W (max)	

Boîtier

Dimensions : (L x H x P)	HCD484L, HCD484LX : 68 x 56 x 120 mm HCD485LX : 68 x 56 x 140 mm	
Poids :	HCD484L, HCD484LX : 0,380 kg HCD485LX : 0,410 kg	

Environnement

Température :	Fonctionnement : -10°C à +50°C Stockage : -20°C à +70°C	
---------------	--	--

Réglementation

Émissions :	FCC, CE (EN55013)	
Immunité :	CE (EN50130-4)	
Sécurité :	EU : 73/23/EEC LVD	

Honeywell Video Systems (Siège)

2700 Blankenbaker Pkwy, Suite 150
Louisville, KY 40299, États-Unis
www.honeywellvideo.com
☎ +1.800.796.2288

Honeywell Security Australia Pty Ltd.

Unit 5, Riverside Centre
24-28 River Road West
Parramatta, NSW 2150, Australie
www.ademco.com.au
☎ +61.2.8837.9300

Honeywell Security Asia Pacific

33/F Tower A, City Center, 100 Zun Yi
Road
Shanghai 200051, Chine
www.security.honeywell.com/cn
☎ +86 21.2527.4568

Honeywell Security Asia

Flat A, 16/F, CDW Building
388 Castle Peak Road
Tsuen Wan, N.T., Hong Kong
www.security.honeywell.com/hk
☎ +852.2405.2323

Honeywell Security France

Parc Gutenberg, 8, Voie La Cardon
91120, Palaiseau, France
www.honeywell.com/security/fr
☎ +33.01.64.53.80.40

Honeywell Security Italia SpA

Via Treviso 2 / 4
31020 San Vendemiano
Treviso, Italie
www.honeywell.com/security/it
☎ +39.04.38.36.51

Honeywell Security España

Mijancas 1. 3ª Planta
P.Ind. Las Mercedes
28022 Madrid, Espagne
www.honeywell.com/security/es
☎ +34.902.667.800

Honeywell Video Systems

Northern Europe
Network 121
1446 WV Purmerend, Pays Bas
www.SecurityHouse.nl
☎ +31.299.410.200

Honeywell Video Systems UK Ltd.

Aston Fields Road, Whitehouse Ind Est
Runcorn, Cheshire, WA7 3DL,
Royaume-Uni
www.honeywellvideo.com
☎ +0844 8000 235

Honeywell Security South Africa

Unit 6 Galaxy Park, 17 Galaxy Avenue
Linbro Park, P.O. Box 59904
2100 Kengray, Johannesburg
Afrique du Sud
www.honeywell.co.za
☎ +27.11.574.2500

Honeywell Security Deutschland

Johannes-Mauthe-Straße 14
D-72458 Albstadt, Allemagne
www.honeywell.com/security/de
☎ +49.74 31.8 01.0

Honeywell Security Poland

Chmielewskiego 22a, 70-028
Szczecin, Pologne
www.ultrak.pl
☎ +48.91.485.40.60

Honeywell Security Czech Republic

Havránkova 33, Brno
Dolní Heršpice, 619 00
République Tchèque
www.olympo.cz
☎ +420.543.558.111

Honeywell Security Slovakia Republic

Vajnorská 142, 83104 Bratislava
Slovaquie
www.olympo.sk
☎ +421.2.444.54.660

Honeywell

www.honeywellvideo.com

+1.800.796.CCTV (Amérique du Nord uniquement)

HVSsupport@honeywell.com

Document G-113079-002 02/07 Rév 2

© 2007 Honeywell International Inc. Tous droits réservés. Aucune partie de cette publication ne peut être reproduite par quelque moyen que ce soit sans l'autorisation écrite de Honeywell Video Systems. Les informations contenues dans cette publication sont tenues pour exactes à tout point de vue. Cependant, Honeywell Video Systems ne peut être tenu pour responsable de toute conséquence résultant de son utilisation. Les informations ci-contenues peuvent être modifiées sans avertissement préalable. Des révisions ou nouvelles éditions de cette publication peuvent être publiées afin d'incorporer de telles modifications.

Download from Www.Somanuals.com. All Manuals Search And Download.

Honeywell

Cámara día/noche en color L-Series

NTSC PAL

HCD484L

HCD484LX

HCD485LX

Español

Guía del usuario

Revisiones

Número	Fecha	Revisiones
1.00	10/06	Nuevo documento
2	02/07	Documento actualizado número de pieza; Advertencia agregada a la página iii.

Advertencias

La instalación y el mantenimiento deben ser realizados por personal experimentado y especializado para cumplir con las normas locales y mantener la cobertura de la garantía.

ADVERTENCIA Es obligatorio que los modelos de 12 V CC/24 V CA utilicen adaptadores de corriente de Clase 2 reconocidos por UL o aprobados por CSA, para garantizar el cumplimiento de las normas de seguridad eléctrica.

Aunque se utilice el enchufe o clema de conexión a red como dispositivo de desconexión, debe instalarse un dispositivo de desconexión que permita cortar la alimentación.

WEEE (Residuos de equipos eléctricos y electrónicos).

Eliminación correcta de este producto (aplicable en la Unión Europea y otros países europeos con diferentes sistemas de recogida). Se debe eliminar este producto al final de su vida útil conforme a las normas, normativas y procedimientos locales aplicables.

Explicación de los símbolos gráficos

	PRECAUCION RIESGO DE DESCARGA ELÉCTRICA. NO ABRIR			ESTE SÍMBOLO INDICA LA EXISTENCIA DE TENSIÓN PELIGROSA EN LA UNIDAD Y PODRÍA SUPONER UN RIESGO DE DESCARGA ELÉCTRICA.
PRECAUCIÓN: PARA REDUCIR EL RIESGO DE DESCARGAS ELÉCTRICAS, NO RETIRE LA CUBIERTA. NO HAY PIEZAS EN EL INTERIOR QUE PUEDA MANIPULAR EL USUARIO. ES CONVENIENTE DEJAR LAS FUNCIONES DE MANTENIMIENTO AL PERSONAL ESPECIALIZADO				ESTE SÍMBOLO INDICA QUE SE INCLUYEN INSTRUCCIONES DE FUNCIONAMIENTO Y MANTENIMIENTO IMPORTANTES CON ESTA UNIDAD.

Declaración de conformidad con las Normas FCC

Información dirigida al usuario: Este dispositivo ha sido sometido a pruebas y ha demostrado cumplir con los límites establecidos para un dispositivo digital de clase A. Conforme al Apartado 15 de las Normas FCC, estos límites han sido diseñados para proporcionar una protección razonable frente a las interferencias perjudiciales durante su uso en un entorno comercial. Este equipo genera, utiliza y puede emitir energía de radiofrecuencia y, si no se instala y utiliza acorde al manual de instrucciones, podría provocar interferencias en las comunicaciones por radio. Es probable que el uso de este dispositivo en una zona residencial provoque interferencias perjudiciales. En este caso, el usuario deberá corregir dicha interferencia y asumir los costes.

Precaución Cualquier modificación realizada sin la aprobación expresa de la parte responsable del cumplimiento de las normas, podría anular el derecho del usuario a utilizar el equipo.

Declaración de conformidad del fabricante

El fabricante declara que el equipo suministrado con esta guía cumple con los requisitos básicos de protección, con arreglo a la Directiva 89/336/CEE sobre compatibilidad electromagnética y la Directiva 73/23/CEE sobre baja tensión, conforme a los requisitos de los estándares EN 55013 para emisiones.

Contenido

Introducción	1
Características	1
Antes de comenzar	2
Desembalaje de todo	2
Funciones de la cámara	3
Instalación	4
Selección de la lente	4
Ajuste del enfoque posterior	5
Montaje de la cámara	6
Conexión de la cámara	6
Conexiones del control remoto	7
Programación	8
Menú en pantalla (OSD)	8
Funciones del menú en pantalla	9
Almacenamiento de la configuración	9
Configuración de la cámara	10
Estructura del menú en pantalla (OSD)	10
Añadir un ID o título de cámara	12
Configuración de la optimización de luz de la cámara	13
Modo de control de luz ELC / ALC	13
Configuración del control del balance de blancos	14
Configuración del control de grabación nocturna	15
Configuración del control de la sincronización	16
Cierre del menú de configuración	16
Garantía y servicio	17
Especificaciones	17

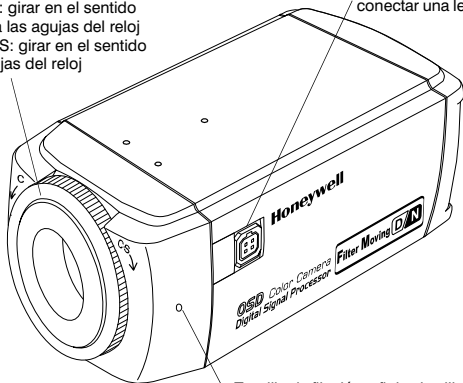
Introducción

Las cámaras día/noche en color Honeywell L-Series ofrecen imágenes de elevada calidad y resolución con un sensor de imágenes CCD con transferencia interlineal de 1/3 pulgadas muy sensible.

Figura 1 Descripción general de la cámara

Adaptador de montaje C/CS
Montaje C: girar en el sentido contrario a las agujas del reloj
Montaje CS: girar en el sentido de las agujas del reloj

Conector de lente para conectar una lente autoiris



Tornillo de fijación: afloje el anillo de fijación con un destornillador Phillips para ajustar la rosca de montaje.

Características

- CCD Super HAD IT de tipo 1/3"
- Adaptador para el montaje de la lente ajustable C/CS
- Excelente relación señal/ruido superior a 50 dB
- Iluminación mínima de 0,1 lux (F1.2, 50 IRE, filtro IR desactivado, B/N)
- Compatible con lentes autoiris tipo vídeo (VSD) o de control directo (DC)
- Control del menú en pantalla
- Reproducción de color auténtico de varias fuentes de iluminación
- Control remoto con conexión RS485

Antes de comenzar

Lea atentamente esta guía antes de instalar la cámara día/noche en color L-Series.

Guarde esta guía para futuras consultas.

Desembalaje de todo

Compruebe que los artículos recibidos coinciden con los que figuran en el pedido y el comprobante de la caja. La caja de la cámara día/noche L-Series debería incluir además de esta Guía del usuario:

- Cámara día/noche en color L-Series
- Un cable de conexión de 4 patillas
- Un conector para la lente autoiris

Si faltara algún componente o estuviera dañado, póngase en contacto con el distribuidor donde adquirió la cámara o llame al servicio de atención al cliente de Honeywell (consulte el apartado *Información de contacto* al final de este manual).

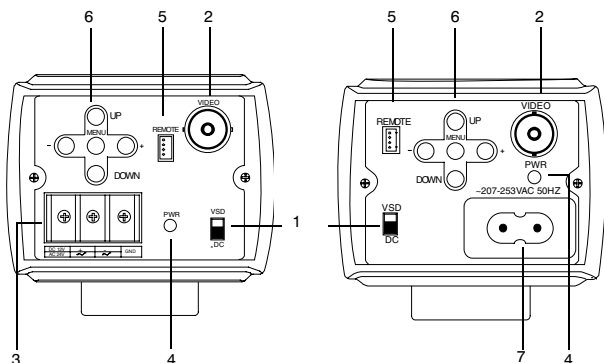
Nota Necesitará también un destornillador Phillips para completar la instalación.

Funciones de la cámara

Figura 2 Vista posterior de la cámara

Baja tensión
(HCD484L, HCD484LX)

Red 230 V—Tensión de línea
(HCD485LX)



Leyenda

Descripción

- 1 Conmutador de selección de lentes autoiris, **VSD** para vídeo o **DC** para control directo
- 2 Conector de salida de vídeo
- 3 (12 VCC / 24 VCA: 3Terminales)
- 4 Indicador luminoso (LED) de alimentación
- 5 Conector RS485 remoto
- 6 Control de menú (consulte “Programación” en la *página 8*)
- 7 Conector de alimentación de tensión de línea de red de 230 V

Instalación

Selección de la lente

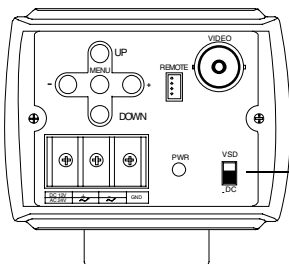
Las lentes autoiris varifocales (Control directo o Tipo vídeo) se conectan a la cámara mediante un conector cuadrado de 4 patillas situado en el lateral de la cámara.

1. Cambie el interruptor VSD/DC situado en la parte posterior de la cámara.

Para lentes de tipo vídeo, coloque el conmutador en **VSD**.

Para lentes de control directo, coloque el conmutador en **DC**.

Se muestra el modelo de baja tensión (HCD484L, HCD484LX)



VSD = lente autoiris con amplificador integrado (lente de tipo vídeo)
DC = lente autoiris sin amplificador (lente de tipo control directo)

2. Configure la opción EE MODE como **ALC MODE** en el menú en pantalla (consulte **ALC MODE**).

Lente autoiris con amplificador: configure la opción VSD LENS en el menú en pantalla.

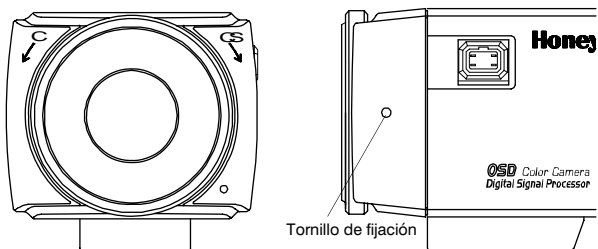
Lente autoiris sin amplificador: configure la opción DC LENS en el menú en pantalla. Ajuste el nivel en LEVEL con cuidado para evitar la búsqueda del sujeto.

Ajuste del enfoque posterior

Se puede acceder al ajuste del enfoque posterior en el extremo frontal de la carcasa de la cámara para ajustar la longitud focal posterior o el enfoque de la imagen.

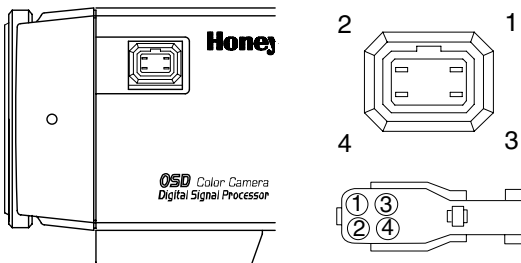
El rango de ajuste permite que se utilicen lentes de montaje C y CS sin necesidad de un anillo espaciador.

Figura 3 Montaje C/CS



1. Afloje el tornillo de fijación con un destornillador Phillips.
2. Ajuste el anillo de enfoque para enfocar la imagen.
3. Vuelva a apretar el tornillo de fijación.

Figura 4 Definición de las 4 patillas de la lente autoiris



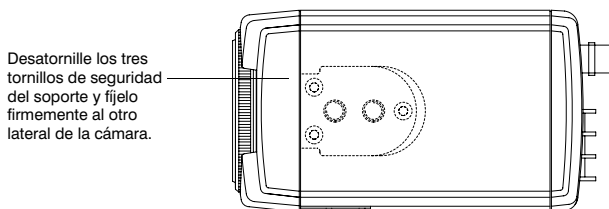
Patilla	Lente de control directo (DC)	Lente de tipo vídeo (VSD)
1	CTRL -	Alimentación (+12 V)
2	CTRL +	NC
3	DRV +	Señal de vídeo
4	DRV -	GND
	Cambie el conmutador de selección a DC .	Cambie el conmutador de selección a VSD .

Montaje de la cámara

Aparecen unos puntos de montaje marcados en la parte superior de la cámara para montarla sobre un soporte o trípode. Están diseñados para admitir tornillos de montaje de tamaño $\frac{1}{4}$ x 20 estándar. Se puede desatornillar este soporte y montarlo en el lateral opuesto de la cámara, según el uso que se vaya a dar. El soporte debe aguantar el peso de la cámara y su lente.

Nota Algunas normas de instalación establecen que el soporte debe poder soportar hasta cuatro veces el peso combinado de la cámara y su lente.

Figura 5 Montaje de la cámara



Conexión de la cámara

Nota Compruebe la fuente de alimentación de la toma externa antes de conectar la corriente a la cámara.

1. Conecte el conector de **VIDEO** situado en la parte posterior de la cámara al conector de entrada de vídeo de su monitor.
2. Conecte la cámara a una fuente de alimentación adecuada para su instalación.

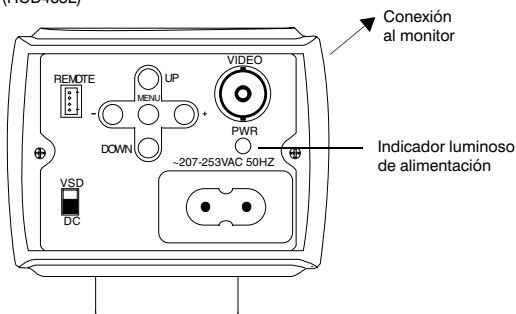
HCD484L, HCD484LX: fuente de alimentación de 12 V CC o 24 V CA

HCD485LX: fuente de alimentación de 230 V

3. Conecte la fuente de alimentación. Se encenderá el indicador luminoso de alimentación (**PWR**) para indicar que la cámara recibe corriente. Si no se enciende, compruebe las conexiones y la fuente de alimentación.

Figura 6 Conexiones de la cámara

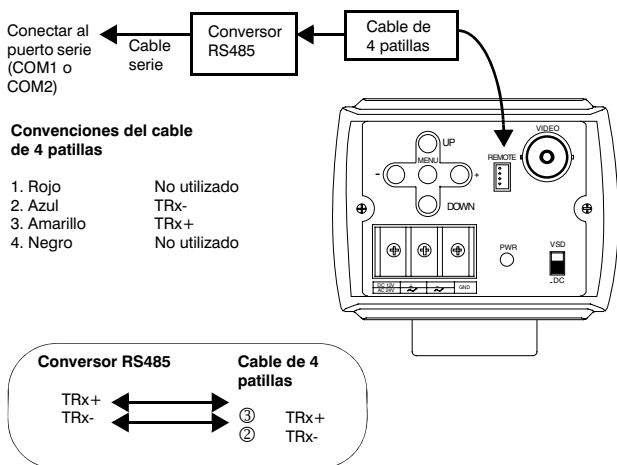
Versión mostrada, red (230 V)
(HCD485L)



Conexiones del control remoto

La cámara día/noche en color L-Series puede controlarse de forma remota mediante una conexión RS485.

Figura 7 Conexión de cámara RS485



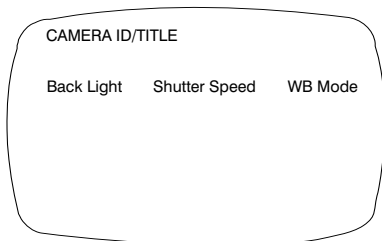
Menú en pantalla (OSD)

Pulse **MENU** brevemente para confirmar la configuración de funcionamiento actual. La información (consulte la *Figura 8*) desaparecerá tras unos segundos si no se pulsa ningún botón.

Aunque el mensaje desaparezca, el título o ID de la cámara seguirá en pantalla si se selecciona en el submenú CAMERA ID. Para desactivar el título o ID de la cámara:

- Con la comunicación externa, cambie la posición en la pantalla. Las opciones son
Bottom right, Bottom left, Top left, Top right,
Non display
- Si no necesita ver el menú en pantalla operativo (por ejemplo, para un panel de superposición de texto externo), se puede configurar como OFF (desactivado) en cualquier momento, utilizando el control remoto con conexión RS485.

Figura 8 Visualización de la información del menú en pantalla



Back Light se muestra si se activa BLC (consulte *BLC MODE (Compensación de contraluz)*..

Shutter Speed se muestra si se modifica la velocidad predeterminada del obturador.

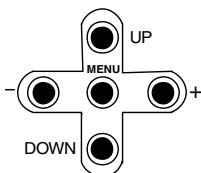
WB Mode siempre se muestra.

Funciones del menú en pantalla

Utilice los controles del menú en pantalla (OSD) para programar la cámara.

1. Mantenga pulsado el botón central **MENU** durante dos segundos para mostrar el menú de configuración.
2. Pulse los botones **UP** o **DOWN** para seleccionar una opción.
3. Pulse el botón **MENU** para acceder al submenú seleccionado.
4. Pulse los botones + o - para aumentar/disminuir el valor del elemento seleccionado.

Figura 9 **Controles del menú en pantalla**



Almacenamiento de la configuración

Primer método: Una vez configurados los ajustes deseados:

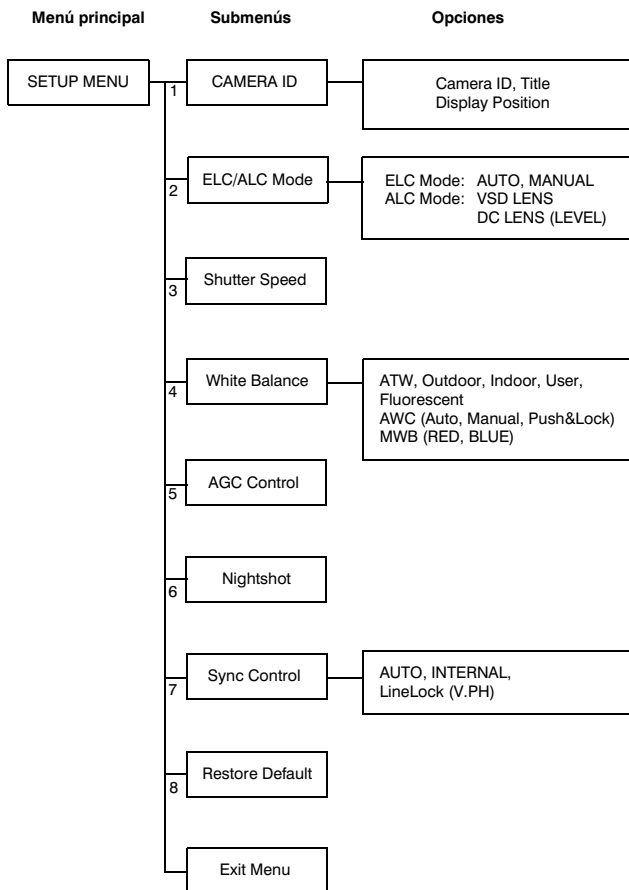
1. Pulse **MENU** durante dos segundos. Aparecen dos mensajes en lugar del menú SETUP:
SAVE? si se han cambiado los ajustes. Si selecciona **SAVE** se cerrará el modo de configuración y se guardarán los cambios.
QUIT? si no se han cambiado los ajustes. Al seleccionar **QUIT** se cierra el modo de configuración sin guardar los valores.
2. Pulse + o - para seleccionar **SAVE** o **QUIT** y pulse después **MENU** para salir del modo de configuración. Pulse **UP** o **DOWN** para cancelar **SAVE/QUIT** y volver al menú de configuración SETUP.

Segundo método: Seleccione **EXIT MENU** en SETUP MENU, pulse **MENU**, y seleccione después **SAVE AND EXIT** para guardar los ajustes cambiados y cerrar el menú. Seleccione **EXIT** para salir sin guardar los ajustes.

Configuración de la cámara

Estructura del menú en pantalla (OSD)

El sistema de menús de la cámara día/noche en color L-Series consta de un menú de configuración principal para una programación sencilla.

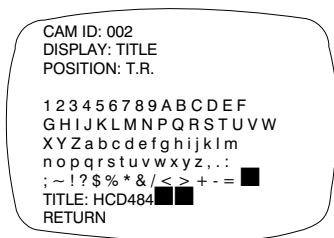


Elemento de menú	Opción	Descripción
1 CAMERA ID	000 (desact.), 001 ... 255	0 : Desactiva la pantalla de ID. Consulte <i>Configuración del control de la sincronización</i> para obtener más información.
2 ELC/ALC Mode	ELC ... ALC ...	Consulte <i>Modo de control de luz ELC / ALC</i> para obtener más información.
3 Shutter Speed	1/60 NTSC (1/50 PAL) FL 1/250 1/500 1/1000 1/2000 1/4000 1/10000 1/30000 1/50000	Ajusta la intensidad de luz con una alta velocidad de obturador. FL : Elimina el parpadeo de una imagen. Este campo no admite ajuste cuando la cámara está en ELC MODE . El valor predeterminado es Auto .
4 White Balance	ATW (Modo de detección automática del balance de blancos) AWC (Modo de control automático del balance de blancos) MWB (Balance de blancos automático)	Los modos del balance de blancos predefinidos son Outdoor, Indoor, User, Fluorescent Consulte <i>Configuración del control del balance de blancos</i> para obtener más información.
5 AGC Control	OFF 10 dB 12 dB ... 38 dB	Ajusta el valor máximo del control automático de ganancia (AGC). Si el AGC se configura como OFF, la opción Nightshot no está disponible.
6 Nightshot		Establece el comportamiento de la cámara en condiciones de poca iluminación.
7 Sync. Control	AUTO INTERNAL LineLock (V.Phase)	Consulte <i>Configuración del control de la sincronización</i> para obtener más información.
8 Restore Default		Vuelve a cargar la configuración predeterminada de fábrica. Si no ha realizado ningún cambio, no podrá seleccionar este ajuste.

Añadir un ID o título de cámara

Los ID de cámara resultan muy útiles cuando hay varias cámaras en la red. Para añadir un ID o título de cámara, entre en el SETUP MENU, seleccione **CAMERA ID** y pulse **MENU**.

Figura 10 Añadir un ID o título de cámara



Elemento de menú	Opción	Descripción
CAM ID	0 001 ... 255	El número asignado a cada cámara de la red, de 000 a 255 . 0 : El ID no aparece en la pantalla.
DISPLAY	TITLE ID OFF	Seleccione qué elemento desea que aparezca en pantalla (TITLE , ID o nada).
POSITION	T.R. B.R. B.L. T.L. NO DISP	Seleccione dónde desea que aparezca el ID o el título de la cámara en pantalla (superior derecha (T.R.), inferior derecha (B.R.), superior izquierda (T.L.), inferior izquierda (B.L.) o que no aparezca (NO DISP).
TITLE		Introduzca un nombre para la cámara con un máximo de 10 caracteres, incluidos espacios.
RETURN		Pulse MENU para volver a la pantalla principal SETUP MENU.

Introducción de un título de cámara

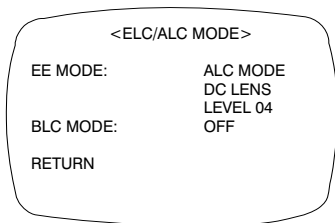
- Vaya al primer carácter de TITLE: utilizando los controles de menú + o - de la parte posterior de la cámara.
- Utilice los controles de menú **UP**, **DOWN**, +, - para seleccionar el primer carácter del título y pulse después la tecla MENU para establecer el carácter.

3. Seleccione la siguiente posición del carácter del título con los controles de menú + o - y repita después los pasos 2 y 3 hasta completar el título de la cámara.
4. Seleccione **RETURN** y pulse **MENU** para aceptar los cambios y volver a la pantalla principal SETUP MENU.

Configuración de la optimización de luz de la cámara

Modo de control de luz ELC / ALC

Figura 11 Configuración de la iluminación de la cámara



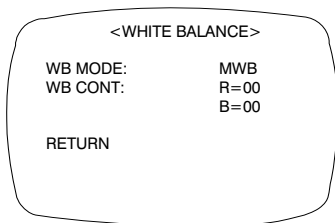
Para configurar el modo de la lente, la compensación de contraluz y la máscara negra:

Elemento de menú	Opción	Descripción
EE MODE: ELC MODE	AUTO MANUA L	Para una lente manual (fija): AUTO: la lente iris utiliza la exposición electrónica automáticamente: MANUAL: ajuste la lente iris cambiando manualmente la alta velocidad del obturador.
EE MODE: ALC MODE	VSD LENS DC LENS	Para una lente autoiris automática: VSD: seleccione esta opción para una lente de tipo vídeo. DC LENS: seleccione esta opción para una lente de tipo control directo. Ajuste el nivel con LEVEL hasta que la imagen deje de estar demasiado oscura o demasiado luminosa.
BLC MODE (Com- pensación de contraluz).	OFF LOW BL MID. BL HIGH BL	Evita que el objeto situado en el centro de la imagen se oscurezca (efecto silueta) cuando hay demasiada luz detrás.
RETURN		Pulse MENU para volver a SETUP MENU.

Configuración del control del balance de blancos

El balance automático de blancos garantiza que la integridad del color se mantiene dentro del rango de colores de 2.800° a 8.000°K:

Figura 12 Control del balance de blancos

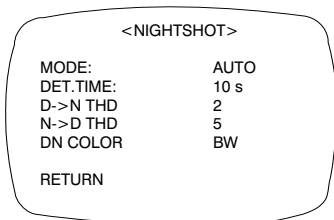


Elemento de menú	Descripción
ATW (Modo de detección automática del balance de blancos)	Sistema de retroalimentación que alinea automáticamente el balance de blancos (de 2.800 a 8.000 K).
AWC (Modo de control automático del balance de blancos)	Tiene una velocidad de funcionamiento más alta que ATW. Normalmente se utiliza en exteriores o en zonas con condiciones de iluminación variables. Las opciones son: AUTO: AWC funciona todo el tiempo MANUAL: PUSH Pulse MENU para iniciar el funcionamiento en modo AWC MANUAL: LOCK Suelte MENU para ajustar el balance de blancos de la escena que va a grabar
INDOOR	Valor predefinido para escenas en interiores en general (3.200 K)
FLUORESCENT	Entornos de oficina con luz fluorescente o de tungsteno. Proporciona el rango dinámico más bajo de todos los valores predefinidos (4.200 K)
USER FIXED	Valor predefinido (4.700 K)
OUTDOOR	Valor predefinido para escenas en exteriores y con un alto grado de contraste, donde la cámara enfoca la parte más oscura (6.300 K).
MWB (Modo manual)	RED: 0 a 20 BLUE: 0 a 20
RETURN	Pulse MENU para volver a SETUP MENU.

Configuración del control de grabación nocturna

El menú Nightshot le permite establecer la reacción de la cámara a los cambios en las condiciones de iluminación, menos luz, y cuándo la cámara cambia entre los modos Night y Day. AGC debe estar **activado** para que se active Nightshot.

Figura 13 Control del balance de blancos

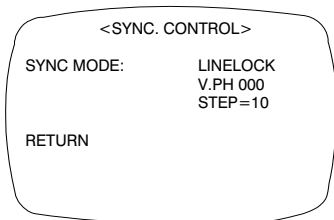


Elemento de menú	Descripción
MODE	AUTO: La cámara suprime o inserta el filtro “de corte” IR mediante la detección automática de la luminancia. ON: el filtro “de corte IR” se suprime (modo Night) OFF: se inserta el filtro “de corte” IR (modo Day)
DET.TIME	Establece el tiempo— 5 a 60 segundos—antes de que la cámara cambie a modo Day o Night tras detectar una situación de poca iluminación. MODE debe establecerse en AUTO .
D->N THD (Umbral)	Determina el nivel de detección de poca iluminación— 1 a 9 —cuando la cámara cambia a modo Night. Cuanto más bajo sea el valor, menos luz tendrá que haber para que la cámara cambie. MODE debe establecerse en AUTO . Nota El valor de D-> THD debe establecerse como mínimo en 2 unidades menos que el de N->D THD.
N->D THD (Umbral)	Determina el nivel de detección de poca iluminación — 1 a 9 —cuando la cámara cambia a modo Day. Cuanto más alto sea el valor, más brillantes tendrán que ser las condiciones de iluminación para que la cámara cambie de modo. MODE debe establecerse en AUTO .
DN COLOR	Establece el modo de color como B/W (monocromo) o COLOR en modo Night. MODE debe establecerse en AUTO u ON .
RETURN	Pulse MENU para volver a SETUP MENU.

Configuración del control de la sincronización

Para sincronizar el impulso de la sincronización del intervalo vertical de la cámara con otros dispositivos a fin de reducir el efecto de líneas horizontales que se desplazan en el monitor.

Figura 14 Configuración del control de la sincronización

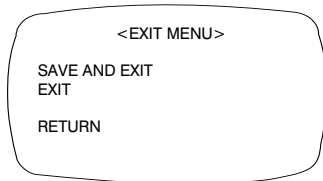


Elemento de menú	Descripción
INTERNAL	Cuando no se requiere la sincronización por fase de red (line lock).
LINELOCK	Ajuste la fase adecuada: V.PH: 000 a 300 (el valor predeterminado es 0) Nota La opción Line lock no está disponible con alimentación de 12 V CC.
AUTO	La cámara detecta automáticamente la sincronización.
RETURN	Pulse MENU para volver a SETUP MENU.

Cierre del menú de configuración

Para cerrar el menú SETUP

Figura 15 Exit Menu



Elemento de menú	Descripción
SAVE AND EXIT	Pulse MENU para guardar los cambios y salir.
EXIT	Pulse MENU para salir sin guardar los cambios.
RETURN	Pulse MENU para volver a SETUP MENU.

Garantía y servicio

Conforme a todos los términos dispuestos en la garantía del producto, durante el período de garantía, Honeywell reparará o sustituirá gratuitamente a su entera discreción, cualquier producto defectuoso que se haya devuelto previo pago del envío. Si surgiera un problema con un producto Honeywell, llame al servicio de atención al cliente al 1.800.796.CCTV (sólo en Norteamérica) para obtener ayuda o para solicitar un **número de autorización de devolución de mercancía (RMA)**. En Europa y Reino Unido, póngase en contacto con su distribuidor Honeywell. Asegúrese de que tiene a mano el número de modelo, número de serie y la naturaleza del problema para el representante del servicio técnico.

Debe disponer de la autorización previa para cualquier devolución, sustitución o reembolso. **Los artículos enviados a Honeywell sin un número de autorización de devolución de mercancía (RMA) claramente indicado pueden ser rechazados.**

Especificaciones

Nota Estas especificaciones se aplican a todos los modelos, a menos que se indique otra cosa.

HCD484L

**HCD484LX
HCD485LX**

Funcionamiento

Sensor de imagen:	CCD Super HAD de tipo 1/3"	
Estándar de vídeo:	NTSC	PAL
Sistema de barrido:	525 líneas, 2:1 entrelazado	625 líneas, 2:1 entrelazado
Número de píxeles (H x V):	768 x 494	752 x 582
Iluminación mínima:	< 0,1 lux @ F1.2 (50 IRE, AGC ON, filtro IR desactivado, B/N)	
Resolución horizontal:	480 TVL	480 TVL

HCD484L**HCD484LX
HCD485LX**

Salida de vídeo:	1 Vp-p @ 75 Ohmios	
Sistema de sincronización:	Interno, por fase de red, automático	
Relación Señal/Ruido:	> 50 dB	
Control automático de ganancia (AGC):	Desactivado, 10 a 38 dB	
ALC:	EE/VSD/DC	
Obturador electrónico automático (AES):	1/60 - 1/100.000 s	1/50 - 1/100.000 s
Montaje de lente:	Montaje C/CS (ajustable)	
Balance de blancos (AWB):	ATW, AWC, Indoor, Outdoor, Fluorescent, User, MWB	
Compensación de contraluz:	Desactivada, baja, media, alta	

Instalación eléctrica

Tensión de entrada	HCD484L, HCD484LX: 12 V CC/24 V CA HCD485LX: 230 V CA	
Rango de tensión de entrada:	HCD484L, HCD484LX: 11-16 V CC/17-28 V CA HCD485LX: 230 V CA ± 10%	
Consumo de energía:	HCD484L, HCD484LX: 3,5 W (máx.) HCD485LX: 4.5 W (máx.)	

Mecánica

Dimensiones: (An x Al x F)	HCD484L, HCD484LX: 68 x 56 x 120 mm (2,68 x 2,2 x 4,72 pulgadas) HCD485LX: 68 x 56 x 140 mm (2,68 x 2,2 x 5,51 pulgadas)	
Peso:	HCD484L, HCD484LX: 0,38 kg (0,84 libras) HCD485LX: 0,41 kg (0,90 libras)	

Temperatura

Temperatura medioambiental:	En funcionamiento: entre -10 y 50°C (entre 14 y 122°F) Almacenamiento: entre -20 y 70°C (entre -4 y 158°F)	
-----------------------------	---	--

Reglamentación

Emisiones:	FCC, CE (EN55013)	
Inmunidad:	CE (EN50130-4)	
Seguridad:	UE: Directiva 73/23/CEE sobre baja tensión	

**Honeywell Video Systems
(Oficina Central)**

2700 Blankenbaker Pkwy, Suite 150
Louisville, KY 40299, EE.UU.

www.honeywellvideo.com

☎ +1.800.796.2288

Honeywell Security Australia Pty Ltd.

Unit 5, Riverside Centre
24-28 River Road West
Parramatta, NSW 2150, Australia

www.ademco.com.au

☎ +61.2.8837.9300

Honeywell Security Asia Pacific

33/F Tower A, City Center, 100 Zun Yi
Road

Shanghai 200051, China

www.security.honeywell.com/cn

☎ +86 21.2527.4568

Honeywell Security Asia

Flat A, 16/F, CDW Building

388 Castle Peak Road

Tsuen Wan, N.T., Hong Kong

www.security.honeywell.com/hk

☎ +852.2405.2323

Honeywell Security France

Parc Gutenberg, 8, Voie La Cardon

91120, Palaiseau, Francia

www.honeywell.com/security/fr

☎ +33.01.64.53.80.40

Honeywell Security Italia SpA

Via Treviso 2 / 4

31020 San Vendemiano

Treviso, Italia

www.honeywell.com/security/it

☎ +39.04.38.36.51

Honeywell Security España

Mijancas 1. 3ª Planta

P.Ind. Las Mercedes

28022 Madrid, España

www.honeywell.com/security/es

☎ +34.902.667.800

Honeywell Video Systems

Northern Europe

Network 121

1446 WV Purmerend, Países Bajos

www.SecurityHouse.nl

☎ +31.299.410.200

Honeywell Video Systems UK Ltd.

Aston Fields Road, Whitehouse Ind Est
Runcorn, Cheshire, WA7 3DL, UK

www.honeywellvideo.com

☎ +0844 8000 235

Honeywell Security South Africa

Unit 6 Galaxy Park, 17 Galaxy Avenue

Linbro Park, P.O. Box 59904

2100 Kengray, Johannesburgo

Sudáfrica

www.honeywell.co.za

☎ +27.11.574.2500

Honeywell Security Deutschland

Johannes-Mauthe-Straße 14

D-72458 Albstadt, Alemania

www.honeywell.com/security/de

☎ +49.74 31.8 01.0

Honeywell Security Poland

Chmielewskiego 22a, 70-028

Szczecin, Polonia

www.ultrak.pl

☎ +48.91.485.40.60

Honeywell Security Czech Republic

Havránkova 33, Brno

Dolní Heršpice, 619 00

República Checa

www.olympo.cz

☎ +420.543.558.111

Honeywell Security Slovakia Republic

Vajnorská 142, 83104 Bratislava

Eslovaquia

www.olympo.sk

☎ +421.2.444.54.660

Honeywell

www.honeywellvideo.com

+1.800.796.CCTV (sólo Norteamérica)

HVSsupport@honeywell.com

Documento G-113079-002 02/07 Rev. 2

© 2007 Honeywell International Inc. Todos los derechos reservados. No se permite la reproducción de este documento, ya sea parcial o total, sin autorización previa por escrito de Honeywell Video Systems. Se estima que la información contenida en esta publicación es precisa en todos los aspectos. Ahora bien, Honeywell Video Systems no se responsabiliza de las consecuencias derivadas del uso de la misma. La información contenida en este documento está sujeta a cambios sin previo aviso. Se contempla la posibilidad de publicar revisiones o nuevas versiones de esta publicación para incorporar dichos cambios.

Download from Www.Somanuals.com. All Manuals Search And Download.

Honeywell

Telecamera L-Series Color Day/Night

NTSC PAL

HCD484L

HCD484LX

HCD485LX

Guida per l'utente

Italiano

Revisioni

Edizione	Data	Revisioni
1.00	10/06	Nuovo documento
2	02/07	Modificato 900.0842 documento numero del pezzo; Avvertimento aggiunto alla pagina iii.

Avvertenze

Le operazioni di installazione e assistenza dovranno essere effettuate solo da personale esperto e qualificato, al fine di rispettare la conformità con tutte le normative locali e mantenere la validità della garanzia.

ATTENZIONE! I modelli a 12 VCC/24 VCA richiedono l'utilizzo di un adattatore di alimentazione di Classe 2 in elenco UL o certificato CSA per la conformità agli standard di sicurezza elettrica.

Dove viene usato come dispositivo di scollegamento una spina della RETE ELETTRICA o un apparecchio accoppiatore, tale dispositivo dovrà rimanere prontamente operativo.

Direttiva WEEE (Waste Electrical and Electronic Equipment, Smaltimento di apparecchiature elettriche ed elettroniche). Corretto smaltimento del prodotto (applicabile nell'Unione Europea e in altri paesi europei con sistemi di raccolta diversificata dei rifiuti).

Lo smaltimento di questo prodotto, al termine della sua vita utile, è soggetto alle leggi, alle normative e alle procedure applicabili localmente.

Spiegazione dei simboli grafici

	ATTENZIONE RISCHIO DI SCOSSA ELETTRICA NON APRIRE			QUESTO SIMBOLO INDICA CHE ALL'INTERNO DELL'UNITÀ È PRESENTE UN LIVELLO DI TENSIONE PERICOLOSA CHE COSTITUISCE RISCHI DI SCOSSA ELETTRICA.
ATTENZIONE: PER RIDURRE IL RISCHIO DI SCOSSA ELETTRICA, NON RIMUOVERE IL COPERCHIO. ALL'INTERNO DELL'UNITÀ NON SONO PRESENTI PARTI LA CUI MANUTENZIONE POSSA ESSERE ESEGUITA DALL'UTENTE. PER ASSISTENZA RIVOLGERSI AL PERSONALE QUALIFICATO.				QUESTO SIMBOLO INDICA CHE L'UNITÀ È ACCOMPAGNATA DA IMPORTANTI ISTRUZIONI OPERATIVE E DI GESTIONE.

Dichiarazione di conformità alle norme FCC

Informazioni per l'utente: questa apparecchiatura è stata sottoposta a test ed è risultata conforme ai limiti previsti per i dispositivi digitali della Classe A. In base alla Parte 15 della normativa FCC, questi limiti sono stati fissati per fornire un'adeguata protezione contro interferenze dannose nelle installazioni commerciali. Questa apparecchiatura genera, utilizza e può emettere radiofrequenze e, se non viene installata e utilizzata in conformità alle istruzioni, può causare interferenze alle comunicazioni radio. Il funzionamento di questa apparecchiatura nelle installazioni residenziali potrebbe provocare interferenze dannose. In tal caso, l'eliminazione delle interferenze è a carico dell'utente.

Attenzione Cambiamenti o modifiche non espressamente approvate dalla parte responsabile per la conformità potrebbero invalidare l'autorizzazione dell'utente all'utilizzo dell'apparecchiatura.

Dichiarazione di conformità del produttore

Il produttore dichiara che l'apparecchiatura fornita con la presente Guida è conforme ai requisiti di protezione essenziali definiti dalla normativa EMC (Electromagnetic Compatibility, Compatibilità elettromagnetica) 89/336/EEC e dalla normativa LVD (Low Voltage Directive, Direttiva Bassa Tensione) 73/23 EEC, in conformità con i requisiti degli standard EN 55013 relativi alle emissioni.

Sommario

Introduzione	1
Caratteristiche	1
Prima di iniziare	2
Aprire la confezione	2
Funzioni della telecamera	3
Installazione	4
Selezione dell'obiettivo	4
Regolazione della messa a fuoco posteriore	5
Montaggio della telecamera	6
Collegamento della telecamera	6
Connessioni telecomando	7
Programmazione	8
Menu OSD (On-Screen Display)	8
Funzioni del menu OSD	9
Salvataggio delle impostazioni	9
Impostazione della telecamera	10
Struttura del menu OSD	10
Aggiunta di un ID telecamera o di un titolo ..	12
Impostazione dell'ottimizzazione illuminazione telecamera	13
Modalità ELC / ALC	13
Impostazione del controllo del bilanciamento del bianco	14
Impostazione del controllo Nightshot	15
Impostazione del controllo Sync	16
Chiusura del menu Setup	16
Garanzia e assistenza	17
Specifiche	17

Introduzione

Le telecamere Honeywell L-Series Day/Night Color offrono elevata qualità delle immagini e risoluzione grazie all'utilizzo di un sensore immagini CCD interline transfer da 1/3 pollice altamente sensibile.

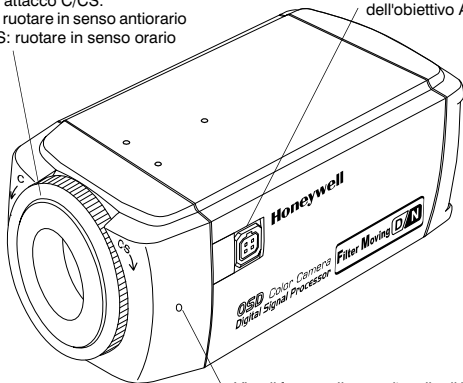
Immagine 1 Panoramica della telecamera

Adattatore attacco C/CS:

Attacco C: ruotare in senso antiorario

Attacco CS: ruotare in senso orario

Connettore per l'attacco dell'obiettivo Auto Iris



Vite di fermo: allentare l'anello di bloccaggio con un cacciavite Phillips per regolare l'anello di montaggio.

Caratteristiche

- CCD Super HAD 1/3"
- Adattatore dell'attacco dell'obiettivo regolabile C/CS
- Eccellente rapporto segnale/disturbo, superiore a 50 dB
- Illuminazione minima pari a 0,1 lux (F1.2, 50 IRE, Filtro IR Off, B/N)
- Compatibile con obiettivo Video Iris (VSD) o Auto Iris Direct Drive (DC)
- Controllo menu OSD
- Riproduzione true color da diverse sorgenti luminose
- Telecomando programmabile con connessione RS485

Prima di iniziare

Prima di procedere al montaggio della telecamera L-Series Day/Night Color, leggere la guida con attenzione.

Conservare la guida per riferimento futuro.

Aprire la confezione

Verificare che la confezione contenga tutti gli articoli elencati nel modulo d'ordine e nella ricevuta. La confezione del modello L-Series Day/Night contiene, oltre a questa Guida per l'utente:

- Una telecamera L-Series Day/Night Color
- Un cavo di connessione a 4 pin
- Un attacco per l'obiettivo Auto Iris

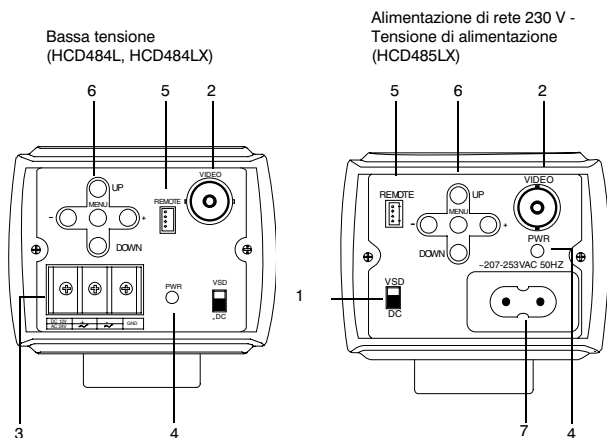
In caso di parti mancanti o danneggiate, contattare il rivenditore o l'Assistenza Clienti Honeywell (vedere la sezione **Contatti** sul retro del manuale).

Nota Per completare l'installazione sarà inoltre necessario un cacciavite Phillips.

Impostazioni della telecamera

Funzioni della telecamera

Immagine 2 Vista posteriore della telecamera



Legenda

Descrizione

- 1 Interruttore di selezione per l'obiettivo Auto Iris, **VSD** per Video o **DC** per Direct Drive
- 2 Connettore per l'uscita Video
- 3 Connettore per l'alimentazione (24 VCA: 3 terminali) - Solo modello a bassa tensione
- 4 Indicatore LED alimentazione
- 5 Connettore RS485 per telecomando
- 6 Controllo menu (vedere "Programmazione" a pagina 8)
- 7 Connettore alimentazione di rete 230 V

Installazione

Selezione dell'obiettivo

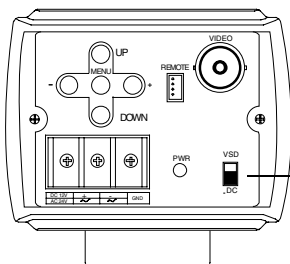
Gli obiettivi Varifocal Auto Iris (Direct Drive o Video Drive) sono collegati alla telecamera tramite una presa quadrata a 4 pin posizionata sul lato della telecamera.

1. Impostare l'interruttore VSD/DC sul retro della telecamera.

Nel caso di obiettivo Video Drive, impostare l'interruttore su **VSD**.

Nel caso di obiettivo Direct Drive, impostare l'interruttore su **DC**.

Modello a bassa tensione
(HCD484L, HCD484LX)



VSD = Obiettivo Auto Iris con amplificatore incorporato (obiettivo tipo video)
DC = Obiettivo Auto Iris senza amplificatore (obiettivo tipo DC)

2. Impostare EE MODE su **ALC MODE** nel menu OSD (vedere **ALC MODE**).

Obiettivo Auto Iris con amplificatore: impostare VSD LENS nel menu OSD.

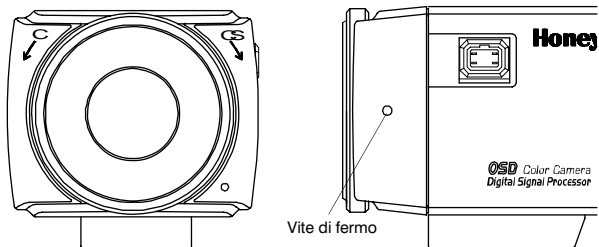
Obiettivo Auto Iris senza amplificatore: impostare DC LENS nel menu OSD. Regolare LEVEL per evitare oscillazioni.

Regolazione della messa a fuoco posteriore

La regolazione della messa a fuoco posteriore si trova sul lato anteriore dell'alloggiamento della telecamera e consente di regolare la distanza focale posteriore o la messa a fuoco dell'immagine.

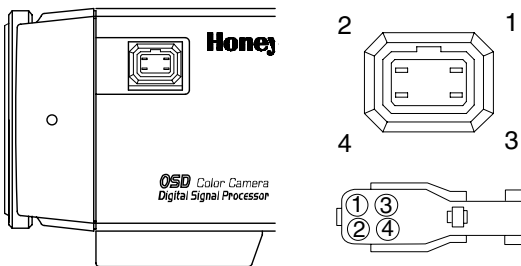
La gamma di regolazione consente di utilizzare attacchi C o CS dell'obiettivo senza la necessità di un anello distanziatore.

Immagine 3 Attacco C/CS



1. Allentare la vite di fermo con un cacciavite Phillips.
2. Regolare l'anello di messa a fuoco per mettere a fuoco l'immagine.
3. Serrare nuovamente la vite di fermo.

Immagine 4 Definizione di pin dell'obiettivo Auto Iris



Pin	Obiettivo DC (Direct Drive)	Obiettivo Video (VSD)
1	CTRL -	Alimentazione (+12 V)
2	CTRL +	NC
3	DRV +	Segnale video
4	DRV -	GND
	Impostare l'interruttore di selezione su DC .	Impostare l'interruttore di selezione su VSD .

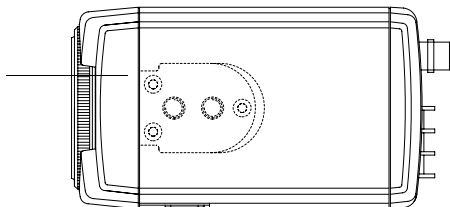
Montaggio della telecamera

I punti di innesto si trovano nella parte superiore della telecamera per il montaggio su staffa o treppiede. Sono adatti a viti di montaggio di dimensioni standard 1/4 x 20. Questa staffa può essere svitata e montata sul lato opposto della telecamera, in base alle esigenze. La staffa di montaggio deve essere in grado di sopportare il peso della telecamera e dell'obiettivo.

Nota Alcuni codici di installazione stabiliscono che la staffa di montaggio deve essere in grado di supportare un peso pari a quattro volte il peso totale di telecamera e obiettivo.

Immagine 5 Montaggio della telecamera

Svitare le tre viti di fissaggio della staffa e montare la staffa sull'altro lato della telecamera.



Collegamento della telecamera

Nota Prima di alimentare la telecamera, verificare che la fonte di alimentazione esterna sia adeguata.

1. Collegare il connettore **VIDEO** sul retro della telecamera al connettore ingresso video del monitor.
2. Collegare la telecamera a un alimentatore adatto per l'installazione.

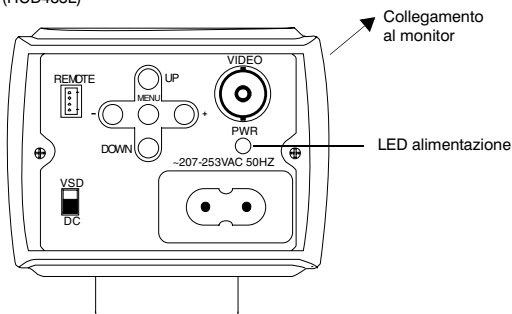
HCD484L, HCD484LX: alimentatore da 12 VCC
o 24 VCA

HCD485LX: alimentatore da 230 V

- Inserire la spina nella presa. Il LED di alimentazione (**PWR**) si accende, segnalando che la telecamera è alimentata. In caso contrario, verificare le connessioni e la fonte di alimentazione.

Immagine 6 Connessioni della telecamera

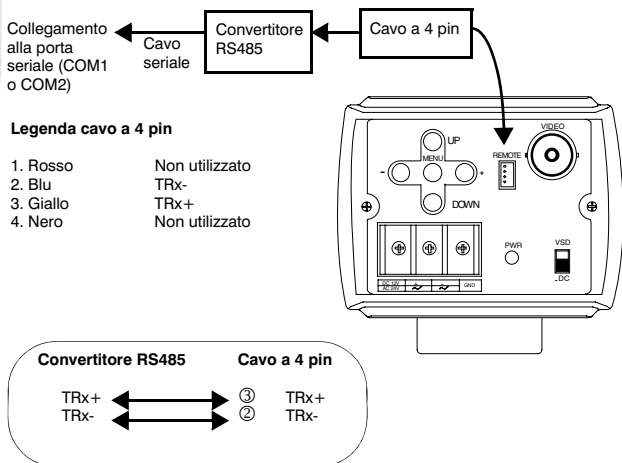
Versione alimentazione di rete (230 V)
(HCD485L)



Connessioni telecomando

La telecamera L-Series Day/Night Color può essere utilizzata con il telecomando, tramite connessione RS485.

Immagine 7 Connessione telecamera tramite RS485



Programmazione

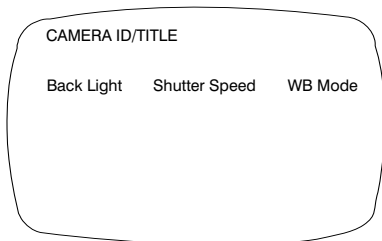
Menu OSD (On-Screen Display)

Premere brevemente **MENU** per confermare l'impostazione dell'operazione corrente. Le informazioni (vedere *Immagine 8*) scompaiono dopo alcuni secondi se non viene premuto nessuno dei pulsanti.

Anche se il messaggio OSD scompare, l'ID telecamera o il titolo rimane visualizzato, se è stato selezionato nel sottomenu CAMERA ID. Per disattivare la visualizzazione dell'ID telecamera o del titolo, eseguire una delle operazioni sottostanti.

- Utilizzando la comunicazione esterna, cambiare la posizione di visualizzazione. Le opzioni disponibili sono:
In basso a destra, in basso a sinistra, in alto a sinistra, in alto a destra, nessuna visualizzazione.
- Se non è necessario visualizzare l'OSD di funzionamento (ad esempio, in presenza di una scheda overlay esterna), impostarlo sempre su OFF utilizzando un telecomando e una connessione RS485.

Immagine 8 Visualizzazione informazioni OSD



Back Light viene visualizzata se è abilitata la compensazione di retroilluminazione (BLC, Backlight Compensation) (vedere *BLC MODE (Backlight Compensation)*).

Shutter Speed viene visualizzata se si modifica la velocità otturatore predefinita.

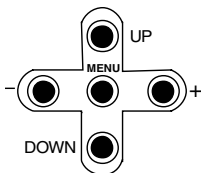
WB Mode viene sempre visualizzata.

Funzioni del menu OSD

Utilizzare i controlli del menu OSD per programmare la telecamera.

1. Premere e tenere premuto il pulsante **MENU** (al centro) per due secondi per visualizzare il menu Setup.
2. Premere il pulsante **UP** o **DOWN** per selezionare una voce di menu.
3. Premere il pulsante **MENU** per accedere al sottomenu selezionato.
4. Premere il pulsante **+** o **-** per aumentare/ridurre il valore dell'elemento selezionato.

Immagine 9 Controlli menu OSD



Salvataggio delle impostazioni

Primo metodo: Al termine delle impostazioni:

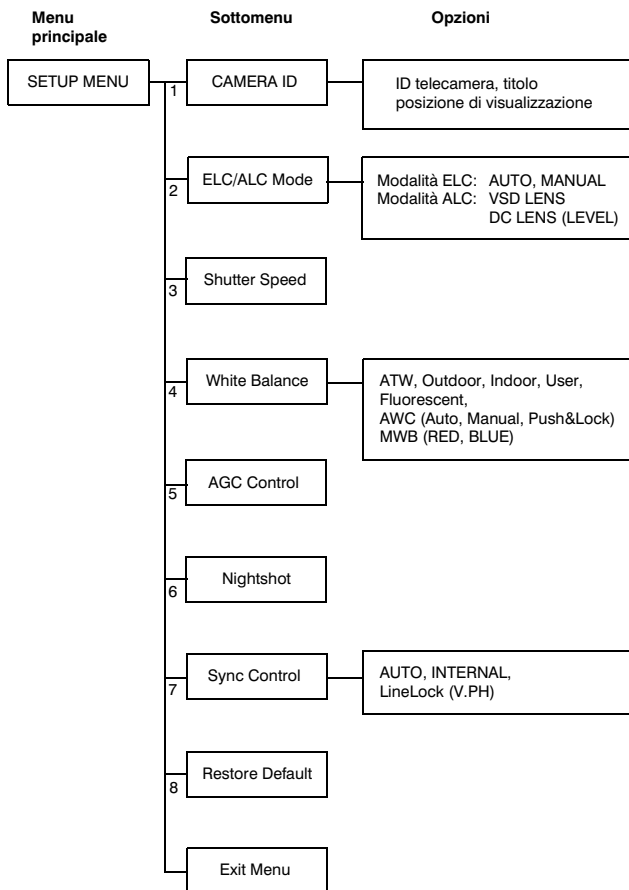
1. Premere **MENU** per due secondi. La schermata **SETUP MENU** viene sostituita da uno dei due messaggi seguenti:
SAVE? viene visualizzato quando i valori sono stati modificati. Se si seleziona **SAVE** si esce dalla modalità Setup e le modifiche apportate vengono salvate.
QUIT? viene visualizzato quando non viene apportata alcuna modifica alle impostazioni. Se si seleziona **QUIT** si esce dalla modalità Setup senza salvare i valori modificati.
2. Premere **+** o **-** per selezionare **SAVE** o **QUIT** e quindi premere **MENU** per uscire dalla modalità Setup. Premere **UP** o **DOWN** per annullare la scelta **SAVE/QUIT** e tornare alla schermata **SETUP MENU**.

Secondo metodo: Selezionare **EXIT MENU** nella schermata **SETUP MENU**, premere **MENU** e quindi scegliere **SAVE AND EXIT** per salvare le impostazioni modificate e uscire dal menu. Selezionare **EXIT** per uscire senza salvare le impostazioni.

Impostazione della telecamera

Struttura del menu OSD

Il sistema di menu della telecamera L-Series Day/Night Color è composto da un menu di impostazione principale per semplificare la programmazione.

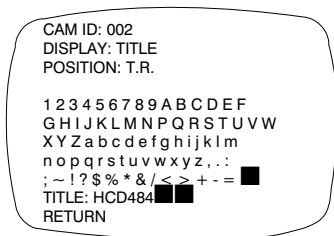


Voce di menu	Opzione	Descrizione
1 CAMERA ID	000 (off), 001 ... 255	0 : disattiva la visualizzazione dell'ID. Per ulteriori informazioni, vedere <i>Impostazione del controllo Sync</i> .
2 ELC/ALC Mode	ELC ... ALC ...	Per ulteriori informazioni, vedere <i>Modalità ELC / ALC</i> .
3 Shutter Speed	1/60 NTSC (1/50 PAL) FL 1/250 1/500 1/1000 1/2000 1/4000 1/10000 1/30000 1/50000	Consente di regolare la luminosità con velocità otturatore elevata. FL : elimina lo sfarfallio in un'immagine. Questo campo non è regolabile quando la telecamera è impostata su ELC MODE . L'impostazione predefinita è Auto .
4 White Balance	ATW (Auto Trace White Balance) AWC (Auto White Balance Control) MWB (Manual White Balance)	Le modalità di bilanciamento del bianco preimpostate includono Outdoor, Indoor, User, Fluorescent. Per ulteriori informazioni, vedere <i>Impostazione del controllo del bilanciamento del bianco</i> .
5 AGC Control	OFF 10 dB 12 dB ... 38 dB	Consente di regolare il valore massimo del guadagno AGC. Quando il controllo AGC è impostato su OFF, la funzione Nightshot non è disponibile.
6 Nightshot		Consente di impostare il funzionamento della telecamera in condizioni di bassa illuminazione.
7 Sync. Control	AUTO INTERNAL LineLock (V.Phase)	Per ulteriori informazioni, vedere <i>Impostazione del controllo Sync</i> .
8 Restore Default		Consente di ripristinare le impostazioni predefinite di fabbrica. Questa impostazione non è disponibile se non è stata apportata alcuna modifica.

Aggiunta di un ID telecamera o di un titolo

L'aggiunta di un ID telecamera è utile quando sono presenti più telecamere collegate in rete. Per aggiungere un ID telecamera o un titolo, accedere alla schermata SETUP MENU, selezionare **CAMERA ID** e premere **MENU**.

Immagine 10 Aggiunta di un ID telecamera o di un titolo



Voce di menu Opzione Descrizione

Voce di menu	Opzione	Descrizione
CAM ID	0	Il numero assegnato a ciascuna
	001 ...	telecamera della rete, da 000 a 255 .
	255	0 : l'ID non viene visualizzato sullo schermo.
DISPLAY	TITLE	Consente di selezionare l'informazione
	ID	visualizzata sullo schermo (TITOLO o ID
	OFF	telecamera oppure nessuna
POSITION	T.R.	Consente di scegliere la posizione in cui
	B.R.	visualizzare l'ID telecamera o il titolo
	B.L.	(in alto a destra, in basso a destra, in alto
	T.L.	a sinistra, in basso a sinistra e nessuna
	NO DISP	visualizzazione).
TITLE		Assegnare un nome alla telecamera. Sono consentiti fino a 10 caratteri, compresi gli spazi.
RETURN		Premere MENU per tornare alla schermata SETUP MENU principale.

Immissione di un titolo telecamera

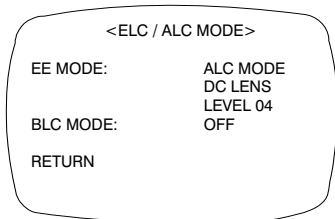
1. Spostarsi nella posizione del primo carattere di TITLE: utilizzando i controlli di menu **+** o **-** che si trovano sul retro della telecamera.
2. Utilizzare i controlli di menu **UP**, **DOWN**, **+**, **-** per selezionare il primo carattere nel titolo, quindi premere il tasto **MENU** per impostare il carattere.

3. Selezionare la posizione successiva del carattere del titolo utilizzando i controlli di menu + o -, quindi ripetere i passi 2 e 3 fino a quando il titolo della telecamera non è stato completato.
4. Selezionare **RETURN** e premere **MENU** per accettare le modifiche e tornare alla schermata SETUP MENU principale.

Impostazione dell'ottimizzazione illuminazione telecamera

Modalità ELC / ALC

Immagine 11 Impostazione illuminazione telecamera



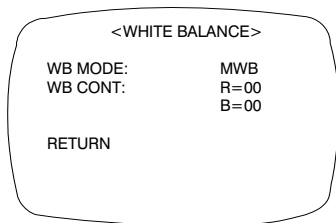
Per impostare la modalità obiettivo, la compensazione di retroilluminazione (BLC, Back Light Compensation) e la Black Mask:

Voce di menu	Opzione	Descrizione
EE MODE: ELC MODE	AUTO MANUAL	Per un obiettivo (fisso) manuale: AUTO : l'obiettivo iris esegue l'esposizione elettronica automatica. MANUAL : consente di regolare l'obiettivo iris modificando manualmente l'alta velocità otturatore.
EE MODE: ALC MODE	VSD LENS DC LENS	Nel caso un obiettivo iris automatico: VSD : selezionare nel caso di obiettivo tipo video. DC LENS : selezionare nel caso di obiettivo tipo direct drive. Regolare LEVEL fino a ottenere un'immagine né troppo chiara né troppo scura.
BLC MODE (Backlight Compensation)	OFF LOW BL MID. BL HIGH BL	Impedisce che l'oggetto al centro dell'immagine appaia troppo scuro (effetto contorno) nel caso di eccessiva illuminazione posteriore.
RETURN		Premere MENU per tornare alla schermata SETUP MENU.

Impostazione del controllo del bilanciamento del bianco

Il bilanciamento del bianco automatico garantisce l'integrità dei colori nell'intervallo da 2800°K a 8000°K:

Immagine 12 Controllo del bilanciamento del bianco

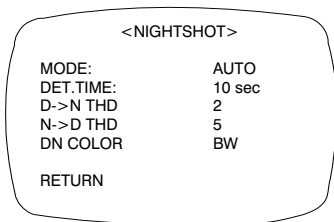


Voce di menu	Descrizione
ATW (Auto Trace White Balance Mode)	Sistema di retroazione che allinea automaticamente il bilanciamento del bianco (da 2800°K a 8000°K).
AWC (Auto White Balance Control Mode)	Eseguita a una velocità di funzionamento superiore ad ATW. Utilizzata in genere per applicazioni in esterni o in presenza di condizioni di luce variabili. Le opzioni disponibili sono: AUTO: AWC sempre attivo MANUAL: PUSH Premere MENU per avviare il funzionamento AWC MANUAL: LOCK Rilasciare MENU per adeguare il bilanciamento del bianco della scena di ripresa corrente.
INDOOR	Preimpostazione generale scene per interni (3200°K).
FLUORESCENT	Ambienti di ufficio con luci fluorescenti o al tungsteno. Offre l'intervallo dinamico più basso di tutte le preimpostazioni (4200°K).
USER FIXED	Preimpostazione (4700°K)
OUTDOOR	Preimpostazione per ambienti esterni e scene ad alto contrasto in cui la telecamera è puntata verso l'area più scura (6300°K).
MWB (Manual Mode)	RED: da 0 a 20 BLUE: da 0 a 20
RETURN	Premere MENU per tornare alla schermata SETUP MENU.

Impostazione del controllo Nightshot

Il menu Nightshot consente di impostare il funzionamento della telecamera in condizioni di bassa illuminazione e di stabilire quando passare alle modalità Night e Day. Per attivare il controllo Nightshot è necessario impostare AGC su **ON**.

Immagine 13 Controllo del bilanciamento del bianco

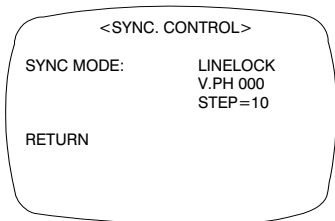


Voce di menu	Descrizione
MODE	AUTO: la telecamera rimuove o inserisce il filtro IR cut attraverso la rilevazione automatica della luminanza. ON: il filtro IR cut viene rimosso (modalità Night) OFF: il filtro IR cut viene inserito (modalità Day)
DET.TIME	Consente di impostare il tempo - da 5 a 60 secondi - che deve trascorrere prima che venga eseguita la commutazione alla modalità Day o Night dopo che è stata rilevata una situazione di bassa luminosità. Impostare MODE su AUTO .
D->N THD (Threshold)	Consente di determinare il livello di rilevazione di bassa illuminazione - da 1 a 9 - in corrispondenza del quale viene eseguita la commutazione alla modalità Night. Più piccolo è il valore, più basse sono le condizioni di illuminazione prima che venga eseguita la commutazione. Impostare MODE su AUTO . Nota Impostare D-> THD su un valore inferiore di almeno 2 unità rispetto all'impostazione N->D THD.
N->D THD (Threshold)	Consente di determinare il livello di rilevazione di bassa illuminazione - da 1 a 9 - in corrispondenza del quale viene eseguita la commutazione alla modalità Day. Più grande è il valore, più alte sono le condizioni di illuminazione prima che venga eseguita la commutazione. Impostare MODE su AUTO .
DN COLOR	Consente di impostare la modalità colore su B/W (monochrome) o COLOR nella modalità Night. Impostare MODE su AUTO o ON .
RETURN	Premere MENU per tornare alla schermata SETUP MENU.

Impostazione del controllo Sync

Consente di sincronizzare l'impulso di sincronismo dell'intervallo verticale della telecamera con un'altra apparecchiatura per ridurre l'effetto di cambiamento dell'immagine (picture roll) sul monitor.

Immagine 14 Impostazione del controllo Sync

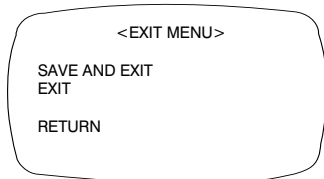


Voce di menu	Descrizione
INTERNAL	Quando non è richiesto l'aggancio in fase.
LINELOCK	Consente di impostare il valore di fase corretto: V.PH: da 000 a 300 (l'impostazione predefinita è 0) Nota L'aggancio in fase non è disponibile con l'alimentazione a 12 VCC.
AUTO	Viene eseguita la rilevazione automatica della sincronizzazione.
RETURN	Premere MENU per tornare alla schermata SETUP MENU.

Chiusura del menu Setup

Per uscire dal menu SETUP, procedere come indicato di seguito.

Immagine 15 Menu Exit



Voce di menu	Descrizione
SAVE AND EXIT	Premere MENU per salvare le modifiche e uscire.
EXIT	Premere MENU per uscire senza salvare le modifiche.
RETURN	Premere MENU per tornare alla schermata SETUP MENU.

Garanzia e assistenza

In base ai termini e alle condizioni elencati nella garanzia del prodotto, durante il periodo di garanzia Honeywell provvederà a sostituire, come unica opzione, gratuitamente, qualsiasi prodotto difettoso restituito prepagato.

Nel caso in cui si verificasse un problema con un prodotto Honeywell, contattare l'Assistenza Clienti al numero 1.800.796.CCTV (solo Nord America) per ottenere supporto o per richiedere un numero **di autorizzazione per la restituzione del prodotto (RMA, Return Merchandise Authorization)**. Per Europa e Regno Unito, contattare il proprio rivenditore Honeywell. Assicurarsi di avere a portata di mano il numero del modello e il numero di serie, e di essere a conoscenza della natura del problema da comunicare al rappresentante del servizio tecnico. Per tutte le restituzioni, i cambi o i crediti è **necessaria** la previa autorizzazione. **Gli articoli inviati a Honeywell senza un numero di autorizzazione per la restituzione del prodotto (RMA, Return Merchandise Authorization) potrebbero essere respinti.**

Specifiche

Nota Queste specifiche si riferiscono a tutti i modelli, se non diversamente specificato.

HCD484L

HCD484LX/CD485LX

Modalità operativa

Sensore immagini:	CCD Super HAD 1/3"	
Standard video:	NTSC	PAL
Sistema di scansione:	525 linee, interlacciamento 2:1	625 linee, interlacciamento 2:1
Numero di pixel (Orizz. x Vert.):	768 x 494	752 x 582
Illuminazione minima:	< 0,1 lux @ F1.2 (50 IRE, AGC ON, Filtro IR Off, B/N)	
Risoluzione orizzontale:	480 TVL	480 TVL
Uscita video:	1 Vp-p a 75 Ohm	
Sistema di sincronizzazione	Automatico/aggancio in fase/interno	

HCD484L**HCD484LX/CD485LX**

Rapporto S/N:	> 50 dB
Controllo del guadagno automatico (AGC, Automatic Gain Control):	Off, da 10 dB a 38 dB
ALC:	EE/VSD/DC
Otturatore elettronico automatico (AES, Automatic Electronic Shutter):	1/60 - 1/100.000 sec 1/50 - 1/100.000 sec
Attacco obiettivo:	Attacco C/CS (regolabile):
Bilanciamento del bianco automatico (AWB, Auto White Balance):	ATW, AWC, Indoor, Outdoor, Fluorescent, User, MWB
BLC:	Off, Low, Middle, High

Specifiche elettriche

Tensione in ingresso:	HCD484L, HCD484LX: 12 VCC/24 VCA HCD485LX: 230 VCA
Intervallo di tensione in ingresso:	HCD484L, HCD484LX: 11-16 VCC/17-28 VCA HCD485LX: 230 VCA ± 10%
Consumo di energia:	HCD484L, HCD484LX: 3.5 W (massimo) HCD485LX: 4.5 W (massimo)

Specifiche meccaniche

Dimensioni: (L x A x P)	HCD484L, HCD484LX: 2,68 x 2,2 x 4,72 poll. (68 x 56 x 120 mm) HCD485LX: 2,68 x 2,2 x 5,51 poll. (68 x 56 x 140 mm)
Peso:	HCD484L, HCD484LX: 0,84 lb (0,380 kg) HCD485LX: 0,90 lb (0,410 kg)

Condizioni ambientali

Temperatura:	Operativa: da 14°F a 122°F (da -10°C a +50°C) Immagazzinaggio: da -4°F a 158°F (da -20°C a +70°C)
--------------	--

Normative

Emissioni:	FCC, CE (EN55013)
Immunità:	CE (EN50130-4)
Sicurezza:	UE: 73/23/EEC LVD

**Honeywell Video Systems
(Sede centrale)**

2700 Blankenbaker Pkwy, Suite 150
Louisville, KY 40299, Stati Uniti
www.honeywellvideo.com
☎ +1.800.796.2288

Honeywell Security Australia Pty Ltd.

Unit 5, Riverside Centre
24-28 River Road West
Parramatta, NSW 2150, Australia
www.ademco.com.au
☎ +61.2.8837.9300

Honeywell Security Asia Pacific

33/F Tower A, City Center, 100 Zun Yi
Road
Shanghai 200051, Cina
www.security.honeywell.com/cn
☎ +86 21.2527.4568

Honeywell Security Asia

Flat A, 16/F, CDW Building
388 Castle Peak Road
Tsuen Wan, N.T., Hong Kong
www.security.honeywell.com/hk
☎ +852.2405.2323

Honeywell Security France

Parc Gutenberg, 8, Voie La Cardon
91120, Palaiseau, Francia
www.honeywell.com/security/fr
☎ +33.01.64.53.80.40

Honeywell Security Italia SpA

Via Treviso 2 / 4
31020 San Vendemiano
Treviso, Italia
www.honeywell.com/security/it
☎ +39.04.38.36.51

Honeywell Security España

Mijancas 1. 3ª Planta
P.Ind. Las Mercedes
28022 Madrid, Spagna
www.honeywell.com/security/es
☎ +34.902.667.800

**Honeywell Video Systems
Northern Europe**

Network 121
1446 WV Purmerend, Paesi Bassi
www.SecurityHouse.nl
☎ +31.299.410.200

Honeywell Video Systems UK Ltd.

Aston Fields Road, Whitehouse Ind Est
Runcorn, Cheshire, WA7 3DL, Regno
Unito
www.honeywellvideo.com
☎ +0844 8000 235

Honeywell Security South Africa

Unit 6 Galaxy Park, 17 Galaxy Avenue
Linbro Park, P.O. Box 59904
2100 Kengray, Johannesburg
Sudafrica
www.honeywell.co.za
☎ +27.11.574.2500

Honeywell Security Deutschland

Johannes-Mauthe-Straße 14
D-72458 Albstadt, Germania
www.honeywell.com/security/de
☎ +49.74 31.8 01.0

Honeywell Security Poland

Chmielewskiego 22a, 70-028
Szczecin, Polonia
www.ultrak.pl
☎ +48.91.485.40.60

Honeywell Security Czech Republic

Havránkova 33, Brno
Dolní Heršpice, 619 00
Repubblica Ceca
www.olympo.cz
☎ +420.543.558.111

Honeywell Security Slovakia Republic

Vajnorská 142, 83104 Bratislava
Slovacchia
www.olympo.sk
☎ +421.2.444.54.660

Honeywell

www.honeywellvideo.com

+1.800.796.CCTV (Solo Nord America)

HVSsupport@honeywell.com

Documento G-113079-002 02/07 Rev 2

© 2007 Honeywell International Inc. Tutti i diritti riservati. È vietata la riproduzione anche parziale e con qualsiasi mezzo della presente pubblicazione senza autorizzazione scritta di Honeywell Video Systems. Le informazioni contenute in questa pubblicazione sono da ritenersi accurate. Tuttavia, Honeywell Video System non si assume la responsabilità per qualsiasi conseguenza derivante dall'utilizzo delle suddette informazioni. Le informazioni contenute nella presente pubblicazione sono soggette a modifiche senza preavviso. È prevista la possibilità di revisioni o nuove edizioni della presente pubblicazione al fine di incorporare tali modifiche.

Download from Www.Somanuals.com. All Manuals Search And Download.

Honeywell

Tages-/Nachtlicht- Farbkamera Serie L

NTSC

PAL

HCD484L

HCD484LX

HCD485LX

Bedienungsanleitung

Deutsch

Dokument G-113079-002 – 02/07 – Version 2

Versionsübersicht

Ausgabe	Datum	Versionsübersicht
1.00	10/06	Neues Dokument
3	01/07	Aktualisierte Dokument Zahl des Teils; Zusätzliche Warnung zu Seite iii.

Vorsichtshinweise



Installations- und Wartungsarbeiten dürfen nur von qualifizierten und erfahrenen Technikern ausgeführt werden. Dabei ist auf die Einhaltung aller am Installationsort geltenden rechtlichen Bestimmungen zu achten. Andernfalls erlischt der Gewährleistungsanspruch.

VORSICHT! Modelle mit 12-VDC- und 24-VAC-Versorgung: Die elektrischen Sicherheitsvorschriften erfordern die Verwendung von Netzgeräten mit Prüfzeichen CSA Certified bzw. UL Listed Class 2.

Dort wo ein Netz- oder der Kaltgerätestecker zur Netztrennung verwendet wird, sollte das Gerät in betriebsbereitem Zustand verbleiben.

WEEE (Waste Electrical and Electronic Equipment, Entsorgung von elektrischen und elektronischen Altgeräten). Umweltgerechte Entsorgung des Geräts (gilt in den Ländern der Europäischen Union und in anderen Ländern mit Mülltrennsystemen). Dieses Gerät ist nach Ablauf der nutzbaren Betriebsdauer entsprechend den vor Ort gültigen Gesetzen, Richtlinien und Verfahren zu entsorgen.

Bedeutung der grafischen Symbole

	ACHTUNG STROMSCHLAG- GEFAHR NICHT ÖFFNEN			DIESES SYMBOL SIGNALISIERT, DASS IM GERÄT GEFÄHRLICHE ELEKTRISCHE SPANNUNGEN ANLIEGEN. ES BESTEHT STROMSCHLAGGEFAHR.
ACHTUNG: ZUM SCHUTZ VOR STROMSCHLAG DARF DIE ABDECKUNG NICHT ABGENOMMEN WERDEN. DAS GERÄT ENTHÄLT KEINE VOM ANWENDER ZU REPARIERENDEN TEILE. WARTUNG UND REPARATUR NUR DURCH FACHPERSONAL.				DIESES SYMBOL SIGNALISIERT, DASS DAS GERÄT MIT WICHTIGEN HINWEISEN ZU BETRIEB UND WARTUNG AUSGELIEFERT WURDE.

FCC-Konformitätserklärung

Informationen für den Anwender: Bei der Prüfung dieses Geräts wurde festgestellt, dass die Grenzwerte für digitale Geräte der Klasse nicht überschritten werden. Gemäß Teil 15 der FCC-Bestimmungen bedeutet die Einhaltung dieser Grenzwerte einen angemessenen Schutz vor schädlicher Störstrahlung bei Betrieb in gewerblichen Umgebungen. Dieses Gerät erzeugt und verwendet Hochfrequenzenergie und kann solche Energie abstrahlen. Wenn das Gerät nicht in Übereinstimmung mit der Gebrauchsanweisung installiert oder betrieben wird, kann die Funksignalübertragung in der Umgebung des Geräts gestört werden. Bei Betrieb des Geräts in Wohnbereichen ist anzunehmen, dass schädliche Störstrahlung erzeugt wird. Diese Störung ist vom Anwender auf eigene Kosten zu beseitigen.

Achtung Änderungen und Modifikationen, die nicht ausdrücklich von der für Konformität zuständigen Instanz genehmigt wurden, können zum Erlöschen der Betriebserlaubnis für das Gerät führen.

Konformitätserklärung des Herstellers

Der Hersteller erklärt, dass das mit dieser Anleitung gelieferte Gerät den einschlägigen Anforderungen der EU-Richtlinie 89/336/EWG sowie der Niederspannungsrichtlinie LVD 73/23 EWG entspricht. Außerdem werden die Anforderungen der Norm EN 55013 in Bezug auf die Funkstöreigenschaften erfüllt.

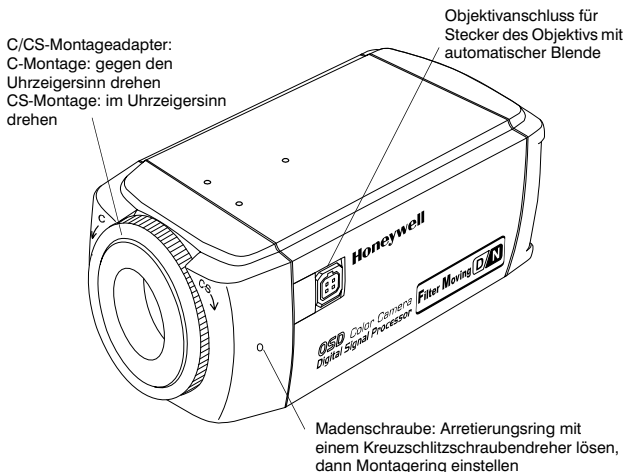
Inhalt

Einführung	1
Merkmale und Funktionen	1
Vorbereitungen	2
Auspacken	2
Funktionen der Kamera	3
Installation	4
Auswählen des Objektivs	4
Einstellen der bildseitigen Schnittweite	5
Montage der Kamera	6
Anschließen der Kamera	6
Fernbedienungsanschlüsse	7
Programmierung	8
On-Screen Display (OSD)	8
OSD-Menüfunktionen	9
Speichern der Einstellungen	9
Einrichten der Kamera	10
OSD-Menüstruktur	10
Festlegen einer Kamerakennung oder Kamerabezeichnung	12
Einstellen der Kamera-Beleuchtungsoptimierung	13
ELC/ALC-Modus	13
Einstellen des Weißabgleichs	14
Einstellen des Nachtaufnahmemodus	15
Einstellen der Synchronisation	16
Verlassen des Einstellungsmenüs	16
Gewährleistung und Kundendienst	17
Technische Daten	17

Einführung

Die Tages- und Nachtlicht-Farbkameras der Serie Honeywell L erreichen mit einem hochempfindlichen 8,5-mm-CCD-Interline-Sensor hohe Bildqualität und Auflösung.

Abbildung 1 Die Kamera im Überblick



Merkmale und Funktionen

- IT Super HAD CCD-Sensor 1/3 Zoll (8,5 mm)
- Einstellbarer C/CS-Objektivmontageadapter
- Exzellenter Signal-Rausch-Abstand von über 50 dB
- Minimale Umgebungshelligkeit 0,1 lux (F 1,2; 50 IRE, IR-Filter aus, S/W)
- Kompatibel zu Objektiv mit Videoblende (VSD) oder direkt angetriebener Blende (DC)
- Steuerung über Bildschirmmenü (OSD)
- Exakte Farbwiedergabe auch unter verschiedenen Beleuchtungsbedingungen
- Fernbedienung mit RS485-Anschluss

Vorbereitungen

Bitte lesen Sie diese Anleitung sorgfältig durch, bevor Sie die Tages-/Nachtlicht-Farbkamera der Serie L installieren.

Bewahren Sie die Anleitung auf.

Auspacken

Kontrollieren Sie, ob der tatsächliche Lieferumfang mit den Angaben auf dem Auftragsformular und dem Packzettel übereinstimmt. Zusätzlich zu dieser Bedienungsanleitung sollte die Produktverpackung der Tages-/Nachtlicht-Farbkamera die folgenden Teile enthalten:

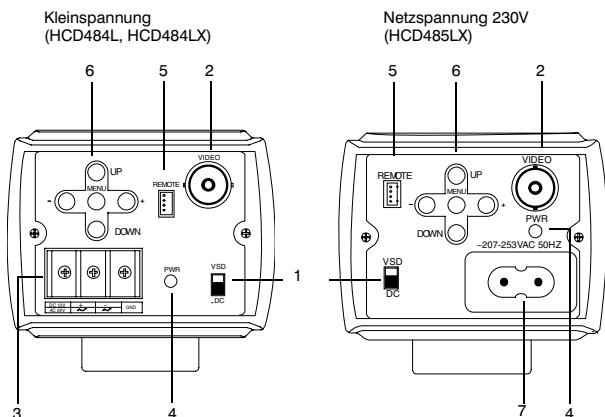
- 1 Tages-/Nachtlicht-Farbkamera der Serie L
- 1 Anschlusskabel (vierpolig)
- 1 Stecker für Objektiv mit automatischer Blende

Wenn Teile fehlen sollten, wenden Sie sich an den Händler, bei dem Sie die Kamera erworben haben, oder an den Honeywell Kundenservice (siehe **Kontakt** auf der Rückseite dieser Anleitung).

Hinweis Für die Installation benötigen Sie außerdem einen Kreuzschlitzschraubendreher.

Funktionen der Kamera

Abbildung 2 Rückansicht der Kamera



Legende

Nr. Beschreibung

- 1 Auswahlwähler für Objektiv mit automatischer Blende (**VSD** für Video und **DC** für Direktantrieb)
- 2 Video-Ausgangsanschluss
- 3 Stromversorgungseingang (24 VAC, 3 Anschlüsse), nur bei Ausführung mit Kleinspannungsversorgung
- 4 Betriebsanzeige-LED
- 5 RS485-Anschluss für Fernbedienung
- 6 Menüsteuerung (siehe „Programmierung“ auf Seite 8)
- 7 Netzkabelbuchse 230 V

Installation

Auswählen des Objektivs

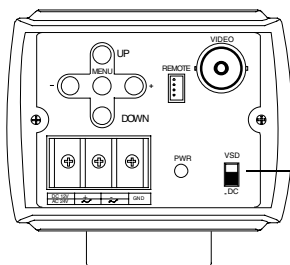
Objektive mit einstellbarer Brennweite und automatischer Blende (Direktantrieb oder Videoantrieb) werden an die 4-polige Würfelmultiplexer an der Seite der Kamera angeschlossen.

1. Stellen Sie den Schalter VSD/DC an der Rückseite der Kamera ein.

Objektiv mit Videoantrieb: **VSD**.

Objektiv mit Direktantrieb: **DC**.

Abgebildet ist ein Modell mit Kleinspannungsversorgung (HCD484L, HCD484LX)



2. Stellen Sie die Option EE MODE im OSD-Menü auf **ALC MODE** (siehe **ALC MODE**).

Objektiv mit automatischer Blende und Verstärker:
Wählen Sie im OSD-Menü die Option VSD LENS.

Objektiv mit automatischer Blende ohne Verstärker:
Wählen Sie im OSD-Menü die Option DC LENS.

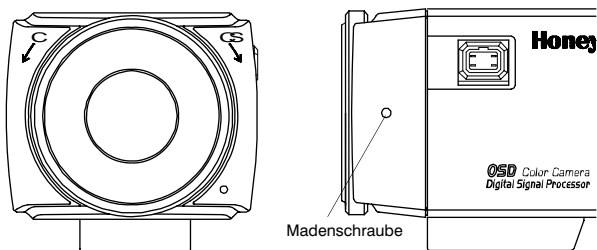
Stellen Sie den Wert von LEVEL vorsichtig ein, damit keine Phasenverschiebung auftritt.

Einstellen der bildseitigen Schnittweite

Die Einstellung der bildseitigen Schnittweite erfolgt an der Vorderseite der Kamera. Damit kann die Bildschärfe korrigiert werden.

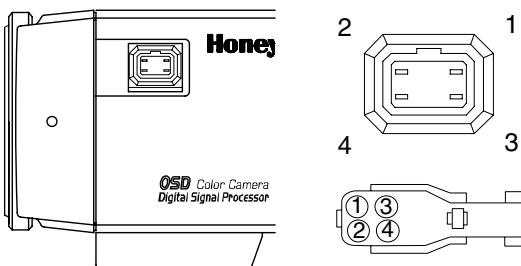
Der Einstellbereich ermöglicht die Verwendung von Objektiven mit C- und CS-Montage ohne Distanzring.

Abbildung 3 C/CS-Montage



1. Lösen Sie die Madenschraube mit einem Kreuzschlitzschraubendreher.
2. Stellen Sie das Bild mit dem Einstellring scharf.
3. Ziehen Sie die Schraube wieder an.

Abbildung 4 Anschlussbelegung für Objektiv mit automatischer Blende



Pin	Objektiv mit Direktantrieb (DC)	Objektiv mit Videoantrieb (VSD)
1	CTRL -	Stromversorgung (+12 V)
2	CTRL +	nicht belegt
3	DRV +	Videosignal
4	DRV -	Masse

Stellen Sie den Schalter auf **DC**. Stellen Sie den Schalter auf **VSD**.

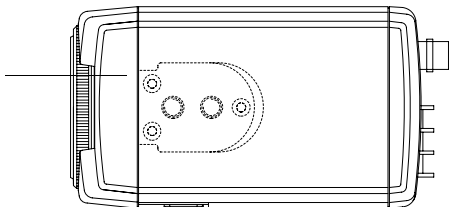
Montage der Kamera

An der Oberseite der Kamera sind Montagepunkte vorgesehen, so dass die Kamera an einer Halterung oder auf einem Stativ befestigt werden kann. Die Bohrungen sind für handelsübliche Schrauben der Größe 1/4 x 20 vorgesehen. Je nach Anwendung kann diese Halterung abgeschraubt und an der gegenüberliegenden Seite der Kamera angebracht werden. Die Montagehalterung muss das Gewicht der Kamera und des Objektivs tragen können.

Hinweis Einige Sicherheitsvorschriften besagen, dass die Montagehalterung sogar für das vierfache Gesamtgewicht von Kamera und Objektiv ausgelegt sein muss.

Abbildung 5 Montage der Kamera

Lösen Sie die drei Schrauben der Halterung, und bringen Sie die Halterung an der anderen Seite der Kamera an.



Anschließen der Kamera

Hinweis Prüfen Sie die Spannung der externen Stromversorgung, bevor Sie die Kamera anschließen.

1. Verbinden Sie den Anschluss **VIDEO** an der Rückseite der Kamera mit dem Video-Eingangsanschluss des Monitors.
2. Schließen Sie die Kamera an die passende Stromversorgung an.

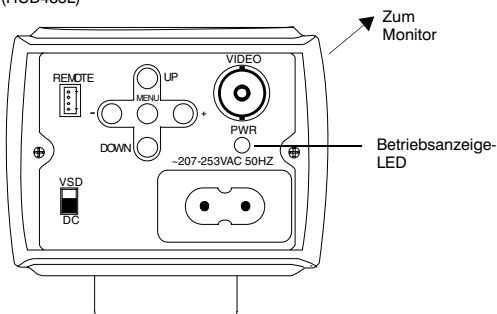
HCD484L, HCD484LX: 12 VDC oder 24 VAC

HCD485LX: 230 V

3. Verbinden Sie das Netzteil mit dem Stromnetz. Die Betriebsanzeige-LED (**PWR**) leuchtet und signalisiert damit, dass die Kamera Stromversorgung erhält. Wenn diese LED nicht leuchtet, überprüfen Sie alle Verbindungen und die Stromversorgung.

Abbildung 6 Anschlüsse an der Kamera

Abgebildet ist die Netzspannungsversion (230 V)
(HCD485L)

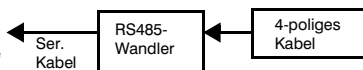


Fernbedienungsanschlüsse

Die Tages-/Nachtlicht-Farbkamera der Serie L kann über einen RS485-Anschluss ferngesteuert werden.

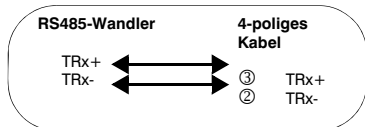
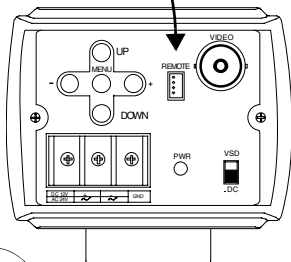
Abbildung 7 RS485-Anschluss

Verbindung zur seriellen Schnittstelle (COM1 oder COM2)



Anschlussbelegung des 4-poligen Kabels

- | | |
|------------|--------------|
| 1. Rot | nicht belegt |
| 2. Blau | TRx- |
| 3. Gelb | TRx+ |
| 4. Schwarz | nicht belegt |



Programmierung

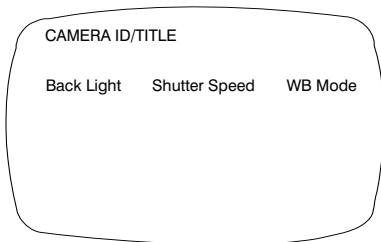
On-Screen Display (OSD)

Drücken Sie kurz die Taste **MENU**, um die aktuelle Einstellung abzurufen. Die Informationen (siehe *Abbildung 8*) werden nach einigen Sekunden wieder ausgeblendet, sofern keine Tastenbetätigung erfolgt.

Selbst wenn die OSD-Meldung nicht mehr zu sehen ist, werden die Kamerakennung oder die Kamerabezeichnung weiterhin angezeigt, wenn dies im Untermenü CAMERA ID festgelegt wurde. So schalten Sie die Anzeige der Kamerakennung bzw. der Kamerabezeichnung aus:

- Ändern Sie mit externer Kommunikation die Anzeigeposition. Verfügbare Optionen:
unten rechts, unten links, oben links, oben rechts, keine Anzeige.
- Wenn Sie die Anzeige des OSDs nicht benötigen (beispielsweise für ein externes Text-Overlay-System), deaktivieren Sie die Anzeige über eine RS485-Verbindung mithilfe der Fernbedienungsfunktion vollständig.

Abbildung 8 OSD-Anzeige



Back Light (Gegenlicht) wird angezeigt, wenn BLC aktiviert ist (siehe *BLC MODE (Backlight Compensation, Gegenlicht-kompensation)*).

Shutter Speed (Belichtungszeit) wird angezeigt, wenn die voreingestellte Belichtungszeit verändert wird.

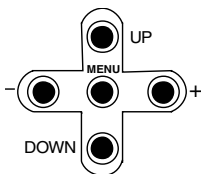
WB Mode (Weißabgleich-Modus) wird immer angezeigt.

OSD-Menüfunktionen

Mit den Funktionen des OSD-Menüs programmieren Sie die Kamera.

1. Halten Sie die Taste **MENU** (in der Mitte) zwei Sekunden lang gedrückt, um das Einstellungsmenü zu öffnen.
2. Wählen Sie mit den Tasten **UP** und **DOWN** eine Menüoption aus.
3. Drücken Sie die Taste **MENU**, um das gewählte Untermenü zu öffnen.
4. Erhöhen oder verringern Sie mit den Tasten **+** und **-** den Wert der ausgewählten Option.

Abbildung 9 Steuerelemente für das OSD-Menü



Speichern der Einstellungen

Erste Methode: Wenn Sie eine Einstellung übernehmen möchten:

1. Drücken Sie zwei Sekunden lang die Taste **MENU**. Das **SETUP MENU** wird durch eine der folgenden Meldungen ersetzt:

Wenn Werte verändert wurden, wird **SAVE?** angezeigt. Wenn Sie **SAVE** auswählen, wird der Einstellungsmodus verlassen, und Ihre Einstellungen werden gespeichert.

Wenn keine Werte verändert wurden, wird **QUIT?** angezeigt. Wenn Sie **QUIT** auswählen, wird der Einstellungsmodus verlassen, ohne dass Änderungen gespeichert werden.

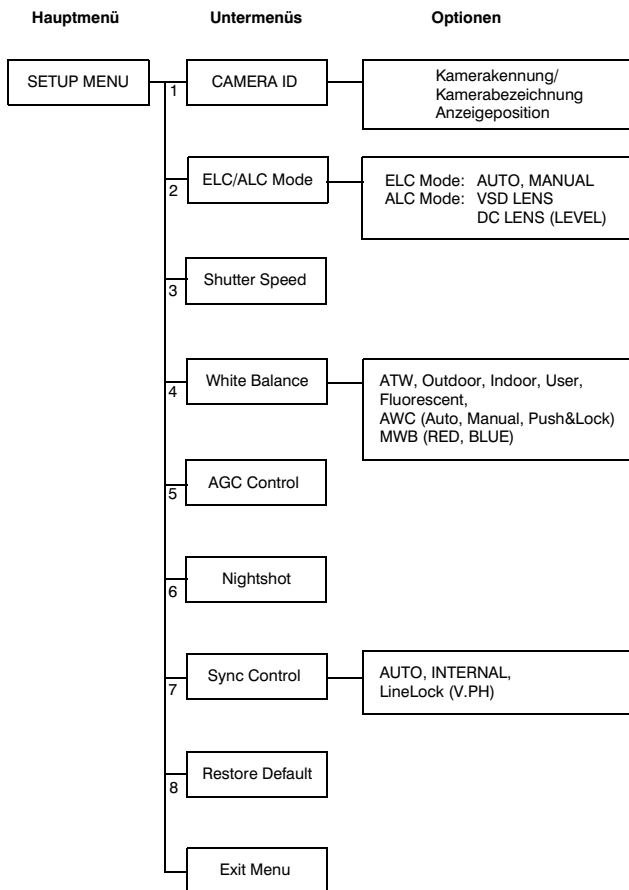
2. Drücken Sie **+** oder **-**, um **SAVE** oder **QUIT** auszuwählen, und drücken Sie **MENU**, um den Einstellungsmodus zu verlassen. Drücken Sie **UP** oder **DOWN**, um die Abfrage **SAVE/QUIT** zu verlassen und zum **SETUP MENU** zurückzukehren.

Zweite Methode: Wählen Sie im **SETUP MENU** die Option **EXIT MENU**, drücken Sie **MENU**, und wählen Sie **SAVE AND EXIT**, um die geänderten Einstellungen zu speichern und das Menü zu verlassen. Wählen Sie **EXIT**, wenn Sie das Menü verlassen möchten, ohne die Einstellungen zu speichern.

Einrichten der Kamera

OSD-Menüstruktur

Das Menüsystem der Tages-/Nachtlicht-Farbkamera besteht aus einem Hauptmenü für die einfache Programmierung.

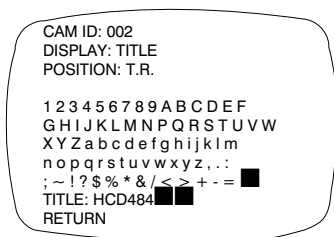


Menüoption	Option	Beschreibung
1 CAMERA ID	000 (aus), 001 ... 255	0 : Kamerakennung wird ausgeblendet. Siehe <i>Einstellen der Synchronisation</i> .
2 ELC/ALC Mode	ELC ... ALC ...	Siehe <i>ELC/ALC-Modus</i> .
3 Shutter Speed	1/60 NTSC (1/50 PAL) FL 1/250 1/500 1/1000 1/2000 1/4000 1/10000 1/30000 1/50000	Mit hoher Belichtungszeit lässt sich die Helligkeit anpassen. FL : Bildflimmern wird unterdrückt. Im Modus ELC MODE kann dieses Feld nicht verändert werden. Standardeinstellung ist Auto .
4 White Balance	ATW (Auto Trace White Balance, automatische Weißabgleich-Nachführung) AWC (Auto White Balance Control, automatischer Weißabgleich mit Voreinstellung) MWB (Manual White Balance, manueller Weißabgleich)	Zu den voreingestellten Weißabgleichmodi gehören Outdoor, Indoor, User, Fluorescent. Siehe <i>Einstellen des Weißabgleichs</i> .
5 AGC Control	OFF 10 dB 12 dB ... 38 dB	Stellen Sie für die dynamische Verstärkungsregelung den maximalen Wert ein. Wenn AGC auf OFF gestellt ist, steht der Nachtmodus (Nightshot) nicht zur Verfügung.
6 Nightshot		Mit dieser Einstellung legen Sie fest, wie die Kamera auf schwache Beleuchtung reagiert.
7 Sync. Control	AUTO INTERNAL LineLock (V.Phase)	Siehe <i>Einstellen der Synchronisation</i> .
8 Restore Default		Die werkseitigen Standardeinstellungen werden wiederhergestellt. Wenn Sie keine Änderungen vorgenommen haben, können Sie diese Einstellung nicht auswählen.

Festlegen einer Kamerakennung oder Kamerabezeichnung

Wenn mehrere Kameras in einem Netzwerk verbunden sind, kann die Vergabe einer Kamerakennung sinnvoll sein. Wenn Sie eine Kamerakennung oder -bezeichnung festlegen möchten, öffnen Sie das SETUP MENU, wählen **CAMERA ID** und drücken **MENU**.

Abbildung 10 Festlegen einer Kamerakennung oder Kamerabezeichnung



Menüoption	Option	Beschreibung
CAM ID	0 001 ... 255	Diese Nummer wird fortlaufend an die Kameras im Netz vergeben (000 bis 255). 0 : Die Kennung wird auf dem Bildschirm nicht angezeigt.
DISPLAY	TITLE ID OFF	Wählen Sie, was auf dem Bildschirm angezeigt werden soll (TITLE , ID oder nichts).
POSITION	T.R. B.R. B.L. T.L. NO DISP	Wählen Sie aus, wo die Kamerakennung oder -bezeichnung angezeigt werden soll: Top Right (Oben rechts), Bottom Right (Unten rechts), Top Left (Oben links), Bottom Left (Unten links) oder No Display (Keine Anzeige).
TITLE		Geben Sie eine Bezeichnung für die Kamera ein. Maximal 10 Zeichen (einschließlich Leerzeichen) sind möglich.
RETURN		Drücken Sie die Taste MENU , um zum SETUP MENU zurückzukehren.

Eingeben einer Kamerabezeichnung

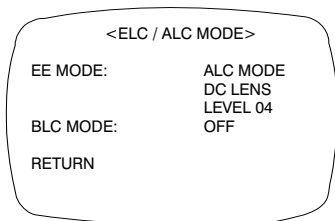
1. Steuern Sie mit den Tasten **+** und **-** auf der Rückseite der Kamera das erste Zeichen im Feld **TITLE** an.
2. Drücken Sie **UP**, **DOWN**, **+**, **-**, um das erste Zeichen des Titels auszuwählen. Drücken Sie dann die Taste **MENU**, um dieses Zeichen zu übernehmen.

3. Wählen Sie mit + oder – die nächste Zeichenposition. Wiederholen Sie dann Schritt 2 und 3, bis die Kamerabezeichnung vollständig ist.
4. Wählen Sie **RETURN**, und drücken Sie **MENU**, um die Änderungen zu bestätigen und zum SETUP MENU zurückzukehren.

Einstellen der Kamera- Beleuchtungsoptimierung

ELC/ALC-Modus

Abbildung 11 Einstellen der Beleuchtungsoptimierung



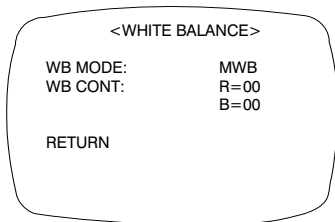
So stellen Sie den Objektivmodus, die Gegenlichtkompensation und die Schwarzmaske ein:

Menüoption	Option	Beschreibung
EE MODE: ELC MODE	AUTO MANUAL	Für manuelle (feste) Objektive: AUTO : Die Blende steuert die Belichtung automatisch. MANUAL : Stellen Sie die Blende ein, indem Sie die Belichtungszeit manuell verändern.
EE MODE: ALC MODE	VSD LENS DC LENS	Objektiv mit automatischer Blende: VSD : Wählen Sie diese Option für Objektive mit Videoantrieb. DC LENS : Wählen Sie diese Option für Objektive mit Direktantrieb. Stellen Sie den Wert LEVEL so ein, dass das Bild nicht zu hell und nicht zu dunkel ist.
BLC MODE (Backlight Compensation, Gegenlicht- kompensation)	OFF LOW BL MID. BL HIGH BL	Diese Einstellung verhindert, dass Objekte in Bildmitte zu dunkel werden (Silhouetten-Effekt), wenn der Hintergrund sehr hell ist.
RETURN		Drücken Sie die Taste MENU , um zum SETUP MENU zurückzukehren.

Einstellen des Weißabgleichs

Der automatische Weißabgleich sorgt für möglichst originalgetreue Farbwiedergabe im Bereich von 2800 °K bis 8000 °K:

Abbildung 12 Weißabgleich-Einstellung

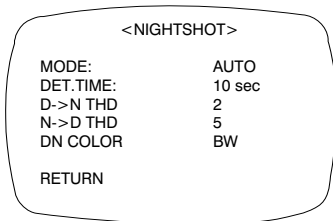


Menüoption	Beschreibung
ATW (Auto Trace White Balance Mode, automatische Weißabgleich-Nachführung)	Ein Regelkreis passt automatisch den Weißabgleich an (2800 °K bis 8000 °K).
AWC (Auto White Balance Control, automatischer Weißabgleich mit Voreinstellung)	Schnellere Variante als ATW. Dieser Modus wird vorzugsweise im Außenbereich oder in Umgebungen mit schwankenden Lichtverhältnissen eingesetzt. Verfügbare Optionen: AUTO: AWC ist immer aktiv MANUAL: PUSH Drücken Sie MENU , um AWC zu aktivieren MANUAL: LOCK Lassen Sie die Taste MENU los, um den Weißabgleich an die aktuellen Verhältnisse anzupassen.
INDOOR	Universelle Voreinstellung für Innenräume (3200 °K)
FLUORESCENT	Für Büroumgebungen mit Leuchtstoff- oder Glühlampenlicht. Geringster Dynamikbereich aller Voreinstellungen (4200 °K).
USER FIXED	Voreinstellung (4700 °K)
OUTDOOR	Voreinstellung für Außenbereiche und für Orte mit starken Kontrasten, während die Kamera auf die dunkleren Bereiche fokussiert ist (6300 °K).
MWB (manuell)	RED: 0 bis 20 BLUE: 0 bis 20
RETURN	Drücken Sie die Taste MENU , um zum SETUP MENU zurückzukehren.

Einstellen des Nachtaufnahmemodus

Im Menü NIGHTSHOT legen Sie fest, wie die Kamera auf schlechte Lichtverhältnisse reagiert und wann zwischen Tag- und Nachtmodus umgeschaltet wird. Der Nachtmodus ist nur dann verfügbar, wenn AGC auf **ON** gestellt ist.

Abbildung 13 Weißabgleich-Einstellung



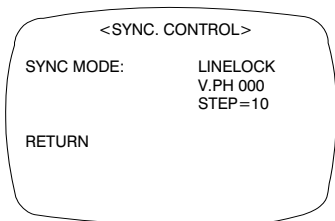
Menüoption Beschreibung

MODE	AUTO: Die Kamera ermittelt automatisch die Luminanz und aktiviert oder deaktiviert entsprechend den IR-Filter. ON: Der IR-Filter wird entfernt (Nachtmodus). OFF: Der IR-Filter wird aktiviert (Tagmodus).
DET.TIME	Dieses Zeitintervall von 5 bis 60 Sekunden bestimmt, wie lange es dauert, bis die Kamera nach Erkennung von schlechten Lichtverhältnissen vom Tagmodus in den Nachtmodus wechselt. MODE muss auf AUTO gestellt sein.
D->N THD (Threshold, Schwellenwert)	Schwellenwert zur Klassifizierung von schwacher Umgebungshelligkeit (1 bis 9) für den Wechsel in den Nachtmodus. Je niedriger der Wert, desto schwächer ist das Licht, bei dem die Kamera umschaltet. MODE muss auf AUTO gestellt sein. Hinweis D-> THD muss um mindestens 2 kleiner sein als die Einstellung N->D THD.
N->D THD (Threshold, Schwellenwert)	Schwellenwert zur Klassifizierung von schwacher Umgebungshelligkeit (1 bis 9) für den Wechsel in den Tagmodus. Je höher der Wert, desto heller ist das Licht, bei dem die Kamera umschaltet. MODE muss auf AUTO gestellt sein.
DN COLOR	Der Farbmodus für den Kamerabetrieb im Nachtmodus: B/W (Schwarzweiß) oder COLOR. MODE muss auf AUTO oder ON gestellt sein.
RETURN	Drücken Sie die Taste MENU , um zum SETUP MENU zurückzukehren.

Einstellen der Synchronisation

Mit dieser Option synchronisieren Sie das vertikale Synchronisierungssignal mit anderen Geräten, so dass ein Bildlaufeffekt auf dem Monitor vermieden wird.

Abbildung 14 Einstellen der Synchronisation

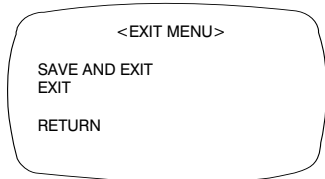


Menüoption	Beschreibung
INTERNAL	Geeignet, wenn keine Synchronisierung mit Netzfrequenz erforderlich ist.
LINELOCK	Stellen Sie die Phase ein: V.PH: 000 bis 300 (Werkseinstellung ist 0) Hinweis Die Synchronisierung mit der Netzfrequenz steht bei 12-VDC-Stromversorgung nicht zur Verfügung.
AUTO	Die Kamera erkennt die Synchronisierung automatisch.
RETURN	Drücken Sie die Taste MENU , um zum SETUP MENU zurückzukehren.

Verlassen des Einstellungsmenüs

So verlassen Sie das Menü SETUP:

Abbildung 15 Menü verlassen



Menüoption	Beschreibung
SAVE AND EXIT	Drücken Sie die Taste MENU , um Ihre Änderungen zu speichern und das Menü zu verlassen.
EXIT	Drücken Sie die Taste MENU , wenn Sie das Menü verlassen möchten, ohne die Änderungen zu speichern.
RETURN	Drücken Sie die Taste MENU , um zum SETUP MENU zurückzukehren.

Gewährleistung und Kundendienst

Gemäß den Bedingungen der Gewährleistungserklärung zu diesem Gerät übernimmt Honeywell während des Gewährleistungszeitraums nach eigenem Ermessen den kostenlosen Austausch oder die kostenlose Reparatur defekter Geräte, die mit vorausbezahlten Frachtkosten an Honeywell zurückgesendet werden.

Wenn in Verbindung mit einem Honeywell gerät ein Problem auftritt, wenden Sie sich bitte an den Kundenservice (in Nordamerika: 1.800.796.CCTV) und lassen sich einen Rücksendecode zuteilen (**Return Merchandise Authorization (RMA)**). Informationen zur Gewährleistung in Europa erhalten Sie bei einem Honeywell Vertriebspartner.

Halten Sie bitte die Modellnummer, die Seriennummer und eine Beschreibung des Problems bereit.

Rücksendungen, Ersatzlieferungen und Gutschriften müssen **vorher** autorisiert werden. **Sendungen an Honeywell, die ohne Rücksendecode (Return Merchandise Authorization) eintreffen, müssen von Honeywell nicht angenommen werden.**

Technische Daten

Hinweis Sofern nichts anderes vermerkt ist, gelten diese Daten für alle Modelle.

HCD484L

HCD484LX HCD485LX

Betrieb

Bildsensor:	Super-HAD-CCD-Sensor 1/3 Zoll (8,5 mm)	
Bildnorm:	NTSC	PAL
Bilderfassung:	525 Zeilen, Zeilensprungfaktor 2:1	625 Zeilen, Zeilensprungfaktor 2:1
Anzahl Pixel (H x V):	768 x 494	752 x 582
Minimale Umgebungs- helligkeit:	< 0,1 lux bei F 1,2 (50 IRE, AGC ein, IR-Filter aus, S/W)	

HCD484L**HCD484LX
HCD485LX**

Horizontale Auflösung:	480 TVL	480 TVL
Videoausgang:	1 Vss an 75 Ohm	
Synchronisation:	Intern/Netzfrequenz/Automatisch	
Signal-Rausch-Abstand:	> 50 dB	
Dynamische Verstärkungsregelung (Auto Gain Control, AGC):	Aus, 10 dB bis 38 dB	
ALC:	EE/VSD/DC	
Automatische elektronische Blende (Automatic Electronic Shutter, AES):	1/60 bis 1/100.000 s	1/50 bis 1/100.000 s
Objektivmontage:	C/CS-Montage (einstellbar)	
Weißabgleich:	ATW, AWC, Indoor, Outdoor, Fluorescent, User, MWB	
BLC (Gegenlichtkompensation):	Off, Low, Middle, High	

Elektrische Kenndaten

Eingangsspannung:	HCD484L, HCD484LX: 12 VDC/24 VAC HCD485LX: 230 VAC	
Eingangsspannungsbereich:	HCD484L, HCD484LX: 11 bis 16 VDC/17 bis 28 VAC HCD485LX: 230 VAC ± 10 %	
Leistungsaufnahme:	HCD484L, HCD484LX: 3.5 W (max) HCD485LX: 4.5 W (max)	

Mechanische Daten

Maße: (B x H x T)	HCD484L, HCD484LX: 68 x 56 x 120 mm HCD485LX: 68 x 56 x 140 mm	
Gewicht:	HCD484L, HCD484LX: 0,380 kg HCD485LX: 410 g	

Umgebungsbedingungen

Temperatur:	Betrieb: -10 °C bis +50 °C Lagerung: -20 °C bis +70 °C	
-------------	---	--

Normen

Emissionen:	FCC, CE (EN55013)	
Störfestigkeit:	CE (EN50130-4)	
Sicherheit:	EU: 73/23/EWG LVD	

**Honeywell Video Systems
(Hauptniederlassung)**

2700 Blankenbaker Pkwy, Suite 150
Louisville, KY 40299, USA
www.honeywellvideo.com
☎ +1.800.796.2288

Honeywell Security Australia Pty Ltd.

Unit 5, Riverside Centre
24-28 River Road West
Parramatta, NSW 2150, Australien
www.ademco.com.au
☎ +61.2.8837.9300

Honeywell Security Asia Pacific

33/F Tower A, City Center, 100 Zun Yi
Road
Shanghai 200051, China
www.security.honeywell.com/cn
☎ +86 21.2527.4568

Honeywell Security Asia

Flat A, 16/F, CDW Building
388 Castle Peak Road
Tsuen Wan, N.T., Hongkong
www.security.honeywell.com/hk
☎ +852.2405.2323

Honeywell Security France

Parc Gutenberg, 8, Voie La Cardon
91120, Palaiseau, Frankreich
www.honeywell.com/security/fr
☎ +33.01.64.53.80.40

Honeywell Security Italia SpA

Via Treviso 2 / 4
31020 San Vendemiano
Treviso, Italien
www.honeywell.com/security/it
☎ +39.04.38.36.51

Honeywell Security España

Mijancas 1. 3^a Planta
P.Ind. Las Mercedes
28022 Madrid, Spanien
www.honeywell.com/security/es
☎ +34.902.667.800

**Honeywell Video Systems
Nordeuropa**

Network 121
1446 WV Purmerend, Niederlande
www.SecurityHouse.nl
☎ +31.299.410.200

Honeywell Video Systems UK Ltd.

Aston Fields Road, Whitehouse Ind Est
Runcorn, Cheshire, WA7 3DL, GB
www.honeywellvideo.com
☎ +0844 8000 235

Honeywell Security South Africa

Unit 6 Galaxy Park, 17 Galaxy Avenue
Linbro Park, P.O. Box 59904
2100 Kengray, Johannesburg
Südafrika
www.honeywell.co.za
☎ +27.11.574.2500

Honeywell Security Deutschland

Johannes-Mauthe-Straße 14
D-72458 Albstadt, Deutschland
www.honeywell.com/security/de
☎ +49.74 31.8 01.0

Honeywell Security Poland

Chmielewskiego 22a, 70-028
Szczecin, Polen
www.ultrak.pl
☎ +48.91.485.40.60

Honeywell Security Czech Republic

Havránkova 33, Brno
Dolní Heršpice, 619 00
Tschechische Republik
www.olympo.cz
☎ +420.543.558.111

Honeywell Security Slovakia Republic

Vajnorská 142, 83104 Bratislava
Slowakei
www.olympo.sk
☎ +421.2.444.54.660

Honeywell

www.honeywellvideo.com

+1.800.796.CCTV (nur Nordamerika)

HVSsupport@honeywell.com

Dokument G-113079-002 02/07 Version 2

© 2007 Honeywell International Inc. Alle Rechte vorbehalten. Kein Teil dieser Veröffentlichung darf ohne schriftliche Genehmigung durch Honeywell Video Systems reproduziert werden. Die Informationen in dieser Veröffentlichung wurden mit größter Sorgfalt zusammengestellt. Honeywell Video Systems kann jedoch keinerlei Haftung für die Folgen übernehmen, die sich aus der Nutzung dieser Informationen ergeben könnten. Die in diesem Dokument enthaltenen Informationen können jederzeit und ohne vorherige Ankündigung geändert werden. Zur Umsetzung solcher Änderungen können überarbeitete Versionen dieser Veröffentlichung herausgegeben werden.

Download from Www.Somanuals.com. All Manuals Search And Download.

Honeywell

L-serie dag/nacht- kleurencamera

NTSC PAL

HCD484L

HCD484LX

HCD485LX

Gebruikers- handleiding

Revisies

Publicatie	Datum	Revisies
1.00	10/06	Nieuw document
2	02/07	bijgewerkt 900.0842 document aantal deel; Toegevoegde waarschuwing aan pagina iii.

Waarschuwingen

Installatie en onderhoud mogen alleen uitgevoerd worden door gekwalificeerd en ervaren personeel om te voldoen aan alle plaatselijke codes en om uw garantie te behouden.

WAARSCHUWING! De 12 VDC/24 VAC-modellen vereisen het gebruik van CSA-gecertificeerd/UL-opgenomen klasse 2-stroomadapters om naleving van elektrische veiligheidsstandaards te garanderen.

Wanneer een STEKKER of een ander stroomverbinding wordt gebruikt om het apparaat van het stroomnet te ontkoppelen, dient deze ten alle tijden bedienbaar te zijn.

Aparte afvalinzameling voor elektrische en elektronische apparatuur (AEEA). Juiste afvalverwijdering van dit product (van toepassing in de Europese Unie en andere Europese landen met gescheiden afvalverwijderingssystemen). Dit product dient aan het einde van het gebruiksleven volgens de van toepassing zijnde plaatselijke wetgeving en procedures vernietigd te worden.

Verklaring van de grafische symbolen

	WAARSCHUWING RISICO VAN ELEKTRISCHE SCHOK NIET OPENEN			DIT SYMBOOL GEEFT AAN DAT ZICH BINNEN HET APPARAAT GEVAARLIJKE VOLTAGE BEVINDT DIE EEN RISICO VORMT OP EEN ELEKTRISCHE SCHOK.
LET OP: OM HET RISICO OP EEN ELEKTRISCHE SCHOK TE VERMINDEREN MAG DE BEHUIZING NIET VERWIJDERD WORDEN. IN HET INSTRUMENT BEVINDEN ZICH GEEN ONDERDELEN DIE DOOR DE GEBRUIKER KUNNEN WORDEN ONDERHOUDEN. RAADPLEEG VOOR SERVICE GEKWALIFICEERD ONDERHOUDSPERSONEEL				DIT SYMBOOL GEEFT AAN DAT BELANGRIJKE BEDIENINGS- EN ONDERHOUDSINSTRUCTIES BIJ DIT APPARAAT GELEVERD WORDEN.

FCC-verklaring van naleving

Informatie voor de gebruiker: Deze apparatuur is getest op en voldoet aan de limieten voor een klasse A-digitaal apparaat. Ingevolge deel 15 van de FCC-regels zijn deze begrenzings ontwikkeld om redelijke bescherming te bieden tegen schadelijke interferentie wanneer de apparatuur gebruikt wordt in een commerciële omgeving. Dit apparaat genereert en gebruikt radiofrequentie-energie en kan deze uitstralen. Indien niet geïnstalleerd en gebruikt volgens de instructies, kan dit apparaat schadelijke interferentie van radiocommunicatie veroorzaken. Gebruik van dit apparaat in een woonomgeving zal waarschijnlijk schadelijke interferentie veroorzaken en in dit geval zal de gebruiker de interferentie op eigen kosten dienen aan te passen.

Let op Veranderingen of modificaties die niet uitdrukkelijk goedgekeurd zijn door de partij die verantwoordelijk is voor naleving, kunnen uw recht op bediening van het apparaat doen vervallen.

Conformiteitsverklaring van de fabrikant

De fabrikant verklaart dat de apparatuur die bij deze handleiding geleverd wordt, conform de essentiële beschermingsbepalingen van de EMC-richtlijn 89/336/EEC en de Low Voltage Directive LVD 73/23 EEC is, waarmee voldaan wordt aan de bepalingen van standaards EN 55013 voor emissies.

Inhoud

Inleiding	1
Eigenschappen	1
Voor u begint	2
Alles uitpakken	2
Camerafuncties	3
Installatie	4
Het kiezen van de lens	4
Aanpassen van de backfocus	5
Monteren van de camera	6
Aansluiten van de camera	6
Aansluitingen van de afstandsbediening	7
Programmeren	8
On-Screen Display (OSD)	8
OSD-menufuncties	9
Opslaan van uw instellingen	9
Instellen van uw camera	10
OSD-menustructuur	10
Het toevoegen van een camera-ID of -titel ..	12
Instellen van belichtingsoptimalisatie van de camera	13
ELC/ALC-modus	13
Instellen witbalanscontrole	14
Nightshot Control Setup	15
Instellen sync-control	16
Afsluiten van het instelmenu	16
Garantie en service	17
Specificaties	17

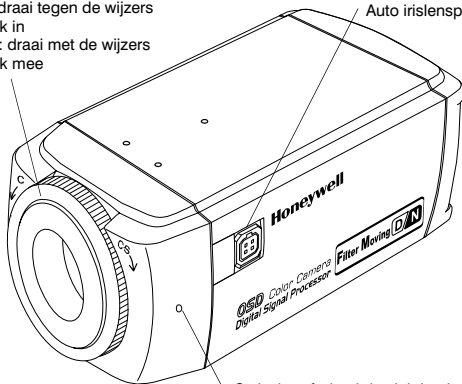
Inleiding

De Honeywell L-serie-dag/nacht-kleurencamera's geven een hoge afbeeldingskwaliteit en -resolutie met een zeer gevoelige 1 1/3 inch interlinetransfer CCD-beeldsensor.

Figuur 1 **Overzicht van de camera**

C/CS-mountadapter:
C-mount: draai tegen de wijzers
van de klok in
CS-mount: draai met de wijzers
van de klok mee

Lensconnector voor
Auto iris lensplug



Stelschroef: draai de sluitring los met een kruiskopschroevendraaier om de mounting ring aan te passen.

Eigenschappen

- 1/3" IT Super HAD CCD
- C/CS-regelbare lensmountadapter
- Uitstekende signaal-tot-ruisverhouding van meer dan 50 dB
- Minimale belichting van 0,1 lux (F1.2, 50 IRE, IR Filter Off, B/W)
- Compatibel met Video Iris (VSD) of Direct Drive (DC) Auto iris lens
- OSD-menubediening
- True-colorweergave van verschillende lichtbronnen
- Afstandsbediening met RS485-aansluiting

Voor u begint

Lees deze handleiding zorgvuldig door voor u de L-serie dag/nacht-kleurencamera installeert.

Bewaar deze handleiding. U kunt hem in de toekomst nodig hebben.

Alles uitpakken

Controleer of de items die u ontvangen hebt, overeenkomen met de items die vermeld staan op het bestelformulier en de pakbon. De L-serie dag/nacht-doos dient, naast deze gebruikershandleiding, het volgende te bevatten:

- Een L-serie dag/nacht-kleurencamera
- Een 4 pinsverbindingkabel
- Een Auto iris lensplug

Als er onderdelen ontbreken of beschadigd zijn, dient u contact op te nemen met de dealer bij wie u de camera gekocht hebt of bel de Honeywell Klantenservice (zie *Contactinformatie* op de achterkant van deze handleiding).

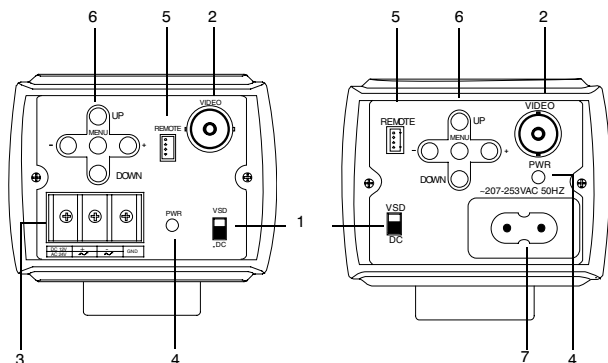
Opmerking U hebt ook een kruiskopschroevendraaier nodig om de installatie te voltooien.

Camerafuncties

Figuur 2 Achteraanzicht van de camera

Laag voltage
(HCD484L, HCD484LX)

Netaansluiting 230V—lijnvoltagte
(HCD485LX)



Legenda

Beschrijving

- 1 Selectieschakelaar voor Auto iris lens, **VSD** voor Video of **DC** voor Direct Drive
- 2 Video-outputconnector
- 3 Stroom-inputconnector (24 VAC: 3 terminals)—Alleen laag voltagemodel
- 4 Stroom LED-indicator
- 5 Afstandsbediening RS485-connector
- 6 Menubediening (zie "Programmeren" op pagina 8)
- 7 Netaansluiting 230V lijnvoltagte-voedingsaansluiting

Installatie

Het kiezen van de lens

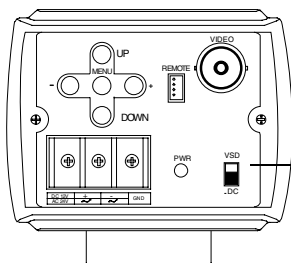
Varifocale Auto irislenzen (Direct Drive of Video Drive) worden aangesloten op de camera door middel van een 4-pins vierkante aansluiting die zich aan de zijkant van de camera bevindt.

1. Stel de VSD/DC-schakelaar aan de achterkant van de camera in.

Voor Video Drive-lens stelt u de schakelaar in op **VSD**.

Voor Direct Drive stelt u de schakelaar in op **DC**.

Hier afgebeeld is het laag voltagemodel (HCD484L, HCD484LX)



VSD = Auto iris lens met een ingebouwde versterker (video-type lens)
DC = Auto iris lens zonder versterker (DC-type lens)

2. Stel de EE MODE in op **ALC MODE** op het OSD-menu (zie **ALC MODE**).

Auto iris lens met versterker: Stel de VSD LENS in op het OSD-menu.

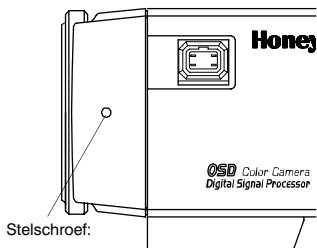
Auto iris lens zonder versterker: Stel de DC LENS in op het OSD-menu. Pas het LEVEL zorgvuldig aan om hunting te vermijden.

Aanpassen van de backfocus

De aanpassing van de backfocus is toegankelijk aan de voorzijde van de camerabehuizing om de lengte van de backfocus of beeldfocus aan te passen.

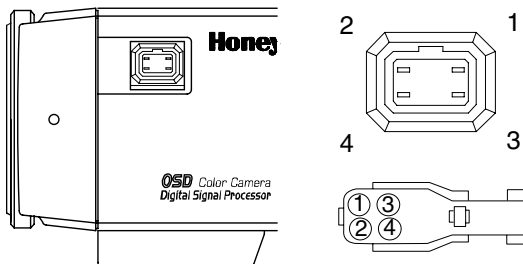
Het aanpassingsbereik zorgt ervoor dat zowel C- als CS-mountlenzen gebruikt kunnen worden zonder dat er een afstandsring gebruikt hoeft te worden.

Figuur 3 C/CS-mount



1. Draai de stelschroef los met een kruiskopschroevendraaier.
2. Pas de focusing aan om het beeld te focussen.
3. Draai de stelschroef weer vast.

Figuur 4 Pinbeschrijving van de Auto iris lens



Pin	DC (directe aandrijving) lens	Video (VSD) lens
1	CTRL-	Stroom (+ 12V)
2	CTRL+	NC
3	DRV+	Videosignaal
4	DRV-	GND
	Stel de selecteerschakelaar in op DC .	Stel de selecteerschakelaar in op VSD .

Monteren van de camera

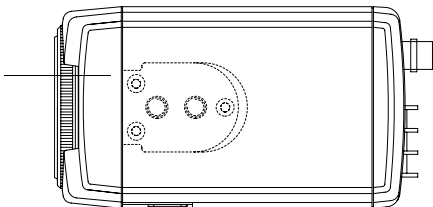
Er zijn montagepunten aan de bovenzijde van de camera om de camera op een beugel of statief te plaatsen. Ze zijn geschikt voor bevestigingsschroeven met een standaardmaat van 1/4 x 20. Deze beugel kan losgeschroefd en gemonteerd worden aan de andere kant van de camera, afhankelijk van uw toepassing.

De bevestigingsbeugel moet sterk genoeg zijn om het gewicht van de camera en de lens te kunnen dragen.

Opmerking Sommige installatiecodes schrijven voor dat de bevestigingsbeugel in staat moet zijn om tot vier keer het gecombineerde gewicht van camera en lens te dragen.

Figuur 5 Bevestiging van de camera

Schroef 3
bevestigingsschroeven
van de beugel los en
bevestig de beugel
daarna aan de andere
kant van de camera.



Aansluiten van de camera

Opmerking Controleer de voedingspanning van de externe voedingseenheid voordat u stroom zet op de camera.

1. Sluit de **VIDEO**-connector aan de achterkant van de camera aan op de video-in-connector op uw monitor.
2. Sluit de camera aan op een voedingsbron die van toepassing is op uw installatie.

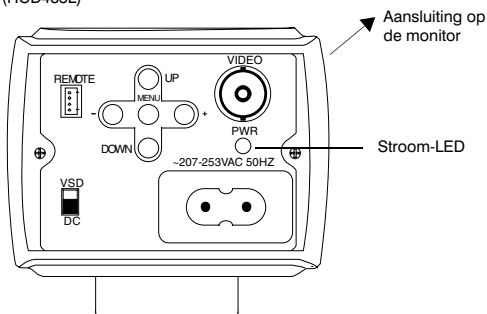
HCD484L, HCD484LX: 12 VDC- of 24 VAC-stroombron

HCD485LX: 230V-stroomvoorziening

- Steek de stekker in het stopcontact. De stroom (PWR)-LED licht op om te tonen dat de camera stroom krijgt. Als die niet brandt, controleer dan de aansluiting en de stroomvoorziening.

Figuur 6 Camera-aansluitingen

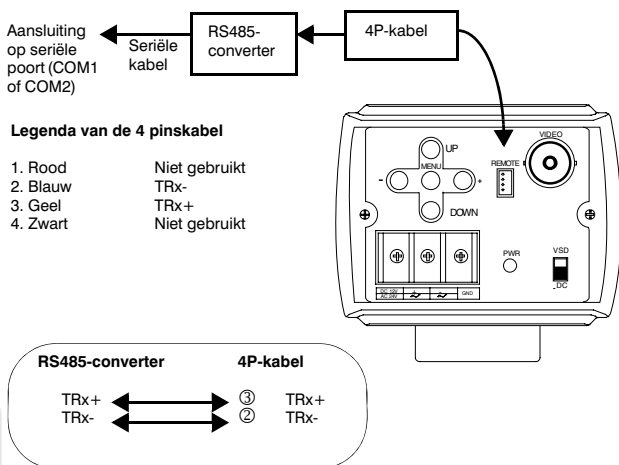
Hier is de netaansluiting (230V)-versie afgebeeld (HCD485L)



Aansluitingen van de afstandsbediening

De L-serie dag/nacht-kleurencamera kan op afstand bediend worden door middel van een RS485-aansluiting.

Figuur 7 RS485-camera-aansluiting



Programmeren

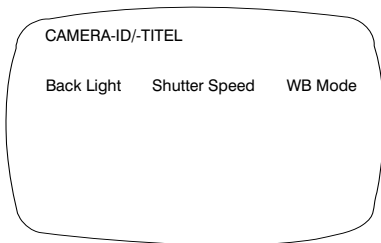
On-Screen Display (OSD)

Druk kort op **MENU** om de huidige bedieningsset-up te bevestigen. De informatie (zie *Figuur 8*) verdwijnt na een paar seconden als er geen knop ingedrukt wordt.

Hoewel de OSD-boodschap verdwijnt, blijft de camera-ID of -titel op het scherm te zien, als die geselecteerd is in het CAMERA ID-submenu. Om de camera-ID of -titel uit te schakelen:

- met externe communicatie, verander de schermpositie. Opties zijn onderkant rechts, onderkant links, bovenkant links, bovenkant rechts, niet op het scherm
- als u de OSD-bediening niet nodig hebt (bijvoorbeeld als u een extern tekstschermb gebruikt), kunt u die op elk gewenst moment door middel van een afstandsbediening met een RS485-aansluiting op OFF instellen.

Figuur 8 **OSD-informatiedisplay**



Back Light wordt getoond als BLC ingeschakeld is (zie *BLC MODE (voor het compenseren van achtergrondverlichting)*).

Shutter Speed wordt getoond als de standaardsluitersnelheid gewijzigd is.

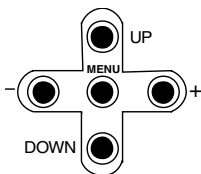
WB Mode wordt altijd getoond.

OSD-menufuncties

Gebruik de OSD-menubediening om de camera te programmeren.

1. Druk op de (middelste) knop **MENU** en houdt deze gedurende 2 seconden ingedrukt om het instelmenu te tonen.
2. Druk op de knoppen **UP** of **DOWN** om een menuonderdeel te selecteren.
3. Druk op de knop **MENU** om terug te keren naar het geselecteerde submenu.
4. Druk op de knoppen + of – om de waarde van het geselecteerde onderdeel te verhogen of te verlagen.

Figuur 9 OSD-menubediening



Opslaan van uw instellingen

Eerste methode: Wanneer u tevreden bent met uw instellingen:

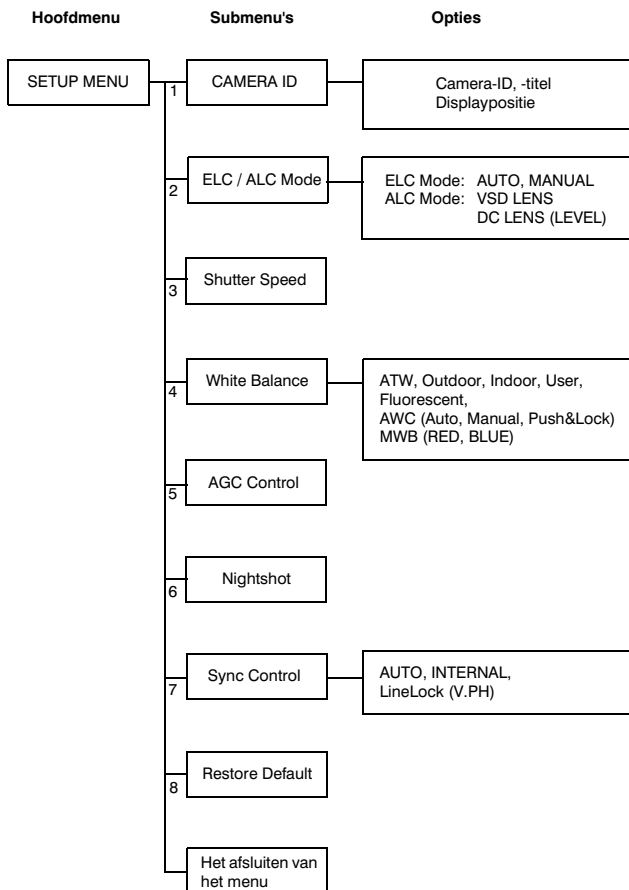
1. Druk de knop **MENU** gedurende 2 seconden in. Het **SETUP MENU** wordt vervangen door een van twee boodschappen:
SAVE? wordt getoond wanneer waarden gewijzigd zijn. Als u **SAVE** selecteert, verlaat u de instelmodus en slaat u uw veranderingen op.
QUIT? wordt getoond wanneer u geen instellingen hebt gewijzigd. Als u **QUIT** selecteert, verlaat u de instelmodus zonder gewijzigde waarden op te slaan.
2. Druk op + of – om **SAVE** of **QUIT** te selecteren en druk daarna op **MENU** om de instelmodus te verlaten. Druk op **UP** of **DOWN** om de **SAVE/QUIT** te annuleren en terug te keren naar het instelmenu.

Tweede methode: Selecteer **EXIT MENU** op het instelmenu, druk op **MENU** en selecteer daarna **SAVE AND EXIT** om de gewijzigde instellingen op te slaan en het menu te verlaten. Selecteer **EXIT** om af te sluiten zonder de instellingen op te slaan.

Instellen van uw camera

OSD-menustructuur

Het menusysteem van de L-serie dag/nacht-kleurencamera bestaat uit een hoofdinstelmenu voor eenvoudig programmeren.

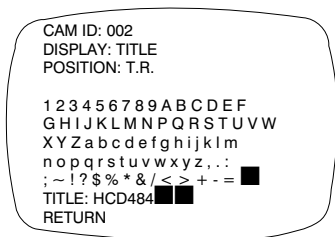


Menuonderdeel	Optie	Beschrijving
1 CAMERA ID	000 (off), 001 ... 255	0 : Schakelt ID-scherm uit. Zie <i>Instellen sync-control</i> voor meer informatie.
2 ELC / ALC Mode	ELC ... ALC ...	Zie <i>ELC/ALC-modus</i> voor meer informatie.
3 Shutter Speed	1/60 NTSC (1/50 PAL) FL 1/250 1/500 1/1000 1/2000 1/4000 1/10000 1/30000 1/50000	Aanpassen helderheid met hoge sluitersnelheid. FL : Verwijdert trillingen in een beeld. Dit veld is niet regelbaar wanneer de camera ingesteld is op ELC MODE . Auto is standaard geselecteerd.
4 White Balance	ATW (Auto Trace White Balance) AWC (Auto White Balance Control) MWB (Manual White Balance)	Voorinstelde witbalansfuncties waaronder buiten, binnen, gebruiker, tlicht. Zie <i>Instellen witbalanscontrole</i> voor meer informatie.
5 AGC Control	OFF 10 dB 12 dB ... 38 dB	Voor het aanpassen van de maximumwaarde van AGC-versterking. Wanneer AGC is ingesteld op OFF, is Nightshot niet beschikbaar.
6 Nightshot		Stel in hoe de camera reageert op lage belichting.
7 Sync. Control	AUTO INTERNAL LineLock (V.Phase)	Zie <i>Instellen sync-control</i> voor meer informatie.
8 Restore Default		Laad de standaardfabrieksinstellingen opnieuw. Als u geen wijzigingen hebt aangebracht, zult u deze instelling niet kunnen selecteren.

Het toevoegen van een camera-ID of -titel

Het toevoegen van een camera-ID is nuttig als u een aantal camera's in uw netwerk hebt. Om een camera-ID of -titel toe te voegen, gaat u naar het SETUP MENU, selecteer **CAMERA ID** en druk op **MENU**.

Figuur 10 Toevoegen van een camera-ID of -titel



Menuonderdeel	Optie	Beschrijving
CAM ID	0 001 ... 255	Het nummer dat aan elke camera in uw netwerk is toegewezen, van 000 tot 255 . 0 : De ID wordt niet op het scherm getoond.
DISPLAY	TITLE ID OFF	Selecteer wat op het scherm wordt getoond (Camera TITLE , ID of niets).
POSITION	T.R. B.R. B.L. T.L. NO DISP	Selecteer waar u de camera-ID of -titel op het scherm wilt laten verschijnen (bovenkant rechts, onderkant rechts, bovenkant links, onderkant links en niet op het scherm).
TITLE		Voer een naam in voor de camera. Maximum 10 karakters, inclusief spaties.
RETURN		Druk op MENU om terug te keren naar het hoofd-SETUP MENU.

Voer een cameratitel in

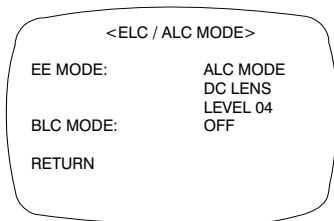
1. Ga naar het eerste karakter van de TITLE: door de + of – menubediening aan de achterkant van de camera te gebruiken.
2. Gebruik de menubediening **UP**, **DOWN**, **+**, **-** om het eerste karakter in de titel te selecteren, druk daarna op de MENU-toets om het karakter op te slaan.

3. Selecteer het volgende karakter van de titel met de + of – menubediening, herhaal daarna de stappen 2 en 3 tot uw cameratitel klaar is.
4. Selecteer **RETURN** en druk op **MENU** om uw wijzigingen op te slaan en terug te keren naar het hoofd-SETUP MENU.

Instellen van belichtingsoptimalisatie van de camera

ELC/ALC-modus

Figuur 11 Instellen van de camerabelichting



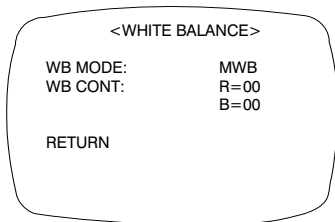
Voor het instellen van de lensmodus, compensatie van achtergrondlicht en zwart masker:

Menuon- derdeel	Optie	Beschrijving
EE MODE: ELC MODE	AUTO MANUAL	Voor een handmatige (vaste) lens: AUTO : Iris bedient de elektronische belichting automatisch. MANUAL : Pas de iris aan door het handmatig veranderen van de hoge sluitersnelheid.
EE MODE: ALC MODE	VSD LENS DC LENS	Voor een automatische iris lens: VSD : Selecteer voor video-type lens. DC LENS : Selecteer voor direct-drivetype lens. Pas het LEVEL aan tot het beeld niet te helder en ook niet te donker is.
BLC MODE (voor het compenseren van achtergrond- verlichting)	OFF LOW BL MID. BL HIGH BL	Voorkomt dat het object in het midden van het beeld donker wordt (silhoueteffect) wanneer er te veel licht van achteren komt.
RETURN		Druk op MENU om terug te keren naar het SETUP MENU.

Instellen witbalanscontrole

Auto-witbalans zorgt ervoor dat de kleurintegriteit behouden blijft binnen het kleurbereik van 2800 °K tot 8000 °K:

Figuur 12 Witbalanscontrole

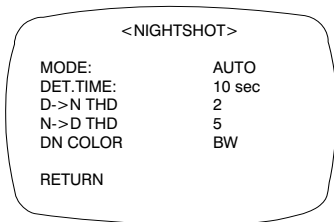


Menuonderdeel	Beschrijving
ATW (Auto Trace White Balance Mode)	Feedbacksysteem dat automatisch de witbalans aanpast (2800 °K tot 8000 °K).
AWC (Auto White Balance Control Mode)	Functioneert met een snellere bedieningssnelheid dan ATW. Wordt over het algemeen gebruikt voor buitentoepassingen of daar waar variabele belichtingscondities heersen. De opties zijn: AUTO: AWC functioneert de hele tijd MANUAL: PUSH Druk op MENU om de AWC-functie te starten MANUAL: LOCK Laat de knop MENU los om aan te sluiten bij de witbalans van de huidige opname
INDOOR	Voorinstelling voor algemene binnenopnamen (3200 °K).
FLUORESCENT	Kantooromgevingen met tl- of tungstenverlichting. Geeft het laagste dynamische bereik van alle voorinstellingen (4200 °K).
USER FIXED	Voorinstelling (4700 °K)
OUTDOOR	Voorinstelling voor buitenomgevingen en scènes met hoog contrast waar de camera gefocust is op donkerder (6300 °K).
MWB (Manual Mode)	RED: 0 to 20 BLUE: 0 to 20
RETURN	Druk op MENU om terug te keren naar het SETUP MENU.

Nightshot Control Setup

Het Nightshot-menu biedt u de mogelijkheid in te stellen hoe de camera reageert op veranderingen in lage verlichting en in te stellen wanneer de camera overschakelt tussen nacht- en dagmodus. AGC moet **aan** staan om Nightshot actief te laten zijn.

Figuur 13 Witbalanscontrole

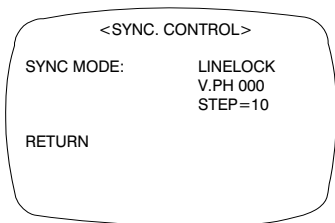


Menuonderdeel	Beschrijving
MODE	AUTO: De camera verwijdert of voegt de IR-cutfilter in door autodetectie van de helderheid. ON: IR-cutfilter is verwijderd (nachtmodus) OFF: IR-cutfilter is ingevoegd (dagmodus)
DET.TIME	Stelt de tijd in— 5 tot 60 seconden—voordat de camera overschakelt naar dag- of nachtmodus nadat een lage lichttoestand gedetecteerd is. MODE moet ingesteld worden op AUTO .
D->N THD (drempel)	Bepaalt het detectieniveau voor weinig licht— 1 tot 9 —wanneer de camera overschakelt naar de nachtmodus. Hoe lager de waarde, hoe donkerder de belichtingscondities voordat de camera overschakelt. MODE moet ingesteld worden op AUTO . Opmerking D-> THD moet ingesteld worden op ten minste 2 minder dan de N->D THD-instelling.
N->D THD (drempel)	Bepaalt het detectieniveau voor weinig licht — 1 tot 9 —wanneer de camera overschakelt naar de dagmodus. Hoe hoger de waarde, hoe helderder de belichtingscondities voordat de camera overschakelt. MODE moet ingesteld worden op AUTO .
DN COLOR	Stelt de kleurmodus in op B/W (monochroom) of COLOR in de nachtmodus. MODE moet ingesteld worden op AUTO of ON .
RETURN	Druk op MENU om terug te keren naar het SETUP MENU.

Instellen sync-control

Om de verticale intervalsync-puls van uw camera te synchroniseren met andere apparatuur om het effect van rollen van het beeld op de monitor te verminderen.

Figuur 14 Instellen sync-control

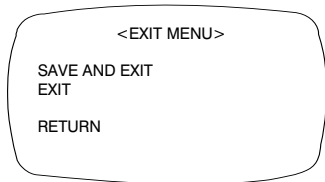


Menuonderdeel	Beschrijving
INTERNAL	Wanneer linelock niet nodig is.
LINELOCK	Aanpassen van de juiste fase: V.PH: 000 tot 300 (fabrieksinstelling is 0) Opmerking Linelock is niet beschikbaar in 12 VDC-vermogen.
AUTO	Camera detecteert automatisch de synchronisatie.
RETURN	Druk op MENU om terug te keren naar het SETUP MENU.

Afsluiten van het instelmenu

Om het SETUP-menu te verlaten.

Figuur 15 Het afsluiten van het menu



Menuonderdeel	Beschrijving
SAVE AND EXIT	Druk op MENU om uw wijzigingen op te slaan en af te sluiten.
EXIT	Druk op MENU om te stoppen zonder uw wijzigingen op te slaan.
RETURN	Druk op MENU om terug te keren naar het SETUP MENU.

Garantie en service

Ingevolge de algemene voorwaarden die u vindt bij Productgarantie, zal Honeywell tijdens de garantieperiode elk product dat gebreken vertoont en waarvan de koper de verzendkosten heeft betaald, zonder kosten repareren of vervangen, naar eigen keuze.

Als u een probleem hebt met een Honeywell-product, neemt u dan contact op met de Klantenservice op het telefoonnummer 1.800.796.CCTV (alleen voor Noord-Amerika) voor hulp of om een **Return Merchandise Authorization (RMA)**-nummer te vragen. In Europa en het Verenigd Koninkrijk kunt u contact opnemen met uw Honeywell-dealer.

Zorg dat u het modelnummer, serienummer en de aard van het probleem bij de hand hebt voor de vertegenwoordiger van de Technische Dienst.

Voordat u het apparaat terugstuurt, omwisselt of uw geld terugkrijgt, **moet** u hiervoor eerst autorisatie gekregen hebben.

Apparaten die naar Honeywell gestuurd worden zonder een herkenbaar Return Merchandise Autorization (RMA)-nummer kunnen geweigerd worden.

Specificaties

Opmerking Deze specificaties hebben betrekking op alle modellen, behalve waar anderszins vermeld.

HCD484L

HCD484LX

HCD485LX

Werking

Beeldsensor:	1/3" Super HAD CCD	
Videostandaard:	NTSC	PAL
Scansysteem:	525 beeldlijnen, 2:1 interlace	625 beeldlijnen, 2:1 interlace
Aantal pixels (H x V):	768 x 494	752 x 582
Minimale belichting:	< 0,1 lux @ F1.2 (50 IRE, AGC ON, IR Filter Off, B/W)	
Horizontale resolutie:	480 TVL	480 TVL

HCD484L**HCD484LX
HCD485LX**

Video-output:	1 Vp-p @ 75 Ohm	
Sync-systeem:	Intern/Linelock/Auto	
S/R-verhouding:	> 50 dB	
Automatische Versterkingsregeling (Auto Gain Control, of AGC):	Off, 10 dB to 38 dB	
ALC:	EE/VSD/DC	
Automatische Elektronische Sluiter (AES):	1/60 - 1/100 000 sec	1/50 - 1/100 000 sec
Lens Mount:	C/CS-mount (regelbaar)	
Witbalans (AWB):	ATW, AWC, binnen, buiten, tl, gebruiker, MWB	
BLC:	Uit, laag, gemiddeld, hoog	

Elektrisch

Inputvoltage:	HCD484L, HCD484LX: 12 VDC/24 VAC HCD485LX: 230 VAC	
Inputvoltage-bereik:	HCD484L, HCD484LX: 11-16 VDC/17-28 VAC HCD485LX: 230 VAC ± 10%	
Stroomverbruik:	HCD484L, HCD484LX: 3,5 W (max) HCD485LX: 4.5 W (max)	

Mechanisch

Afmetingen: (B x H x D)	HCD484L, HCD484LX: 2,68 x 2,2 x 4,72 in. (68 x 56 x 120 mm) HCD485LX: 2,68 x 2,2 x 5,51 in. (68 x 56 x 140 mm)	
Gewicht:	HCD484L, HCD484LX: 0,84 lb (0,38 kg) HCD485LX: 0,90 lb(0,41 kg)	

Omgeving

Temperatuur:	Bij functioneren: 14°F tot 122°F (-10°C tot +50°C) Opslag: -4°F tot 158°F (-20°C tot +70°C)	
--------------	--	--

Gereguleerd

Emissies:	FCC, CE (EN55013)	
Immunititeit:	CE (EN50130-4)	
Veiligheid:	EU: 73/23/EEC LVD	

**Honeywell Video Systems
(Hoofdkantoor)**

2700 Blankenbaker Pkwy, Suite 150
Louisville, KY 40299, Verenigde Staten
www.honeywellvideo.com
☎ +1.800.796.2288

Honeywell Security Australia Pty Ltd.

Unit 5, Riverside Centre
24-28 River Road West
Parramatta, NSW 2150, Australië
www.ademco.com.au
☎ +61.2.8837.9300

Honeywell Security Asia Pacific

33/F Tower A, City Center, 100 Zun Yi
Shanghai 200051, China
www.security.honeywell.com/cn
☎ +86 21.2527.4568

Honeywell Security Asia

Flat A, 16/F, CDW Building
388 Castle Peak Road
Tsuen Wan, N.T., Hongkong
www.security.honeywell.com/hk
☎ +852.2405.2323

Honeywell Security France

Parc Gutenberg, 8, Voie La Cardon
91120, Palaiseau, Frankrijk
www.honeywell.com/security/fr
☎ +33.01.64.53.80.40

Honeywell Security Italia SpA

Via Treviso 2 / 4
31020 San Vendemiano
Treviso, Italië
www.honeywell.com/security/it
☎ +39.04.38.36.51

Honeywell Security España

Mijancas 1. 3^a Planta
P.Ind. Las Mercedes
28022 Madrid, Spanje
www.honeywell.com/security/es
☎ +34.902.667.800

**Honeywell Video Systems
Northern Europe**

Network 121
1446 WV Purmerend, Nederland
www.SecurityHouse.nl
☎ +31.299.410.200

Honeywell Video Systems UK Ltd.

Aston Fields Road, Whitehouse Ind Est
Runcorn, Cheshire, WA7 3DL, Verenigd
Koninkrijk
www.honeywellvideo.com
☎ +0844 8000 235

Honeywell Security South Africa

Unit 6 Galaxy Park, 17 Galaxy Avenue
Linbro Park, P.O. Box 59904
2100 Kengray, Johannesburg
Zuid-Afrika
www.honeywell.co.za
☎ +27.11.574.2500

Honeywell Security Deutschland

Johannes-Mauthe-Straße 14
D-72458 Albstadt, Duitsland
www.honeywell.com/security/de
☎ +49.74 31.8 01.0

Honeywell Security Poland

Chmielewskiego 22a, 70-028
Szczecin, Polen
www.ultrak.pl
☎ +48.91.485.40.60

Honeywell Security Czech Republic

Havránkova 33, Brno
Dolní Heršpice, 619 00
Tsjechië
www.olympo.cz
☎ +420.543.558.111

Honeywell Security Slovakia Republic

Vajnorská 142, 83104 Bratislava
Slovakije
www.olympo.sk
☎ +421.2.444.54.660

Honeywell

www.honeywellvideo.com

+1.800.796.CCTV (alleen voor Noord-Amerika)

HVSsupport@honeywell.com

Document G-113079-002 02/07 Rev 2

© 2007 Honeywell International Inc. Alle rechten voorbehouden. Geen enkel deel van deze publicatie mag op enige manier gereproduceerd worden zonder schriftelijke toestemming van Honeywell Video Systems. De informatie in deze publicatie wordt geacht in alle opzichten accuraat te zijn. Honeywell Video Systems kan echter geen verantwoordelijkheid aanvaarden voor eventuele gevolgen als gevolg van het gebruik hiervan. De informatie die hierin is opgenomen kan zonder kennisgeving gewijzigd worden. Revisies of nieuwe edities van deze publicatie kunnen uitgegeven worden om dergelijke veranderingen op te nemen.

Download from Www.Somanuals.com. All Manuals Search And Download.

Free Manuals Download Website

<http://myh66.com>

<http://usermanuals.us>

<http://www.somanuals.com>

<http://www.4manuals.cc>

<http://www.manual-lib.com>

<http://www.404manual.com>

<http://www.luxmanual.com>

<http://aubethermostatmanual.com>

Golf course search by state

<http://golfingnear.com>

Email search by domain

<http://emailbydomain.com>

Auto manuals search

<http://auto.somanuals.com>

TV manuals search

<http://tv.somanuals.com>