

## QuantumT™ Flex Stand Installation Guide

For kits 46-00288 and 46-00289

### Components Required for Flex Stand Installation

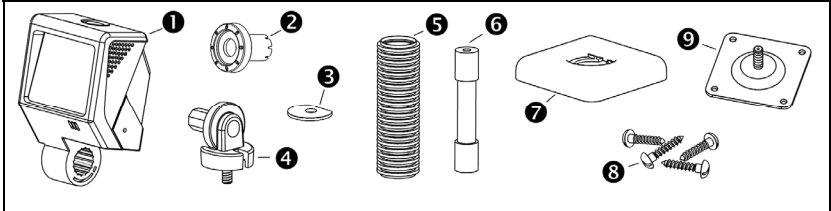


Figure 1. Components

- |     |   |        |
|-----|---|--------|
| 1.  | MS3580, QuantumT .....                      | Qty. 1 |
| 2.  | Pivot Cylinder .....                        | Qty. 1 |
| 3.  | Bearing Plate .....                         | Qty. 1 |
| 4.  | Pole Mount Adapter .....                    | Qty. 1 |
| 5.  | Flexible Shaft Cover* .....                 | Qty. 1 |
| 6.  | Flexible Shaft* .....                       | Qty. 1 |
| 7.  | Base Plate Cover .....                      | Qty. 1 |
| 8.  | #8 x 1.00" Wood Screw .....                 | Qty. 4 |
| 9.  | Base Plate .....                            | Qty. 1 |
| 10. | Communication/Power Cable (Not Shown) ..... | Qty. 1 |

\* Length of the Flexible Shaft and Shaft Cover are Kit Dependent

Kit Number	Length of Flexible Shaft and Flexible Shaft Cover
46-00288	3 inches
46-00289	6 inches

### Base Plate Installation

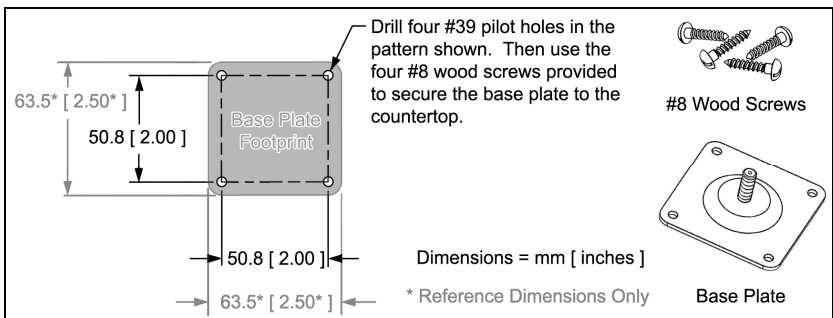


Figure 2. Specifications for Securing the Base Plate

For kits 46-00288 and 46-00289

### Flex Stand Assembly

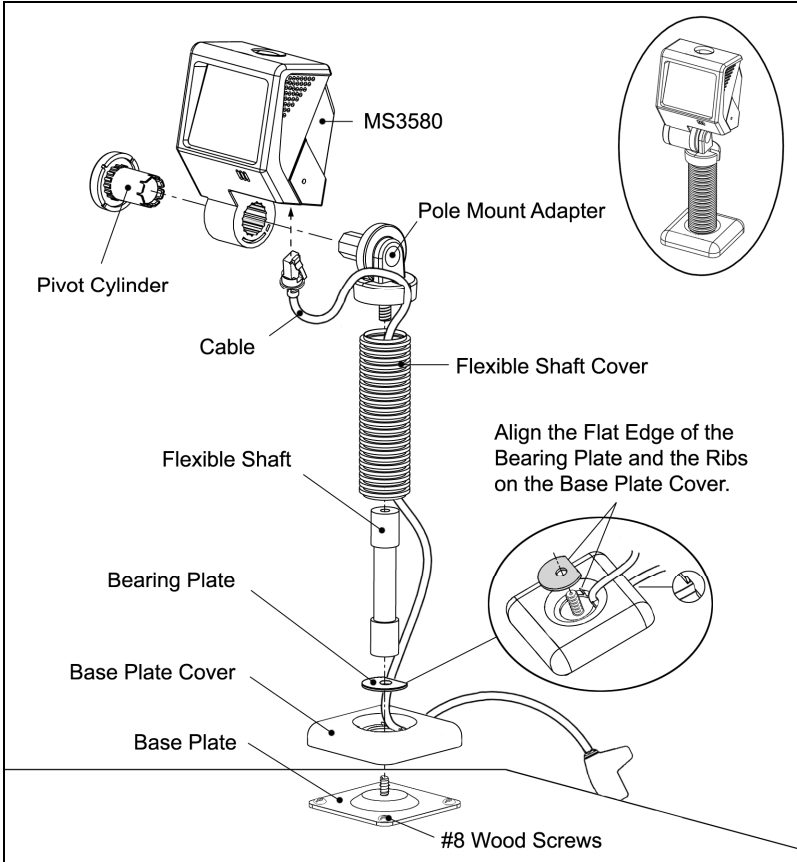


Figure 3. Flex Stand Assembly for Kits 46-00288 and 46-00289

For kits 46-00291 and 46-00292

**Components Required for Flex Stand Installation**

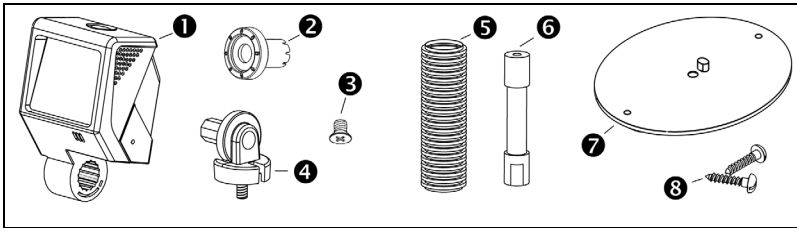


Figure 1. Components

- 1. MS3580, Quantum T ..... Qty. 1
- 2. Pivot Cylinder ..... Qty. 1
- 3. ¼" – 20 x 3/8" Flat Head Phillips, 100° Undercut..... Qty. 1
- 4. Pole Mount Adapter ..... Qty. 1
- 5. Flexible Shaft\* ..... Qty. 1
- 6. Flexible Shaft\* ..... Qty. 1
- 7. Stand Base ..... Qty. 1
- 8. #8 x 1.00" Wood Screw ..... Qty. 2
- 9. Communication/Power Cable (Not Shown) ..... Qty. 1

* Length of the Flexible Shaft and Shaft Cover are Kit Dependent	
Kit Number	Length of Flexible Shaft and Flexible Shaft Cover
46-00291	3 inches
46-00292	6 inches

**Base Plate Installation**

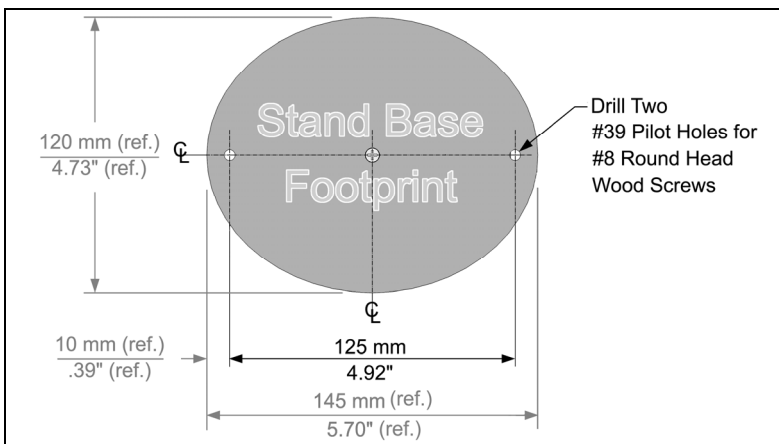


Figure 2. Specifications for Securing the Base Plate

For kits 46-00291 and 46-00292

### Flex Stand Assembly

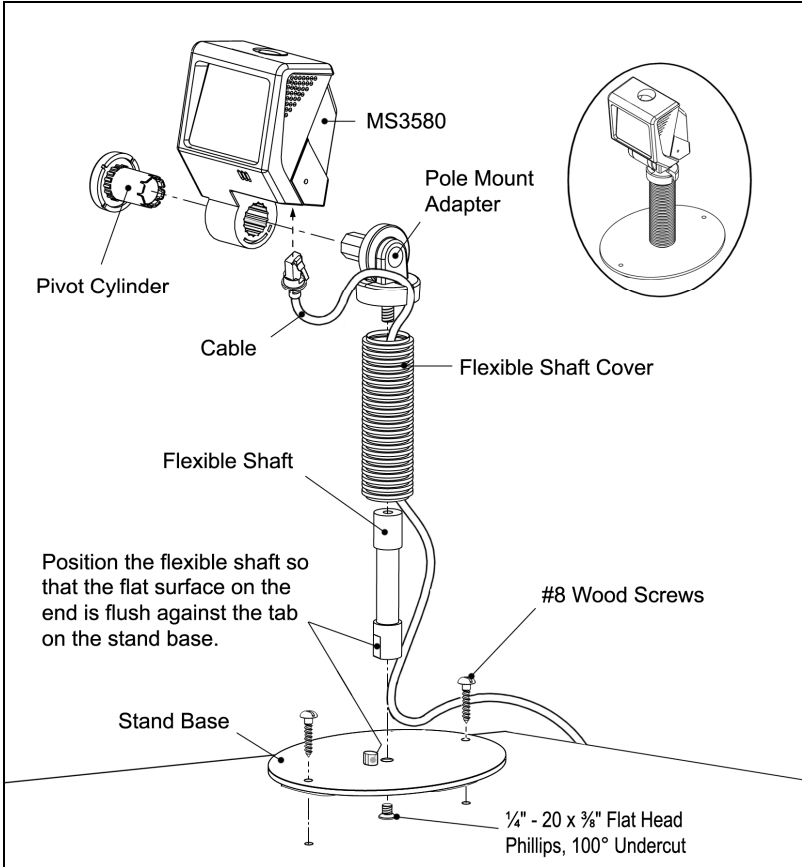


Figure 3. Flex Stand Assembly for Kits 46-00291 and 46-00292

### Honeywell Scanning & Mobility

9680 Old Bailes Road  
Fort Mill, SC 29707  
[www.honeywellaidc.com](http://www.honeywellaidc.com)



00-02534 Rev D  
10/10

## Free Manuals Download Website

<http://myh66.com>

<http://usermanuals.us>

<http://www.somanuals.com>

<http://www.4manuals.cc>

<http://www.manual-lib.com>

<http://www.404manual.com>

<http://www.luxmanual.com>

<http://aubethermostatmanual.com>

Golf course search by state

<http://golfingnear.com>

Email search by domain

<http://emailbydomain.com>

Auto manuals search

<http://auto.somanuals.com>

TV manuals search

<http://tv.somanuals.com>