

HE220, HE260 Humidifier and Installation Kit

INSTALLATION INSTRUCTIONS/OWNER'S GUIDE

WELCOME

To the comfortable world of humidified air. When you use your Honeywell humidifier, notice that your skin is not as dry, and that your scratchy throat and irritated nasal passages that aggravate allergies and asthma are steadily improving.

You have also taken the first step in reducing the *zapping* you create when you walk on your carpet and then touch your TV, computer, metal door knob or your pet. Your furniture and woodwork are also benefitting from the difference that humidified air makes.

Congratulations! You have just made a great investment in improving the comfort of your home.

APPLICATION

This kit contains your new Honeywell HE220 or HE260 Humidifier, H8908 Humidistat and all the accessories required for installation.

INSTALLATION

Preparing for the Installation

Be sure to identify all the required (Table 1) accessories (included) and make sure the appropriate tools are available before beginning the installation.

Required Accessories (Included)

Table 1. Required Accessories.

Quantity	Accessory
3 ft (0.93m)	Bypass ducting including: 6 in. (155 mm) diameter flexible duct Starter collar (flanged) Plain collar Summer shut-off damper Connecting straps (2)
20 ft (6.2m)	18 gauge, two-strand thermostat wire
20 ft (6.2m)	1/4 in. (6.35 mm) OD feed water tubing
10 ft (3.1m)	1/2 in (12.7 mm) ID drain tubing
1 bag	Connecting and mounting hardware: Wire nuts (4) No. 8 sheet metal screws (18) Drain tube clamp Feed tube mounting clamps (6) Brass inserts (2) Plastic compression rings (2)
1	Sail switch
1	H8908 Humidistat
1 bag	Saddle Valve Assembly: Saddle valve and top clamp (1) Threaded bottom clamp (1) Bolts (2) Rubber gasket (1) Brass insert (1) Plastic bushing (1)
1	Plug-in transformer

Required Tools

Tools required for installation include:

- Tin snip.
- Screwdriver.
- Adjustable or open-end wrench.
- Drill, punch or awl.
- Level.



Determining Best Location for Humidifier

! CAUTION

Temperature and Static Pressure Hazard.

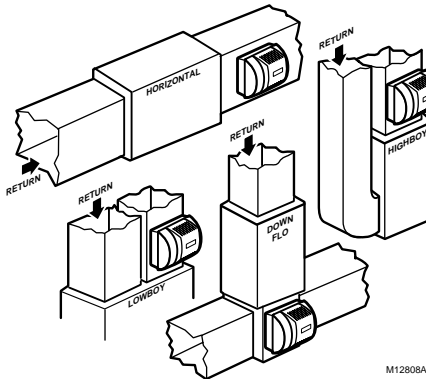
Can cause property or equipment damage.

Locate the humidifier where ambient temperature is between 32°F (0°C) and 160°F (71°C).

Do not install humidifier where freezing temperatures could occur.

Be sure supply plenum static pressure is no greater than 0.4 in. wc and water pressure is no greater than 124 psi.

- Select a location for the humidifier on the supply (warm air stream) plenum. See Fig. 1.
- Select a location that cannot damage the air conditioner A-coil during installation.
- Do not locate the humidifier on the furnace body.
- Allow adequate clearance in front of and above the humidifier so you can easily remove the cover to perform routine maintenance.
 - Mount the humidifier at least 3 in. (78 mm) above the furnace body to allow adequate space for the solenoid valve and drain line.
 - Mount the humidifier in a conditioned space to prevent freezing.



M12808A

Fig. 1. Typical humidifier installation locations.

Selecting Water Supply Location

- Use either hard or soft water in the humidifier and either hot or cold water. The water flow rate, with the humidifier running, is 3.5 gal/hr (13 liters/hr) to flush the pad and provide moisture for evaporation.
- Make sure that the 20 ft (6.2m) of feed water tubing provided is adequate to connect the water supply (saddle valve) with the humidifier solenoid valve.

Locating Closest Floor Drain

- Select location with access to a floor drain to provide drainage for air conditioner condensation and humidifier drainage.

- If you do not have a drain available, we recommend that you install the Honeywell Whole House Drum or Disk Humidifier. Make sure that the 10 ft (3.1m) of drain tubing is adequate to reach from the humidifier drain connection to the floor drain.

Selecting Location for Sail Switch

- Select a location for the sail switch in the cold air return duct where the sail is in the direct path of an unrestricted air stream.
 - Sail switch detects when furnace fan is operating.
- Select a location where the air duct is at least 12 in. (305 mm) deep and 8 in. (203 mm) wide to allow operation of the sail without affecting the smooth flow of air in the duct.
 - Airflow at the location can be vertical (up or down) or horizontal.

IMPORTANT

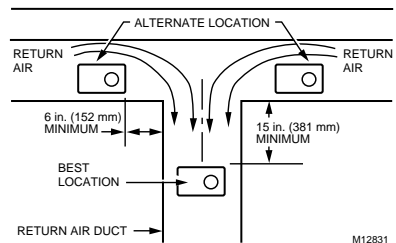
Mounting the S688 in warm air supply duct can reduce the sail life.

- Mount the switch at least 6 in. (152 mm) upstream from an elbow or junction, and at least 15 in. (381 mm) downstream from an elbow or junction.
- Locate the switch on the opposite side of the duct from the air entrance. (See Fig. 1-3 in S688 Installation Instructions.)

Selecting Location for Humidistat

- Select a location for the humidistat on the return plenum or on the wall in the living space.
 - Mounting on the return plenum is the easiest installation for the control wiring circuit.

For return duct mounting, the humidistat should be mounted upstream from the humidifier or bypass so that it is properly sensing the relative humidity of the living space. Locate the control at least 8 in. (203 mm) upstream from the humidifier in the return air duct. (See Fig. 2.)



M12831

Fig. 2. Selecting duct location for humidistat.

Locating Closest 120V Electrical Outlet

- Select location with access to an outlet. If not available, contact an electrician to have one installed.
- Make sure that the humidifier cord is adequate to reach from the humidifier to the outlet.
- Make sure that the 20 ft (6.2m) of thermostat wire is adequate to reach from the humidifier solenoid, to the sail switch, to the humidistat.

Installing the Humidifier

⚠ WARNING

Hazardous Voltage
Can cause personal injury or equipment damage.
 Do not cut or drill into any air conditioning or electrical accessory.

⚠ CAUTION

Sharp Edges Installation Hazard.
Can cause personal injury.
 Wear gloves and safety glasses.

1. Turn off power to the air handling system at the circuit breaker.
2. Draw a level line on the plenum in the location chosen for the humidifier. (Leveling assures optimal humidifier performance.)
3. **Locate the template (form number 69-1650 included in the box). For the HE220 model, cut out the template along the dotted line.**
4. **Tape the template in position and trace around the template.**
5. **Remove the template and carefully cut the rectangular opening.**
6. Disassemble the humidifier; remove the cover and take out the humidifier pad assembly. See Fig. 3.

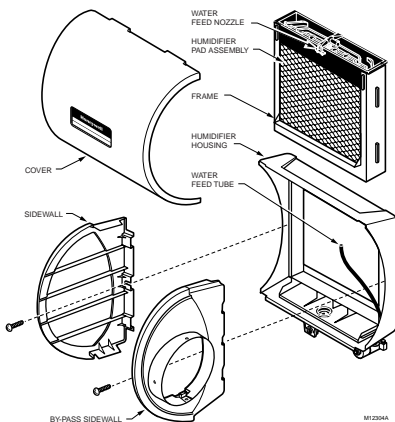


Fig. 3. Disassembling humidifier.

7. Make sure the humidifier housing is level, then position it in the opening so the plastic tabs are in place on the *lower sheet metal edge* of the opening. Use pliers, as necessary, to flatten cut edges. See Fig. 4.

8. Secure the humidifier housing to the opening at the top and bottom using sheet metal screws.

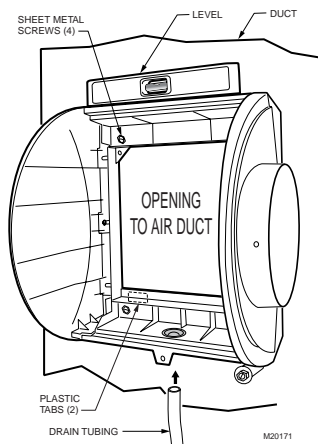


Fig. 4. Installing humidifier on duct.

9. Use the 6 in. (155 mm) starter collar as a template to mark the opening for the bypass.
10. Carefully cut the opening for a 6 in. (155 mm) starter collar. See Fig. 5. Use a drill, punch or awl to start the cut in the middle of the circle. Cut in an outward spiral to assist in controlling the cut.

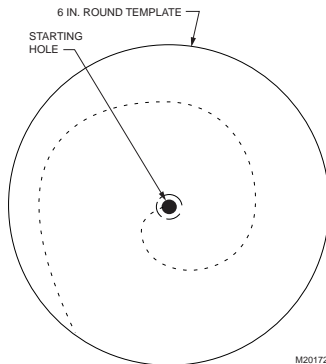


Fig. 5. Cutting bypass opening.

11. Assemble the summer shutoff damper into the starter collar. Verify that the damper rotates freely between the open and closed positions. Make sure the handle is accessible. Mark the damper Closed position as Summer and the Open position as Winter. See Fig. 6.

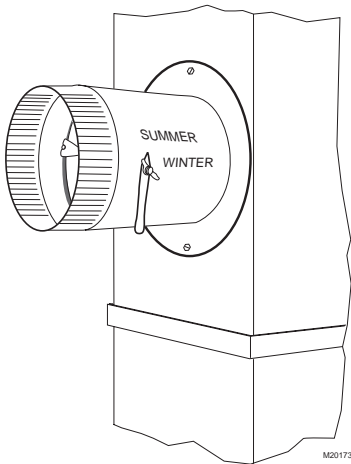


Fig. 6. Installing the starter collar.

12. Remove liner to expose foam adhesive. Position starter collar over opening.
13. Slide one end of the flexible ducting over the starter collar and secure with one of the connecting straps.
14. Insert the plain collar into the humidifier port and secure with sheet metal screws. Connect the flexible ducting over the collar and secure with a connecting strap. See Fig. 7.

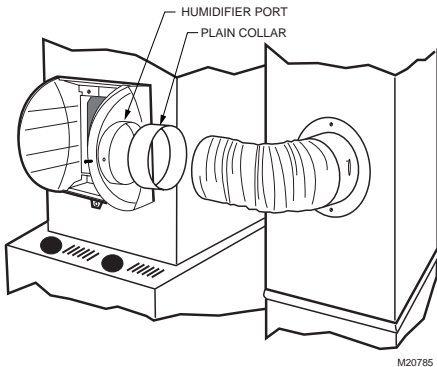


Fig. 7. Connecting bypass ducting.

15. Seal the duct connections with duct tape (not included).
16. Reinstall the humidifier pad assembly in the humidifier housing.
17. Hinge the cover in place and secure with the thumbscrew located at the bottom of the cover.

Connecting the Plumbing

Use hot or cold water and either hard or softened water in the humidifier.

1. Shut off the water.



CAUTION

Chemical Hazard.

Can cause personal injury or equipment damage.

Do not use any line connected to an air conditioner.

Do not use gas line.

2. Use the self-piercing saddle valve (included) to tap into the water supply line at the location selected. See Fig. 8. If tapping into galvanized pipe, drain line and pre-drill 3/17 in. tap for saddle valve.

NOTE: The saddle valve is not designed to regulate water flow. The valve is either open or closed.

IMPORTANT

To prevent debris from clogging the solenoid in-line filter, be sure to install the saddle valve handle pointing toward the ceiling.

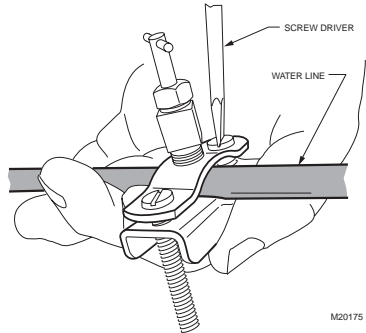


Fig. 8. Installing the saddle valve.

3. Use 1/4 in. (6 mm) OD tubing and connect the saddle valve to the inlet side of the solenoid valve on the humidifier (see Fig. 9).
 - a. Place the brass compression nut over the tubing.
 - b. Install brass insert into end of tubing.
 - c. Slide the plastic compression ring over the tubing. (Discard copper compression ring provided with valve.)

NOTE: To prevent leaking, use plastic (Delrin) sleeve rings with plastic tubing. Use copper sleeve rings only with copper tubing.

- d. Insert the tubing into the solenoid valve fitting and support the valve while tightening the compression nut.

NOTE: Do not over-tighten the compression nut. Moderate tightness prevents leaking.

- e. Repeat steps a. through d. for solenoid valve fitting.
- f. Secure tubing with clamps provided.

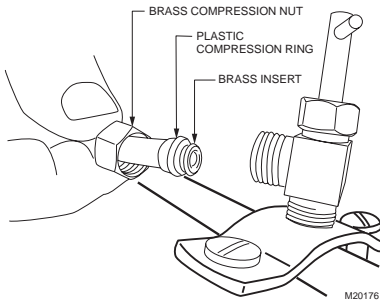


Fig. 9. Installing feed tubing.

4. Connect a 1/2 in. (13 mm) drain tube to the humidifier drain fitting and run to the floor drain (see Fig. 10).
 - a. Slide the drain clamp over the tubing.
 - b. Push the tubing over the drain nipple on the humidifier.
 - c. Hand-tighten the clamp around the tubing to secure the humidifier drain.
 - d. Fasten the drain tubing (can use duct tape) along the route to prevent movement and ensure downward slope for correct drainage.

NOTE: Cut tubing to correct length so the tubing terminates at the drain.

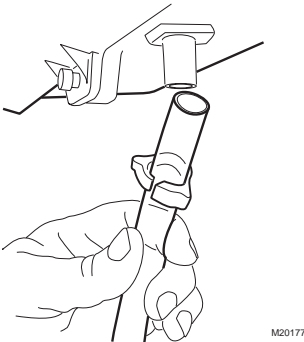


Fig. 10. Installing the drain tubing.

Installing the Sail Switch

Adapting Switch to Air Flow Direction

The S688A Sail Switch has two counterbalancing springs in place as shown in Fig 11. These springs offset the effect of gravity for air flow direction.

IMPORTANT

Do not use the sail switch with both springs attached. Be sure to select air flow direction and remove spring(s) not required for installation.

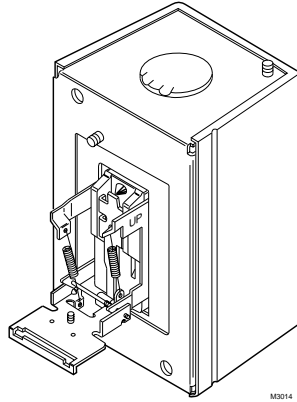


Fig. 11. Adapting sail switch to air flow direction or mounting position.

- **Vertical downward air flow:** Leave the spring in place that is attached to the bracket marked Down. Remove the spring that is attached to the bracket marked Up.
- **Vertical upward air flow:** Leave the spring in place that is attached to the bracket marked Up. Remove the spring that is attached to the bracket marked Down.
- **Horizontal air flow:** Remove both springs.

1. Mount the template (provided with the sail switch) at the desired location.

NOTE: Be sure the arrow (indicating air flow) points in the correct direction.

- a. For horizontal mounting, *level* the long dimension shown on the template.
- b. For vertical mounting, *plumb* the long dimension.
2. Cut the hole (indicated on the template) in the ductwork.
3. Center punch the screw holes indicated and drill out with a 1/8 in. (13 mm) drill.
4. Attach the sail to the switch as shown in Fig 12.

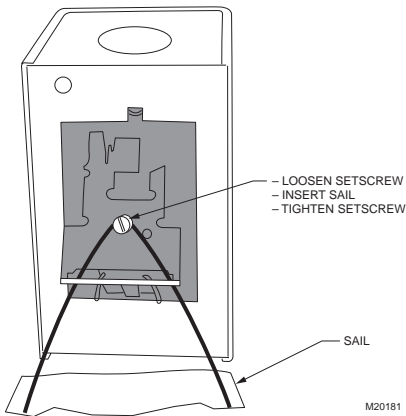


Fig. 12. Attaching sail to switch.

- Press together the sides of the wire loop. Insert the sail into the duct. (When in the Off position, the sail should point into the direction of airflow as shown in Fig.13.)

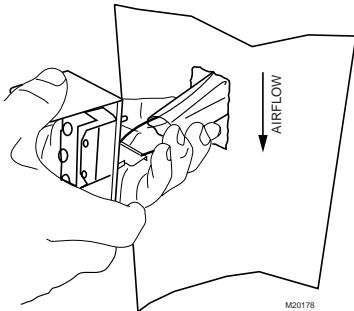


Fig. 13. Inserting sail switch in direction of airflow.

- Secure the switch by using the sheet metal screws provided.
- After wiring, snap on the cover.

Installing the Humidistat

Installing on Mounting Duct

- Apply the template to the duct location chosen for the humidistat. Make sure the template is level before drilling the holes.
- Refer to the template (provided with the H8908 Humidistat Installation Instructions) to drill the control assembly opening and mounting holes for the H8908.
- Remove the H8908 case from the base.
- Position the foam gasket on the H8908 base.
- Position the base on the duct with the arrow up.

- Secure the base to the duct using the four 1 in. (25 mm) mounting screws provided with humidistat.
- Connect the low-voltage wires to the leads and replace the H8908 case. See Fig. 14.

NOTE: For wall mounting instructions, see the H8908 Installation Instructions.

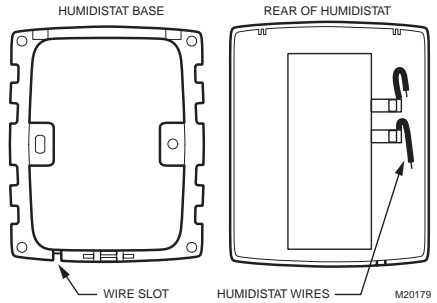


Fig. 14. Humidistat base and rear view.

WIRING



CAUTION

Hazardous Voltage.
Can cause personal injury or equipment damage.

Disconnect power supply before installing or servicing equipment.

IMPORTANT

All wiring must comply with applicable local code, ordinances and regulations.

Wire the humidifier solenoid valve, sail switch, humidistat and transformer. See Fig. 15.

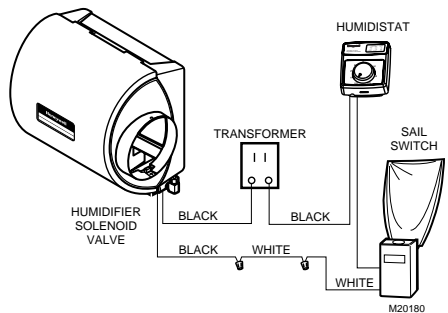


Fig. 15. Wiring the controls.

1. Run the two-strand thermostat wire from the humidifier to the humidistat, and from the humidistat to the sail switch.
2. Cut lengths of thermostat wire to reach between components, leaving adequate wire at both ends for connections.

NOTE: Humidistat and sail switch can be wired in any order.

3. At the humidifier, connect the black and white conductors to the two yellow humidifier wires. (The red wires from the humidifier are not used.)
4. At the humidistat, connect both black conductors to the two humidistat terminals. Use a wire nut to connect together the two white conductors.
5. At the sail switch, connect the black and white conductors to the Com and NO sail switch terminals (NC terminal is not used).

TESTING HUMIDIFIER OPERATION

Checklist

- Humidifier is level.
- Control wiring was reviewed using circuit diagram.
- Humidifier is plugged in.
- Feed line has no kinks.
- Drain line slopes continuously down and ends at floor drain.
- Water hose inside humidifier is connected to PerfectFlow™ water distribution tray.

After installation use the following steps to check the humidifier operation:

1. Turn on the power and the water supply
2. Turn the H8908 Humidistat to On and turn on the heat by setting the thermostat to 10°F (6°C) above room temperature.

IMPORTANT

The furnace blower must be on to activate the humidifier.

3. Make sure that water is flowing out of the drain hose. If water does not flow, see Troubleshooting Your Humidifier section.
4. Check for leaks.
5. Reset the thermostat and H8908 Humidistat to a comfortable setting for automatic operation.

OPERATION

How Your Humidifier Works

Your Honeywell humidifier uses the principle that vapor (evaporated water) is created when warm air blows over a water-soaked area. As the vapor circulates, the relative humidity rises.

Your humidity control monitors the relative humidity and activates the humidifier accordingly. The humidifier has a water supply that dispenses water evenly over a humidifier pad. The warm dry air, from the furnace, passes over the humidifier pad and picks up the moist air to circulate it throughout your home.

Humidified air feels warmer and more comfortable so you may be able to lower your thermostat heating setpoint, which saves money on your heating fuel bills. The end result is that your humidifier gives you a comfortable environment that is also energy efficient.

Controlling Your Humidity Settings

Your H8908 Humidistat controls your humidifier.

- Choose the humidity control setting using the combination of relative humidity/outdoor temperature setting scale on your humidity control dial.
- Match the dial setting to the outdoor temperature to optimize the humidity level while reducing the moisture condensation on your windows. See Table 2 to adjust the humidity control to the recommended setting.

NOTE: As the outside temperature drops, a lower humidity setting is recommended to accommodate dewpoint effects. These settings should reduce the accumulation of moisture and ice on windows and other areas of the home.

- Adjust the humidity control setting to adjust for indoor activities such as cooking, showering and clothes drying, which can cause excessive levels of humidity that can accumulate moisture on your windows.

NOTE: If these activities persist for more than a few hours, set the humidity control to the lowest setting to turn off the humidifier. If the condition does not improve, ventilate your home to remove the moisture.

Table 2. Setting Your Humidistat.

When Outside Temperature is:	Use This Control Setting:
-20°F (-29°C)	15
-10°F (-23°C)	20
0°F (-18°C)	25
+10°F (-12°C)	30
+20°F (-7°C)	35
Above 20°F (-7°C)	40

MAINTAINING YOUR HUMIDIFIER

A regular maintenance program prolongs the life of your humidifier and makes your home more comfortable. The frequency of cleaning depends on the condition of your water.

You can use either hard or soft water in your humidifier, but hard water mineral deposits are more difficult to clean than soft water deposits.

Use the following procedure to clean your Honeywell humidifier.

⚠ WARNING

Serious Personal Injury Hazard.
Can cause electrical shock and injury from moving parts.
Disconnect power and shut off water supply before removing cover.

IMPORTANT

Never oil any part of the humidifier.

Every 1 to 3 Months (Depending on Water Quality)

1. Disconnect the power and turn off the humidifier water supply.
2. Remove the humidifier cover. See Fig. 16.
3. Remove the humidifier pad assembly from the humidifier by grasping the top of the tray and pulling it toward you.
4. Pull one side of the humidifier pad assembly frame toward you and remove the tray from the frame.
5. Gently pinch the water nozzle catches inward until you can lift the water nozzle off the tray.
6. Slide the humidifier pad out of the frame.
7. Carefully remove any mineral deposits from the tray and frame. Be sure the frame drain hole has nothing blocking it.
8. Disconnect the drain hose from the drain fitting on the bottom of the humidifier housing.
9. Clean the drain fitting, if necessary.
10. Bend the drain hose to loosen any mineral deposits.
11. Flush the drain hose with pressurized water (a running tap) to clean the hose.
12. Reattach the drain hose to the drain fitting.
13. Slide the humidifier pad back into the frame.
14. Snap the water nozzle back on the tray.
15. Reattach the tray to the frame.
16. Place the humidifier pad assembly in the humidifier housing and press until the assembly is completely seated. Be careful not to pinch or kink the water feed tube.
17. Replace the humidifier cover.
18. Verify the humidifier operation by following the steps in the Checking Your Humidifier for Correct Operation section.

End of Humidification Season

- Clean the humidifier and shut it off at the end of the heating season.
- Use Every 1 to 3 Months section steps to shut down for the season.

IMPORTANT

Be sure the humidifier power is off.

Vacation

- When leaving on vacation, turn off the humidifier water supply and your humidistat.
- When you return, turn on the humidifier water supply and reset your humidistat.

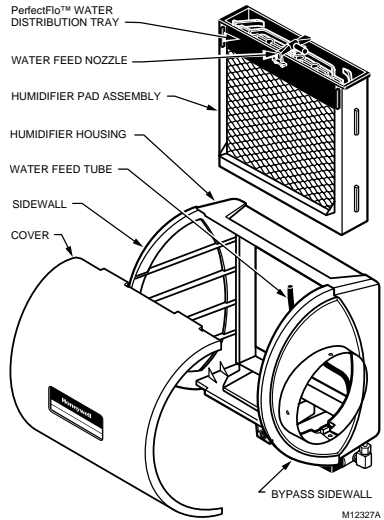


Fig. 16. Cleaning your humidifier.

CHECKING YOUR HUMIDIFIER FOR CORRECT OPERATION

After winter startup or servicing, use the following steps to check your humidifier operation:

1. Turn on the humidifier power and water supply.
2. Turn the humidistat to its highest setting and set the thermostat to 10°F (6°C) above the room temperature.
3. Observe that water is flowing out of the drain hose.

NOTE: The furnace blower must be running to activate the humidifier.

4. Reset the thermostat and humidistat to a comfortable setting for automatic operation.

TROUBLESHOOTING YOUR HUMIDIFIER

Table 3. Troubleshooting Humidifier.

Problem	What to look for	What to do
Water leakage	Leaking joints.	Shut off water. Tighten connections.
	Brass tubing inserts	Verify that brass tubing inserts are used.
	Saddle valve leaking.	Verify rubber pad is installed on saddle valve.
No water to drain.	Electrical	Verify control circuit wiring. Check all connections.
	Humidistat	Turn humidistat up and down and listen for contact to click.
	Humidifier power	Verify that outlet has power.
	Sail switch	Remove sail cover; turn on furnace fan and listen for faint click. Verify that sail can move freely in duct; check sail switch instructions to trim sail, if necessary.
	Solenoid	After verifying other wiring components, turn on furnace fan, turn humidistat up and down, and listen for solenoid to click.
	Plumbing	Verify plumbing connections. Check for kinks.
	Saddle valve	Verify that needle pierces water line and then backs out needle to open valve.
	Humidifier	Remove cover and verify that water flows into distribution tray.
	Drain tubing	Verify no obstructions.
Air leakage	Check duct joints	Seal with duct tape.
Low humidity	Furnace blower not operating.	<ul style="list-style-type: none"> • Reset circuit breaker or check for blown fuse. • Check that the furnace power is on. • Check all external wiring connections. • Check the humidity control setting. • Call a professional heating contractor.
	Rapid air changes. Drafts (cold air is dry and is an added load to the humidifier).	<ul style="list-style-type: none"> • Keep doors and windows closed. • Close fireplace damper when not in use. • Keep exhaust fan running time to a minimum. • Seal around doors and windows.
High humidity	Condensation on walls.	<ul style="list-style-type: none"> • Turn off humidity control and water until condensation is completely evaporated.
	Heavy condensation on windows.	<ul style="list-style-type: none"> • Turn humidity control down low enough to eliminate condensation caused by moisture from bathing, mopping, cooking, etc. If moisture persists, more ventilation is needed.

LIMITED ONE-YEAR WARRANTY

Honeywell warrants this product, excluding humidifier pad, to be free from defects in the workmanship or materials, under normal use and service, for a period of one (1) year from the date of purchase by the consumer. If, at any time during the warranty period, the product is defective or malfunctions, Honeywell shall repair or replace it (at Honeywell's option) within a reasonable period of time.

If the product is defective, return it, with a bill of sale or other dated proof of purchase, to the retailer where you purchased it.

This warranty does not cover removal or reinstallation costs. This warranty shall not apply if it is shown by Honeywell that the defect or malfunction was caused by damage which occurred while the product was in the possession of a consumer.

Honeywell's sole responsibility shall be to repair or replace the product within the terms stated above. HONEYWELL SHALL NOT BE LIABLE FOR ANY LOSS OR DAMAGE OF ANY KIND, INCLUDING ANY INCIDENTAL OR CONSEQUENTIAL DAMAGES RESULTING, DIRECTLY OR INDIRECTLY, FROM ANY BREACH OF ANY WARRANTY, EXPRESS OR IMPLIED, OR ANY OTHER FAILURE OF THIS PRODUCT. Some states do not allow the exclusion or limitation of incidental or consequential damages, so this limitation may not apply to you.

THIS WARRANTY IS THE ONLY EXPRESS WARRANTY HONEYWELL MAKES ON THIS PRODUCT. THE DURATION OF ANY IMPLIED WARRANTIES, INCLUDING THE WARRANTIES OF MERCHANTABILITY AND FITNESS FOR A PARTICULAR PURPOSE, IS HEREBY LIMITED TO THE ONE YEAR DURATION OF THIS WARRANTY. Some states do not allow limitations on how long an implied warranty lasts, so the above limitation may not apply to you.

This warranty gives you specific legal rights, and you may have other rights which vary from state to state.

If you have any questions concerning this warranty, please write to Honeywell Customer Care, 1885 Douglas Drive, Minneapolis, MN55422. In Canada, write Retail Products ON15-02H, Honeywell Limited/Honeywell Limitée, 35 Dynamic Drive, Scarborough, Ontario M1V 4Z9.

Honeywell

Automation and Control Solutions

Honeywell
1985 Douglas Drive North
Golden Valley, MN 55422

Honeywell Limited-Honeywell Limitée
35 Dynamic Drive
Scarborough, Ontario
M1V 4Z9



Humidificateurs HE220 et HE260 et trousse d'installation

INSTRUCTIONS D'INSTALLATION/MANUEL DU PROPRIÉTAIRE

BIENVENUE...

dans un environnement tout confort, où l'air est humidifié. Avec votre humidificateur Honeywell, vous constaterez que votre peau sera moins sèche. Vous remarquerez aussi, de jour en jour, une diminution de l'irritation de votre gorge et de vos voies nasales causée par les allergies et l'asthme.

Vous venez de faire le premier pas pour éliminer le phénomène de décharge électrique lorsque vous marchez sur une moquette, puis touchez le téléviseur, l'ordinateur, une poignée de porte en métal ou votre animal. Enfin, l'air humidifié fait toute la différence car il préserve également les meubles et les boiseries.

Félicitations ! En rendant votre maison plus confortable, vous venez de réaliser un investissement important.

APPLICATION

Cette trousse comprend un humidificateur HE220 ou HE260 et un humidistat H8908 de Honeywell ainsi que tous les accessoires nécessaires à l'installation.

INSTALLATION

Avant d'installer ce produit

Il est important d'identifier tous les accessoires nécessaires (fournis) énumérés au Tableau 1 et d'avoir sous la main les bons outils.

Accessoires nécessaires (fournis)

Tableau 1. Accessoires nécessaires.

Quantité	Accessoires
0,93 m (3 pi)	Gaines de dérivation comprenant : Gaine flexible de 155 mm (6 po) diam. Collet de raccordement (à bride) Collet lisse Registre de fermeture pour l'été Courroies de fixation (2)
6,2 m (20 pi)	Fil de thermostat à deux brins, grosseur 18.
3,1 m (10 pi)	Tuyau d'arrivée d'eau 6,35 mm (1/4 po) diam. ext.
3,1 m (10 pi)	Tuyau de vidange 12,7 mm (1/2 po) diam.
1 sac	Quincaillerie de raccordement et de fixation : Serre-fils (4) Vis à tôle n° 8 (18) Bride de tuyau de vidange Brides de fixation du tuyau d'arrivée d'eau (6) Garnitures en laiton (2) Anneaux de compression en plastique (2)
1	Interrupteur à ailette
1	Humidistat H8908
1 sac	Ensemble robinet-vanne à étrier : Robinet-vanne à étrier et bride supérieure (1) Bride inférieure filetée (1) Boulons (2) Joint en caoutchouc (1) Garniture en laiton (1) Douille en plastique (1)

Outils nécessaires

Les outils nécessaires à l'installation :

- Cisailles à tôle
- Tournevis
- Clé ouverte ou réglable
- Perceuse ou poinçon
- Niveau



Choix du meilleur endroit pour l'humidificateur

MISE EN GARDE

Risques liés à une température ou une pression statique élevée.

Peut causer des dommages matériels ou endommager l'équipement.

Installer l'humidificateur dans un endroit où la température ambiante se situe entre 0° C (32 °F) et 71 °C (160 °F).

Ne pas installer l'humidificateur dans un endroit exposé au gel.

S'assurer que la pression statique de l'alimentation dans le plenum ne dépasse pas 0,4 po C.E. et que la pression de l'eau ne dépasse pas 124 psi.

- Déterminer l'endroit où installer l'humidificateur sur le plenum (flux d'air chaud). Voir la Fig. 1.
- S'assurer qu'à l'endroit choisi, le serpentin en A de l'appareil de climatisation ne risque pas d'être endommagé au cours de l'installation.
- Ne pas installer l'humidificateur sur le boîtier de l'appareil de chauffage.
- S'assurer qu'il y a suffisamment d'espace devant l'humidificateur et au-dessus pour enlever le couvercle et faire l'entretien.
 - Installer l'humidificateur au moins 78 mm (3 po) au-dessus du boîtier de l'appareil de chauffage afin de laisser un espace suffisant pour le montage de l'électrovanne et du tuyau de vidange.
 - Installer l'humidificateur dans un endroit où l'air est conditionné pour prévenir le gel.

débit d'eau nécessaire pour imbiber l'écran évaporateur et transformer l'eau en vapeur est de 13 litres/h (3,5 gal/h) lorsque l'humidificateur est en marche.

- S'assurer que le tuyau d'arrivée d'eau de 6,2 m (20 pi) fourni permet de raccorder l'alimentation d'eau (robinet-vanne à étrier) à l'électrovanne de l'humidificateur.

Repérage du siphon de sol le plus près

- Choisir un endroit avec accès au siphon de sol pour l'évacuation de la condensation du climatiseur et la vidange de l'humidificateur.
- S'il n'y a pas de siphon à proximité, il est préférable d'installer l'humidificateur central à tambour ou à disque de Honeywell. S'assurer que le tuyau de vidange de 3,1 m (10 pi) est suffisamment long et permet de raccorder le tuyau de vidange de l'humidificateur au siphon de sol.

Choix de l'emplacement de l'interrupteur à ailette

- Choisir un endroit dans la gaine de reprise d'air froid où l'interrupteur à ailette sera directement et pleinement exposé au flux d'air.
 - L'interrupteur à ailette détecte si le ventilateur de l'appareil de chauffage est en marche.
- Choisir un endroit où la gaine d'air mesure au moins 305 mm (12 po) de hauteur et 203 mm (8 po) de largeur afin que l'ailette en marche ne nuise pas à la circulation de l'air dans la gaine.
 - Le flux d'air à l'endroit choisi pour l'interrupteur à ailette peut être vertical (vers le haut ou vers le bas) ou horizontal.

IMPORTANT

La durée de l'interrupteur à ailette pourrait être réduite si le S688 est installé dans la gaine d'air chaud.

- Monter l'interrupteur à au moins 152 mm (6 po) en amont d'un coude ou d'un raccordement, et à au moins 381 mm (15 po) en aval d'un coude ou d'un raccordement.
- Installer l'interrupteur du côté opposé au flux d'air dans la gaine. (Voir les Fig. 1-3, dans les Instructions d'installation du S688.)

Choix de l'emplacement de l'humidistat

- Installer l'humidistat dans le plenum de reprise ou sur le mur d'une pièce occupée.
 - L'installation du circuit de câblage des commandes est beaucoup plus simple lorsque l'humidistat est installé dans le plenum de reprise.

Dans la gaine de reprise, l'humidistat doit être installé en amont de l'humidificateur ou en dérivation de manière qu'il puisse détecter avec exactitude l'humidité relative dans la pièce. Installer l'appareil à au moins 203 mm (8 po) en amont de l'humidificateur dans la gaine de reprise. (Voir la Fig. 2.)

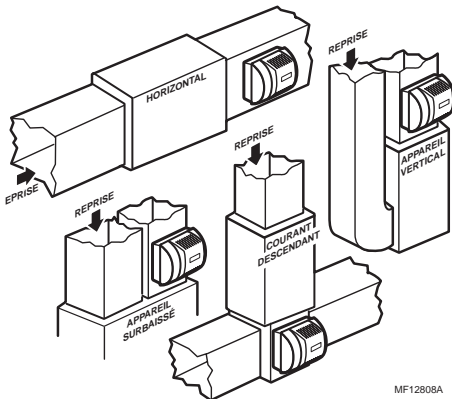


Fig. 1. Emplacements types de l'humidificateur.

Choix de l'endroit d'arrivée d'eau

- L'humidificateur fonctionne avec de l'eau dure ou de l'eau douce. L'eau peut être chaude ou froide. Le

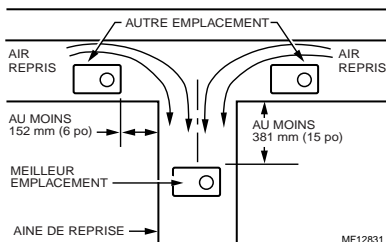


Fig. 2. Choix de l'endroit où installer l'humidistat dans la gaine.

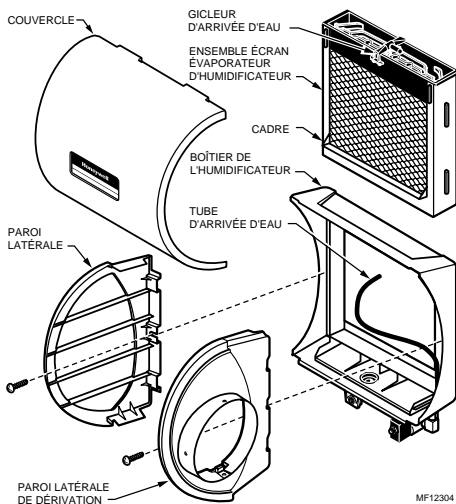


Fig. 3. Démontage de l'humidificateur.

Repérage de la prise électrique 120 V la plus près

- Choisir un endroit près d'une prise. S'il n'y a pas de prise, en faire installer une par un électricien.
- S'assurer que le cordon de l'humidificateur est suffisamment long et qu'il peut être branché dans la prise.
- S'assurer que le fil de thermostat de 6,2 m (20 pi) est suffisamment long pour être branché de l'électrovanne de l'humidificateur à l'interrupteur à ailette et à l'humidistat.

Installation de l'humidificateur

⚠ AVERTISSEMENT

Risque de choc électrique.
Peut causer des blessures ou des dommages matériels.
 Ne pas couper ou percer un appareil électrique ou de conditionnement d'air.

⚠ MISE EN GARDE

Arêtes vives présentant un danger au moment de l'installation.
Peut causer des blessures.
 Porter des gants et des lunettes de sécurité.

1. Couper l'alimentation du système de conditionnement de l'air dans le tableau à disjoncteurs.
2. Tracer une ligne de niveau sur le plenum, à l'endroit où l'humidificateur sera installé. (La mise au niveau assure le rendement optimal de l'humidificateur.)
3. Prendre le gabarit dans la boîte (pièce 69-1950). Dans le cas du modèle HE220, découper le gabarit suivant la ligne pointillée.
4. Fixer le gabarit avec du ruban adhésif et en tracer le contour.
5. Enlever le gabarit et découper soigneusement une ouverture rectangulaire.
6. Démontez l'humidificateur, enlever le couvercle et retirer l'ensemble écran évaporateur. Voir la Fig. 3.

7. S'assurer que le boîtier de l'humidificateur est de niveau, puis le placer de manière que les attaches de plastique soient sur l'arête de la tôle inférieure de l'ouverture. S'il y a lieu, aplatir les bords à l'aide de pinces. Voir la Fig. 4.
8. Fixer le boîtier de l'humidificateur dans la partie supérieure et la partie inférieure de l'ouverture à l'aide de vis à tôle.

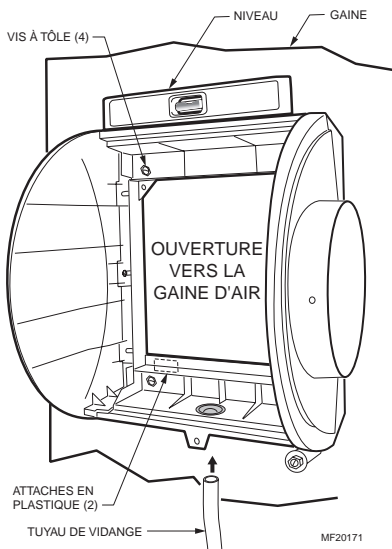


Fig. 4. Installation de l'humidificateur sur une gaine.

9. Utiliser comme gabarit le collet de raccordement de 155 mm (6 po); marquer l'ouverture de la dérivation.
10. Découper soigneusement une ouverture pour le collet de raccordement de 155 mm (6 po). Voir la Fig. 5. À l'aide d'une perceuse ou d'un poinçon, percer un trou au centre du cercle. Pour découper plus facilement l'ouverture, faire une première ouverture, plus petite, en spirale.

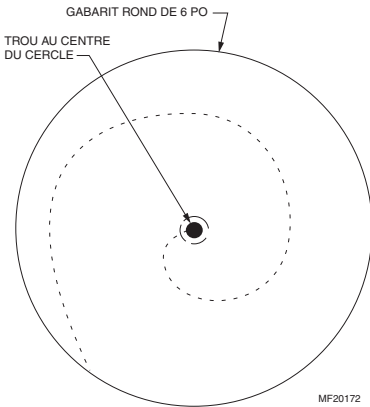


Fig. 5. Découpe de l'ouverture de la dérivation.

11. Assembler le registre de fermeture pour l'été dans le collet de raccordement. Vérifier si le registre passe facilement de la position ouverte à la position fermée. S'assurer que la poignée est accessible. Indiquer que la position fermée correspond à Été et la position ouverte, à Hiver. Voir la Fig. 6.

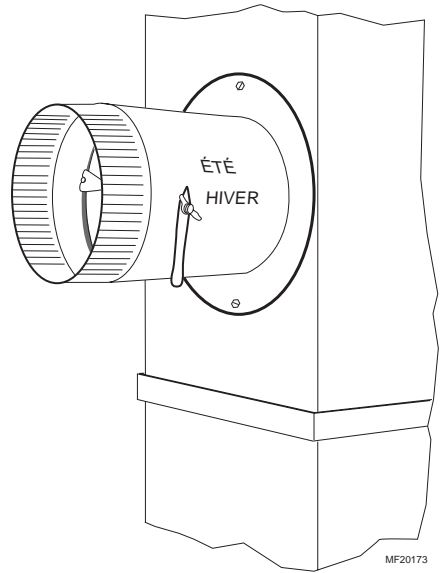


Fig. 6. Installation du collet de raccordement.

12. Enlever la pellicule sur l'adhésif en mousse. Placer le collet de raccordement autour de l'ouverture.
13. Glisser un bout de la gaine flexible sur le collet de raccordement et l'attacher au moyen d'une courroie de fixation.
14. Introduire le collet lisse dans l'orifice de l'humidificateur et le fixer à l'aide de vis à tôle. Glisser la gaine flexible sur le collet et l'attacher avec une courroie de fixation. Voir la Fig. 7.

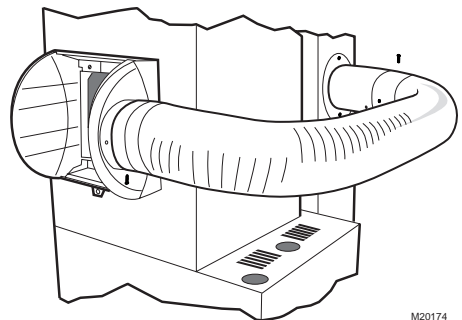


Fig. 7. Raccordement de la gaine de dérivation.

15. Sceller les raccords de la gaine avec du ruban à gaine (non fourni).
16. Remettre l'ensemble écran évaporateur dans le boîtier de l'humidificateur.
17. Remettre le couvercle dans les fentes et le fixer au moyen de la vis à oreilles au bas du couvercle.

Raccordement des tuyaux

L'humidificateur fonctionne avec de l'eau chaude ou de l'eau froide et avec de l'eau dure ou de l'eau douce.

1. Fermer le robinet d'arrêt.

⚠ MISE EN GARDE

**Produits chimiques dangereux.
Peut causer des blessures ou des dommages matériels.**

Ne pas utiliser la tuyauterie reliée au système de climatisation.

Ne pas utiliser de canalisations de gaz.

2. Utiliser le robinet-vanne à étrier autopercuteur (fourni) pour percer le tuyau d'arrivée d'eau à l'endroit choisi. Voir la Fig. 8. Si le tuyau est en acier galvanisé, vider la canalisation et percer un trou de 3/17 po pour le robinet-vanne à étrier.

REMARQUE : Le robinet-vanne à étrier ne doit pas servir de régulateur de débit d'eau. Le robinet-vanne doit être soit ouvert soit fermé.

IMPORTANT

Pour éviter que des débris ne bloquent le filtre sur la canalisation de l'électrovanne, il est important d'installer la poignée du robinet-vanne à étrier de sorte qu'elle pointe vers le plafond.

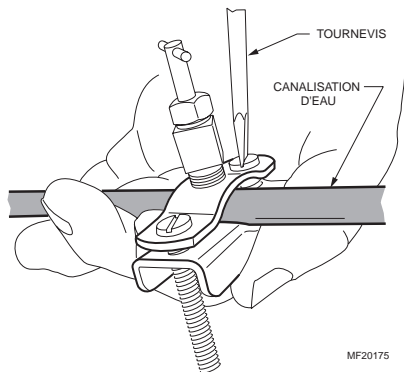


Fig. 8. nstallation du robinet-vanne à étrier.

3. Utiliser un tuyau de 6 mm (1/4 po) de diam. ext. pour raccorder le robinet-vanne à étrier à l'entrée de l'électrovanne sur l'humidificateur. (Voir la Fig. 9.)

- a. Placer l'écrou à compression en laiton sur le tuyau.
- b. Placer la garniture en laiton à l'extrémité du tuyau.
- c. Glisser l'anneau de compression en plastique sur le tuyau. (Mettre de côté l'anneau de compression en cuivre fourni avec le robinet.)

REMARQUE : Pour empêcher les fuites, avec des tuyaux en plastique, utiliser des anneaux en plastique (Delrin). N'utiliser des anneaux en cuivre qu'avec des tuyaux en cuivre.

- d. Insérer le tuyau dans le raccord de l'électrovanne et serrer l'écrou de compression tout en prenant soin de soutenir la vanne.

REMARQUE : Ne pas trop serrer l'écrou à compression. Un serrage moyen empêche les fuites.

- e. Répéter les étapes « a » à « d » pour le raccord de l'électrovanne.
- f. Fixer le tuyau à l'aide des brides fournies.

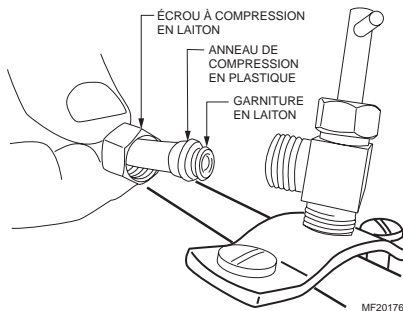
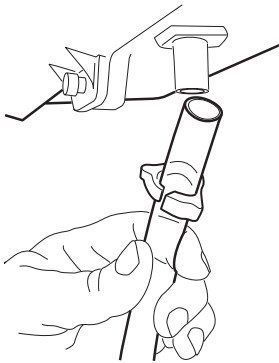


Fig. 9. Installation du tuyau d'arrivée d'eau.

4. Relier un tuyau de vidange de 13 mm (1/2 po) au raccord de vidange de l'humidificateur et le diriger vers le siphon de sol (voir la Fig. 10.)
 - a. Glisser la bride du tuyau de vidange sur le tuyau.
 - b. Passer le tuyau par-dessus le raccord fileté du tuyau de vidange de l'humidificateur.
 - c. Serrer manuellement la bride sur le tuyau pour bien le fixer sur l'humidificateur.
 - d. Attacher le tuyau de vidange avec du ruban pour canalisations, par exemple, afin d'empêcher qu'il ne bouge. Le tuyau doit présenter une pente descendante pour assurer une vidange efficace.

REMARQUE : Couper le tuyau à la longueur nécessaire pour qu'il atteigne le siphon.



M20177

Fig. 10. Installation du tuyau de vidange.

- **Courant d'air vertical, vers le bas** : Laisser en place le ressort attaché au support marqué «Down». Enlever le support attaché au support marqué «Up»
- **Courant d'air vertical, vers le haut** : Laisser en place le ressort attaché au support marqué «Up». Enlever le support attaché au support marqué «Down».
- **Courant d'air horizontal** : Enlever les deux ressorts.

1. Placer le gabarit fourni avec l'interrupteur à ailette à l'endroit choisi.

REMARQUE : S'assurer que la flèche indiquant le sens de la circulation de l'air pointe dans la bonne direction.

- a. Dans le cas d'un montage horizontal, placer le long côté horizontalement à l'aide d'un niveau.
 - b. Dans le cas d'un montage vertical, placer le long côté verticalement à l'aide d'un niveau.
2. Percer le trou (indiqué sur le gabarit) dans la gaine.
 3. À l'aide d'un pointeau, faire les trous de vis indiqués, puis avec une perceuse, faire des trous de 13 mm (1/8 po).
 4. Fixer l'ailette à l'interrupteur de la façon indiquée à la Fig. 12.

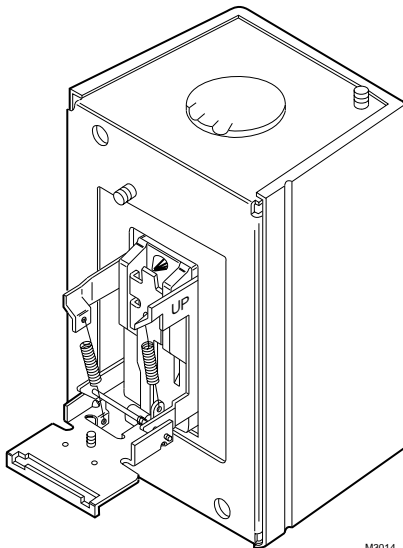
Installation de l'interrupteur à ailette

Installation de l'interrupteur en fonction de la direction du flux d'air

L'interrupteur à ailette S688A comprend deux ressorts d'équilibrage (Voir la Fig. 11). Ces ressorts servent à compenser l'effet de gravité en fonction de la direction du flux d'air.

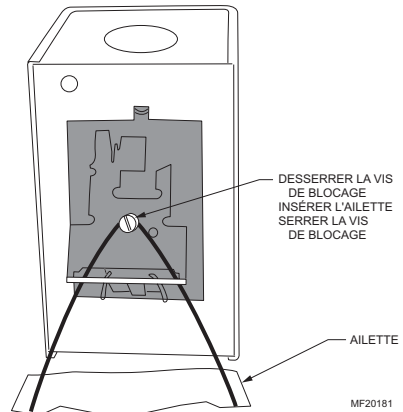
IMPORTANT

Ne pas laisser les deux ressorts attachés. Sélectionner le sens de la circulation de l'air, puis enlever le ou les ressorts non nécessaires.



M3014

Fig. 11. Installation de l'interrupteur à ailette suivant la direction du flux d'air ou la position de montage.



MF20181

Fig. 12. Fixation de l'ailette à l'interrupteur.

5. Presser ensemble les côtés du fil métallique. Introduire l'ailette dans la gaine. (En position Off, l'ailette doit pointer dans la direction du flux d'air comme à la Fig. 13.

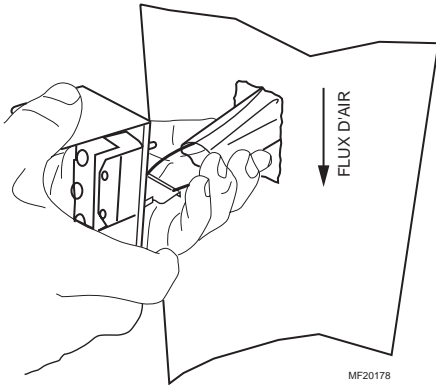


Fig. 13. Introduction de l'interrupteur à ailette suivant la direction du flux d'air.

6. Fixer l'interrupteur au moyen des vis à pression fournies.
7. Une fois l'installation terminée, enclencher le couvercle.

Installation de l'humidistat

Montage sur gaine

1. Placer le gabarit sur la gaine, à l'endroit où sera installé l'humidistat. S'assurer que le gabarit est de niveau avant de percer les trous.
2. Utiliser le gabarit fourni avec les instructions d'installation de l'humidistat H8908 pour percer l'ouverture pour les appareils et les trous de montage du H8908.
3. Retirer le boîtier du socle du H8908.
4. Placer le joint en mousse sur le socle du H8908.
5. Placer le socle sur la gaine, la flèche vers le haut.
6. Fixer le socle sur la gaine à l'aide des quatre vis de montage de 25 mm (1 po) fournies avec l'humidistat.
7. Connecter les fils basse tension aux conducteurs et remettre le boîtier de H8908. Voir la Fig. 14.

REMARQUE : Pour une installation au mur, consulter les instructions d'installation du H8908.

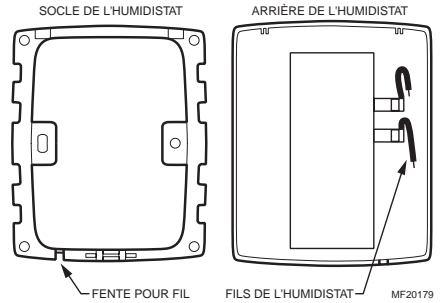


Fig. 14. Socle et vue arrière de l'humidistat.

CÂBLAGE



MISE EN GARDE

Risque de choc électrique. Peut causer des blessures ou des dommages matériels.
Couper l'alimentation électrique avant de faire l'installation ou l'entretien.

IMPORTANT

Tout le câblage doit être conforme aux codes et règlements locaux.

Câbler l'électrovanne de l'humidificateur, l'interrupteur à ailette, l'humidistat et le transformateur. Voir la Fig. 15.

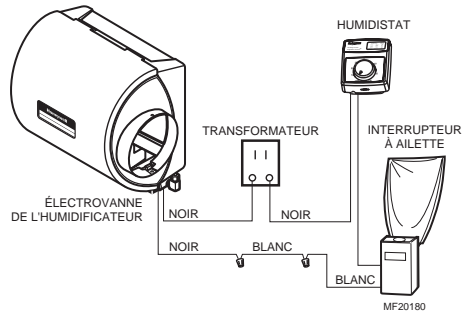


Fig. 15. Câblage des appareils.

1. Passer le fil de thermostat à deux brins de l'humidificateur à l'humidistat et de l'humidistat à l'interrupteur à ailette.
2. Couper des longueurs de fil à thermostat pour raccorder les éléments, en laissant suffisamment de fil à chaque extrémité pour les raccords.

REMARQUE : Il n'y a pas d'ordre à suivre pour le câblage de l'humidistat et de l'interrupteur à ailette.

- À l'humidificateur, raccorder les conducteurs blanc et noir aux deux fils jaunes de l'humidificateur. (Les fils rouges de l'humidificateur ne servent pas.)
- À l'humidistat, raccorder les deux conducteurs noirs aux deux bornes de l'humidistat. Connecter ensemble les deux conducteurs blancs à l'aide d'un serre-fils.
- À l'interrupteur à ailette, raccorder les conducteurs noir et blanc aux bornes Com et NO de l'interrupteur à ailette. (La borne NC ne sert pas.)

de chauffage passe sur l'écran évaporateur de l'humidificateur et capte l'air humide pour le faire circuler dans la maison.

L'air humidifié est plus chaud et il assure un meilleur confort. Le point de consigne du thermostat peut donc être abaissé, ce qui permet de diminuer les coûts de chauffage. Avec un humidificateur, la maison devient confortable et éconergétique.

VÉRIFICATION DU FONCTIONNEMENT DE L'HUMIDIFICATEUR

LISTE DE VÉRIFICATION

- L'humidificateur est de niveau.
- Le câblage des commandes a été vérifié à l'aide du schéma de circuit.
- L'humidificateur est branché.
- Le tuyau d'arrivée n'est pas pincé.
- Le tuyau de vidange présente une pente continue vers le bas et se rend au siphon de sol.
- Le tuyau d'eau à l'intérieur de l'humidificateur est raccordé au plateau de distribution d'eau PerfectFlow^{MC}.

Après l'installation, vérifier le fonctionnement de l'humidificateur en suivant les étapes ci-dessous :

- Mettre en marche l'humidificateur et ouvrir l'arrivée d'eau.
- Régler l'humidistat H8908 à ON et régler le thermostat pour qu'il indique 6 °C (10 °F) de plus que la température de la pièce.

IMPORTANT

Le ventilateur de l'appareil de chauffage doit être en marche pour que l'humidificateur fonctionne.

- S'assurer que l'eau s'écoule du tuyau de vidange. Dans le cas contraire, se reporter à la section Dépannage de l'humidificateur.
- Vérifier s'il y a des fuites.
- Régler de nouveau le thermostat et l'humidistat H8908 à une température de confort pour les faire fonctionner automatiquement.

FONCTIONNEMENT

Fonctionnement de l'humidificateur

L'humidificateur fonctionne selon le principe suivant : la vapeur (eau évaporée) se forme lorsque l'air chaud souffle dans un endroit où il y a de l'eau; en circulant, la vapeur fait augmenter l'humidité relative.

L'humidistat vérifie l'humidité relative et, s'il y a lieu, fait fonctionner l'humidificateur. Le système d'arrivée d'eau réparti uniformément l'eau sur l'écran évaporateur de l'humidificateur. L'air sec et chaud qui sort de l'appareil

Réglage de l'humidificateur

L'humidistat H8908 commande l'humidificateur.

- Régler l'humidistat à l'aide de l'échelle combinée d'humidité relative et de température extérieure.
- Régler le cadran en fonction de la température extérieure afin d'optimiser le niveau d'humidité et d'éliminer la condensation dans les fenêtres. (Consulter le Tableau 2 pour sélectionner le réglage recommandé.)

REMARQUE : Lorsque la température extérieure baisse, le réglage recommandé doit être abaissé de manière à tenir compte du point de rosée. Les réglages recommandés devraient permettre de réduire l'accumulation d'humidité et de glace dans les fenêtres et ailleurs dans la maison.

- Le réglage de l'humidificateur doit être fait en fonction des activités à l'intérieur, notamment la cuisson, les douches et le séchage des vêtements. Ces activités peuvent produire une humidité excessive et être la cause de l'accumulation d'humidité dans les fenêtres.

REMARQUE : Si ces conditions durent plusieurs heures, régler l'humidistat à la valeur la plus basse pour arrêter l'humidificateur. S'il n'y a aucun changement, il faudrait ventiler la maison pour faire disparaître l'humidité.

Table 2. Réglage de l'humidistat.

Température extérieure	Réglage recommandé
-29 °C (-20 °F)	15
-23 °C (-10 °F)	20
-18 °C (0 °F)	25
-12 °C (+10 °F)	30
-7 °C (+20 °F)	35
Supérieure à -7 °C (20 °F)	40

ENTRETIEN DE L'HUMIDIFICATEUR

Un programme d'entretien à intervalles réguliers prolonge la durée de l'humidificateur et assure un meilleur confort. La fréquence de nettoyage varie selon la qualité de l'eau.

L'humidificateur peut fonctionner avec de l'eau dure ou de l'eau douce. Toutefois, les dépôts de sédiments d'eau dure sont plus difficiles à enlever que ceux d'eau douce.

Pour nettoyer l'humidificateur, suivre les étapes suivantes.

⚠ AVERTISSEMENT

**Risque de blessures graves.
Les pièces mobiles peuvent causer des chocs
électriques ou des blessures.**

Couper l'alimentation électrique et fermer l'arrivée d'eau avant d'enlever le couvercle.

IMPORTANT

Ne jamais lubrifier les pièces de l'humidificateur.

À intervalles de 1 à 3 mois (selon la qualité de l'eau)

1. Couper l'alimentation électrique et fermer l'arrivée d'eau de l'humidificateur.
2. Enlever le couvercle de l'humidificateur. Voir la Fig. 16.
3. Enlever l'ensemble écran évaporateur en tenant la partie supérieure du plateau et en le tirant vers soi.
4. Tirer vers soi un côté du cadre de l'ensemble écran évaporateur pour dégager le plateau du cadre.
5. Appuyer délicatement sur les cliquets du gicleur vers l'intérieur pour dégager le gicleur du plateau.
6. Glisser l'écran évaporateur de l'humidificateur vers l'extérieur du cadre.
7. Gratter soigneusement les dépôts de sédiments au fond du plateau et sur le cadre. S'assurer que l'orifice de vidange n'est pas bloqué.
8. Séparer le tuyau de vidange du raccord de vidange à la partie inférieure du boîtier de l'humidificateur.
9. Nettoyer le raccord de vidange s'il y a lieu.
10. Plier le tuyau de vidange pour décoller les dépôts de sédiments.
11. Rincer le tuyau de vidange avec de l'eau sous pression (eau du robinet) pour le nettoyer.
12. Replacer le tuyau de vidange sur le raccord de vidange.
13. Insérer l'écran évaporateur d'humidificateur dans le cadre.
14. Replacer le gicleur sur le plateau.
15. Remettre le plateau sur le cadre.
16. Mettre l'ensemble écran évaporateur d'humidificateur dans le boîtier de l'humidificateur en appuyant jusqu'à ce qu'il soit bien en place. S'assurer que le tuyau d'arrivée d'eau n'est ni écrasé ni plié.
17. Remettre le couvercle sur l'humidificateur.
18. Pour vérifier le fonctionnement de l'humidificateur, se reporter à la section Vérification du fonctionnement de l'humidificateur.

Fin de la saison d'humidification

- À la fin de la saison de chauffage, nettoyer et arrêter l'humidificateur.
- Pour arrêter l'appareil à la fin de la saison, suivre les étapes décrites à la section À intervalles de 1 à 3 mois.

IMPORTANT

S'assurer que l'appareil est en position arrêt.

Vacances

- Au moment de partir en vacances, fermer l'arrivée d'eau de l'humidificateur et mettre l'humidistat en position arrêt.
- Au retour, ouvrir l'arrivée d'eau de l'humidificateur et régler l'humidistat.

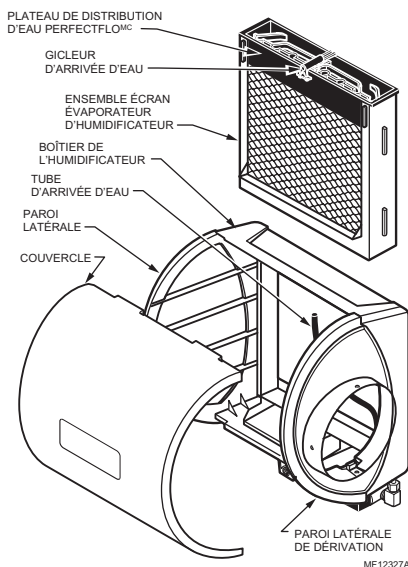


Fig. 16. Nettoyage de l'humidificateur.

VÉRIFICATION DU FONCTIONNEMENT DE L'HUMIDIFICATEUR

Après l'entretien ou la mise en marche pour l'hiver, vérifier le fonctionnement de l'humidificateur en suivant les étapes ci-dessous :

1. Mettre en marche l'humidificateur et ouvrir l'arrivée d'eau.
2. Régler l'humidistat à la valeur la plus élevée et régler le thermostat pour qu'il indique 6 °C (10 °F) de plus que la température de la pièce.
3. Vérifier si l'eau circule dans le tuyau de vidange.

REMARQUE : Le ventilateur de l'appareil de chauffage doit être en marche pour que l'humidificateur fonctionne.

4. Régler le thermostat et l'humidistat pour qu'ils fonctionnent automatiquement et assurent une température de confort.

DÉPANNAGE DE L'HUMIDIFICATEUR

Tableau 3. Dépannage de l'humidificateur.

Problème	Ce qu'il faut vérifier	Ce qu'il faut faire
Fuite d'eau	Joints qui fuient	Couper l'alimentation d'eau Resserrer les raccords.
	Garnitures de tuyau en laiton	Vérifier si les garnitures utilisées sont bien en laiton.
	Fuite du robinet-vanne à étrier	Vérifier si l'écran évaporateur en caoutchouc est installé sur le robinet-vanne à étrier.
L'eau ne s'écoule pas vers le siphon	Électricité	Vérifier le câblage du circuit de commande. Vérifier toutes les connexions.
	Humidistat	Abaisser et augmenter le réglage de l'humidistat et vérifier s'il se produit un bruit de contact.
	Alimentation de l'humidistat	Vérifier si la prise est sous tension.
	Interrupteur à ailette	Enlever le couvercle de l'aillette, mettre en marche le ventilateur de l'appareil de chauffage et vérifier s'il y a un dé clic. Vérifier si l'interrupteur de l'aillette bouge facilement dans la gaine; s'il y a lieu, tailler l'aillette en suivant les instructions.
	Électrovanne	Vérifier les autres éléments de câblage, puis mettre en marche le ventilateur de l'appareil de chauffage, abaisser et augmenter le réglage de l'humidistat et vérifier s'il y a dé clic de l'électrovanne.
	Tuyauterie	Vérifier les raccords des tuyaux. Vérifier si les tuyaux sont pincés.
	Robinet-vanne à étrier	Vérifier si le pointeau perce la ligne d'eau et revient en position pour ouvrir le robinet-vanne.
	Humidificateur	Enlever le couvercle et vérifier si l'eau s'écoule dans le plateau de distribution.
	Tuyau de vidange	Vérifier s'il y a blocage.
Fuite d'air	Vérifier les joints des gaines.	Sceller avec du ruban adhésif.
Faible humidité	Le ventilateur de l'appareil de chauffage ne fonctionne pas.	<ul style="list-style-type: none"> • Réenclencher le disjoncteur ou vérifier si le fusible est bon. • Vérifier si l'appareil de chauffage est sous tension. • Vérifier les connexions externes. • Vérifier le réglage de l'humidistat. • Appeler un entrepreneur en chauffage.
	Le renouvellement d'air est rapide (courant d'air : l'air froid est sec et représente une charge supplémentaire pour l'humidificateur).	<ul style="list-style-type: none"> • Garder les portes et les fenêtres fermées. • Fermer le registre de la cheminée (foyer) lorsque celle-ci n'est pas utilisée. • Faire fonctionner le ventilateur d'extraction pendant une période minimum. • Rendre les portes et les ouvertures étanches.
Humidité élevée	Condensation sur les murs.	• Arrêter l'humidistat et fermer l'arrivée d'eau jusqu'à ce que la condensation disparaisse complètement.
	Forte condensation dans les fenêtres.	• Abaisser suffisamment le réglage de l'humidistat pour éliminer la condensation causée par les bains, le lavage des planchers, la cuisson, etc. Si la condensation persiste, il faut augmenter la ventilation.

GARANTIE LIMITÉE DE UN AN

Honeywell garantit que ce produit, à l'exception de l'écran évaporateur de l'humidificateur, est exempt de tout vice de fabrication ou de matière dans la mesure où il en est fait une utilisation et un entretien convenables et ce, pour une période de un an à partir de la première date d'achat par le consommateur. En cas de défectuosité ou de mauvais fonctionnement pendant la période de garantie, Honeywell réparera ou remplacera ledit produit (au choix de Honeywell) dans un délai raisonnable.

Si le produit est défectueux, le consommateur, le consommateur doit le retourner au magasin où il a été acheté, en y joignant la facture ou une preuve d'achat.

La présente garantie ne couvre pas les frais d'installation et de retrait de ce produit. La présente garantie ne s'appliquera pas s'il est démontré par Honeywell que la défectuosité ou le mauvais fonctionnement du produit est attribuable à un endommagement du produit alors que le consommateur l'avait en sa possession.

La responsabilité de Honeywell se limite à réparer ou à remplacer le produit conformément aux modalités susmentionnées. HONEYWELL N'ASSUME AUCUNE RESPONSABILITÉ POUR QUELQUE DOMMAGE INDIRECT QUE CE SOIT RÉSULTANT D'UNE VIOLATION QUELCONQUE D'UNE GARANTIE, EXPRESSE OU TACITE, APPLICABLE AU PRÉSENT PRODUIT. Certains territoires et provinces ne permettent pas l'exclusion ou la restriction des dommages indirects et, par conséquent, la présente restriction peut ne pas s'appliquer.

LA PRÉSENTE GARANTIE TIENT LIEU DE TOUTES LES AUTRES GARANTIES, EXPRESSES OU TACITES, ET LES GARANTIES DE VALEUR MARCHANDE ET DE CONFORMITÉ À UNE FIN PARTICULIÈRE SONT PAR LES PRÉSENTES EXCLUES APRÈS LA PÉRIODE DE UN AN DE LA PRÉSENTE GARANTIE. Certains territoires et provinces ne permettent pas l'exclusion ou la restriction des dommages indirects et, par conséquent, la présente restriction peut ne pas s'appliquer.

La présente garantie donne au consommateur des droits légaux spécifiques et peut-être certains autres droits qui peuvent varier selon la province ou le territoire.

Pour tout renseignement concernant cette garantie, veuillez écrire à Honeywell Customer Care, 1885 Douglas Drive, Minneapolis, MN55422. Au Canada, veuillez écrire à Honeywell Limitée-Honeywell Limited, Produits de détail, ON15-02H, 35 Dynamic Drive, Scarborough (Ontario) M1V 4Z9.

Honeywell

Solutions de régulation et d'automatisation

Honeywell
1985 Douglas Drive North
Golden Valley, MN 55422

Honeywell Limited-Honeywell Limitée
35, Dynamic Drive
Scarborough (Ontario)
M1V 4Z9



Free Manuals Download Website

<http://myh66.com>

<http://usermanuals.us>

<http://www.somanuals.com>

<http://www.4manuals.cc>

<http://www.manual-lib.com>

<http://www.404manual.com>

<http://www.luxmanual.com>

<http://aubethermostatmanual.com>

Golf course search by state

<http://golfingnear.com>

Email search by domain

<http://emailbydomain.com>

Auto manuals search

<http://auto.somanuals.com>

TV manuals search

<http://tv.somanuals.com>