

Ethernet Adaptor Kit for UDC3500

Document Number: 51-52-33-152

Effective: 06/03/2005

Supersedes: N/A

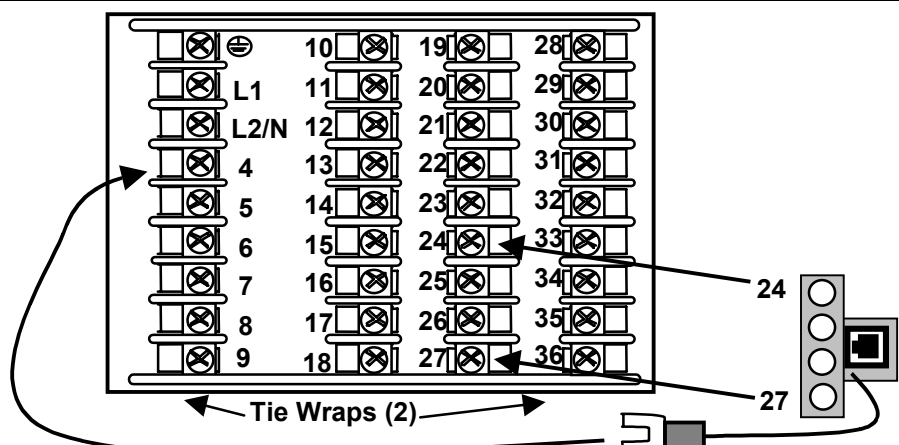
Summary

The 50010425-501 Ethernet Adaptor kit allows you to connect your UDC to a MDI-compliant hub or switch with a straight-through cable or directly to a PC with a crossover cable.

Contents

1 Ethernet Adaptor Assembly, 2 Tie Wraps

Table 1 UDC3500 procedure

Step	Action																								
1	 <p>Figure 1 UDC3500 terminal connections</p> <p>Remove the four Rear Terminal Screws from positions 24, 25, 26 and 27. Assemble Ethernet Adaptor as shown using the four long #6 screws in kit. Route the wire from Adaptor board to Terminal #4 on UDC.</p> <table border="1"> <thead> <tr> <th>UDC Terminal</th> <th>UDC Signal Name</th> <th>RJ45 Socket Pin #</th> <th>Hub/PC Signal Name</th> </tr> </thead> <tbody> <tr> <td>Position 4</td> <td>Shield</td> <td>Shield</td> <td>Shield</td> </tr> <tr> <td>Position 24</td> <td>RX-</td> <td>6</td> <td>TX-</td> </tr> <tr> <td>Position 25</td> <td>RX+</td> <td>3</td> <td>TX+</td> </tr> <tr> <td>Position 26</td> <td>TX-</td> <td>2</td> <td>RX-</td> </tr> <tr> <td>Position 27</td> <td>TX+</td> <td>1</td> <td>RX+</td> </tr> </tbody> </table>	UDC Terminal	UDC Signal Name	RJ45 Socket Pin #	Hub/PC Signal Name	Position 4	Shield	Shield	Shield	Position 24	RX-	6	TX-	Position 25	RX+	3	TX+	Position 26	TX-	2	RX-	Position 27	TX+	1	RX+
UDC Terminal	UDC Signal Name	RJ45 Socket Pin #	Hub/PC Signal Name																						
Position 4	Shield	Shield	Shield																						
Position 24	RX-	6	TX-																						
Position 25	RX+	3	TX+																						
Position 26	TX-	2	RX-																						
Position 27	TX+	1	RX+																						
2	For strain relief, secure your Ethernet cable to the controller with the tie wraps included in the kit using the holes in the bottom controller flange.																								

Warranty/Remedy

Honeywell warrants goods of its manufacture as being free of defective materials and faulty workmanship. Contact your local sales office for warranty information. If warranted goods are returned to Honeywell during the period of coverage, Honeywell will repair or replace without charge those items it finds defective. The foregoing is Buyer's sole remedy and is **in lieu of all other warranties, expressed or implied, including those of merchantability and fitness for a particular purpose.** Specifications may change without notice. The information we supply is believed to be accurate and reliable as of this printing. However, we assume no responsibility for its use.

While we provide application assistance personally, through our literature and the Honeywell web site, it is up to the customer to determine the suitability of the product in the application

Free Manuals Download Website

<http://myh66.com>

<http://usermanuals.us>

<http://www.somanuals.com>

<http://www.4manuals.cc>

<http://www.manual-lib.com>

<http://www.404manual.com>

<http://www.luxmanual.com>

<http://aubethermostatmanual.com>

Golf course search by state

<http://golfingnear.com>

Email search by domain

<http://emailbydomain.com>

Auto manuals search

<http://auto.somanuals.com>

TV manuals search

<http://tv.somanuals.com>