

PORTABLE GENERATORS

7500 Watts Electric Start

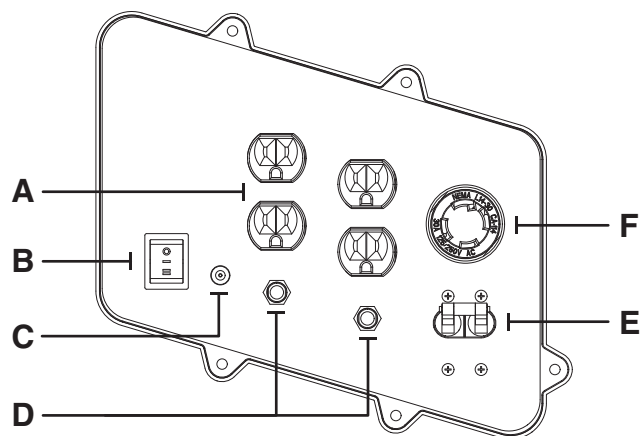
49 STATE/CARB CERTIFIED

7500 Running Watts
9375 Starting Watts
Model 6152



FEATURES

- **OHV engine** is designed for long life with cast iron sleeves and low oil shut down.
- **User-friendly design** has conveniently placed controls and simple illustrated operating instructions for easy start-up.
- **Large steel fuel tank** requires less frequent refills so run times are extended.
- **Heavy-duty wheels** roll easily over rough or uneven terrain.
- **High-leverage handles** allow easy mobility, fold down for compact storage.
- **Push-button electric start** with included battery.



CUSTOMER CONNECTION PANEL

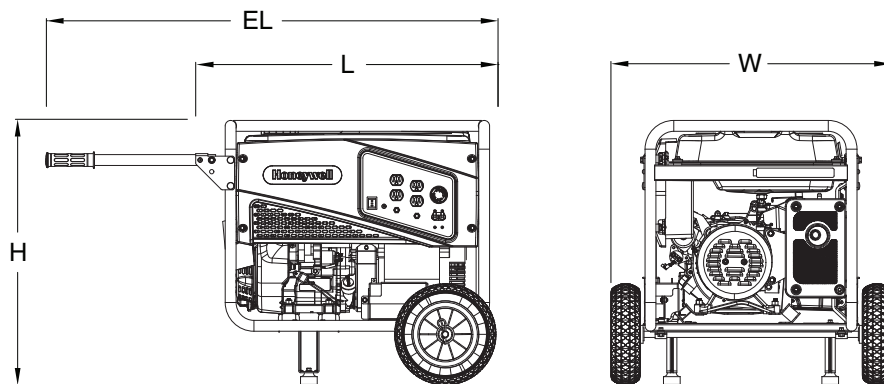
A	Receptacle: (4) 5-20R 120V
B	Engine Start/Stop Switch
C	Battery Charger Input
D	Circuit breakers (2) 20 Amp
E	Circuit breakers: (2) 25 Amp
F	Receptacle: (1) L14-30R Twist-Lock 120/240V

SPECIFICATIONS

Model Number	6039-0
Running Watts	7500
Starting Watts	9375
Rated Amps @ 120 Volts	62.5
Rated Amps @ 240 Volts	31.3
Engine Type	OHV
Engine Displacement	420cc
Low Oil Shutdown	Yes
Starting Method	Electric/Pull
Battery	Included
Outlets	(4) 5-20R 120V (1) L14-30R Twist-Lock 120/240V
Fuel Tank Capacity	5.8 Gallons
Run Time at 50% Load	8.1 Hours
Handles	2 Folding/Locking
Wheels	10" Solid
Included in box	Engine oil, funnel, quick set-up guide
Warranty - Residential	3 Year Ltd.
Warranty - Commercial	1 Year Ltd.
Configuration/Emissions	49-State/CSA

DIMENSIONS (In inches)

Length (handles folded down)	29.80
Extended Length (Handles up)	45.00
Width (including wheels)	28.75
Height (including wheels)	26.75
Product weight	211 lbs.
Carton Length	31.10
Carton Width	22.05
Carton Height	22.44
Shipping weight	217 lbs.



Generac Power Systems, Inc.

S45 W29290 Hwy. 59

Waukesha, WI 53187

Tel: 1-855-GEN-INFO

honeywellgenerators.com

0192290HWL-A

March 2011

© Generac Power Systems, Inc. All rights reserved.
Specifications subject to change without notice.

The Honeywell Trademark is used under
license from Honeywell International Inc.

Honeywell International Inc. makes no representation
or warranties with respect to this product.

Honeywell

Free Manuals Download Website

<http://myh66.com>

<http://usermanuals.us>

<http://www.somanuals.com>

<http://www.4manuals.cc>

<http://www.manual-lib.com>

<http://www.404manual.com>

<http://www.luxmanual.com>

<http://aubethermostatmanual.com>

Golf course search by state

<http://golfingnear.com>

Email search by domain

<http://emailbydomain.com>

Auto manuals search

<http://auto.somanuals.com>

TV manuals search

<http://tv.somanuals.com>