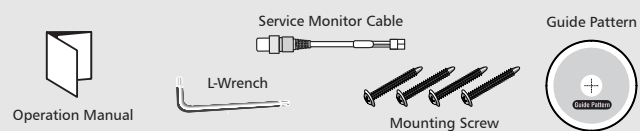


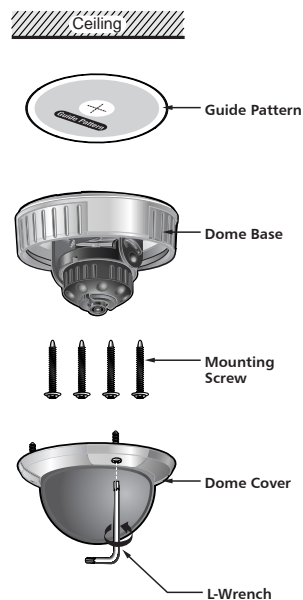
COMPOSITION:

You must be fully aware of all the distinctive features and precautions related to this camera before installing it.

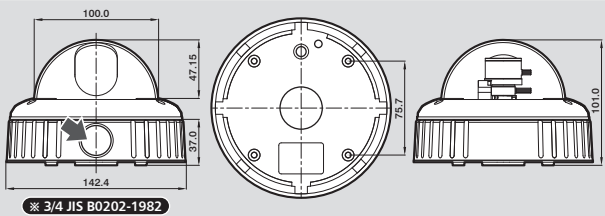


INSTALLATION:

- Stick the guide pattern on the wall or ceiling.
- Drill four holes according to the guide pattern then insert anchors into the drilled holes.
- Draw out power / video wires to the connecting places.
- Fix the camera to a ceiling using four screws.
- Adjust desired focus and scene by turning and moving the 3-axis camera bracket by hand.
- Put the dome cover over the base.
- Fix the dome cover on the base by L-Wrench.



DIMENSIONS(mm):



SPECIFICATIONS:

| Model | NTSC | PAL |
|------------------------------|-------------------------------|---------------------|
| Signal System | NTSC : 525 Lines | PAL : 625 Lines |
| Scanning System | 2 : 1 Interlace | |
| Scanning Frequency (H) | 15.734kHz | 15.625kHz |
| Scanning Frequency (V) | 59.94Hz | 50Hz |
| Image Sensor | 1/3" SONY Super HAD CCD | |
| Total / Effective Pixels No. | 410K / 380K | 470K / 440K |
| S/N Ratio | More than 50dB (AGC Off) | |
| Resolution | 550 TV Lines | |
| Video Output Level | 1.0 Vp-p (75 Ohms, composite) | |
| Lens | Fixed Lens : f=4.0mm | |
| Focus | Manual | |
| Sync. System | Internal | |
| Sensitivity | 0.3 Lux | |
| Electronic Shutter | 1/60 ~ 100,000 Sec. | 1/50 ~ 100,000 Sec. |
| White Balance | Auto | |
| AGC | On / Off | |
| BLC | On / Off (with Slide Switch) | |
| Flickerless | On / Off (with Slide Switch) | |
| Input / Output Connector | Power, Video | |
| Power Consumption | 12VDC (10V~15V) / 3W (Max) | |
| Dome Size (Ø) | 100mm | |
| Weight | Approx. 844g | |

Need Help?
Call 1.800.796.CCTV for sales, service and customer support.
www.honeywellvideo.com

P/N:3810-0055Q Rev 0 05/23

Honeywell

HD51 Series

Operation Manual



- 1/3" Sony Super HAD CCD
- High Resolution:550 TV Lines
- 4 - 9mm DC Vari-focal Auto Iris
- Auto White Balance
- AGC, BLC, Flickerless On/Off
- Extra Video Output for Installer
- 3-Axis Camera Construction
- Vandal-Resistant Dome Housing
- Diameter of Bubble:100mm



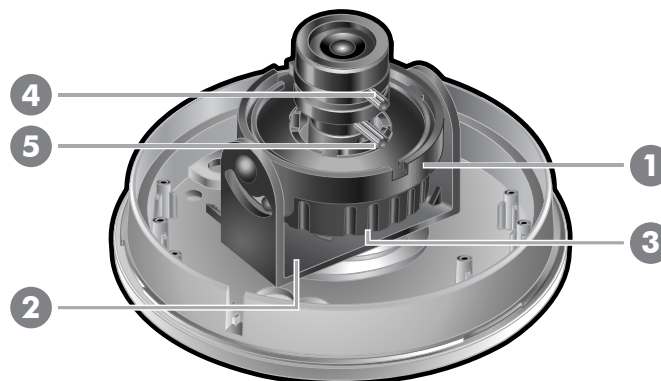
READ AND KEEP THIS OPERATION MANUAL

PRECAUTIONS:

- Do not install the camera in extreme temperature conditions. Do use the camera under conditions where temperatures are within -20°C to 45°C. Be especially careful with ventilation under high temperatures.
- Do not disassemble the camera. There are no user-serviceable parts inside it.
- Do not drop the camera or subject them to physical shocks. It can cause malfunctions to occur.
- Note
When this camera is installed near wireless communication devices that emits strong electromagnetic field, irregularity such as noise on the monitor may appear.

NAME AND FUNCTION:

Vari-focal Lens Type

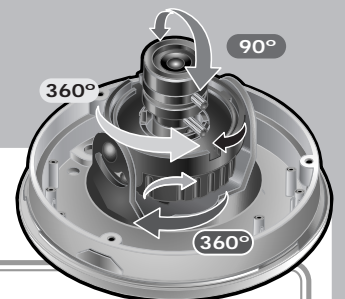


- | | |
|---|-------------------------------------|
| 1 Tilt rotation: Adjusting the vertical angle. | 4 Focus handle: Focus (Far or Near) |
| 2 Pan rotation: Adjusting the horizontal angle. | 5 Zoom handle: Zoom (Tele or Wide) |
| 3 Horizontal rotation: Adjusting the horizontal position of the screen. | |

Camera Lay-out

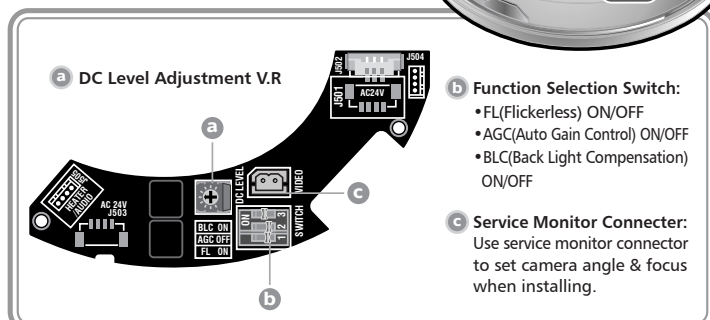
Design and specifications are subject to change without notice.

Built-in 3-axis camera bracket makes it much easier to rotate in any direction.



CAMERA SET-UP:

Vari-focal Lens Type

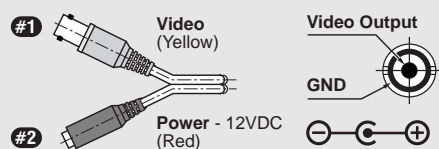


TROUBLESHOOTING:

- If you have trouble operating your camera, refer to the following. If the guidelines do not enable you to solve the problem, contact an authorized technician.
- | | |
|--|--|
| <ul style="list-style-type: none"> The image does not appear on the screen. The image on the screen is dim. The camera does not work properly, the surface of the camera case is hot, and a black line appears on the screen. The screen blinks a lot. | <ul style="list-style-type: none"> Check the power source for the monitor and camera and ensure that the voltage and polarity are properly connected and being supplied correctly. Check if the lens is stained. If dirty, clean the lens with a soft, clean cloth. Adjust the Back Focus of the lens again. Check if you have connected the camera to a proper power source and if there is no problem with the power, turn the unit off immediately and seek assistance from our Customer Service department. Check if the camera is pointed toward the sun or a fluorescent lamp. Adjust the angle or location of the camera if too much light is coming into the screen. |
|--|--|

CONNECTION:

- Connecting to Monitor and Power
- 12VDC Power Type



The wire is polarized. Use 12VDC power source.

| No. | Function | Terminal Color | Remark |
|-----|--------------|----------------|----------------------|
| #1 | Video Output | Yellow | 1.0 Vp-p |
| #2 | Power Input | Red | 12VDC, Max 3W/ 250mA |

Free Manuals Download Website

<http://myh66.com>

<http://usermanuals.us>

<http://www.somanuals.com>

<http://www.4manuals.cc>

<http://www.manual-lib.com>

<http://www.404manual.com>

<http://www.luxmanual.com>

<http://aubethermostatmanual.com>

Golf course search by state

<http://golfingnear.com>

Email search by domain

<http://emailbydomain.com>

Auto manuals search

<http://auto.somanuals.com>

TV manuals search

<http://tv.somanuals.com>