

MM-2 MASTERTROL® MINI-ZONE™-2



SCHEMATIC

The Mastertrol® Mini-Zone™ -2 Zone Control Panel, Model MM-2, controls 2 zones on any single stage heating and cooling system. Each zone is controlled by a thermostat which operates a motorized damper in the zone duct to control the flow of conditioned air to the zone. (Up to 2 dampers may be wired to a single zone. When 3 or more dampers are required a Slave Damper Control Relay, Model SDCR, is required.)

The Zone 1 Thermostat requires a manual changeover subbase with "O" and "B" terminals. The "O" terminal must make with R when the subbase is switched to the COOL Mode. The "B" terminal must make with R when the subbase is switched to the HEAT Mode. When the Zone 1 Subbase in either the Heat or Cool Mode, either zone thermostat can call for the respective mode. The zone thermostat will energize it's zone relay which activates the heating or cooling controls, opens it's zone damper and closes the damper to the zone that is satisfied. When both zone thermostats are satisfied the heating (or cooling) will shut off and all zone dampers will return to their normal position. The normal position of the zone dampers is set by the OPEN/CLOSED (O/C) slide switch next to the motor terminals.

SYSTEM CONNECTIONS: The MM-2 System Terminals, on the far left side of the panel, wire to the HVAC Unit. These terminals are isolated "dry" switching contacts similar to any typical thermostat. These terminals are wired to the HVAC Unit the same as any thermostat would, when not using this zone control panel. The MM-2 connections used are typically the RC-G-Y-W terminals wired the the HVAC Unit Control Center.

HYDRO-AIR Systems - When using the MM-2 with a Hydro-Air System, one which uses a hot water coil in the air handler to provide heating in place of a furnace, the wiring is almost similar to that shown. In this application the Heat Relay shown may be a zone valve or circulator relay. The Fan must be controlled by an Aquastat. In order to bring the fan on when the water in the coil is heated. This is wired independently of the MM-2 panel.

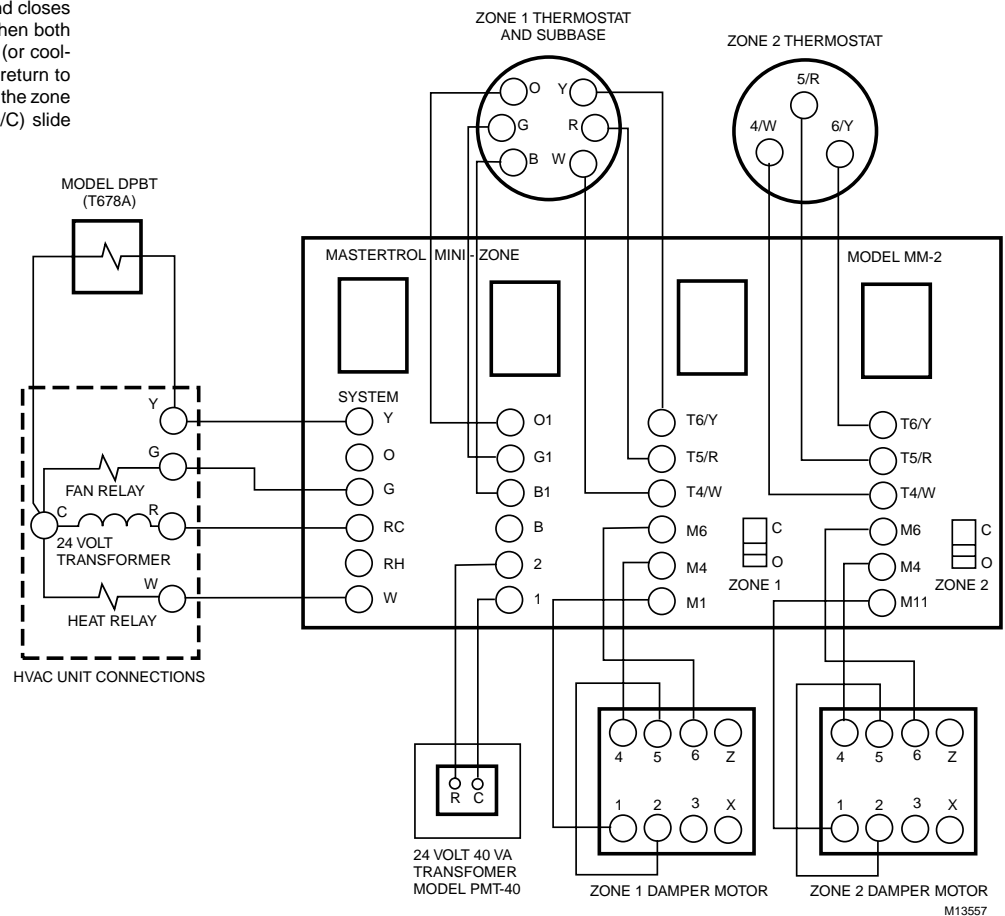
OIL FURNACES - When using the MM-2 with an Oil Fired Furnace to provide heating, the T and T terminals on the Oil Burner Primary Control must wire to the RH and W terminals, on the left side of the MM-2. *NOTE: Once operational the Oil Furnace continues to run when all zones are satisfied, reverse the RH and W wires on the MM-2.*

DAMPER MOTOR WIRING - This diagram shows Trol-A-Temp's typical power open-power closed opposed blade damper motors. Note the jumper wire required on the motor terminals 2 and 5. **Round Spring Return Dampers** can also be wired to the MM-2. When using the ARD-PC, wire to the M1 and M6 terminals. When using the ARD-PO, wire to the M1 and M4 terminals.

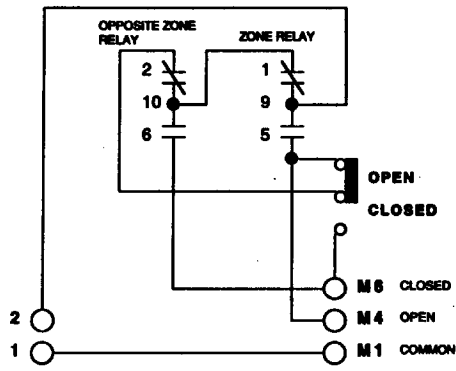
ZONE THERMOSTAT WIRING - The MM-2 can be used with several different single stage thermostats. The wiring shown is for the following recommended thermostats:

Zone 1 Thermostat	Zone 2 Thermostat
TRT(-W) and MCRS(-W)	TRT(-W)/T87F
T8090T1003*	T8090T1011*
T8602C	T8602D
T8601C*	T8603D*

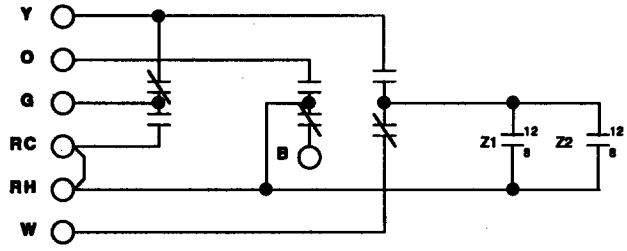
*These thermostats may require additional wires. Refer to the wiring information included with the thermostat for complete information.



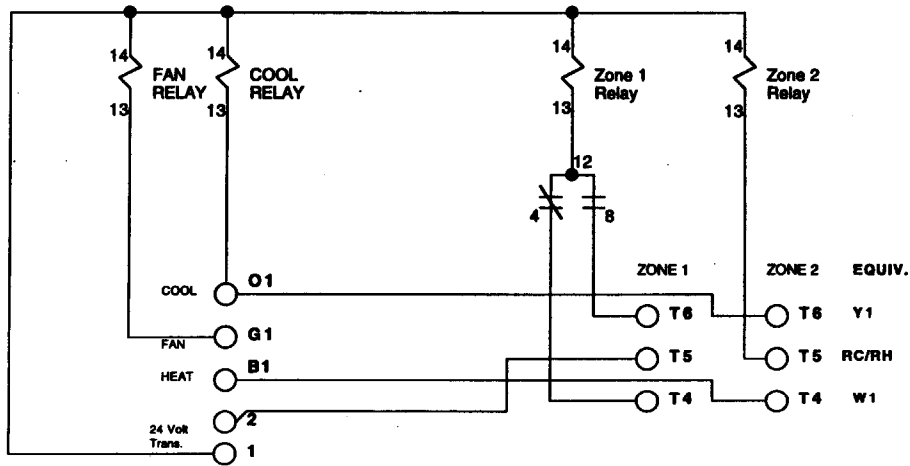
DAMPER MOTOR CIRCUIT



Equipment Output Circuit



THERMOSTAT and RELAY CIRCUIT



Honeywell

Home and Building Control
 Honeywell Inc.
 Honeywell Plaza
 P.O. Box 524
 Minneapolis MN 55408-0524

Home and Building Control
 Honeywell Limited-Honeywell Limitée
 155 Gordon Baker Road
 North York, Ontario
 M2H 3N7



Printed in U.S.A. on recycled paper containing at least 10% post-consumer paper fibers.

Free Manuals Download Website

<http://myh66.com>

<http://usermanuals.us>

<http://www.somanuals.com>

<http://www.4manuals.cc>

<http://www.manual-lib.com>

<http://www.404manual.com>

<http://www.luxmanual.com>

<http://aubethermostatmanual.com>

Golf course search by state

<http://golfingnear.com>

Email search by domain

<http://emailbydomain.com>

Auto manuals search

<http://auto.somanuals.com>

TV manuals search

<http://tv.somanuals.com>