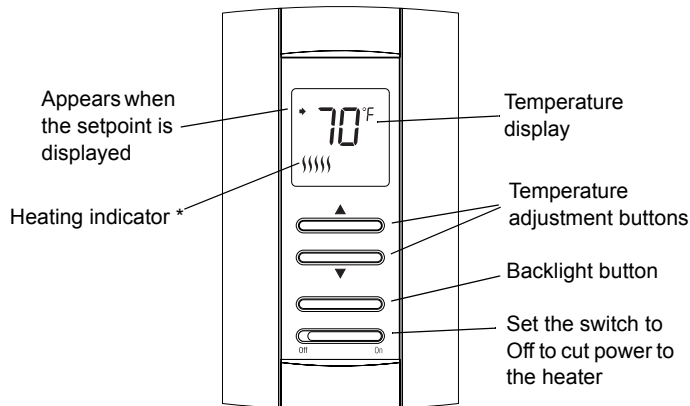


1 Description

This thermostat can be connected to an electric heater to control the room temperature.

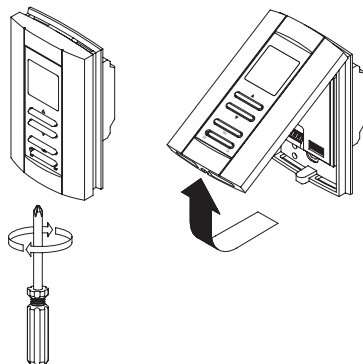


* The thermostat indicates how much heating is required to maintain the desired temperature. For example, is displayed when heating is at 40 percent.

Display					
% of heating	1 to 24%	25 to 49%	50 to 74%	75 to 99%	100%

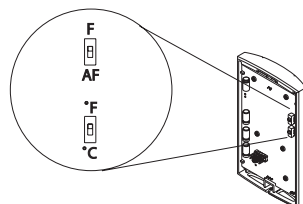
2 Configuration

The configuration switches are located at the back of the control module (faceplate).



2.1 Temperature Display (S1)

The S1 switch allows you to select between °C and °F.



2.2 Model (S2)

The S2 switch allows you to control the temperature using either the thermostat's built-in sensor or an external sensor.

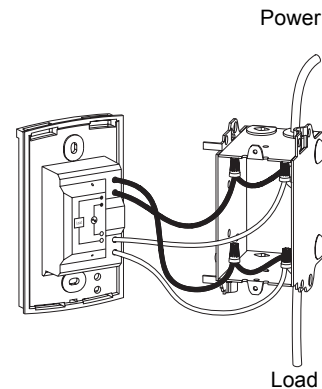
AF:	Use built-in sensor (external sensor not required)
F:	Use external sensor (option)

3 Installation

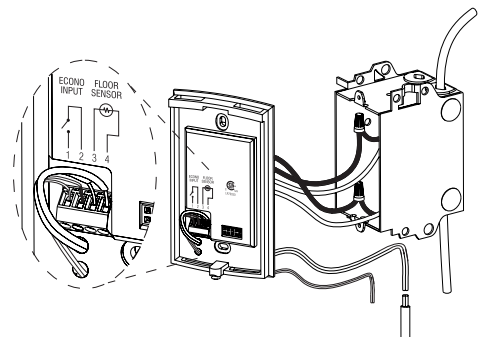
Turn off power to the heating system at the main electrical panel to avoid electrical shock. The installation should be carried out by an electrician.

- ▶ High voltage thermostats must be installed onto an electrical box.
- ▶ For a new installation, choose a location about 5 ft. above the floor and on an inside wall.
- ▶ The thermostat must be installed on an inside wall facing the heating system.
- ▶ Avoid locations where there are air drafts (top of staircase, air outlet), dead air spots (behind a door), direct sunlight or concealed chimneys or stove pipes.

- 1 Connect the power base wires to the power supply and load using solderless connectors for copper wires.



- 2 If you wish to use a remote controller such as the CT240 or CT241 from Aube, insert the cable (use 18 to 22 gauge flexible wires) into one of the two holes available below the terminal board and connect to terminals 1 and 2 of the base.



- 3 If you use an external sensor, insert the sensor wires through one of the two holes below the terminals (figure 2) and connect the wires to terminals 3 and 4 (no polarity).
- 4 Push the excess length of the high-voltage wires back into the electrical box.
- 5 Secure the power base to the electrical box using the provided screws.
- 6 If necessary, set the configuration switches on the control module (refer to the control module user guide).

7 Install the control module onto the base.

8 Apply power to heating system.

NOTE: Always keep the thermostat's vents clean and unobstructed.

4 Power-up

As soon as the thermostat is powered, it undergoes a series of tests before displaying the actual temperature.



5 Error Messages

LO: The measured temperature is below the display range. Heating is activated.



HI: The measured temperature is above the display range.



6 Backlight

The display illuminates for 5 seconds when the backlight button is pressed. When either of the ▲▼ buttons is pressed, the display illuminates for 10 seconds.

7 Temperature Setting

The thermostat normally displays the actual temperature. To view the setpoint, press one of the ▲▼ buttons once. The setpoint will appear for 5 seconds. To change the setpoint, press one of the ▲▼ buttons until the desired temperature is displayed. To scroll the setpoint faster, do not release the button.

8 Technical Specifications

Power supply: 208/240 VAC, 50/60 Hz

Maximum load: 16 A (resistive only)
3328 W @ 208 VAC
3840 W @ 240 VAC

Setpoint range: 40 °F - 86 °F (5 °C to 30 °C)

Display range: 32 °F - 122 °F (0 °C - 50 °C)

Display resolution: 1 °F (0.5 °C)

Heating cycle length: 15 minutes

Storage: -4 °F to 120 °F (-20 °C to 50 °C)

Remote controller input (ECONO): requires a dry contact

Certifications: CSA/UL



Warranty

Honeywell warrants this product, excluding battery, to be free from defects in the workmanship or materials, under normal use and service, for a period of one (1) year from the date of purchase by the consumer. If at any time during the warranty period the product is determined to be defective or malfunctions, Honeywell shall repair or replace it (at Honeywell's option).

If the product is defective,

- return it, with a bill of sale or other dated proof of purchase, to the place from which you purchased it, or
- call Honeywell Customer Care at 1-800-468-1502. Customer Care will make the determination whether the product should be returned to the following address: Honeywell Return Goods, Dock 4 MN10-3860, 1885 Douglas Dr N, Golden Valley, MN 55422, or whether a replacement product can be sent to you.

This warranty does not cover removal or reinstallation costs. This warranty shall not apply if it is shown by Honeywell that the defect or malfunction was caused by damage which occurred while the product was in the possession of a consumer.

Honeywell's sole responsibility shall be to repair or replace the product within the terms stated above. HONEYWELL SHALL NOT BE LIABLE FOR ANY LOSS OR DAMAGE OF ANY KIND, INCLUDING ANY INCIDENTAL OR CONSEQUENTIAL DAMAGES RESULTING, DIRECTLY OR INDIRECTLY, FROM ANY BREACH OF ANY WARRANTY, EXPRESS OR IMPLIED, OR ANY OTHER FAILURE OF THIS PRODUCT. Some states do not allow the exclusion or limitation of incidental or consequential damages, so this limitation may not apply to you.

THIS WARRANTY IS THE ONLY EXPRESS WARRANTY HONEYWELL MAKES ON THIS PRODUCT. THE DURATION OF ANY IMPLIED WARRANTIES, INCLUDING THE WARRANTIES OF MERCHANTABILITY AND FITNESS FOR A PARTICULAR PURPOSE, IS HEREBY LIMITED TO THE ONE-YEAR DURATION OF THIS WARRANTY. Some states do not allow limitations on how long an implied warranty lasts, so the above limitation may not apply to you.

This warranty gives you specific legal rights, and you may have other rights which vary from state to state.

If you have any questions concerning this warranty, please write Honeywell Customer Relations, 1985 Douglas Dr, Golden Valley, MN 55422 or call 1-800-468-1502. In Canada, write Retail Products ON15-02H, Honeywell Limited/Honeywell Limitée, 35 Dynamic Drive, Scarborough, Ontario M1V4Z9.



Customer Assistance

If you have any questions about the operation of your thermostat, please go to <http://yourhome.honeywell.com>, or call Honeywell Customer Care toll-free at **1-800-468-1502**.

Free Manuals Download Website

<http://myh66.com>

<http://usermanuals.us>

<http://www.somanuals.com>

<http://www.4manuals.cc>

<http://www.manual-lib.com>

<http://www.404manual.com>

<http://www.luxmanual.com>

<http://aubethermostatmanual.com>

Golf course search by state

<http://golfingnear.com>

Email search by domain

<http://emailbydomain.com>

Auto manuals search

<http://auto.somanuals.com>

TV manuals search

<http://tv.somanuals.com>