

## INSTALLATION, OPERATION & MAINTENANCE INSTRUCTIONS FOR FP-4 FREEZE PROTECTION KIT

P/N 83-0763

FOR TURBO-COOL AFTERCOOLERS  
MODELS AC-140-7 thru AC-220-7  
(230V-3PH-60Hz & 460V-3PH-60Hz)

### WARNING

BEFORE STARTING INSTALLATION OR MAINTENANCE PROCEDURES, TURN OFF ELECTRICAL POWER AND COMPLETELY DEPRESSURIZE THE AFTERCOOLER. FAILURE TO HEED THIS WARNING MAY RESULT IN SERIOUS PERSONAL INJURY AND/OR DAMAGE TO THE UNIT.

NEVER REMOVE, REPAIR, OR REPLACE ANY ITEM ON THE AFTERCOOLER WHILE IT IS PRESSURIZED.

WHEN INSTALLING THIS KIT, ALWAYS COMPLY WITH THE NATIONAL ELECTRICAL CODE AND ALL OTHER APPLICABLE FEDERAL, STATE AND LOCAL CODES.

## SECTION 1

## INTRODUCTION

### 1.1 DESCRIPTION OF OPERATION

The FP-4 freeze protection kit is designed to prevent aftercooler freeze up when the ambient temperature is near or below freezing, 32°F (0°C).

The FP-4 has a two stage solid state temperature controller. The controller is mounted inside a Nema 4 enclosure. The controller is used to energize a control relay which is rated to handle the load of the aftercooler fan at the various voltages.

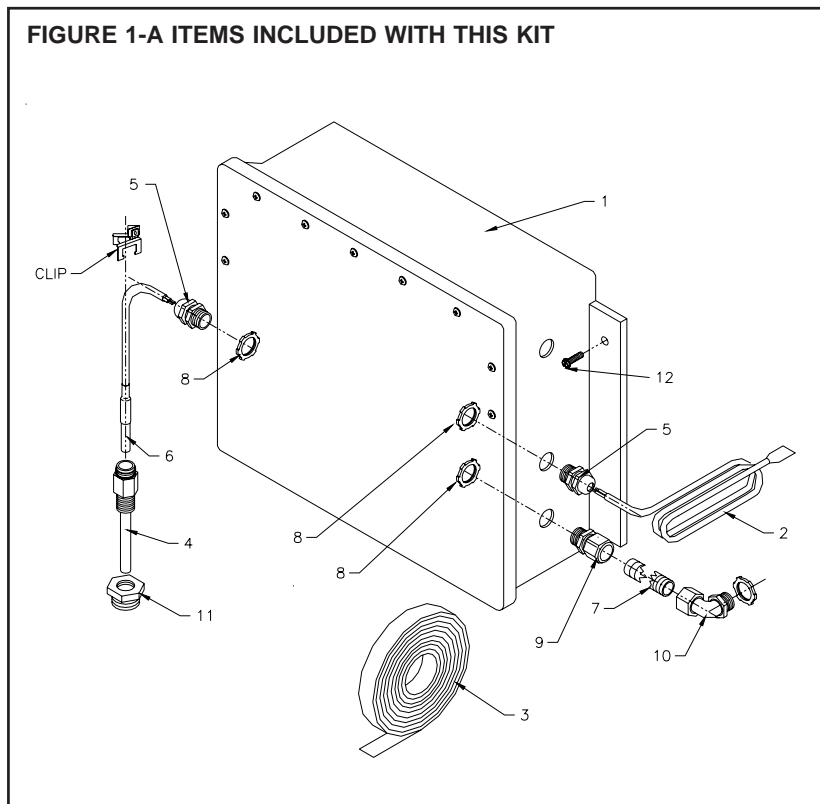
The linear platinum temperature sensor and thermowell mount into the piping between the outlet manifold of the aftercooler and the separator. When the temperature of the compressed air system at the aftercooler outlet falls to 35°F, the controller will automatically turn off of the fan. The controller is set for a 10°F dead band to prevent rapid cycling (fan will turn off at 35°F and on at 45°F).

A 12 foot heat tape and 30 feet of insulation wrap are provided to wrap around the separator. The heat tape is equipped with its own internal temperature control. The heat tape and insulation will provide additional freeze up protection.

### 1.2 THIS KIT INCLUDES:

1. Control box
2. 12' long heat tape, w/ thermostat
3. 30' long roll of insulation wrap
4. Copper 1/2" NPT thermowell w/clip
5. Cord grip connector
6. Linear platinum sensor
7. 2' of 3/8" flexible conduit
8. Three (3) seal fittings for connectors
9. 3/8" conduit straight connector
10. 3/8" 90 degree elbow connector
11. 1" x 1/2" NPT bushing
12. Four (4) #12-14 x 1" self tapping screws
13. Heat Conductive Compound

FIGURE 1-A ITEMS INCLUDED WITH THIS KIT



### 2.1 MOUNTING THE CONTROL BOX

The control box should be mounted near the outlet manifold of the aftercooler. Make sure that the control box is close enough so that all components can reach the box when installed.

Drill the four pilot holes in the mounting surface using a 1/8" drill. Reference Figure 2-A for dimensions.

The control box will be mounted with the hinged side of the enclosure on the bottom.

Fasten the controller in place using the four (4) #12-14 x 1" long self-tapping screws supplied with the kit.

### 2.2 INSTALLING THE SENSOR AND THERMOWELL

A 1/2" NPT or larger connection in the system piping between the outlet of the aftercooler and the inlet of the separator is required for the thermowell and sensor.

Thread the thermowell and the 1" x 1/2" bushing (if required) into a connection between the aftercooler outlet and the separator.

Place some heat conductive compound into the thermowell. Place the sensor into the thermowell and fasten it in place using the clip supplied with the thermowell. Reference Figure 2-B.

Install the cord grip connector into the control box as shown in Figure 2-B. Push the sensor cable through the connector. Wire the sensor cable to the controller circuit board terminals as shown in Figure 2-F. Tighten the grip nut on the connector.

### 2.3 INSTALLING THE HEAT TAPE AND INSULATION

Install the cord grip on the control box as shown in Figure 2-C.

Cut the plug end off the heat tape. Strip back the wires.

Push the wire end of the heat tape through the connector. Allow enough cord inside the box for wiring. Connect the heat tape to the proper terminals in the control box as shown in FIGURES 2-F. Tighten the grip nut on the connector.

Run the heat tape to the separator. Wrap the heat tape around the separator as shown in Figure 2-C. Do not overlap the tape.

Wrap the insulation around the piping and heat tape as shown in Figure 2-C.

FIGURE 2-A MOUNTING THE CONTROL BOX

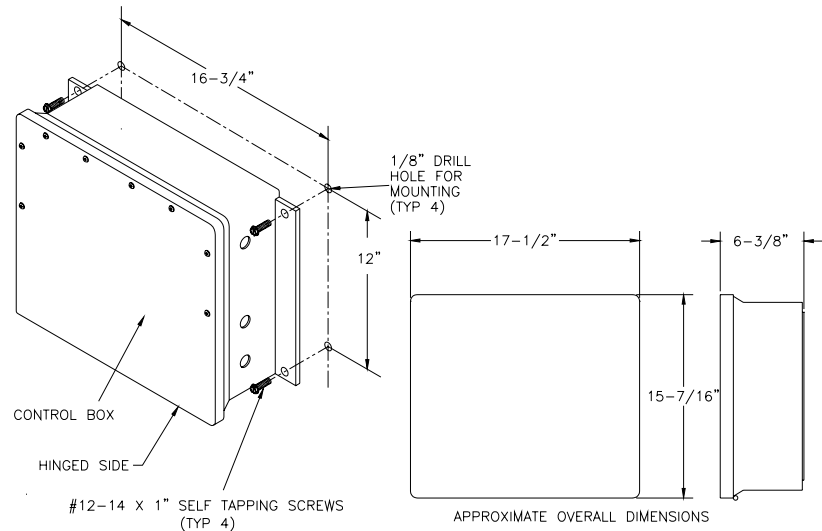


FIGURE 2-B MOUNTING THE THERMOWELL

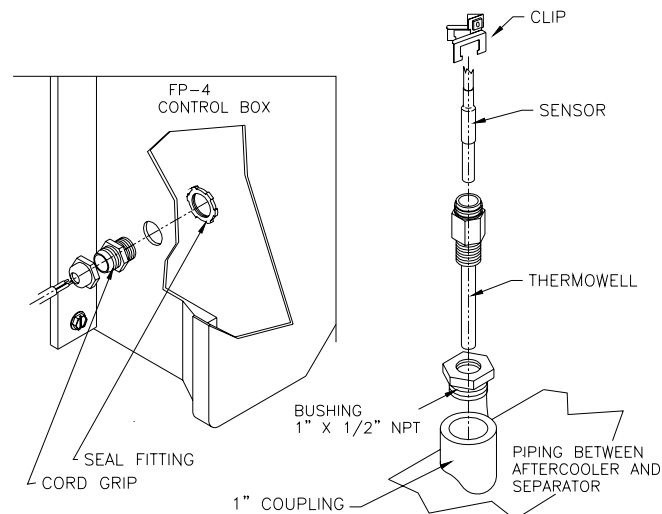
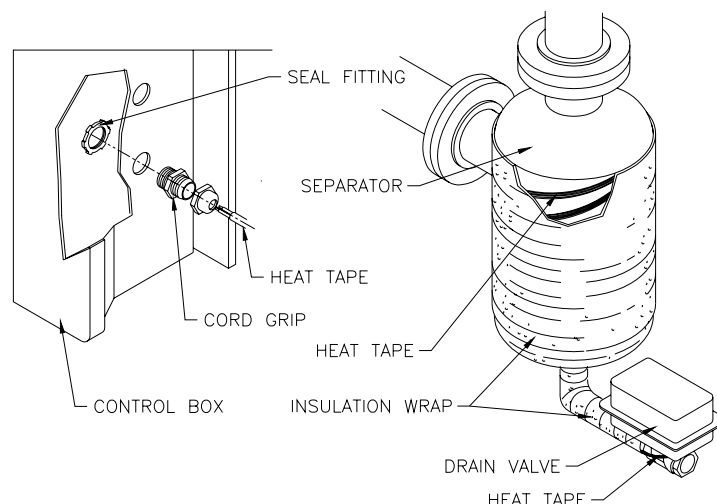


FIGURE 2-C INSTALLING THE HEAT TAPE AND INSULATION



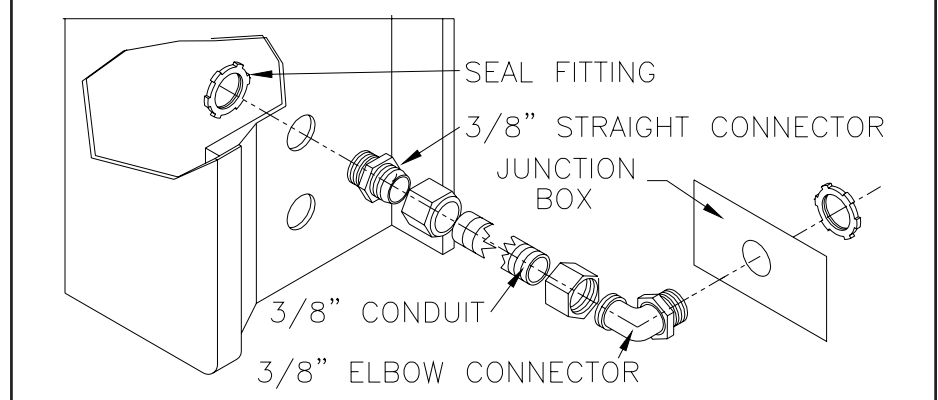
### 2.4 INSTALLING THE CONDUIT

Install the straight conduit connector on the control box. Reference Figure 2-D.

The supplied conduit will be used to run between the aftercooler and the control box. Connect the conduit to the straight connector.

Install the 90 degree elbow connector on the aftercooler. Reference Figure 2-D.

FIGURE 2-D INSTALLING THE CONDUIT



### 2.5 INSTALLING THE TRANSFORMER JUMPERS

#### WARNING

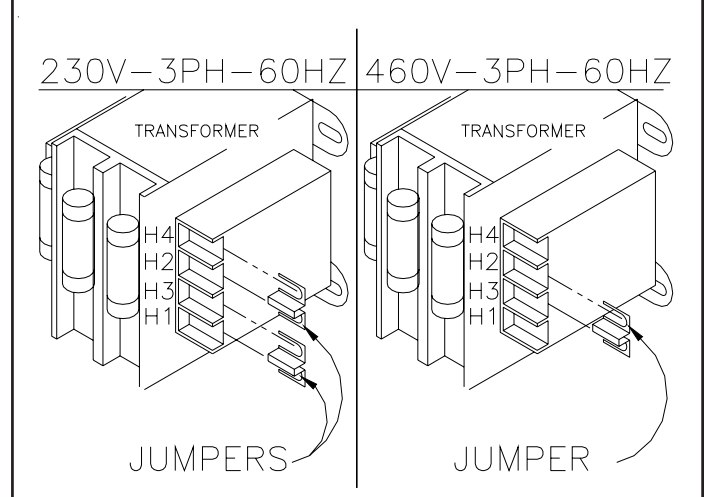
**BEFORE STARTING THIS PROCEDURE, TURN OFF ELECTRICAL POWER. FAILURE TO HEED THIS WARNING MAY RESULT IN SERIOUS PERSONAL INJURY AND/OR DAMAGE TO THE UNIT.**

This kit was designed to operate at 230V-3PH-60Hz or 460V-3PH-60Hz. Two jumpers were shipped inside the control box. They must be installed on the transformer before connecting the power to the control box. Install the jumper(s) as shown in Figure 2-E for the desired voltage.

#### CAUTION

**It is important that this procedure be properly completed before continuing with installation. This kit will not operate without the jumpers. Damage to the control box will occur if the jumpers are improperly installed.**

FIGURE 2-E INSTALLING THE TRANSFORMER JUMPERS



### 2.6 ELECTRICAL CONNECTIONS

#### WARNING

**BEFORE STARTING INSTALLATION PROCEDURES OR ATTEMPTING TO MAKE ANY WIRING CHANGES, TURN OFF ELECTRICAL POWER. FAILURE TO HEED THIS WARNING MAY RESULT IN SERIOUS PERSONAL INJURY AND/OR DAMAGE TO THE UNIT.**

**WHEN INSTALLING THIS KIT ALWAYS COMPLY WITH THE NATIONAL ELECTRICAL CODE AND ALL OTHER APPLICABLE FEDERAL, STATE AND LOCAL CODES.**

A 7/8" hole in the top right side of the control box is provided for incoming power conduit. The hole can be enlarged if necessary.

The control box is designed for 230V-3PH-60Hz or 460V-3PH-60Hz operation. The transformer jumpers must be installed as outlined in Section 2.5 for the desired voltage.

Make the necessary wiring runs and connections for the main power supply.

Remove the junction box cover on the aftercooler for access to the junction box. Make the necessary wiring runs through the conduit from the aftercooler to the control box. Fasten the

conduit to the connector on the aftercooler. Reference FIGURE 2-D.

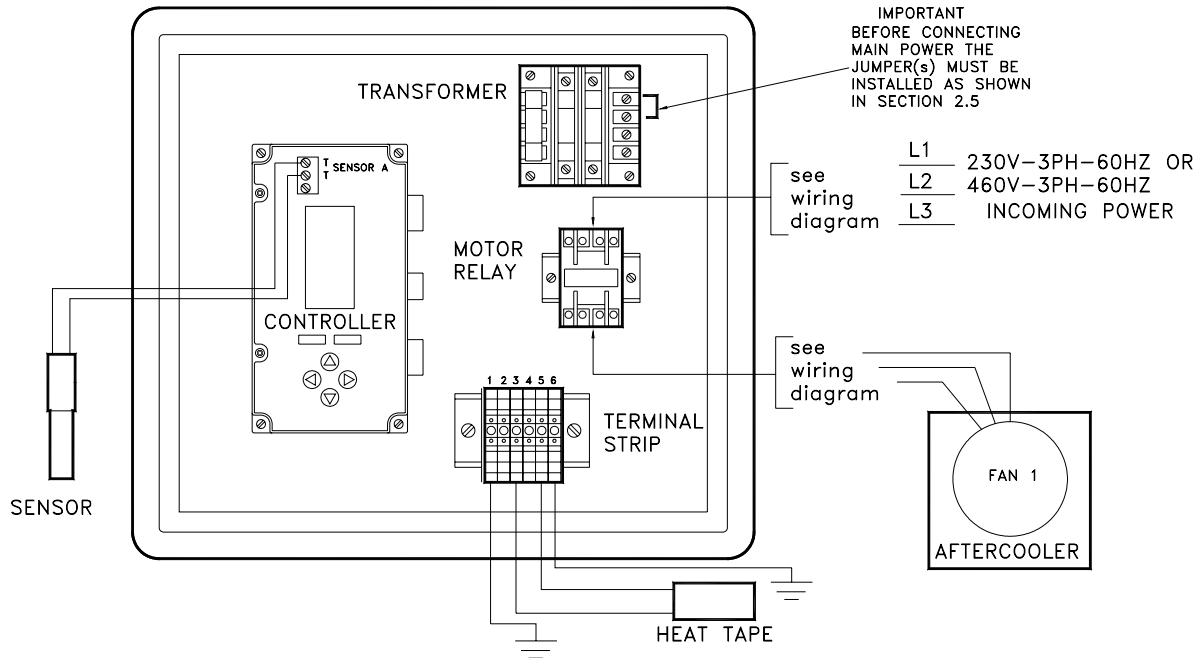
Make the wire connections at the junction box on the aftercooler. Reference FIGURE 2-F. Fasten the junction box cover to the aftercooler.

Complete the wire connections inside the controller as shown in FIGURE 2-F.

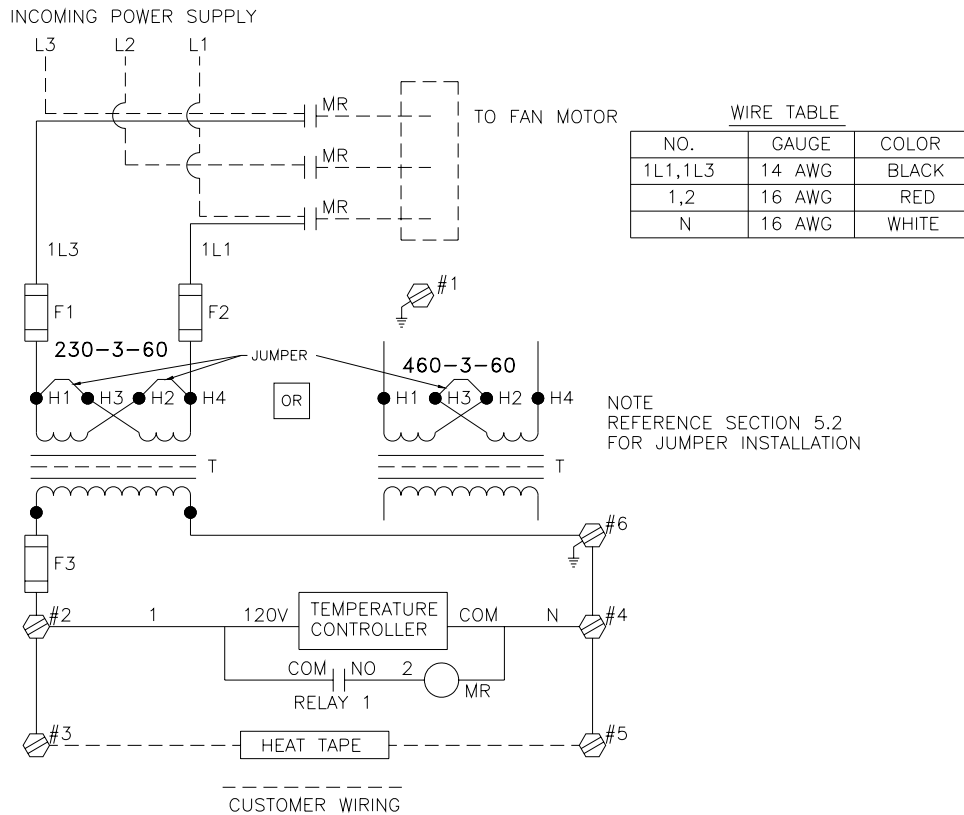
Once all wiring connections have been properly made, the rotation of the fan should be checked. The fan must rotate in the proper direction for maximum performance. Reference the operator's manual supplied with the aftercooler for the correct rotation direction. Also, check the aftercooler for a rotation direction label.

To check the rotation, turn on the power supply to the aftercooler. If the fan does not rotate in the proper direction, any two of the power leads to the motor can be switched.

FIGURE 2-F CONTROL BOX COMPONENT LAYOUT and WIRING DIAGRAM



WIRING DIAGRAM



**IMPORTANT**

**THE FAN MOTOR MUST ROTATE IN THE CORRECT DIRECTION. REFERENCE THE AFTERCOOLER OPERATOR'S MANUAL FOR PROPER ROATION DIRECTION. IF IT DOES NOT, THE ROTATION CAN BE CORRECTED BY SWITCHING TWO OF THE POWER LEADS TO THE MOTOR.**

### 2.7 SETTING THE CONTROLLER

The controller was factory set for normal operation. The factory settings are as follows:

<b>SET POINT</b>	<b>RELAY 1</b>
<b>DIFFERENTIAL</b>	<b>35°F</b>
<b>MODE</b>	<b>10°F</b>
	<b>COOLING</b>

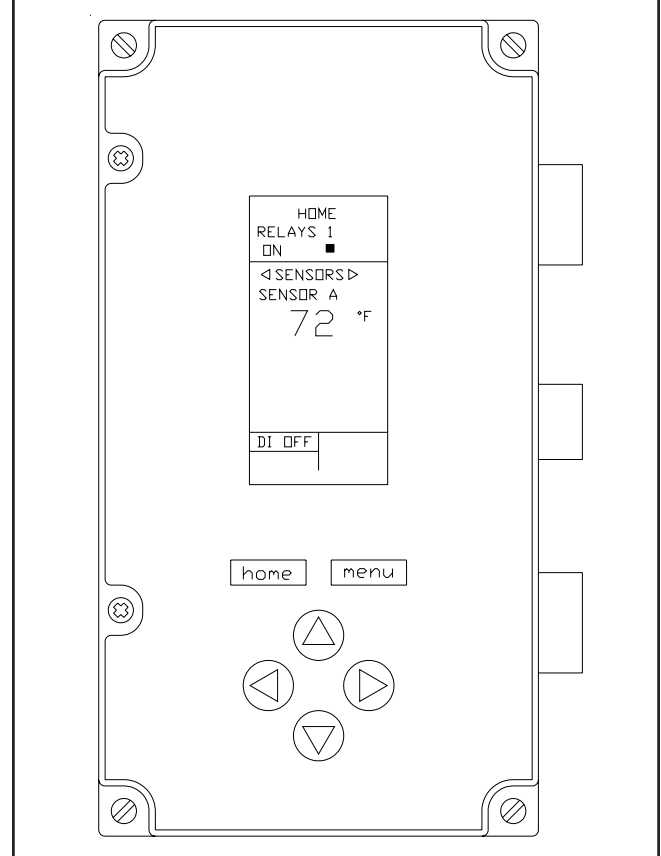
Turn on the main power to the FP-4 control.

If the settings have been changed, set them to the factory settings following the procedures below. The controller will retain the setting if the power is disconnected.

#### PROGRAMMING PROCEDURES

1. Press **MENU** key, then press **RIGHT** arrow key three times. Use the **UP** and **DOWN** arrow to select the **SETPOINT**. Press the **RIGHT** arrow to store the setpoint in memory.
2. Press the **RIGHT** arrow to set the **DIFFERENTIAL**. Use the **UP** and **DOWN** arrow to set the differential. Press the **RIGHT** arrow to store the differential in memory.
3. Press the **RIGHT** arrow key to set the **HEATING / COOLING** mode. Use the **UP** or **DOWN** arrow to select the desired mode. Press the **RIGHT** arrow to store the mode in memory.
4. Press **RIGHT** arrow three times to exit the program mode.

FIGURE 2-G CONTROLLER DISPLAY



### 3.1 OPERATION

Once the kit is installed and set properly, just energize the controller and it will operate automatically.

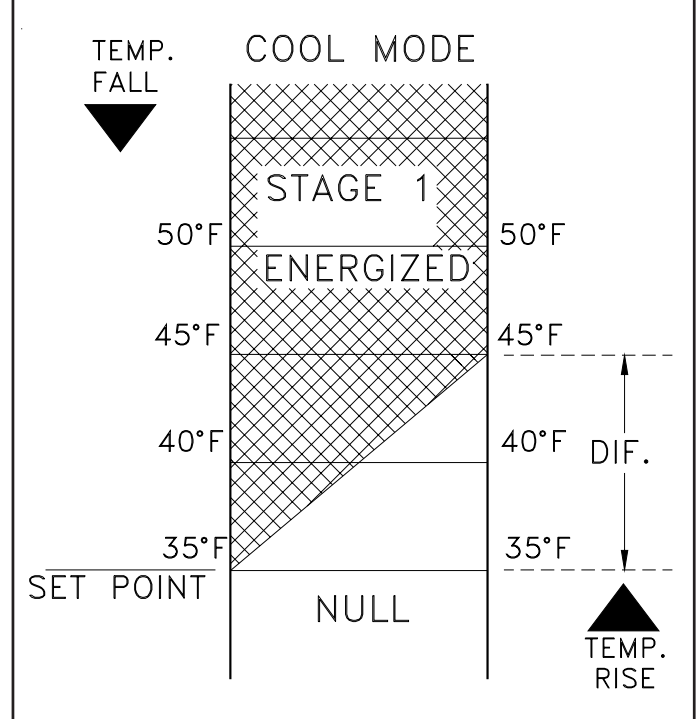
The controller will turn off half of the aftercooler fan when the temperature of system air at the outlet of the aftercooler falls to 35°F. The fan will turn on when the system temperature rises to 45°F. Reference chart in Figure 3-A.

The heat tape is controlled by its own internal thermostat. Power is supplied to the heat tape as long as the control box is energized.

The temperature controller is equipped with a LCD display. During normal operation when the fan are operating, (temperature above set points) the sensor temperature and RELAYS 1 ON will be displayed on the controller.

NOTE: The cover on the control box must be opened to view the temperature controller display.

FIGURE 3-A OPERATION SEQUENCE



## 4.1 TROUBLESHOOTING PROCEDURES

PROBLEM	POSSIBLE CAUSES	SOLUTIONS
1. Aftercooler fan motor continues to operate, system temperature below 35°F.	Controller not set properly	Check the controller settings as outlined in Section 2.7. The controller may be set in the heat mode or the set points set too low. Set the controller to the recommended settings.
	Control relay faulty	Check the control relay. Replace if faulty.
2. Aftercooler fan motor not operating, system temperature above 45°F.	No power to the control box	Check main electrical power source.
	No power to the controller	Check the transformer. Make sure that the jumpers on the transformer are properly installed. Reference Section 2.5. Check the fuses on the transformer.
	Controller not set properly	Check the controller settings as outlined in Section 2.7. The controller may be set in the heat mode or the set points set too high. Set the controller to the recommended settings.
	Controller failure	Check the controller settings. If the controller is properly set, check the main power source.  Check the controller display for error codes. Section 4.2 outlines what the error codes indicate and the necessary steps.
	Sensor failure	If the sensor is faulty a "--" will be displayed for the temperature on the controller display. Refer to Section 4.2 for further details. If the sensor is faulty, it must be replaced.
	Control relay faulty	Check the control power at the relay coil. Check the relay for proper operation. Replace if faulty.

## 4.2 CONTROLLER ERROR CODES

The controller display panel is used to display error codes in the event of problems with the controller. The four error codes are listed below.

**-- -SENSOR FAILURE**

The "--" displayed for the temperature indicates that there is a problem with the sensor. The sensor is open or shorted. All relays will be de-energized in the event of a sensor failure. If the sensor is damaged, it must be replaced.

**EE-EEPROM FAILURE**

The "EE" error code indicates that there is a problem with EEPROM. The values read back from the EEPROM are not the same as what was written into the EEPROM. This error cannot be field repaired. The controller must be replaced.

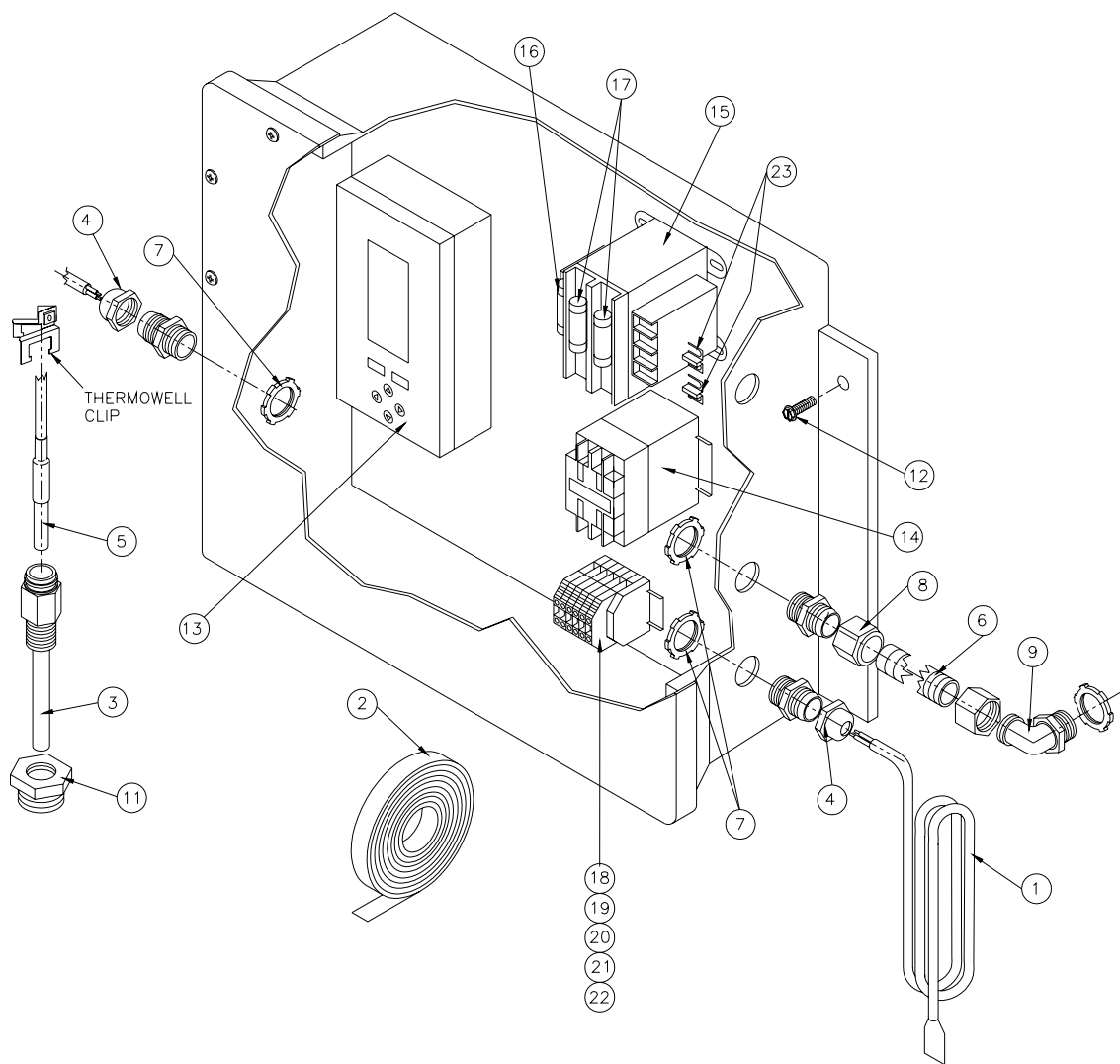
**-60°F or 270°F (-51°C or 132°C) Blinking - TEMPERATURE OUT OF RANGE**

The temperature display blinks when the sensed temperature is outside of the display range, below -60°F (-51°C) or above 270°F (132°C). The displayed value remains at the display limit and the controller continues to function unless an open or shorted condition is detected.

**BLINKING RELAY STATUS**

This occurs when the Relay Minimum Off Time is active. The (ñ) blinks while the relay's minimum off time is active.

## 5.1 REPLACEMENT PARTS



ITEM NO.	DESCRIPTION	QTY	PART NO.
1	12' LONG HEAT TAPE	1	26-8151
2	30' ROLL OF INSULATION WRAP	1	26-0712
3	1/2" NPT THERMOWELL w/CLIP	1	29-0325
4	CORD GRIP CONNECTOR	2	26-5618
5	SENSOR	1	26-7186
6	3/8" FLEXIBLE CONDUIT	2 FT	26-0875
7	SEAL FITTING FOR CONNECTOR	3	26-0883
8	3/8" CONDUIT STRAIGHT CONNECTOR	1	26-1068
9	3/8" 90° ELBOW CONDUIT CONNECTOR	1	26-1078
11	1" X 1/2" NPT BUSHING	1	14-0402
12	#12-14 x 1" SELF TAPPING SCREW	4	28-1286
13	TEMPERATURE CONTROLLER	1	26-7185
14	MOTOR RELAY	1	26-0919
15	TRANSFORMER	1	26-5637
16	1 AMP FUSE	1	26-5336
17	.6 AMP FUSE	2	26-5638
18	GRAY TERMINAL	2	26-0380
19	YELLOW TERMINAL	2	26-0382
20	GREEN TERMINAL	2	26-0384
21	END CLAMP TERMINAL	2	26-0388
22	JUMPER FOR TERMINAL	2	26-0686
23	JUMPER FOR TRANSFORMER	2	26-5663

PER VAN AIR TERMS AND CONDITIONS OF SALE

**YOUR VAN AIR REPRESENTATIVE IS:**

NAME: \_\_\_\_\_

COMPANY: \_\_\_\_\_

ADDRESS: \_\_\_\_\_

CITY: \_\_\_\_\_ STATE: \_\_\_\_\_ ZIP: \_\_\_\_\_

PHONE: \_\_\_\_\_ FAX: \_\_\_\_\_

**ATTACH BUSINESS CARD HERE**



MAKING COMPRESSED AIR AND GAS WORK BETTER SINCE 1944.

2950 Mechanic Street  
Lake City, PA 16423 USA  
Phone: 800/840-9906  
Service Fax: 814/774-0778  
Order Entry Fax: 814/774-3482  
[www.vanairsystems.com](http://www.vanairsystems.com)



## T775A/B/M Series 2000 Electronic Stand-Alone Controllers

### INSTALLATION INSTRUCTIONS



### PRODUCT DESCRIPTION

The T775 electronic stand-alone controllers are the next generation of commercial and agricultural controls capable of remote sensing of temperature and providing switched and/or proportional outputs to various types of loads.

Five models have analog (modulating) outputs for actuator and motor control, and NEMA-4 weatherproof enclosures are available for wet environments.

#### IMPORTANT

*Each T775A/B/M controller is an operating control, not a limit or safety control. If used in applications requiring safety or limit controls, a separate safety or limit control device is required.*

Table 1. T775A/B/M Controller Configurations.

Controller Model <sup>a</sup>	Description	Replaces	SPDT Relay Outputs	Analog (Mod) Outputs <sup>b</sup>	Floating Outputs <sup>c</sup>	Sensor Inputs	Nbr of Sensors Included	Enclosure
T775A2009	Standard	T775A1001	1	None	None	1	1	NEMA 1
T775B2016	Standard	N/A	2	None	1	2	1	NEMA 4X
T775B2024	Standard	T775C1009 T775D1008	4	None	2	2	1	NEMA 4X
T775B2032	Standard	T775A1019 T775B1000	2	None	1	2	1	NEMA 1
T775B2040	Standard	T775A1027 T775A1035 T775B1018 T775B1026 T775B1042	4	None	2	2	1	NEMA 1
T775M2006	Modulating	N/A	None	2	N/A	2	1	NEMA 1
T775M2014	Modulating	T775G1005 T775G1013 T775G1021 T775G1039	4	2	N/A	2 <sup>d</sup>	1	NEMA 4X
T775M2022	Modulating	N/A	2	2	N/A	2 <sup>d</sup>	1	NEMA 4X
T775M2030	Modulating	T775E1114 T775F1022 T775F1055 T775F1089	4	2	N/A	2 <sup>d</sup>	1	NEMA 1
T775M2048	Modulating	T775E1015 T775E1023 T775E1056 T775E1064 T775E1098	2	2	N/A	2 <sup>d</sup>	1	NEMA 1

<sup>a</sup> All models include a digital input for use with the disable or setback option.

<sup>b</sup> The modulating (analog) outputs are 4-20 mA, 0-10 Vdc, 2-10 Vdc, or Series 90 selectable.

<sup>c</sup> Each floating output eliminates two SPDT relays.

<sup>d</sup> These models can support a high/low modulating limit at Sensor B for temperature control at Sensor A.



62-0254-03

### Temperature Sensors<sup>a</sup>

The controller accepts 1,097 Ohms PTC at 77°F (25°C):

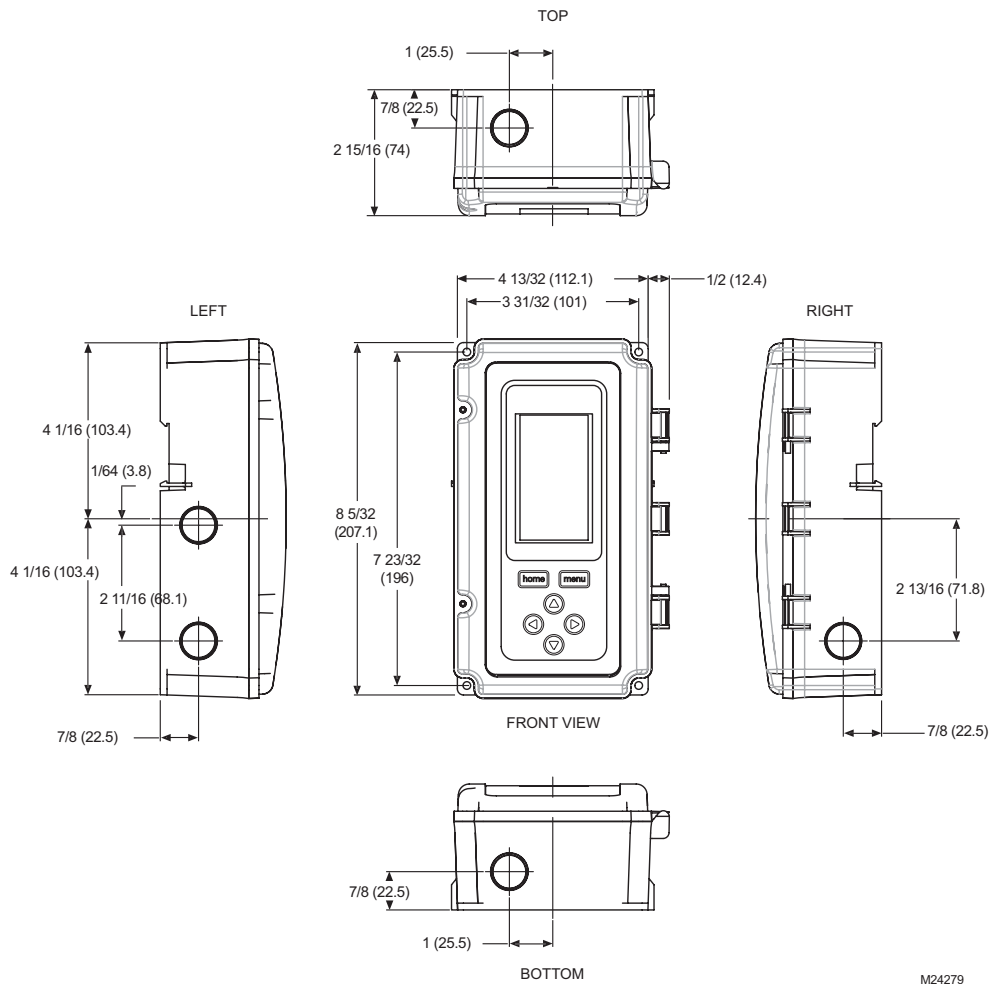
- 50021579-001 – Standard sensor (included with all models except NEMA 4X models)
- T775-SENS-WR – Water resistant with 5 foot leads (included with NEMA 4X models)
- T775-SENS-WT – Watertight with 6 foot lead
- T775-SENS-OAT – Outdoor air temperature sensor
- C7031D2003 – 5 inch immersion sensor with wiring box (use immersion well; P/N 50001774-001)
- C7031J2009 – 12 foot duct averaging sensor with wiring box
- C7046D1008 – 8 inch duct probe with mounting flange
- C7100D1001 – 12 inch fast response, duct averaging sensor with flange
- C7130B1009 – Room mount sensor

### Accessories

- 107324A – Bulb Holder, duct insertion
- 107408 – Heat Conductive Compound, 4 ounce
- 50001774-001 – Immersion Well, stainless steel 304, 1/2 in. threading

<sup>a</sup> See form 62-0265 – Temperature Sensors for the T775 Series 2000 Stand-alone Controller

### Controller Dimensions



M24279

Fig. 1. T775A/B/M dimensions in inches (mm).

## BEFORE INSTALLATION

Review the “Specifications” on page 35 before installing the controller.

### When Installing This Product

1. Read these instructions carefully. Failure to follow them could damage the product or cause a hazardous condition.
2. Check ratings given in instructions and on the product to ensure the product is suitable for your application.
3. Installer must be a trained, experienced service technician.
4. After installation is complete, check out product operation as provided in these instructions.

## INSTALLATION AND SETUP

The following installation procedures are typically performed in the order listed:

1. Mounting — see “Mounting” below.
2. Wiring — see “Wiring” on this page.
3. Checkout — see page 10.
4. Programming — see page 13.
5. Scheduling (optional) — see page 30.

Additional topics are:

- Temperature sensor calibration begins on page 10.
- Interface overview begins on page 11.
- Setup (for advanced options) begins on page 17.
- Summary menu begins on page 34.
- Troubleshooting begins on page 34.

## MOUNTING

This section describes the mounting procedures for the controller and temperature sensor(s).

### Controller Mounting

#### IMPORTANT

*Avoid mounting in areas where acid fumes or other deteriorating vapors can attack the metal parts of the controller circuit board, or in areas where escaping gas or other explosive vapors are present.*

#### IMPORTANT

*The controller must be mounted in a position that allows clearance for wiring, servicing, and removal.*

Use a screwdriver to pry out only the knockouts that you will use.

If mounting on DIN rail, be sure to remove the knockouts before mounting. See “Controller Wiring” on page 5 and Fig. 7 on page 6 for recommended knockout usage and locations. If you do not use an opened knockout be sure to cover it.

Mount the controller on any convenient interior location using the four mounting holes provided on the back of the enclosure using #6 or #8 screws (screws are not provided and must be obtained separately). Use controller dimensions in Fig. 1 on page 2 as a guide.

The controller may be mounted in any orientation. However, mounting in the orientation shown in Fig. 1 permits proper viewing of the LCD display and use of the keypad.

### NEMA 4 Enclosure Mounting

For models with NEMA 4 enclosures, ensure that waterproof wire/conduit fittings are used at the knockouts for all wiring attachments. See Fig. 7 on page 6 for knockout locations.

#### IMPORTANT

*For NEMA 4 enclosures, be sure to cover and seal all unused open knockouts.*

### Temperature Sensor(s) Mounting and Location

Temperature sensors may be located up to 1,000 feet (304 m) from the T775A/B/M controller. See Table 3 on page 10 for calibration guidelines.

The sensors may be mounted on a wall or panel for sensing space temperature, strapped to a pipe or inserted in an immersion well (see Fig. 2) for hot or cold water sensing, or taped to a standard cap or bulb holder for duct air sensing. To prevent moisture or condensation entering the sensor through the lead wire holes, mount the sensor with the lead wires exiting the bottom of the sensor.

#### NOTES:

1. The included sensor is not designed for very wet applications. For immersion applications, an immersion well is used.
2. Heat conductive compound must be used in immersion wells.
3. See “Temperature Sensors” on page 2 for this type of installation.

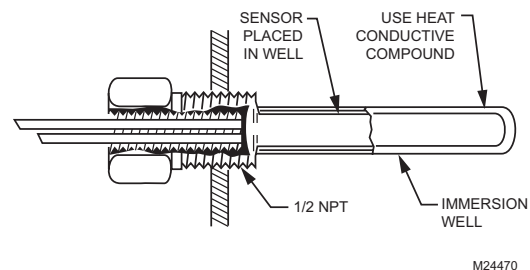


Fig. 2. Sensor inserted in immersion well.

NOTE: Multiple sensors may be parallel-series wired to sense average temperatures in large spaces. See Fig. 3 on page 4.

## WIRING

All wiring must comply with applicable electrical codes and ordinances, or as specified on installation wiring diagrams. Controller wiring is terminated to the screw terminal blocks located inside the device.

The remainder of this section describes the temperature sensor wiring and the T775A/B/M controller wiring.

### Wiring Connections Access

To access the wiring connections, remove the two screws on the left side of the enclosure and gently swing open the top. Be careful to not stress the ribbon cables that connect the keypad and LCD display to the controller circuit board.

### Temperature Sensor Wiring

#### CAUTION

**Electrical Shock Hazard.**

**Can short equipment circuitry.**

Make sure that metal tube of sensor does not short against T terminals in wall-mounted case.

#### IMPORTANT

Poor wiring practices can cause erratic readings from the sensor. Avoid the following to ensure proper operation:

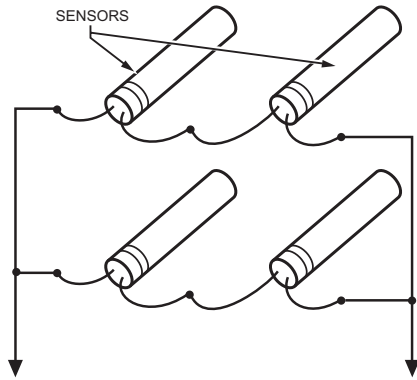
- Do not route the temperature sensor wiring with building power wiring.
- Do not locate the temperature sensor wiring next to control contactors.
- Do not locate the temperature sensor wiring near electrical motors.
- Do not locate the temperature sensor wiring near welding equipment.
- Make sure good mechanical connections are made to both the sensor and the controller.
- Do not mount the sensor with the lead wire end pointing up in an area where condensation can occur.

If any of the above conditions cannot be avoided, use shielded cable.

NOTE: Each T775 controller must be wired to its own sensor(s). However, a benefit of the T775 controller's accuracy is that there is no more than a 2°F differential between any two T775 controllers.

### Multiple Parallel Sensors

Multiple sensors can be parallel-series wired to sense average temperatures in large spaces. To maintain control accuracy, the number of sensors to be parallel-series wired must be of the n<sup>2</sup> power (for example, 4, 9, 16, etc.). See Fig. 3.



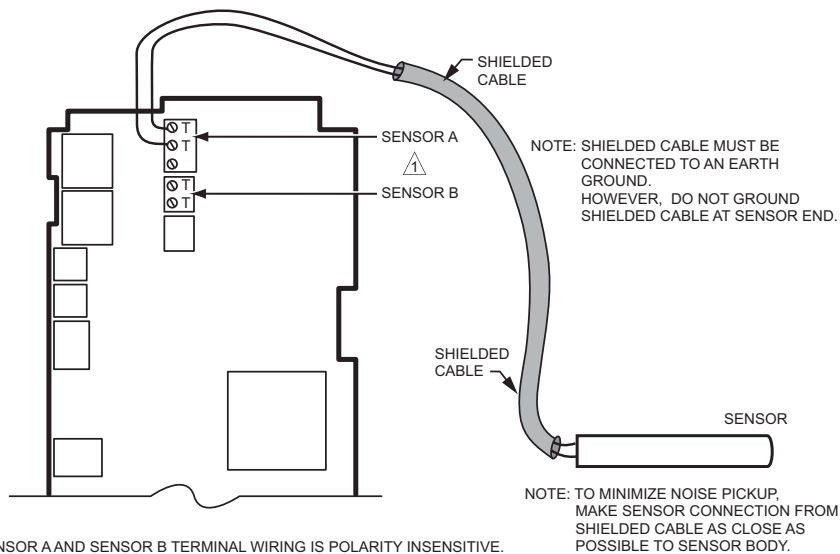
TO T775 CONNECTIONS (SENSOR A) OR (SENSOR B).  
M24471

Fig. 3. Parallel-series wiring of sensors.

### Temperature Sensor Wire Type and Size

Temperature sensors use standard AWG 18/2 unshielded wire. For cable runs greater than 25 feet or where electrical interference may be a problem, shielded cable is recommended. See Fig. 4.

Refer to "Temperature Sensor Calibration" on page 10 for wire size selection where cable runs are longer than 25 feet.



⚠ SENSOR A AND SENSOR B TERMINAL WIRING IS POLARITY INSENSITIVE.

M24472

Fig. 4. Sensor wiring — showing shielded cable connection to Sensor A.

## Controller Wiring

### **⚠ WARNING**

**Electrical Shock Hazard.**  
Can cause severe injury, death or property damage.

Disconnect power supply before beginning wiring, or making wiring connections, to prevent electrical shock or equipment damage.

### **⚠ CAUTION**

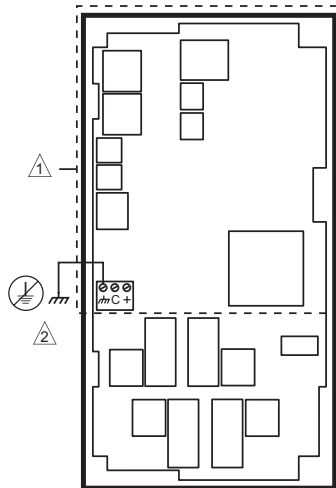
**Do not use 24 Vac power to power any external loads if 120 Vac or 240 Vac is used to power the T775A/B/M controller.**

### **⚠ CAUTION**

**A separate earth ground is required.**  
Equipment damage can result if the earth ground is not connected. See Fig. 5 and Table 2 on page 6.

### **⚠ CAUTION**

**Equipment Damage Hazard.**  
Electrostatic discharge can short equipment circuitry.  
Ensure that you are properly grounded before handling the unit.



⚠ NO HIGH VOLTAGE. CLASS 2 WIRING ONLY.

⚠ EARTH GROUND TERMINAL MUST BE CONNECTED TO CONDUIT CLAMP LOCALLY.

M24296

Fig. 5. Earth Ground.

### **IMPORTANT**

Poor wiring practices can cause erratic readings from the sensor. To ensure proper operation, ensure that good mechanical connections are made to both the sensor and the controller.

### **IMPORTANT**

When wiring the input power, only one source of power can be applied to the T775A/B/M controller (24 Vac or 120 Vac or 240 Vac).

See Fig. 7 on page 6 for locating the appropriate power input, remote sensors input, low voltage, contact closure, and load output terminals.

Access to the terminals can be gained through standard conduit knockouts (A through E in Fig. 7 on page 6) located around the perimeter of the enclosure:

- Knockouts A and B should be used only for sensor and low-voltage wiring.
- Knockouts C, D, and E can be used to gain access to the load relay output terminals and 120/240 Vac power wiring.

### Controller Wiring Method

Wire the sensors and outputs, then wire the power connection.

Each terminal can accommodate the following gauges of wire:

- Single wire – from 14 AWG to 22 AWG solid or stranded
- Multiple wires – up to two 22 AWG stranded

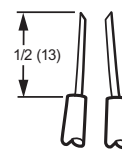
For 24, 120, or 240 Vac power connections:

Single wire – from 14 to 18 AWG solid or stranded

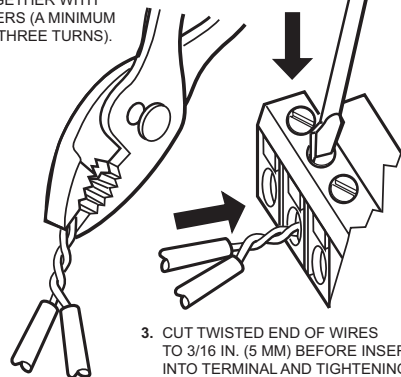
Prepare wiring for the terminal blocks, as follows:

1. Strip 1/2 in. (13 mm) insulation from the conductor.
2. Cut a single wire to 3/16 in. (5 mm). Insert the wire in the required terminal location and tighten the screw.
3. If two or more wires are being inserted into one terminal location, twist the wires together a minimum of three turns before inserting them to ensure proper electrical contact.
4. Cut the twisted end of the wires to 3/16 in. (5 mm) before inserting them into the terminal and tightening the screw.
5. Pull on each wire in all terminals to check for good mechanical connection.

1. STRIP 1/2 IN. (13 MM) FROM WIRES TO BE ATTACHED AT ONE TERMINAL.



2. TWIST WIRES TOGETHER WITH PLIERS (A MINIMUM OF THREE TURNS).



3. CUT TWISTED END OF WIRES TO 3/16 IN. (5 MM) BEFORE INSERTING INTO TERMINAL AND TIGHTENING SCREW. THEN PULL ON EACH WIRE IN ALL TERMINALS TO CHECK FOR GOOD MECHANICAL CONNECTION.

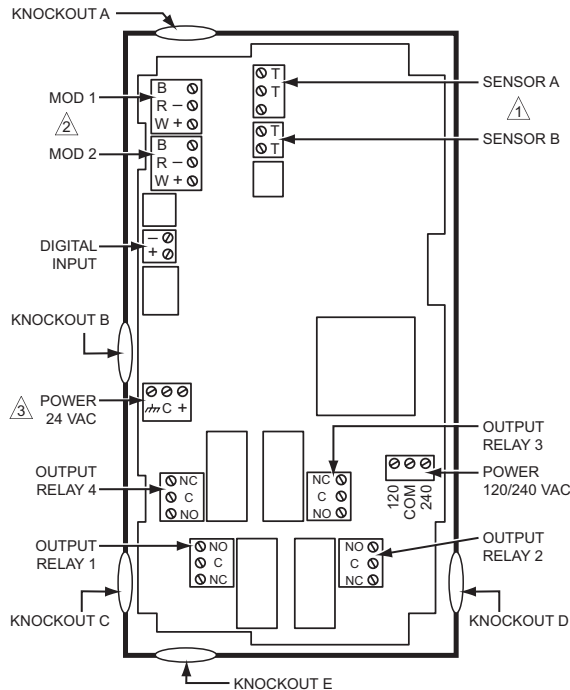
M24473

Fig. 6. Attaching two or more wires at terminal blocks.

### Controller Wiring Details

The wiring connection terminals are shown in Fig. 7 and are described in Table 2.

See Fig. 8 – Fig. 20 beginning on page 6 for typical T775A/B/M wiring applications.



- 1 SENSORS A AND B USE THE TWO TT CONNECTIONS AND ARE POLARITY INSENSITIVE.
  - 2 FOR MOD 1 AND MOD 2 CURRENT (mA) OR VOLTAGE (VDC) OUTPUT, USE SIGNAL (+) & COMMON (-). FOR MOD 1 AND MOD 2 SERIES 90 OUTPUT, USE W, R, & B.
  - 3 A SEPARATE EARTH GROUND IS REQUIRED FOR ANY POWER SOURCE (24, 120, OR 240 VAC).
- M24474

**Fig. 7. T775A/B/M terminal and feature locations.**

NOTE: Refer to Table 1 on page 1 for the specific configuration of sensors and outputs supported by the model you are installing.

NOTE: For NEMA 4 enclosures, use waterproof fittings for wiring/conduit connections at knockouts.

**Table 2. Description of Wiring Terminal Connections.**

Connection	Terminal Label	Description
<b>Sensors</b>		
Sensor A	T T	Temperature Sensor; polarity insensitive
Sensor B		
<b>Outputs</b>		
Relay 1 Relay 2 Relay 3 Relay 4	NO COM NC	120-240 Vac Relay Output
Mod 1	+ - (Vdc or mA)	Modulating Output
Mod 2	W R B (Series 90) <sup>a</sup>	

**Table 2. Description of Wiring Terminal Connections. (Continued)**

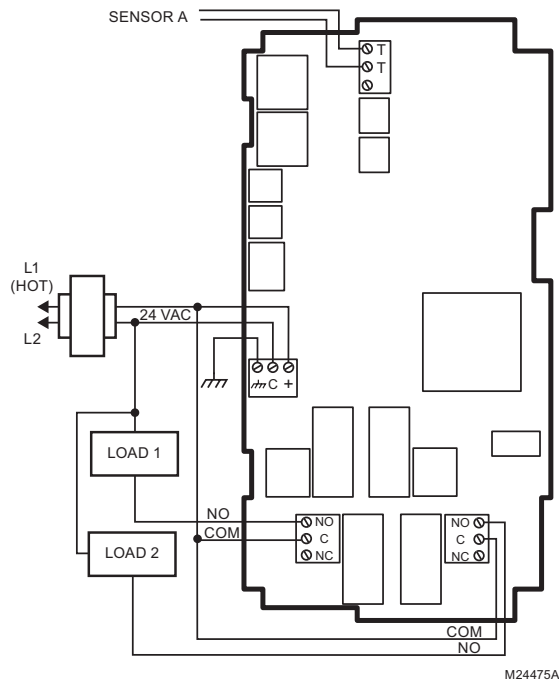
Connection	Terminal Label	Description
<b>Input</b>		
DI	+ -	Digital Input (dry contact)
<b>24 Vac Power</b>		
24V +	+	24 Vac Hot
Common	C	24 Vac Common
Ground	⏏	Earth Ground <sup>b</sup>
<b>120 or 240 Vac Power</b>		
120 Vac	120	120 Vac Power
Common	COM	Common
240 Vac	240	240 Vac Power

<sup>a</sup> For Series 90 connections, you must insert a 340 Ohm resistor across terminals R and W. See Fig. 17 on page 8. The resistor is included with the controller.

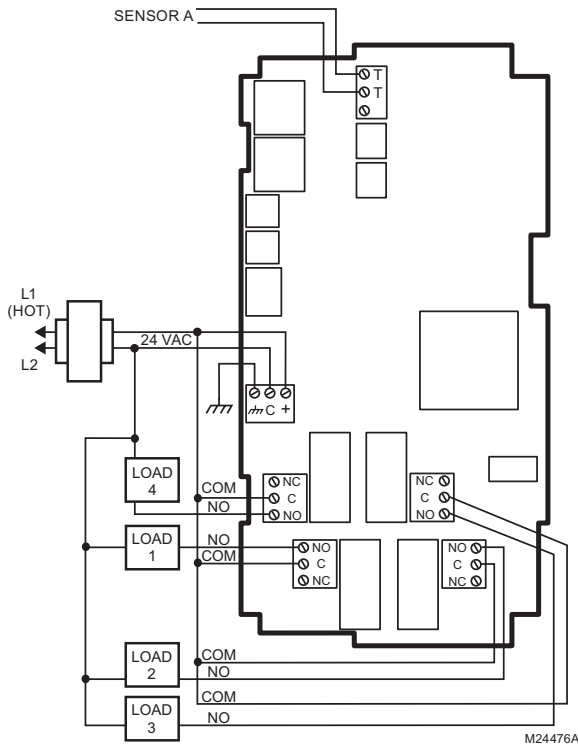
<sup>b</sup> A separate earth ground is required for all installations regardless of the power source (24, 120, or 240 Vac). See Fig. 5 on page 5.

### WIRING APPLICATIONS (EXAMPLES)

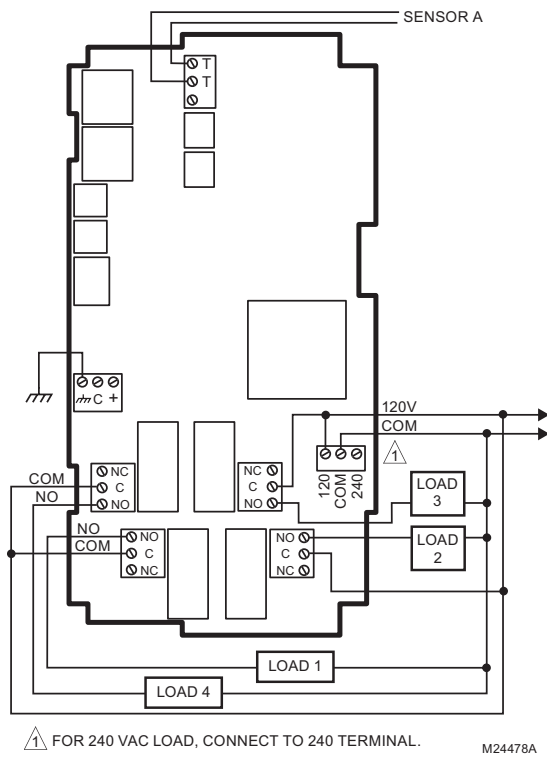
Fig. 8 – 20 illustrate typical controller wiring for various applications.



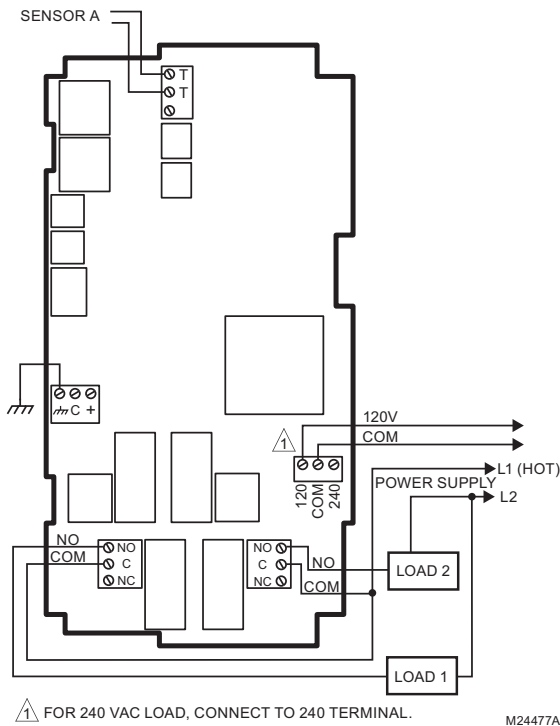
**Fig. 8. Wiring for two-stage control – 24 Vac input and 24 Vac load.**



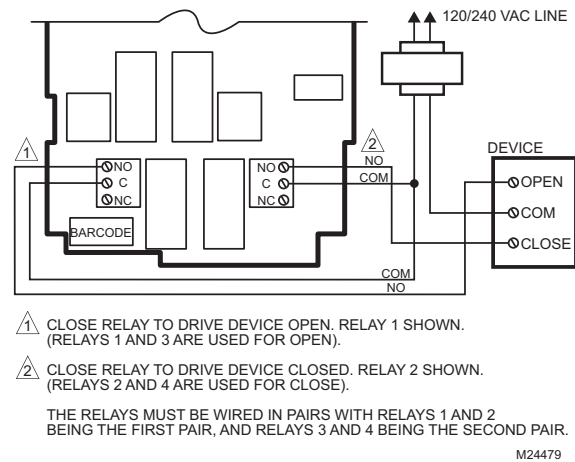
**Fig. 9. Wiring for four-stage control – 24 Vac input and 24 Vac load.**



**Fig. 11. Wiring for four-stage control with 120 or 240 Vac (120 Vac input and 120 Vac load shown).**



**Fig. 10. Wiring for two-stage control with 120 or 240 Vac (120 Vac input and 120 Vac load shown).**



**Fig. 12. Wiring for floating output (Relay 1 and Relay 2 pair shown).**

- ⚠ CLOSE RELAY TO DRIVE DEVICE OPEN. (RELAYS 1 AND 3 ARE USED FOR OPEN).
  - ⚠ CLOSE RELAY TO DRIVE DEVICE CLOSED. (RELAYS 2 AND 4 ARE USED FOR CLOSE).
- THE RELAYS MUST BE WIRED IN PAIRS WITH RELAYS 1 AND 2 BEING THE FIRST PAIR, AND RELAYS 3 AND 4 BEING THE SECOND PAIR.

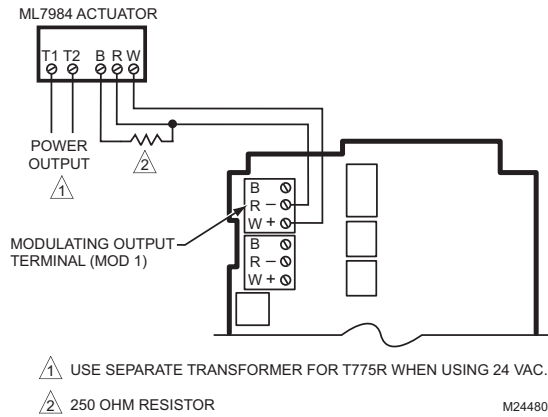


Fig. 13. Wiring for ML7984 valve actuator.

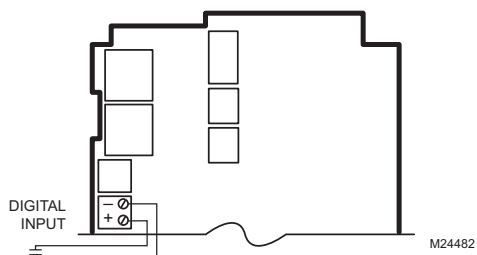


Fig. 14. Wiring for Digital Input (dry contact).

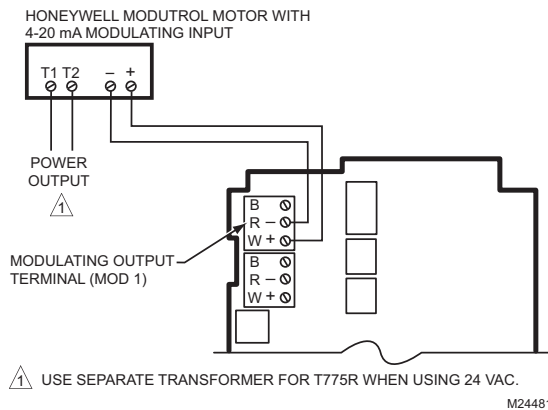


Fig. 15. Wiring for mod motor or direct coupled actuator with 4 to 20 mA control input.

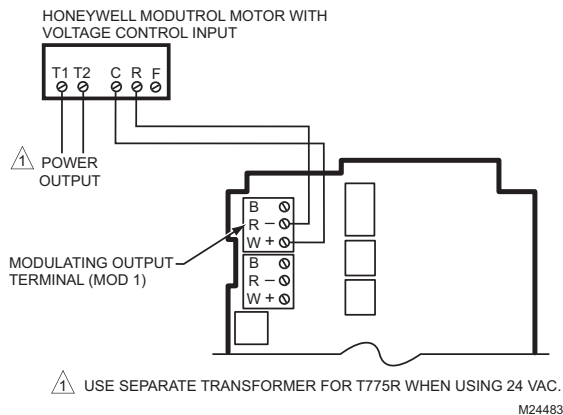


Fig. 16. Wiring for mod motor or direct coupled actuator with 0 to 10 Vdc control input.

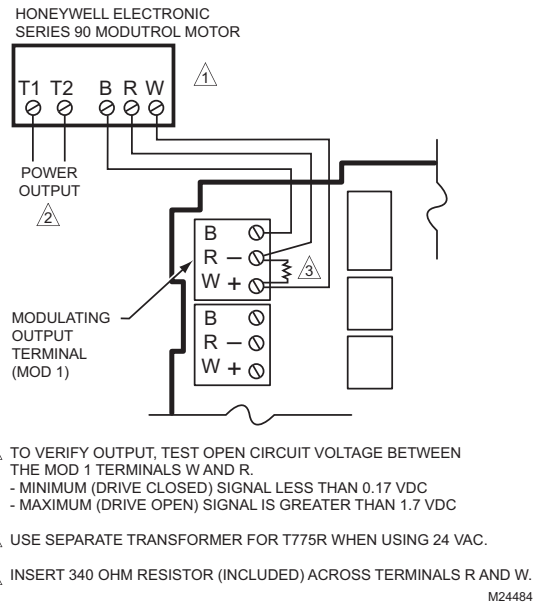


Fig. 17. Wiring for Series 90 Modutrol Motor Control.

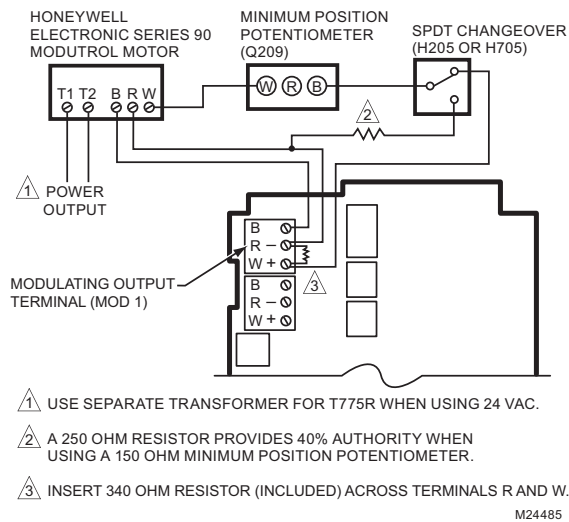
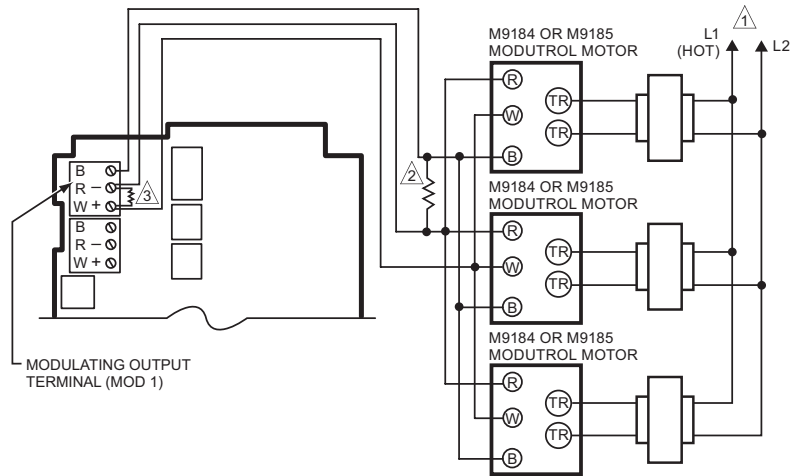


Fig. 18. Wiring for changeover relay and minimum position potentiometer used with Series 90 Modutrol Motors.

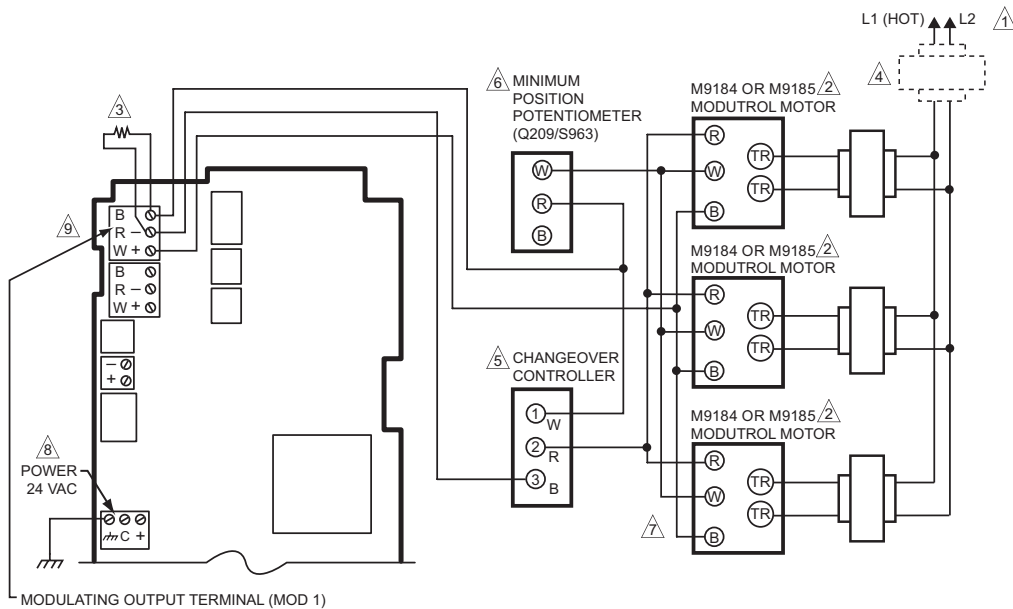




- ① POWER SUPPLY. PROVIDE DISCONNECT MEANS AND OVERLOAD PROTECTION AS REQUIRED.
- ② USE A 1300 OHM RESISTOR FOR TWO MOTORS, 910 OHM RESISTOR FOR THREE MOTORS. THE 407EAU RESISTOR KIT, WHICH IS SHIPPED WITH THE M9184 AND M9185 MOTORS, INCLUDES BOTH RESISTORS.
- ③ INSERT 340 OHM RESISTOR (INCLUDED) ACROSS TERMINALS R AND W.

M24486

**Fig. 19. Wiring for three Series 90 Modutrol Motors.**



- ① POWER SUPPLY. PROVIDE DISCONNECT MEANS AND OVERLOAD PROTECTION AS REQUIRED.
- ② UP TO SIX SIMILAR MOTORS CAN BE CONNECTED IN UNISON.
- ③ USE RESISTOR BETWEEN R AND B ON THE MOD 1 TERMINAL: 1300 OHMS FOR TWO MOTORS; 910 OHMS FOR THREE MOTORS (4074EAU KIT).
- ④ IF COMMON TRANSFORMER IS USED, ALL MOTORS MUST BE IN PHASE. CONNECT THE SAME TRANSFORMER LEAD TO T1 ON EACH MOTOR, CONNECT THE OTHER TRANSFORMER LEAD TO T2 ON EACH MOTOR.
- ⑤ USE TEMPERATURE CONTROLLER SUCH AS H205 OR H705, OR T675A FOR CHANGEOVER CONTROL.
- ⑥ AUTHORITY OF MINIMUM POSITION POTENTIOMETER, IF USED, INCREASES WITH THE NUMBER OF MOTORS IN PARALLEL. WITH ONE MOTOR, 50% STROKE; WITH TWO MOTORS, 100% STROKE; WITH THREE MOTORS, 100% STROKE WITH 1/3 OF FULL POTENTIOMETER ROTATION.
- ⑦ REVERSING THE B AND W TERMINALS ON ONE OR MORE MOTORS WILL NOT AFFECT CONTROL PERFORMANCE ON THE OTHER MOTORS. THE SYSTEM CAN BE CONFIGURED TO HAVE SOME MOTORS BE REVERSE ACTING AND OTHER MOTORS BE DIRECT ACTING.
- ⑧ USE SEPARATE TRANSFORMER FOR T775 WHEN POWERING FROM 24 VAC.
- ⑨ THE SYSTEM IS SHOWN CONNECTED FOR COOLING. FOR HEATING, REVERSE THE W AND B LEADS OF THE MODULATING OUTPUT ON THE T775 CONTROLLER.

M24487

**Fig. 20. Wiring for unison control of M9184 or M9185 Modutrol IV Motor using one minimum position potentiometer for all motors.**

# CHECKOUT

Inspect all wiring connections at the controller terminals, and verify compliance with the installation wiring diagrams.

## ⚠ WARNING

**Electrical Shock Hazard.**  
**Can cause severe injury, death or property damage.**  
 Disconnect power supply before beginning wiring or making wiring connections, to prevent electrical shock or equipment damage.

If any wiring changes are required, *first* be sure to remove power from the controller *before* starting work. Pay particular attention to verifying the power connection (24, 120, or 240 Vac).

After the controller is installed and wired, apply power.

## Power Loss

The date and time settings are retained for 24 hours after a power outage. After a power loss of more than 24 hours, the date and time settings may need to be reentered. All other settings are stored permanently.

## Temperature Sensor Calibration

As wire length increases, resistance increases and thus the temperature reading increases. If necessary, calibrate the sensor input by reducing the value by the amount shown in the Table 3. For example, a wire run with 18 gauge wire of 1,000 feet, requires a calibration offset of -6.0°F.

### IMPORTANT

*If the calibration value in the table exceeds the controller's calibration limits of +/-10°F (+/-6°C), you must use a heavier gauge wire.*

*For example, with a wire run of 1,000 feet you must use 20 AWG wire or heavier in order to calibrate for wire loss within the limits of the controller.*

See "2.2.2.2. CALIBRATE (the sensor)" on page 18 for the instructions to enter the calibration value.

**Table 3. Temperature Sensor Calibration for Resistance Loss due to Wire Length.**

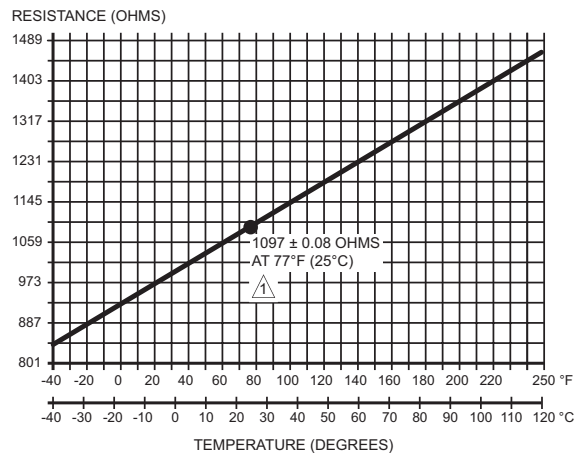
AWG Rating	mΩ/ft	Temperature Offset in °F (Foot) <sup>a</sup>		
		200 ft	500 ft	1,000 ft
14	2.5	0.46	1.14	2.28
16	4.0	0.72	1.82	3.64
18	6.4	1.16	2.90	5.82
20	10.2	1.86	4.64	9.28
22	16.1	2.92	7.32	14.64

AWG Rating	mΩ/m	Temperature Offset in °C (Meter) <sup>a</sup>		
		100 m	200 m	300 m
14	8.3	0.44	0.86	1.30
16	13.2	0.68	1.38	2.06
18	21.0	1.10	2.18	3.28
20	33.5	1.74	3.48	5.22
22	52.8	2.74	5.48	8.22

<sup>a</sup> This is the distance from the controller to the sensor (already accounts for round trip distance).

Fig. 21 shows how sensor resistance varies with temperature for a sensor having a positive temperature coefficient (PTC) of 2.1 Ohms per degree F (3.85 Ohms per degree C).



⚠ POSITIVE TEMPERATURE COEFFICIENT (PTC) OF 2.1 OHMS PER °F  
 M24304

**Fig. 21. Sensor Resistance vs. Temperature.**

## INTERFACE OVERVIEW

The T775A/B/M controllers use an LCD panel and 6-button keypad to provide status information and permit user input of the programming, setup, and scheduling parameters.

The following figure describes the display areas of the LCD and the keypad.

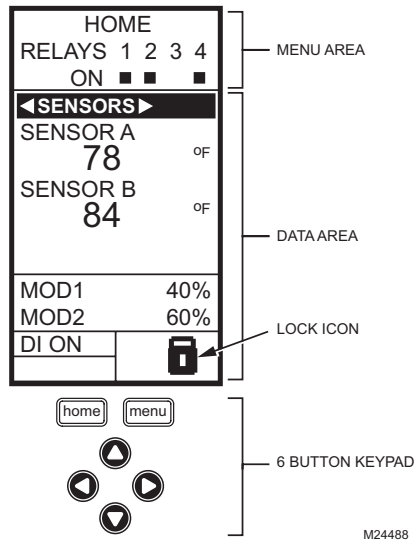


Fig. 22. LCD Display - Home Screen And Keypad.

**Menu Area** – On the home screen, the LCD displays the configured relays and whether they are active. In Program, Setup or Schedule mode, the LCD displays the current menu selection and its order within the menu hierarchy.

**Data Area** – On the home screen, the LCD displays the sensors and outputs status. In Setup or Program mode, the LCD displays menu choices, parameter selections, and data values.

**Lock Icon** – The icon indicates the **MENU** button is locked and prevents access to the Setup and Program menus.

**NOTE:** Pressing and holding the **HOME** and **MENU** buttons simultaneously for five seconds locks/unlocks the **MENU** button.

**6-Button Keypad** – The keypad is used to access the menus and enter values (see “Using the LCD Panel Interface”).

### Using the LCD Panel Interface

The 6-button keypad is used to move through the menus and enter or change parameter values.

#### Home Button

Pressing the **HOME** button at any time exits the current Programming or Setup display screen and returns to the home screen as shown in Fig. 22 and Fig. 23.

#### Menu Button

- Pressing the **MENU** button always displays the Program menu. If you are in Setup mode, you exit setup and return to the Program menu.
- Pressing and holding the MENU button for five seconds leaves the current screen and displays the Setup menu.**

#### Left and Right Arrow Buttons (◀ and ▶)

Use these buttons to move backward (◀) and forward (▶) through the Program and Setup menus.

#### Up and Down Arrow Buttons (▲ and ▼)

Use these buttons to move your selection up and down through a menu or list.

- When the desired item is highlighted, you press the ▶ arrow button to display that item’s content.
- When a value is displayed (e.g. 70°F), the up and down arrows increase and decrease the value.

**NOTE:** Once you select an item from a list or enter a value, pressing the ◀ or ▶ or HOME button accepts your selection or value and stores it in the controller’s memory.

#### Home Screen

In the normal run state, the LCD home screen displays the current sensed temperatures, the modulating outputs status, the active status of the output relays, and error and status codes.

Active relays are indicated by the small black square (■) just below the relay number. Fig. 23 shows the home screen with relays 1, 2, and 4 energized.

Pressing the ◀ and ▶ buttons from the home screen cycles through each modulating output that is paired with the sensor it controls and the active output relays.

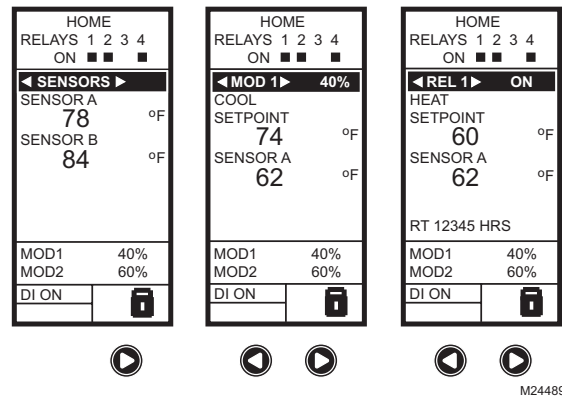


Fig. 23. LCD Display - Home Screen Displaying Sensors, Active Relays, and Mod Outputs.

**NOTE:** The modulating output home screen and the relay home screen do not dynamically update the active relay status, sensor values, and modulating output percentages. The information is a snapshot taken when you press the ◀ or ▶ button to display the screen.

#### IMPORTANT

*After four minutes of inactivity (no buttons pressed), the LCD display reverts to the home screen display.*

## Accessing the Menus

Menus are used for programming, scheduling, viewing the summary settings, and setup of advanced options.

### Programming, Scheduling, and Summary Menus

To access these menus from the home screen, press the **MENU** button. See Fig. 24.

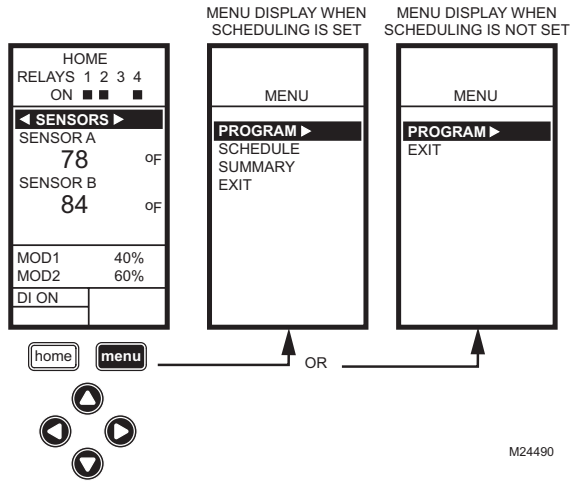


Fig. 24. Menus.

Depending on whether scheduling is enabled or not, the LCD displays one of two menus as shown in Fig. 24. Scheduling is enabled from the Setup menu's Output settings (see "2.3.3.1. USE SCHED" on page 24).

### Setup Menu

To access the Setup menu, press and hold the **MENU** button for five seconds. See Fig. 25.

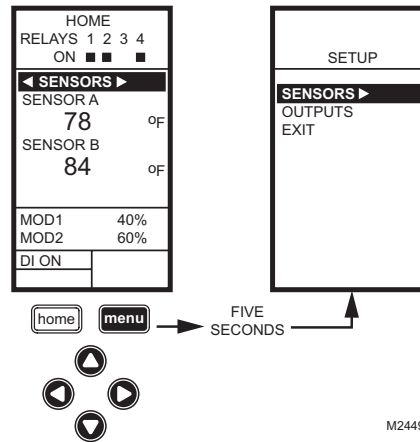


Fig. 25. Setup Menu.

### Using the Menus

When you are working with the menus, use the:

- **Left arrow button (◀)** to scroll backward through the menus
- **Right arrow button (▶)** to select the highlighted menu item and display its content
- **Up and Down arrow buttons (▲ and ▼)** to scroll up and down through a list of items or to increase or decrease the value of a displayed parameter

**NOTE:** If you press the **HOME** button or there is no keypad activity for four minutes, you exit Program mode and return to the home screen.

If you press the **MENU** button, you exit and return to the menu.

## 1. PROGRAMMING

The controller must be programmed before being placed into service.

### IMPORTANT

*During programming, the controller is live at all times. For example, the contacts may open and close when adjusting the setpoint.*

The Programming process uses a hierarchical menu structure that is easy to use. You press the ◀ and ▶ arrow buttons to move forward and backward through the menus.

### NOTES:

1. The controller interface is intuitive. You may find that you do not need the following procedure instructions to program the controller. You may want to use this procedure simply as a reference to locate the particular option or parameter of interest.
2. The menus can display only those relays that are defined in Setup (see "2.3.2. NBR OF RELAYS" on page 24). For example, if you configure only two relays, then only two relays display on the appropriate menus.
3. If you press the **HOME** button or there is no keypad activity for four minutes, you exit Program mode and return to the home screen.
4. If you press the **MENU** button, you exit Program mode and return to the menu.

## Setpoint and Differential

The following describes the relationship between setpoint and differential for heating and cooling. These settings are programmed for each output relay.

### Heating Mode Setpoint and Differential

In heating mode, the differential is below the setpoint. The relay de-energizes when the temperature rises to the setpoint. As the temperature drops to the setpoint minus the differential, the relay energizes.

### Cooling Mode Setpoint and Differential

In cooling mode, the differential is above the setpoint. The relay de-energizes when the temperature falls to the setpoint. As the temperature rises to the setpoint plus the differential, the relay energizes.

## Setpoint High Limit

You can set a single irreversible setpoint high limit maximum value, which is applied to all outputs.

Adjust the setpoint (at any output) to the desired maximum setpoint. Then, simultaneously press the **home**, ◀, and ▶ buttons and continue to press all three buttons for five seconds to set the setpoint high limit maximum to this value.

**NOTE:** You must press all three buttons at exactly the same time for this action to occur.

### IMPORTANT

1. This action sets the maximum setpoint value of **all** outputs to the setpoint high limit maximum.
2. Setting the high limit setpoint maximum is **irreversible**. If you perform the action inadvertently and this setpoint adversely affects the control of your system, you must replace the controller.

## Programming the T775A/B/M Controller

To program the controller, perform the following procedures in the order listed:

1. Enter Program mode — see “1.1. Entering Program Mode”
2. Program the Outputs — see “1.2. Program Menu for Outputs” on page 14

When programming is complete, you may continue with “3. Scheduling” on page 30 or, for advanced options, continue with “2. Setup (Advanced Options)” on page 17.

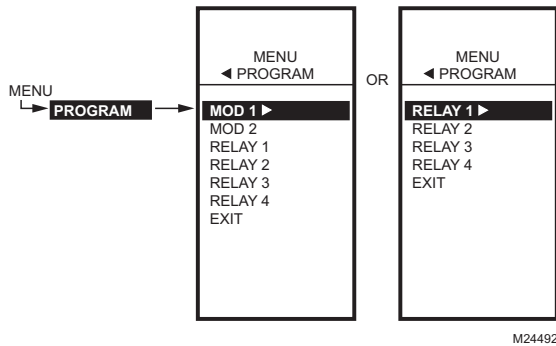


Fig. 26. Program Menu.

### 1.1. Entering Program Mode

Press the **MENU** button, then select PROGRAM and press the **▶** button to view the Program menu.

Fig. 26 shows the Program menus for controllers with and without Modulating Outputs.

NOTE: Modulating outputs are not available on the T775A and T775B controller models.

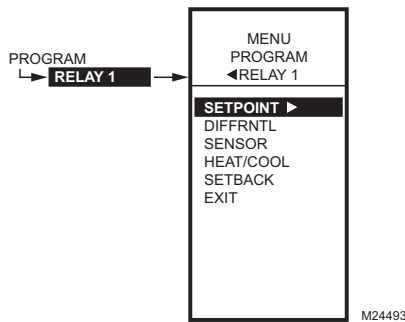


Fig. 27. Program Menu Outputs.

### 1.2. Program Menu for Outputs

Press the **MENU** button, select PROGRAM, then select RELAY 1 (or MOD 1) to view the parameters. Fig. 27 shows RELAY 1.

NOTE: For MOD 1 and 2, THROT RNG replaces DIFFRNTL.

NOTE: The Setback parameter displays only if scheduling is enabled (see Fig. 55 on page 24) or the DI Option is set to Setback. (see Fig. 57 on page 25).

Continue with “1.2.1. SETPOINT”.

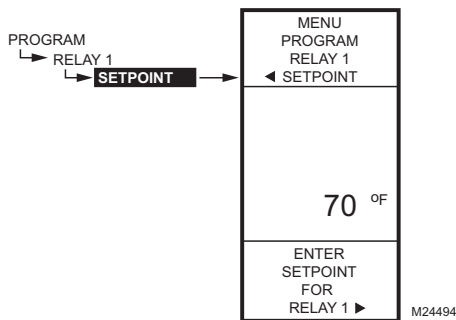


Fig. 28. Program - Setpoint.

#### 1.2.1. SETPOINT

1. From the menu, use the **▲** and **▼** buttons to highlight SETPOINT.
2. Press the **▶** button to display the setpoint value.
3. Use the **▲** and **▼** buttons to increase/decrease the desired setpoint temperature.  
Default: 70°F (21°C)  
Range: -40°F to 248°F (-40°C to 120°C)
4. Press the **▶** button to accept the setpoint temperature and display the next option.

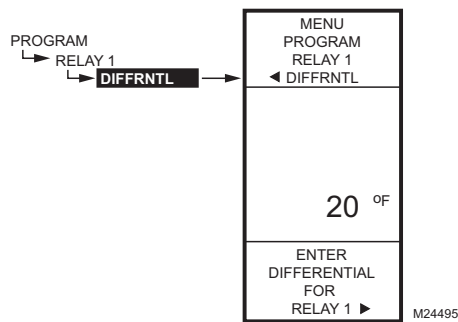


Fig. 29. Program - Differential or Throttling Range.

### 1.2.2. DIFFERENTIAL or THROTTLING RANGE

Differential is used for Relay outputs and Throttling Range is used for Modulating outputs.

1. From the menu, use the ▲ and ▼ buttons to highlight THROT RNG or DIFFERNTL.
2. Press the ► button to display the throttling range value.
3. Use the ▲ and ▼ buttons to increase/decrease the desired value.  
Default: 20°F (-6.6°C)  
Range: 1°F to 150°F (1°C to 66°C).
4. Press the ► button to accept the value and display the next option.

In heating mode, the Differential is below the setpoint. The relay de-energizes when the temperature rises to the setpoint. As the temperature drops to the setpoint minus the Differential, the relay energizes.

In cooling mode, the Differential is above the setpoint. The relay de-energizes when the temperature falls to the setpoint. As the temperature rises to the setpoint plus the Differential, the relay energizes.

The Throttling Range brackets the setpoint setting, e.g., if the setpoint is 72°F and the throttling range is 10°F, then the effective throttling temperature range is 67°F to 77°F. This applies to both modulating outputs and floating outputs.

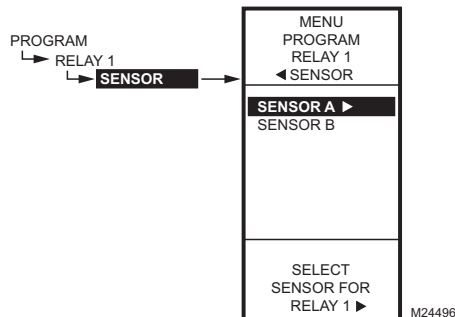


Fig. 30. Program - Sensor.

### 1.2.3. SENSOR

1. From the menu, use the ▲ and ▼ buttons to highlight SENSOR.
2. Press the ► button to display the sensor selections.
3. Use the ▲ and ▼ buttons to select Sensor A or B.
4. Press the ► button to accept the highlighted sensor and display the next option.

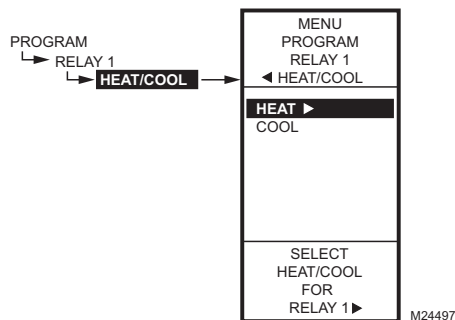


Fig. 31. Program - Heat/Cool.

### 1.2.4. HEAT/COOL

1. From the menu, use the ▲ and ▼ buttons to highlight HEAT/COOL.  
Default: HEAT
2. Press the ► button to display the heat and cool selections.
3. Use the ▲ and ▼ buttons to select Heat or Cool.
4. Press the ► button to accept the highlighted selection and display the next option.

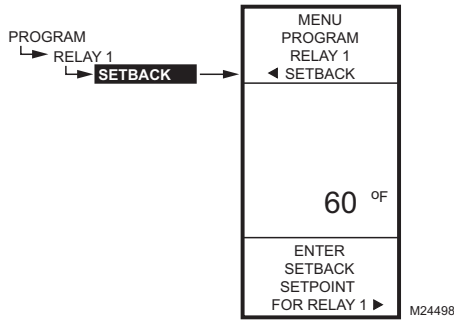


Fig. 32. Program - Setback.

### 1.2.5. SETBACK

The Setback temperature option displays if scheduling is enabled (see Fig. 55 on page 24) or the DI Option is set to Setback. (see Fig. 57 on page 25).

This is the desired setpoint temperature that you want to use during setback mode for this output. For example, if your setpoint is 70°F and you want the temperature to drop 10°F during setback mode, enter 60°F as the setpoint for this output.

1. From the menu, use the ▲ and ▼ buttons to highlight SETBACK.
2. Use the ▲ and ▼ buttons to increase/decrease the desired setpoint temperature.  
 Default: 60°F (16°C)  
 Range: -40°F to 248°F (-40°C to 120°C)
3. Press the ► button to accept the value and display the menu.

### 1.2.6. Program Next Output (Mod or Relay)

For the next output (Mod or Relay), select the desired output from the Program menu (see Fig. 26 on page 14).

Go to "1.2.1. SETPOINT" on page 14 to program the next output.

When you finish programming the outputs, continue with "1.2.7. Exiting Program Mode" on page 16.

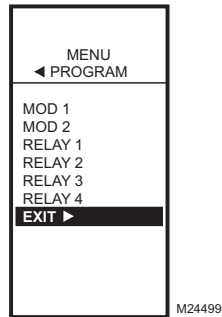


Fig. 33. Program - Exit.

### 1.2.7. Exiting Program Mode

Press the HOME button to leave programming mode and return to the home screen.

This completes the programming procedure.



## 2. SETUP (ADVANCED OPTIONS)

Setup provides the ability to change the factory default settings for the temperature sensors and outputs, to enable/disable reset control, and to enable/disable scheduling.

NOTE: The controller interface is intuitive. You may find that you do not need the following setup instructions for the sensors and outputs. You may want to use this procedure simply as a reference to locate the particular option or parameter of interest.

### NOTES:

1. If you press the **HOME** button or there is no keypad activity for four minutes, you exit Setup mode and return to the home screen.
2. If you press the **MENU** button, you exit Setup mode and return to the menu.

### Setup Procedure

The Setup process uses a hierarchical menu structure that is easy to use. You press the ◀ and ▶ arrow buttons to move forward and backward through the menus.

NOTE: The menus can display only those relays that are defined in Setup (see "2.3.2. NBR OF RELAYS" on page 24). For example, if you configure only two relays, then only two relays display on the appropriate menu.

Once in Setup mode, you use the —

- **Left arrow button (◀)** to scroll backward through the Setup menus
- **Right arrow button (▶)** to select the highlighted menu item and display its content
- **Up and Down arrow buttons (▲ and ▼)** to scroll up and down through a list of items or to increase or decrease the value of a displayed setup parameter

To change the controller's sensors and output setup parameters, perform the following procedures in the order listed:

1. Enter Setup mode — see "2.1. Entering Setup Mode"
2. Setup Sensors — see "2.2. Setting up the Sensors"
3. Setup Outputs — see "2.3. Setting up the Outputs" on page 21
4. Exit Setup Mode — see "2.4. EXIT Setup Mode" on page 29

### 2.1. Entering Setup Mode

To enter Setup mode, press and hold the **MENU** button for five seconds to display the Setup menu. See Fig. 25 on page 12.

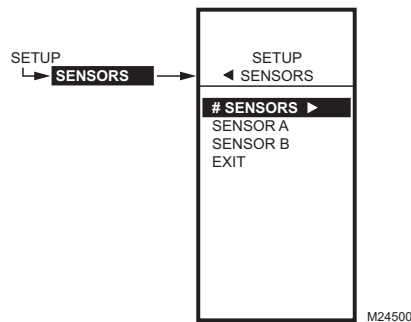


Fig. 34. Setup - Sensors Menu.

### 2.2. Setting up the Sensors

1. From the Setup menu, use the ▲ and ▼ buttons to highlight SENSORS.
2. Press the ▶ button to display the Sensors menu.

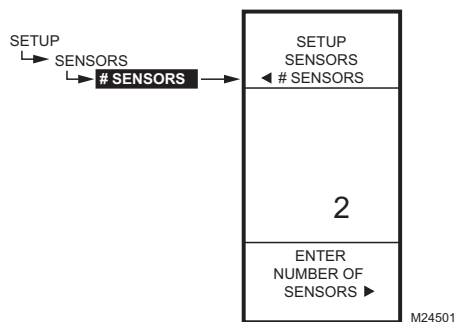


Fig. 35. Setup - Sensors - Number of Sensors.

#### 2.2.1. Number of SENSORS

The value entered here determines the number of sensors displayed on the home screen.

1. From the Sensors menu, highlight # SENSORS then press the ▶ button to display the number of sensors.
2. Use the ▲ and ▼ buttons to enter the number of sensors (1 or 2).  
Default: 2
3. Press the ▶ button to accept the value and display the SENSOR A selection.

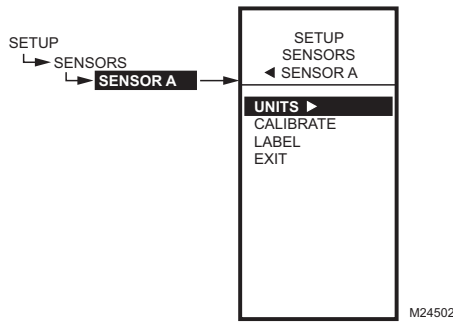


Fig. 36. Setup - Sensors - Sensor A Menu.

### 2.2.2. SENSOR A

1. From the Sensors menu, highlight SENSOR A.
2. Press the ► button to display the Sensor A selections.

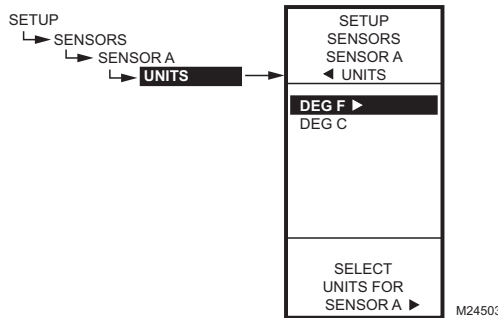


Fig. 37. Setup - Sensors - Sensor A - Units.

#### 2.2.2.1. UNITS (°F or °C)

**IMPORTANT**

*This is a global change and affects the unit values for all temperature parameters on all displays.*

*The UNITS screen displays only for Sensor A.*

1. From the Sensor A selections, use the ▲ and ▼ buttons to highlight UNITS.
2. Press the ► button to display the temperature units.
3. Use the ▲ and ▼ buttons to highlight F or C.  
Default: F (Fahrenheit)
4. Press the ► button to accept the units and return to the Sensor A selections.

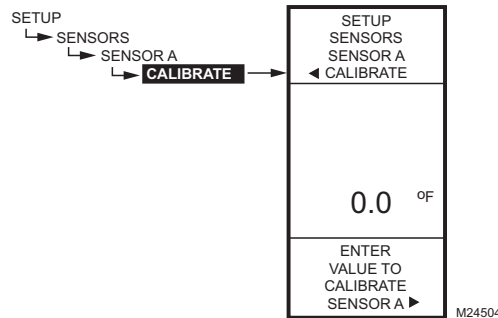


Fig. 38. Setup - Sensors - Sensor A - Calibrate.

#### 2.2.2.2. CALIBRATE (the sensor)

Ensure that the wire size calibration value is within the limits. See "Temperature Sensor Calibration" on page 10.

1. From the Sensor A selections, use the ▲ and ▼ buttons to highlight CALIBRATE.
2. Press the ► button to display the calibration degree value.
3. Use the ▲ and ▼ buttons to increase/decrease the desired calibration degrees.  
Default: 0.0  
Range: +/-10°F (+/-6°C)
4. Press the ► button to accept the value and return to the Sensor A selections.

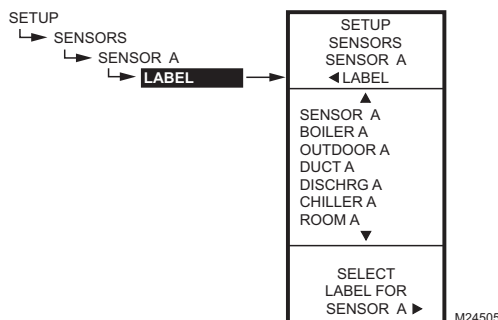


Fig. 39. Setup - Sensors - Sensor A - Label.

#### 2.2.2.3. LABEL (the sensor input)

For a sensor already labeled, the display positions to and highlights that label.

1. From the Sensor A selections, use the ▲ and ▼ buttons to highlight LABEL.
2. Press the ► button to display the label list.
3. Use the ▲ and ▼ buttons to scroll through list and highlight the desired label.  
You may need to scroll up or down to view all possible labels.
4. Use the ► button to accept the highlighted label and exit the list.

NOTE: The label names in list order are: Sensor, Boiler, Outdoor, Duct, Dischrg, Chiller, Room, Supply, Return, and Animals.

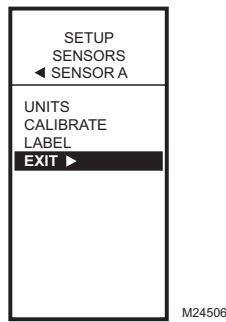


Fig. 40. Setup - Sensors - Sensor A - Exit.

### 2.2.2.4. Exit Sensor A Setup

Press the ◀ button to exit Sensor A selections and return to the Sensors menu.

or

Use the ▲ and ▼ buttons to highlight EXIT and press the ▶ button.

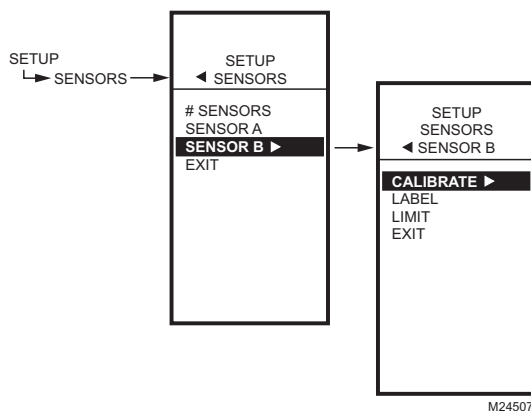


Fig. 41. Setup - Sensors - Sensor B Menu.

### 2.2.3. SENSOR B

For the T775M2030 and T775M2048 models only, which have a High/Low modulating temperature limit, the LIMIT item displays on the Sensor B menu.

1. From the Sensors menu, use the ▼ button to highlight SENSOR B.
2. Press the ▶ button to display the Sensor B menu.

#### 2.2.3.1. CALIBRATE

Setting the calibration value is accomplished the same way as the Sensor A. See "2.2.2.2. CALIBRATE (the sensor)" on page 18 above.

#### 2.2.3.2. LABEL

Setting the label is accomplished the same way as the Sensor A. See "2.2.2.3. LABEL (the sensor input)" on page 18 above.

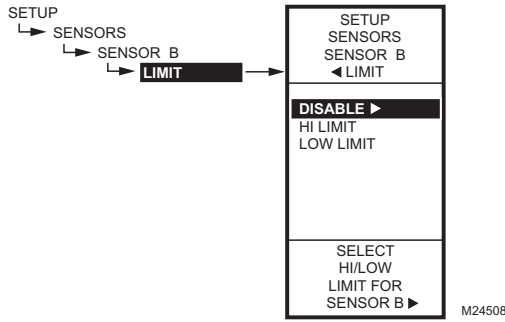


Fig. 42. Setup - Sensors - Sensor B - Limit.

**2.2.4. LIMIT (Sensor B only)**

For the T775M2030 and T775M2048 models only, the LIMIT item displays on the Sensor B menu.

NOTE: The LIMIT option acts *only* on Modulating Output 1.

1. From the Sensors menu, use the ▼ button to highlight SENSOR B.
2. Press the ► button to display the Sensor B menu.
3. Use the ▲ and ▼ buttons to select the LIMIT item.
4. Use the ► button to display the Limit selections.
5. Use the ▲ and ▼ buttons to select the desired limit, (Disable, Hi Limit, or Low Limit).  
Default: Disable
6. Press the ► button to accept the value and return to the Sensor B menu.

When you select Hi Limit or Low Limit, the Sensor B menu changes and adds the Hi/Low Limit and Throttling Range items.

If you are setting a Hi or Low Limit, continue with “2.2.4.1. HI LIMIT or LOW LIMIT (Sensor B only)”.

If you selected Disable for the Limit value, continue with “2.3. Setting up the Outputs” on page 21.

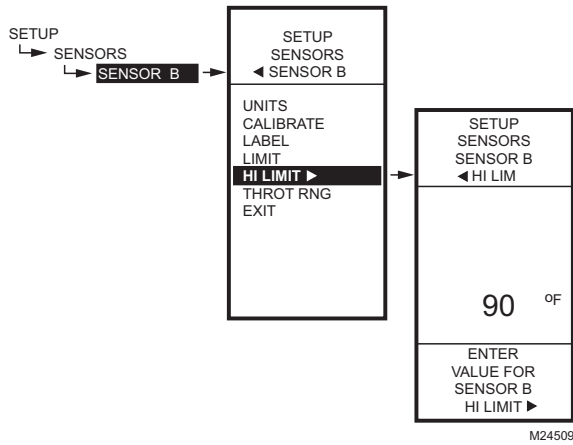


Fig. 43. Setup - Sensors - Sensor B - Hi/Low Limit (showing Hi Limit).

**2.2.4.1. HI LIMIT or LOW LIMIT (Sensor B only)**

Fig. 43 shows the Hi Limit (Heat mode), but the process is the same for setting the Low Limit (Cool mode). For proper operation, the high limit should be used only in the Heat mode, and the low limit only in the Cool mode.

Sensor B can be assigned a high/low limit, so that as you are controlling temperature at Sensor A, the control adjusts its modulating output to prevent exceeding the user-entered limit for Sensor B.

1. From the Sensor B menu, use the ▼ button to highlight HI LIMIT or LOW LIMIT.
2. Press the ► button display the LIMIT value.
3. Use the ▲ and ▼ buttons to increase/decrease the desired Limit value.
4. Press the ► button to accept the value and return to the Limit menu.

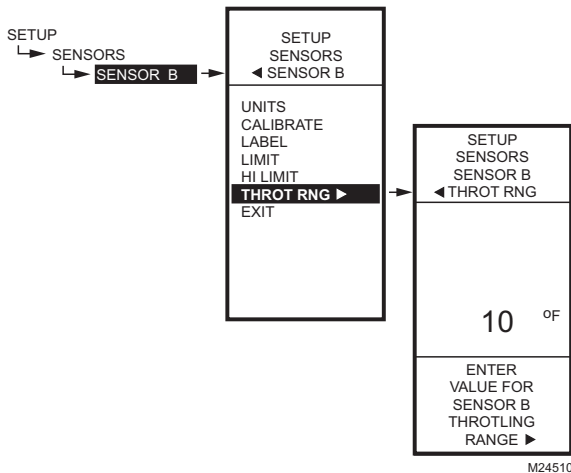


Fig. 44. Setup - Sensors - Sensor B - Throttling Range.

**2.2.4.2. THROTTLING RANGE (Sensor B only)**

The throttling range for the modulating high or low limit positions the setpoint at the end of the throttling range. For example, with a high (Heat) limit at Sensor B of 200°F and a throttling range of 10°F, the modulating output controlling Sensor A begins to throttle back at 190°F, and fully closes at 200°F. Conversely, the throttling range for the low limit begins above the Cooling setpoint in the same manner.

1. From the Limit menu, use the ▼ button to highlight THROT RNG.
2. Use the ▲ and ▼ buttons to increase/decrease the desired value for the Throttling Range. Default = 0
3. Press the ► button to accept the value and return to the Limit menu.
4. Press the ◀ button to exit the Limit menu.
5. Press the ◀ button to exit the Sensors menu and return to the Setup menu.

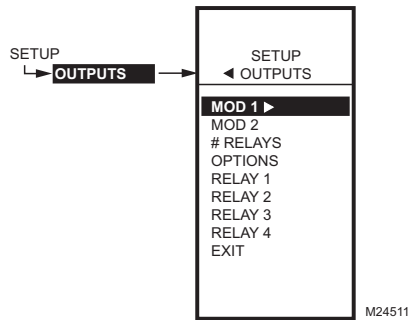


Fig. 45. Setup - Outputs Menu.

**2.3. Setting up the Outputs**

1. From the Setup menu, use the ▲ and ▼ buttons to highlight OUTPUTS.
2. Press the ► button to display the Outputs menu.

NOTE: The menus (e.g. the Outputs menu shown here) can display only those relays that are defined in Setup (see page 24). For example, if you configure only two relays, then only two relays display on the appropriate menus.

The following procedures set up each modulating output and relay output.

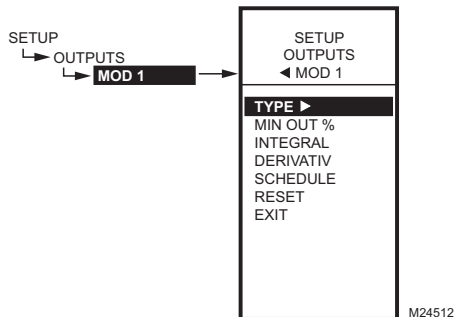


Fig. 46. Setup - Outputs - Modulating Output Menu.

**2.3.1. Setting up the Modulating Outputs**

1. From the Output menu, use the ▲ and ▼ buttons to highlight the desired modulating output (MOD 1 or MOD 2).
2. Press the ► button to display the selected MOD menu.

NOTE: Modulating outputs are not available on the T775A and T775B controller models. If you are setting up one of these controllers, skip to "2.3.2. NBR OF RELAYS" on page 24.

Use the remaining procedures, beginning with "2.3.1.1. TYPE (of output signal)", to set up each modulating output. If you have two modulating outputs, repeat these procedures for each modulating output.

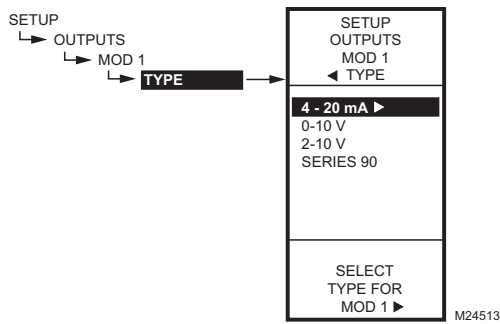


Fig. 47. Setup - Outputs - Mod Out - Type.

2.3.1.1. TYPE (of output signal)

1. From the Mod menu, use the ▲ and ▼ buttons to highlight TYPE.
2. Press the ► button to display the Type selections.
3. Use the ▲ and ▼ buttons to highlight the desired output type.  
Default: 4-20 mA
4. Press the ► button to accept the selected type and return to the Mod menu.

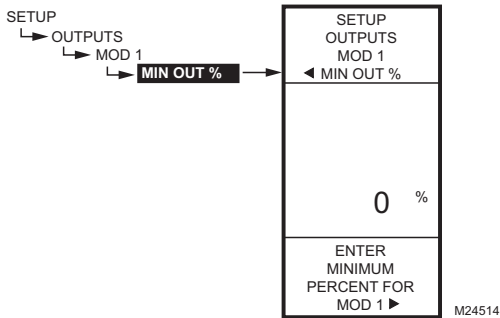


Fig. 48. Setup - Outputs - Mod Out - Minimum Output Percentage.

2.3.1.2. MIN OUT %

The minimum output % prevents the output from dropping below the value entered. This value can be useful to maintain minimum damper position.

Using the time clock or digital input to disable the output forces the output to 0%.

1. From the Mod menu, use the ▲ and ▼ buttons to highlight MIN OUT %.
2. Press the ► button to display the Min Out %.
3. Use the ▲ and ▼ buttons to increase/decrease the desired value from 0% to 100% in 1% increments.  
Default: 0%  
Range: 0 to 100%
4. Press the ► button to accept the percentage and return to the Mod menu.

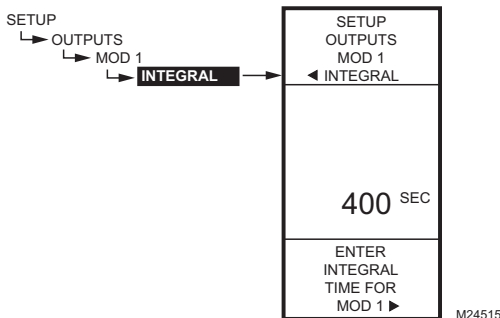


Fig. 49. Setup - Outputs - Mod Out - Integral.

2.3.1.3. INTEGRAL

1. From the Mod menu, use the ▲ and ▼ buttons to highlight INTEGRAL.
2. Press the ► button to display the Integral seconds.
3. Use the ▲ and ▼ buttons to increase/decrease the value from 0 to 3,600 in 10 second increments.  
Default: 400 seconds  
Range: 0 to 3,600 seconds
4. Press the ► button to accept the seconds and return to the Mod menu.

NOTES:

1. The Integral time is factory set for 400 seconds. This is a good middle range and should satisfy many applications. The integral time can be increased for applications where sensed response is slow, and can be decreased for applications where sensed response is fast (e.g. discharge air control).
2. As a starting point, an optimal integral time for discharge air typically ranges from 12 to 200 seconds. An optimal integral time for room control typically ranges from 60 to 2,500 seconds. The purpose of integral action is to reduce or eliminate the offset from setpoint during steady state control that is often seen in proportional only control.
3. Keep in mind that control is most sensitive to throttling range. Adjust the throttling range first before any adjustment to integral time. Adjust throttling range to be as wide as possible to start since this will provide the most stable control. Remember that the integral will eliminate the steady state error so you do not need to have a small throttling range to have accurate control. (Integral action allows for controlling to a setpoint even with a wide throttling range).

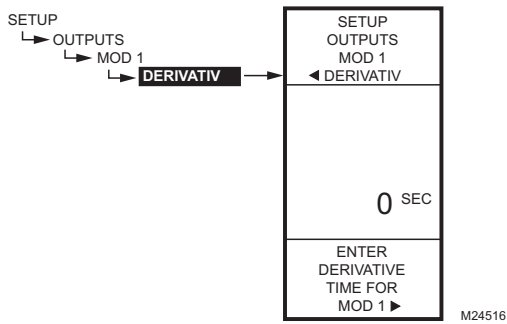


Fig. 50. Setup - Outputs - Mod Out - Derivative.

### 2.3.1.4. DERIVATIVE

The Derivative default value is factory set to zero (no derivative control). It is strongly recommended that the derivative remain at zero (0) unless you have a very good reason to adjust it. Derivative control is not needed in the vast majority of HVAC applications.

1. From the Mod menu, use the ▲ and ▼ buttons to highlight DERIVATIV.
2. Press the ► button to display the Derivative seconds.
3. Use the ▲ and ▼ buttons to increase/decrease the value.  
Default: 0 (zero)  
Range: 0 to 3,600 seconds
4. Press the ► button to accept the seconds and return to the Mod menu.

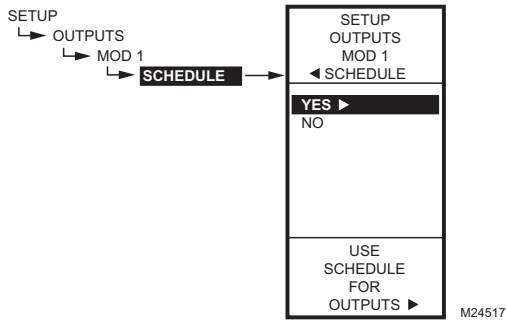


Fig. 51. Setup - Outputs - Mod Out - Schedule.

### 2.3.1.5. SCHEDULE

The Schedule option displays only if the USE SCHED parameter is set to Yes (see page 24).

1. From the Mod menu, use the ▲ and ▼ buttons to highlight SCHEDULE.
2. Use the ▲ and ▼ buttons to highlight YES or NO.  
Default: YES
3. Press the ► button to accept the selection and return to the Mod menu.

Each output can be set up to follow or ignore the built in scheduler. To disable the scheduler for all outputs, see “2.3.3.1. USE SCHED” on page 24.

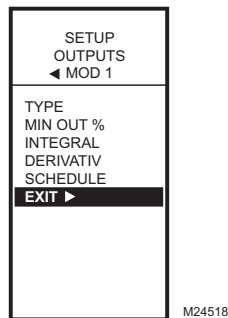


Fig. 52. Setup - Outputs - Mod Out - Exit.

### 2.3.1.6. EXIT

Press the ◀ button (or highlight EXIT and press the ► button) to exit the Mod menu and return to the Outputs menu.

If you have a second modulating output to configure, go to “2.3.1. Setting up the Modulating Outputs” on page 21.

If you are finished setting up the modulating outputs, continue with “2.3.2. NBR OF RELAYS”.

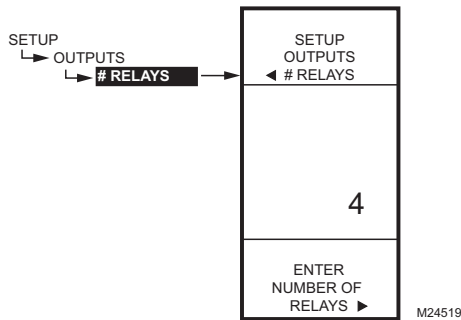


Fig. 53. Setup - Outputs - Number of Relays.

### 2.3.2. NBR OF RELAYS

1. From the Outputs menu, use the ▲ and ▼ buttons to highlight # RELAYS.
2. Press the ▶ button to display the number of relays.
3. Use the ▲ and ▼ buttons to display the number from 1 to 4 depending on the model. (See notes below.)
4. Press the ▶ button to accept the value and display the Outputs menu.

NOTES:

1. The T775A/B/M models have the following outputs available:
  - T775A2019 1 relay output
  - T775B2016 up to 2 relay outputs
  - T775B2024 up to 4 relay outputs
  - T775B2032 up to 2 relay outputs
  - T775B2040 up to 4 relay outputs
  - T775M2006 no relay outputs
  - T775M2014 up to 4 relay outputs
2. The number of relay outputs entered here determines how many relays display on the home screen.

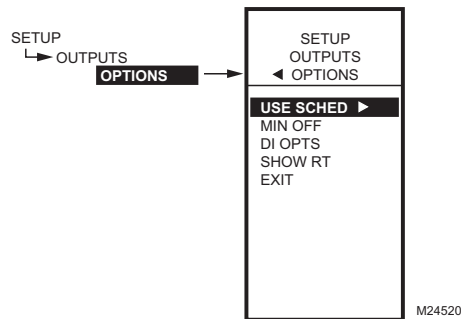


Fig. 54. Setup - Outputs - Options Menu.

### 2.3.3. OPTIONS

1. From the Outputs menu, use the ▲ and ▼ buttons to highlight OPTIONS.
2. Press the ▶ button to display the Options menu.

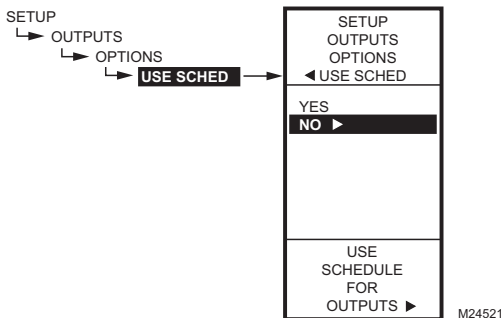


Fig. 55. Setup - Outputs - Options - Schedule.

#### 2.3.3.1. USE SCHED

1. Press the ▶ button to display the schedule selections.
2. Use the ▲ and ▼ buttons to highlight YES or NO. Default: NO
3. Press the ▶ button to accept the value and display the MIN OFF option.

Selecting NO disables scheduling for **all** outputs.

Selecting YES enables scheduling for **all** outputs. When YES is selected, all individual outputs default to follow the schedule. However, each individual output can be removed from scheduling as desired.

With Scheduling enabled, when you return to Program mode, the new option for Scheduling displays. You can press the home key and then the menu key to view the Schedule options in the menu.

See "2.3.1.5. SCHEDULE" on page 23.



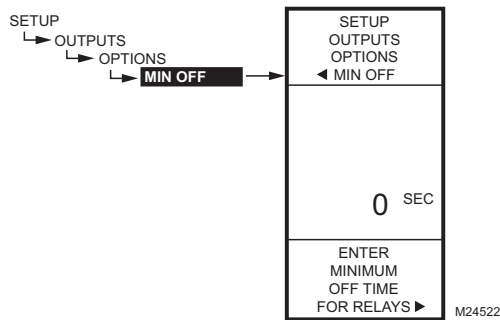


Fig. 56. Setup - Outputs - Options - Min Off Time.

### 2.3.3.2. MIN OFF (minimum off time for all relays)

This is the minimum number of seconds of "off time" for all relays.

1. Press the ► button to display the Min Off value.
2. Use the ▲ and ▼ buttons to increase/decrease the desired number of seconds from 0 to 990 seconds in 10 second increments.  
Default: 0 (zero)  
Range: 0 to 990 seconds
3. Press the ► button to accept the seconds and display the DI OPTIONS.

#### NOTES:

1. The minimum off time applies to **all** relay outputs.
2. When minimum off time is active, relays waiting to be energized display a flashing square underneath the relay number on the home screen.
3. If the minimum off time is not equal to zero (0), the minimum off time activates at power-up. To manually override, press the ◀ button at any time.

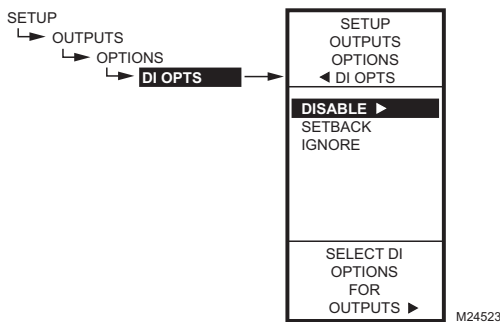


Fig. 57. Setup - Outputs - Options - DI Options.

### 2.3.3.3. DI OPTIONS (digital input options)

The DI Option you select applies to **all** outputs. This option overrides any Setpoint/Setback values entered in the Schedule.

1. Press the ► button to display the DI Option selections.
2. Use the ▲ and ▼ buttons to highlight DISABLE, SETBACK, or IGNORE.  
Default: DISABLE
3. Press the ► button to accept the value and display the SHOW RT option.

When the digital input (DI) closes, all outputs follow the DI option value (Disable, Setback, or Ignore):

- **DISABLE** disables the outputs; relays return to de-energized state and Mod outputs return to 0% output.
- **SETBACK** enables a setback temperature value to be programmed for each output.  
— To program the Setback temperature, see Fig. 32 on page 16.
- **IGNORE** causes the digital input to have no effect on the Relay or Mod outputs.

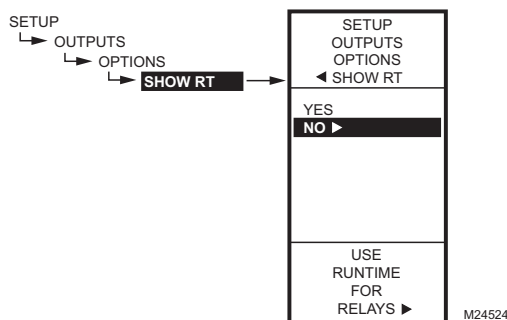


Fig. 58. Setup - Outputs - Options - Show Runtime.

### 2.3.3.4. SHOW RT (show run time hours)

1. Press the ► button to display the Show RT values.
2. Use the ▲ and ▼ buttons to select YES or NO.  
Default: YES
3. Press the ► button to accept the value and return to the Options menu.

Selecting YES shows the RT (run time) hours for **each** relay on the home screen displays.

NOTE: Run times can be reset to zero for each individual relay. You must do this for each relay that you want to reset to zero. See "2.3.4.3. RESET RT (run time hours)" on page 28.

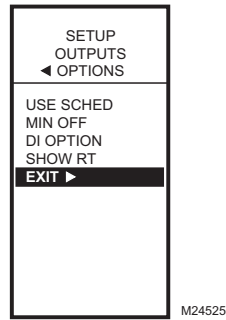


Fig. 59. Setup - Outputs - Options - Exit.

**2.3.3.5. Exit Options Setup**

Press the < LEFT button (or highlight EXIT and press the > RIGHT button) to exit and return to the Outputs menu.

Continue with "2.3.4. Setting up the Relays"

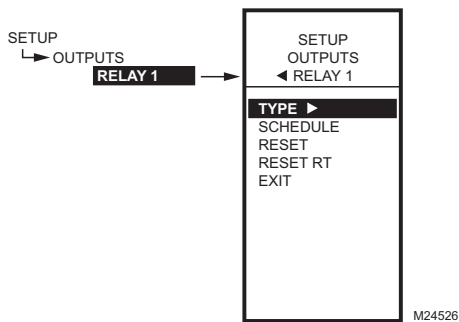


Fig. 60. Setup - Outputs - Relay Menu.

**2.3.4. Setting up the Relays**

1. From the Outputs menu, use the ▲ and ▼ buttons to highlight the desired relay (1-4 depending on model).
2. Press the > RIGHT button to display the selected relay menu.

The TYPE selection shown in Fig. 60 displays only for Relay 1 and Relay 3.

Continue with the remainder of section 3.4 to setup the relay outputs.

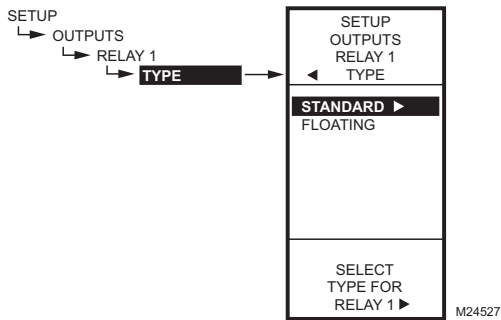


Fig. 61. Setup - Outputs - Relay - Type.

**2.3.4.1. TYPE (standard or floating)**

The Floating option is only available on the T775B2016, T775B2024, T775B2032, and T775B2040 models.

For these models, this selection displays only for Relay 1 and/or Relay 3.

1. Press the > RIGHT button to display the Type values.
2. Use the ▲ and ▼ buttons to select STANDARD OR FLOATING.  
Default: STANDARD (not floating)
3. Press the > RIGHT button to accept the value and return to the Relay menu.

If you select FLOATING, the relays are paired (1-2 or 3-4) and are setup together. Continue with "2.3.4.1.1. Floating Relay Menu".

If you select STANDARD, go to "2.3.4.2. SCHEDULE" on page 28.

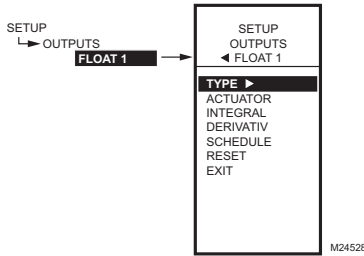


Fig. 62. Setup - Outputs - Floating Relay - Menu.

### 2.3.4.1.1. Floating Relay Menu

The Floating option is only available on the T775B2016, T775B2024, T775B2032, and T775B2040 models.

When Relay 1 or Relay 3 is setup as floating, relays are paired and the Float 1 or Float 2 menu displays with the selections shown in Fig. 62.

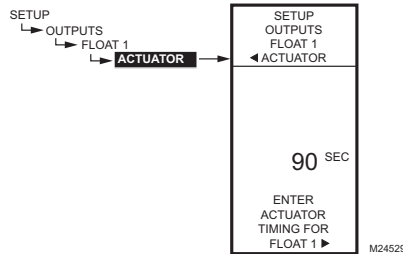


Fig. 63. Setup - Outputs - Floating Relay - Actuator.

#### 2.3.4.1.1.1. ACTUATOR (floating relay only)

The Actuator option displays only on the T775B2016, T775B2024, T775B2032, and T775B2040 models when the Type option = Floating.

1. From the menu, use the ▲ and ▼ buttons to highlight ACTUATOR.
2. Press the ► button to display the actuator value.
3. Use the ▲ and ▼ buttons to increase/decrease the desired number of seconds.  
Default: 90 seconds  
Range: 0 to 3,600 seconds)
4. Press the ► button to accept the value and display the INTEGRAL option.

The actuator run time is defined as the time needed to move the actuator from the fully closed to fully open position and visa versa.

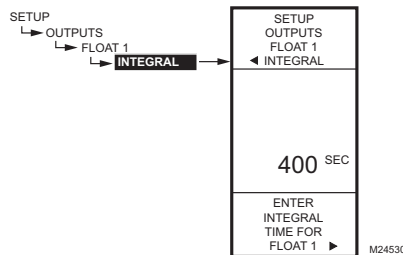


Fig. 64. Setup - Outputs - Floating Relay - Integral.

#### 2.3.4.1.1.2. INTEGRAL (modulating/floating relay only)

The Actuator option displays only on the T775B2016, T775B2024, T775B2032, and T775B2040 models when the Type option = Floating.

1. From the menu, use the ▲ and ▼ buttons to highlight INTEGRAL.
2. Press the ► button to display the actuator value.
3. Use the ▲ and ▼ buttons to increase/decrease the desired number of seconds.  
Default: 400 seconds  
Range: 0 to 3,600 seconds)
4. Press the ► button to accept the value and display the DERIVATIV option.

See Integral NOTES on page 22 for additional information about setting the Integral time.

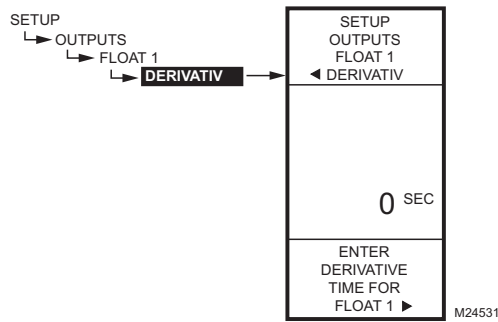


Fig. 65. Setup - Outputs - Floating Relay - Derivative.

**2.3.4.1.3. DERIVATIVE** (modulating/floating relay only)

The Derivative option displays only on the T775B2016, T775B2024, T775B2032, and T775B2040 models when the Type option = Floating.

1. From the menu, use the ▲ and ▼ buttons to highlight DERIVATIV.
2. Press the ► button to display the actuator value.
3. Use the ▲ and ▼ buttons to increase/decrease the desired number of seconds.  
Default: 0 seconds  
Range: 0 to 3,600 seconds)
4. Press the ► button to accept the value and display the SCHEDULE option.

Continue with "2.3.4.2. SCHEDULE" for the remaining relay selections.

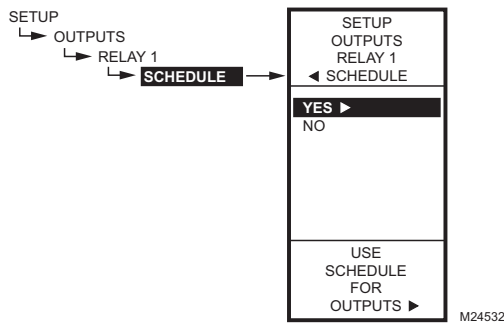


Fig. 66. Setup - Outputs - Relay - Schedule.

**2.3.4.2. SCHEDULE**

This selection displays only if "Use Sched = YES" is selected during the Output Options setup (see page 24). When selected, individual outputs default to follow the schedule.

1. Press the ► button to display the Schedule values.
2. Use the ▲ and ▼ buttons to select YES or NO.  
Default: YES
3. Press the ► button to accept the value and return to the Relay menu.

An individual output can be selected to be controlled or not controlled by the schedule.

If NO is selected, the Setback selection does not appear in the Program menu for this output.

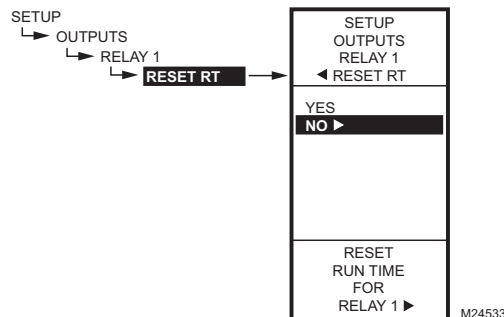


Fig. 67. Setup - Outputs - Relay - Reset Runtime.

**2.3.4.3. RESET RT** (run time hours)

This selection displays only if "Show RT = YES" is selected during Output Options setup (see page 25).

1. From the Relay menu, press the ► button to display the Reset RT values.
2. Use the ▲ and ▼ buttons to select YES or NO.  
Default: NO
3. Press the ► button to accept the value and return to the Relay menu.

Selecting YES immediately resets the output run time hours to zero for this output. When you subsequently return to this screen, the RESET RT defaults to NO.

NOTE: Run times can be reset to zero for each individual relay. You must do this for each relay that you want to reset to zero.

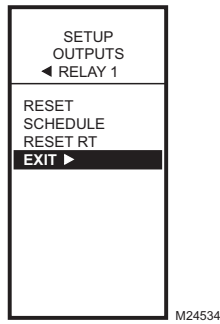


Fig. 68. Setup - Outputs - Relay - Exit.

## 2.4. EXIT Setup Mode

Press the ◀ button to exit the selected relay set up and return to the Outputs menu.

To setup the next relay output go to "2.3.4. Setting up the Relays" on page 26.

If you are finished setting up the relay outputs, press the **HOME** button to exit Setup mode and return to the home screen display.

This completes the Setup procedure.

### 3. SCHEDULING

Scheduling provides the ability to set daily temperature settings for up to two events per day. Typically, these are the daytime (setpoint) and the nighttime (setback) settings.

**IMPORTANT**

To enable Scheduling, you must first enter Setup mode (press and hold the **MENU** button for 5 seconds), select **OUTPUTS**, select **OPTIONS**, select **USE SCHED**, and then select **YES**. (see "2.3.3.1. USE SCHED" on page 24).

**IMPORTANT**

To properly account for Daylight Saving time, be sure to set the Date **before** setting the Time. See "3.2.2. SET DATE" on page 31.

**NOTE:** Each output is independently configurable to follow the schedule or not. For modulating outputs, see "2.3.1.5. SCHEDULE" on page 23. For relay outputs, see "2.3.4.2. SCHEDULE" on page 28.

**NOTE:** The controller interface is intuitive. You may find that you do not need the following scheduling instructions. You may want to use this procedure simply as a reference to locate the particular option or parameter of interest.

**NOTES:**

1. If you press the **HOME** button or there is no keypad activity for four minutes, you exit Scheduling mode and return to the home screen.
2. If you press the **MENU** button, you exit Scheduling mode and return to the menu.

To create or change a schedule, you use the —

- **Left arrow button (◀)** to scroll backward through the Schedule menus
- **Right arrow button (▶)** to select the highlighted menu item and display its content
- **Up and Down arrow buttons (▲ and ▼)** to scroll up and down through a list of items or to increase or decrease the value of a displayed schedule parameter

#### Creating a Schedule

To create a schedule, perform the following in the order listed:

1. Enable Scheduling in Setup mode - see "2.3.3.1. USE SCHED" on page 24
2. Enter Schedule mode — see "3.1. Entering Schedule Mode"
3. Set the Schedule Options — see "3.2. OPTIONS"
4. Set Individual Schedules — begin with "3.3. Setting Individual Schedules" on page 32
5. Exit Schedule Mode — see "3.4. Exiting Scheduling Mode" on page 33

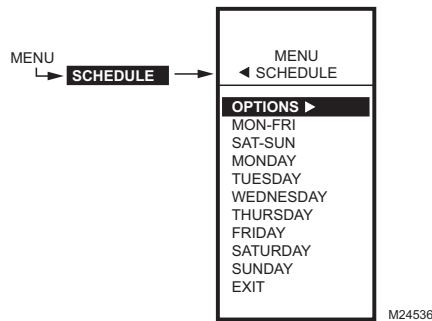


Fig. 69. Schedule - Menu.

#### 3.1. Entering Schedule Mode

Press the **MENU** button, then select **SCHEDULE** and press the **▶** button to view the Schedule menu.

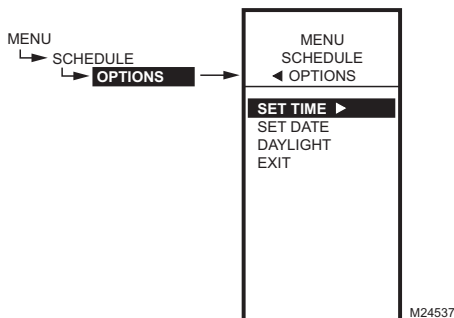


Fig. 70. Schedule - Options Menu.

#### 3.2. OPTIONS

1. From the Schedule menu, use the **▲** and **▼** buttons to highlight **OPTIONS**.
2. Press the **▶** button to display the Options menu.

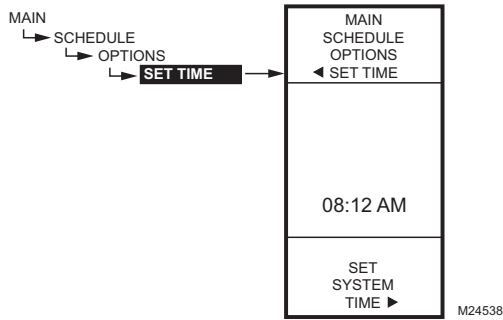


Fig. 71. Schedule - Options - System Time.

### 3.2.1. SET TIME

Setting the system time is required to enable the controller to follow daylight saving time.

**IMPORTANT**

*Set the Date **before** setting the Time. See "3.2.2. SET DATE".*

1. From the Options menu, use the ▲ and ▼ buttons to highlight SET TIME.
2. Press the ► button to display the current system time setting.
3. Use the ► button to cycle between the hour, minute, and AM/PM values.
4. Use the ▲ and ▼ buttons to increase/decrease the desired value for the hour, minute, and AM/PM.
5. Press the ◀ button to accept the Time and return to the Options menu.

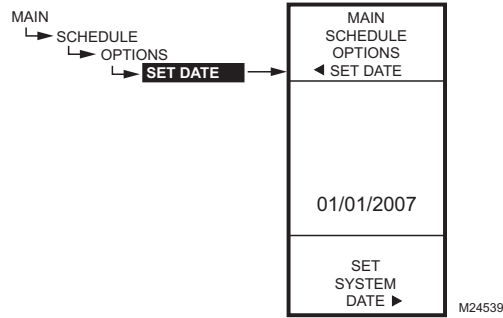


Fig. 72. Schedule - Options - System Date.

### 3.2.2. SET DATE

Setting the system date is required to enable the controller to follow daylight saving time.

**IMPORTANT**

*To properly account for Daylight Saving time, be sure to set the Date **before** setting the Time.*

1. From the Options menu, use the ▲ and ▼ buttons to highlight SET DATE.
2. Press the ► button to display the current system date setting.
3. Use the ► button to cycle between the month, day, and year values.
4. Use the ▲ and ▼ buttons to increase/decrease the desired value for the month, day, and year.
5. Press the ◀ button to accept the Date and return to the Options menu.

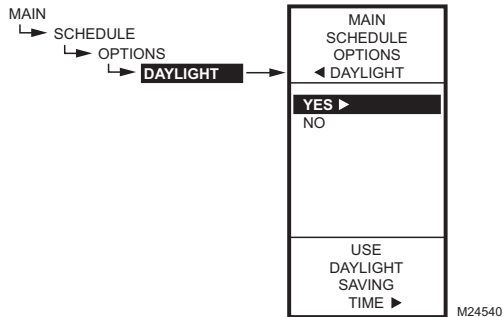


Fig. 73. Schedule - Options - Daylight Saving Time.

### 3.2.3. DAYLIGHT (daylight saving time)

1. From the Options menu, use the ▲ and ▼ buttons to highlight DAYLIGHT.
2. Press the ► button to display the current system setting for daylight saving time.
3. Use the ▲ and ▼ buttons to select YES or NO.  
Default: YES
4. Press the ► button to accept the value and return to the Options menu.
5. From the Options menu, use the Use the ▲ and ▼ buttons to highlight EXIT.
6. Press the ► button to return to the Schedule menu.

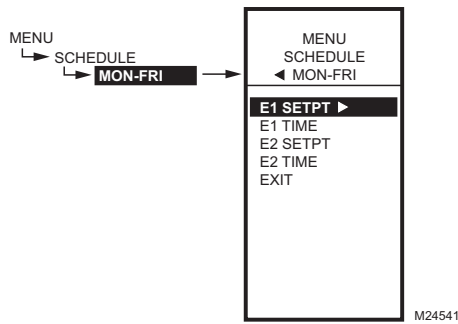


Fig. 74. Schedule Event Menu (Showing MON-FRI).

### 3.3. Setting Individual Schedules

As shown in the Schedule menu (Fig. 69 on page 30), schedules can be set for the following time periods:

- Monday through Friday
- Saturday and Sunday
- Individual days of the week

1. From the Schedule menu, use the ▲ and ▼ buttons to highlight the desired time period.
2. Press the ► button to display the Schedule menu for the selected time period.

For each selected time period, the schedule event (E1 and E2) parameters are exactly the same as shown in Fig. 74.

#### SCHEDULING EXAMPLE

Setting the schedule is independent of the temperature settings for the relay outputs. The following illustrates a weekly schedule for daytime (setpoint) and night time (setback) use and shows the factory default settings:

Table 4. Mon-Fri Schedule Defaults

DAY	EVENT	SETPT ACTION	TIME
Mon-Fri	Event 1 (E1)	Setpoint	6:00 AM <sup>a</sup>
Mon-Fri	Event 2 (E2)	Setback	6:00 PM <sup>b</sup>
Sat-Sun	Not used; remains in Setback from Mon-Fri E2 settings		

<sup>a</sup> Setpoint time span is 6:00 AM until 5:59 PM because setback starts at 6:00 PM.

<sup>b</sup> Setback time span is 6:00PM until 5:59 AM because setpoint starts at 6:00 AM.

To set a schedule, continue with “3.3.1. E1 SETPT (setpoint for event 1)”.

The following figures show the MON-FRI menu, but the menu selections are the same for any time period.

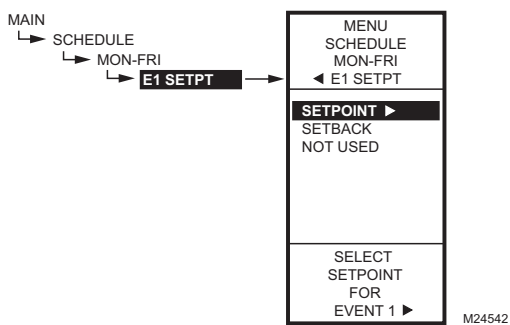


Fig. 75. Schedule - Event 1 Setpoint.

#### 3.3.1. E1 SETPT (setpoint for event 1)

1. From the selected time period menu, use the ▲ and ▼ buttons to highlight E1 SETPT.
2. Press the ► button to display the setpoint options.
3. Use the ▲ and ▼ buttons to highlight the desired option.
4. Press the ► button to accept the value and return to the selected time period menu.



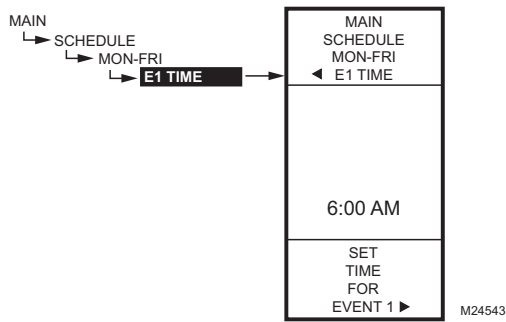


Fig. 76. Schedule - Event 1 Time.

### 3.3.2. E1 TIME (time for event 1)

1. From the selected time period menu, use the ▲ and ▼ buttons to highlight E1 TIME.
2. Press the ► button to display the current time setting for event 1.
3. Use the ► button to cycle between the hour, minute, and AM/PM values.
4. Use the ▲ and ▼ buttons to increase/decrease the desired value for the hour, minute, and AM/PM.
5. Press the ◀ button to accept the time and return to the selected time period menu.

### 3.3.3. E2 SETPOINT (setpoint for event 2)

Creating the setpoint for event 2 is accomplished the same way as the first event. See “3.3.1. E1 SETPT (setpoint for event 1)” on page 32 above.

### 3.3.4. E2 TIME (time for event 2)

Creating the time for event 2 is accomplished the same way as the first event. See “3.3.2. E1 TIME (time for event 1)” above.

### 3.3.5. EXIT (exit from selected time period settings)

After entering the time for event 2, use the ◀ button to exit the schedule time period and return to the Schedule menu (Fig. 69 on page 30) to select a different time period.

When you finish scheduling the time periods, continue with “3.4. Exiting Scheduling Mode”.

## 3.4. Exiting Scheduling Mode

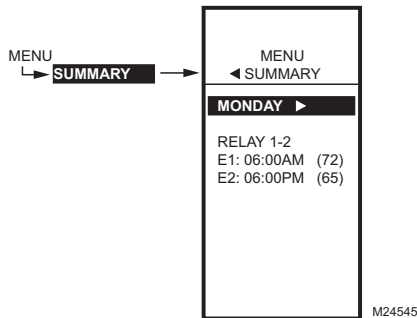
Press the HOME button to exit the Schedule menu and return to the home screen display.

This completes the Scheduling procedure.

## SUMMARY MENU

The Summary menu provides the ability to view the schedule (E1 and E2 times) for each relay for each day of the week.

**NOTE:** Scheduling must be enabled for the Summary menu to display. Enabling the schedule is determined in the Setup process for the Output Options (see page 24).



**Fig. 77. Summary Example - Monday Settings.**

For each relay, the Summary display indicates the time and temperature (in parenthesis) for each of the two scheduled events E1 and E2.

1. Press the **MENU** button to view the menu.
2. Use the **▲** and **▼** buttons to highlight **SUMMARY**.
3. Press the **▶** button to display the Summary settings.
4. Use the **▶** button to scroll forward through each day of the week (Monday, Tuesday, Wednesday, Thursday, Friday, Saturday, and Sunday).
5. While viewing a specific day, use the **▲** and **▼** buttons to cycle through the individual relay schedules for that day.

When finished, press the home key to return to the home display screen.

## TROUBLESHOOTING

### Power Loss

The date and time settings are retained for 24 hours after a power outage. After a power loss of more than 24 hours, the date and time settings may need to be reentered. All other settings are stored permanently.

### Errors and Diagnostics

The controller provides an error message and diagnostic status as described below.

#### Error Message

There is a two-character error code that displays in response to controller software problems:

#### EE

**EEPROM Failure** — The values read back from the EEPROM are not the same as written into the EEPROM. This error cannot be field repaired. Replace the device.

#### Diagnostic Messages

There are two diagnostic messages that can display in response to sensor problems. The diagnostic codes that can flash on the display are:

--

**Sensor Open or Shorted** — Two dashes display when a sensor (typically temperature) is open or shorted. An open circuit is considered anything greater than 1570 ohms (greater than 300F), shorted anything less than 770 ohms (less than -73F). Which ever stages are operating with this sensor cease to control (meaning relays go to OFF and proportional outputs go to zero percent).

This message can also mean that the sensor is programmed, but not physically connected.

#### -60°F or 270°F (-51°C or 132°C) Blinking

**Temperature Out of Range** — The temperature display blinks when the sensed temperature range is outside of the display range, below -60°F (-51°C) or above 270°F (132°C). The displayed value remains at that displayed limit and control continues. Controller continues to function unless an open or shorted state is detected.

#### Blinking relay status

**Relay Minimum Off Time is Active** — On the home screen, each relay's indicator (■) blinks while the relay's minimum off time is active.

## SPECIFICATIONS

**Power:** 24, 120, or 240 Vac; 50/60 Hz;

A separate earth ground is required for any power source.

**Power Consumption:**

- 8 VA maximum at 60 Hz
- 10 VA maximum at 50 Hz

**Operating & Storage Temperature Ambient Rating:**

- -40°F to 125°F (-40°C to 52°C) @ 50 Hz
- -40°F to 140°F (-40°C to 60°C) @ 60 Hz

**Relative Humidity:** 5% to 95% non-condensing

**Relay Contact Output Ratings (N.O. and N.C.):**

- 1/2 hp; 9.8 AFL, 58.8 ALR @ 120 Vac
- 1/2 hp; 4.9 AFL, 29.4 ALR @ 240 Vac
- 125 VA pilot duty @ 120/240 Vac
- 10A @ 24 Vac (resistive)

**Modulating Outputs:**

- 0-10 Vdc; drive a minimum of 2,000 Ohms
- 2-10 Vdc; drive a minimum of 2,000 Ohms
- 4-20 mA; drive a maximum of 600 Ohms
- Electronic Series 90
- Floating

## DoC

### Emissions Compliance

EN 55022: 2006  
 CISPR 22: 2006  
 VCCI V-3/2006.04  
 ICES-003, Issue 4: 2004  
 FCC PART 15 SUBPART B Class B Limit

### Immunity Compliance

EN 61000-6-1: 2001 covering  
 EN 61000-4-2: 1995 + A1: 1998 + A2: 2001  
 EN 61000-4-3: 2002  
 EN 61000-4-4: 2004  
 EN 61000-4-5: 1995 + A1: 2001  
 EN 61000-4-6: 1996 + A1: 2001  
 EN 61000-4-8: 1993 + A1: 2001  
 EN 61000-4-11 2nd Ed.: 2004

### Safety Compliance

UL 60730-1 and Part 2-9 for US and Canada

### FCC Compliance Statement:

This equipment has been tested and found to comply with limits for a Class B digital device, pursuant to Part 15 of the FCC rules. These limits are designed to provide reasonable protection against harmful interference in residential installations. This equipment generates, uses, and can radiate radio frequency energy, and if not installed and used in accordance with the instructions, may cause harmful interference to radio communications.

However, there is no guarantee that interference will not occur in a particular installation. If this equipment does cause interference to radio or television equipment reception, which can be determined by turning the equipment off and on, the user is encouraged to try to correct the interference by one or more of the following measures:

- Reorient or relocate the receiving antenna
- Move the equipment away from the receiver
- Plug the equipment into an outlet on a circuit different from that to which the receiver is connected
- Consult the dealer or an experienced radio/television technician for additional suggestions

You are cautioned that any change or modifications to the equipment not expressly approved by the party responsible for compliance could void Your authority to operate such equipment.

This device complies with Part 15 of the FCC Rules. Operation is subjected to the following two conditions 1) this device may not cause harmful interference and 2) this device must accept any interference received, including interference that may cause undesired operation.

**Automation and Control Solutions**

Honeywell International Inc.  
1985 Douglas Drive North  
Golden Valley, MN 55422  
customer.honeywell.com

Honeywell Limited-Honeywell Limitée  
35 Dynamic Drive  
Toronto, Ontario M1V 4Z9

**Honeywell**

© U.S. Registered Trademark  
© 2007 Honeywell International Inc.  
62-0254-03 M.S. Rev. 09-07



Printed in U.S.A. on recycled  
paper containing at least 10%  
post-consumer paper fibers.

## Free Manuals Download Website

<http://myh66.com>

<http://usermanuals.us>

<http://www.somanuals.com>

<http://www.4manuals.cc>

<http://www.manual-lib.com>

<http://www.404manual.com>

<http://www.luxmanual.com>

<http://aubethermostatmanual.com>

Golf course search by state

<http://golfingnear.com>

Email search by domain

<http://emailbydomain.com>

Auto manuals search

<http://auto.somanuals.com>

TV manuals search

<http://tv.somanuals.com>