

## CT62A,B Line Voltage Electric Heat Thermostats

### Installation Instructions

CT62A provides single-line break.

CT62B provides double-line break.

Temperature Range: 50°F to 80°F (10°C to 25°C)

Electrical Ratings: 60 Hz noninductive

22A at 120-240 Vac; 19A at 277 Vac

Do-It-Yourself models



### Your Honeywell Thermostat

Your new Honeywell CT62 Electric Heating Thermostat provides line voltage control of a radiant cable, electric baseboard, and resistive-rated fan forced heaters within the ratings listed above.

### WARNING

This thermostat is a line voltage control (120 Volts to 240 Volts.) Do not install it if you are not completely familiar with house wiring. If handled improperly, there can be risk of a 120 Volt to 240 Volt electric shock hazard, which may cause serious injury or death.

## 1 PREPARATION

Proper installation of your Honeywell thermostat will occur if you follow these instructions STEP-BY-STEP. It is recommended that as you read, understand and complete each step, you check  it off with pencil or pen.

Check thermostat suitability for your home's system by reviewing the ratings listed above.

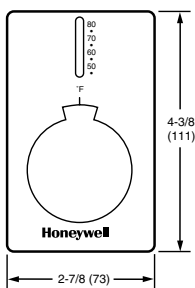
Make certain that your heating system is working, especially if it has been inoperative for a length of time. If the system does not work, contact your local electrician for assistance.

Carefully unpack your new thermostat. To avoid damage to the sensing element, do NOT remove the thermostat cover until wiring has been completed.

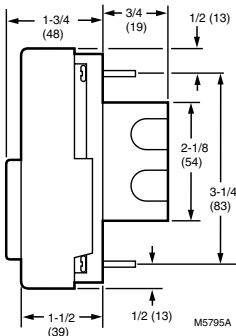
Save packages of screws, instructions, receipt and proof-of-purchase.

## 2 THERMOSTAT MOUNTING DIMENSIONS

FRONT VIEW



SIDE VIEW



## 3 REMOVE OLD THERMOSTAT

### WARNING

Begin by turning off power to the heating circuit at the main service panel.

Remove cover of old thermostat—cover normally snaps off when pulled firmly from the bottom. If it resists, check for a screw that locks the cover.

Loosen screws holding thermostat base to outlet box and lift away.

Disconnect wires from old thermostat. As you disconnect each wire, tape the end and label it with the letter of the terminal designation to make reconnection to new thermostat easier.

Check the old insulation for cracks, nicks or fraying, and apply high quality plastic tape where necessary for adequate insulation.

Retain the old thermostat for reference purposes and until your new thermostat is functioning smoothly.

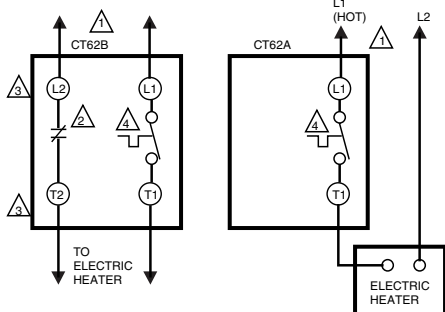
## 4 WIRE AND MOUNT NEW THERMOSTAT

- Turn the temperature setting knob to 65°F (18°C). This will prevent accidental damage to the knob stop during mounting.
- Remove thermostat cover by grasping the top and bottom ends with fingers, and pulling outward.
- Connect wires to the thermostat as shown in the applicable wiring diagram. Push the wires into the outlet box, and insert the thermostat into the box for mounting by pushing against top and bottom of the thermostat base.

**IMPORTANT:** Do not press on setting knob.

- Secure the thermostat to the box with the two captive mounting screws provided.
- Replace thermostat cover.
- Set knob to desired room temperature.

**IMPORTANT:** Rough handling or strong pressure can damage knob or sensing element, and change calibration.



- POWER SUPPLY. PROVIDE DISCONNECT MEANS AND OVERLOAD PROTECTION AS REQUIRED.
- BREAKS ON POSITIVE OFF.
- EXPOSED UNUSED LEADWIRES TO BE PROPERLY INSULATED.
- THERMALLY ACTIVATED—BREAKS ON TEMPERATURE RISE. MAKES ON TEMPERATURE FALL.

**CAUTION:**  
SPECIAL SERVICE CO/ALR SOLDERLESS CONNECTORS MUST BE USED WHEN CONNECTING WITH ALUMINUM CONDUCTORS; OTHERWISE, A FIRE HAZARD CAN RESULT.

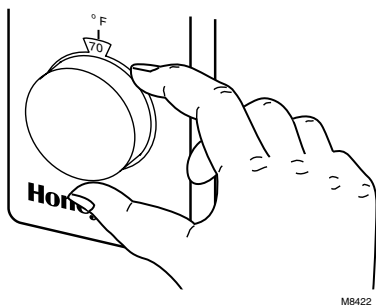
M8420

## 5 CHECK OUT THERMOSTAT

- Turn on the power to the heating system.
- Turn setting knob all the way clockwise ; listen for clicking sound as switch makes contact. Electric heater should begin operation.
- Turn knob all the way counterclockwise ; listen for clicking sound as switch breaks contact. Electric heater should shut off.

## 6 SETTING THERMOSTAT

- Begin with setting knob at 70°F (20°C) on the scale.
- If this setting is not satisfactory after at least two hours of operation, turn setting knob upscale to raise the temperature, or downscale to lower the temperature. Move knob only a degree each time.



M8422

# 7 TROUBLESHOOTING

Your Honeywell thermostat requires little or no attention. Most problems can generally be traced to the following:

Symptom	Checkout	Action
No heat.	Make sure power is on at main service panel. Turn the temperature setting knob fully clockwise ↻.	Heater should start to warm up within two minutes. If not, contact qualified electrician to check thermostat and heater.
	Improper connections to thermostat.	With power to circuit OFF, tighten all wiring connections. Repair any frayed or broken wires.
	Other.	Contact a qualified electrician for assistance.
Heater never turns off.	Turn temperature setting knob fully counterclockwise ↻.	Heater should start to cool within minutes. If not, turn off power at the main service panel, and contact qualified electrician.
Thermostat setting and thermometer reading disagree.	Thermostat affected by drafts or radiant heat.	Contact electrician to change the location. The thermostat should be about 5 ft (1.5m) above the floor and on an inside wall.
	Thermometer is out of calibration.	Recalibrate. See step 8.

# 8 CALIBRATION

The CT62 Thermostats are calibrated at the factory using precise instruments under closely controlled conditions. Recalibration should not be necessary. Allow the thermostat to operate for several hours before checking the calibration. The CT62 Thermostat vapor-filled dual diaphragm sensing element is affected by barometric pressure and altitude. Temperature deviations of 1°F (0.5°C) are normal. If the thermostat is mounted in a suitable location and still appears out of calibration, check calibration as follows:

### Check Calibration

Turn the setting knob clockwise until the switch makes (clicking sound). The heating equipment and fan start.

No recalibration is necessary if the thermostat switch makes with the thermostat setting at the same temperature as indicated on the thermometer.

If the thermostat setting differs from the thermometer, record the temperature difference and recalibrate as instructed in the Recalibration Procedure section.

### Recalibration Procedure

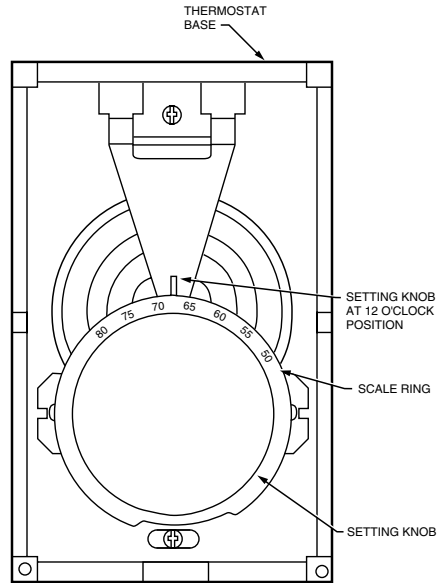
Note the temperature difference between the temperature setting and the thermometer.

Remove the thermostat cover.

Rotate setting knob clockwise ↻ until you hear switch click.

Hold the setting knob firmly and rotate the set point scale ring counterclockwise ↻ until the 12 o'clock position of the ring agrees with the cover thermometer.

The heat from your hand will affect the diaphragm sensor. Replace thermostat cover, wait five minutes and recheck calibration.



M5796

## Limited One-Year Warranty

Honeywell warrants this product to be free from defects in the workmanship or materials, under normal use and service, for a period of one (1) year from the date of purchase by the consumer. If, at any time during the warranty period, the product is defective or malfunctions, Honeywell shall repair or replace it (at Honeywell's option) within a reasonable period of time.

If the product is defective,

- (i) return it, with a bill of sale or other dated proof of purchase, to the hardware or home center store from which you purchased it, or
- (ii) package it carefully, along with proof of purchase (including date of purchase) and a short description of the malfunction, and mail it, postage prepaid, to the following address:

Honeywell Inc, RG Department  
1050 Berkshire Lane  
Plymouth, MN 55441-4437

in Canada: Honeywell Limited/Honeywell Limitee  
740 Ellesmere Road  
Scarborough, Ontario M1P 2V9

This warranty does not cover removal or reinstallation costs. This warranty shall not apply if it is shown by Honeywell that the defect of malfunction was caused by damage which occurred while the product was in the possession of a consumer.

Honeywell's sole responsibility shall be to repair or replace the product within the terms stated above. HONEYWELL SHALL NOT BE LIABLE FOR ANY LOSS OR DAMAGE OF ANY KIND, INCLUDING ANY INCIDENTAL OR CONSEQUENTIAL DAMAGES RESULTING, DIRECTLY OR INDIRECTLY, FROM ANY BREACH OF ANY WARRANTY, EXPRESS OR IMPLIED, OR ANY OTHER FAILURE OF THIS PRODUCT. Some states do not allow the exclusion of incidental or consequential damages, so this limitation may not apply to you.

THIS WARRANTY IS THE ONLY EXPRESS WARRANTY HONEYWELL MAKES ON THIS PRODUCT. THE DURATION OF ANY IMPLIED WARRANTIES, INCLUDING THE WARRANTIES OF MERCHANTABILITY AND FITNESS FOR A PARTICULAR PURPOSE, IS HEREBY LIMITED TO THE ONE YEAR DURATION OF THIS WARRANTY. Some states do not allow limitations on how long an implied warranty lasts, so the above limitation may not apply to you.

This warranty gives you specific legal rights, and you may have other rights which vary from state to state.

---

**Honeywell****Home and Building Control**

Honeywell International, Inc.  
1985 Douglas Drive North  
Golden Valley, MN 55422

**Home and Building Control**

Honeywell Limited-Honeywell Limitee  
35 Dynamic Drive  
Scarborough, Ontario  
M1V 4Z9



Printed in U.S.A. on recycled paper containing at least 10% post-consumer paper fibers.

## Free Manuals Download Website

<http://myh66.com>

<http://usermanuals.us>

<http://www.somanuals.com>

<http://www.4manuals.cc>

<http://www.manual-lib.com>

<http://www.404manual.com>

<http://www.luxmanual.com>

<http://aubethermostatmanual.com>

Golf course search by state

<http://golfingnear.com>

Email search by domain

<http://emailbydomain.com>

Auto manuals search

<http://auto.somanuals.com>

TV manuals search

<http://tv.somanuals.com>