

# Hoshizaki America, Inc.

## Dishwasher

### Models

JWE-2400CUA-L-25B

JWE-2400CUA-R-25B



"A Superior Degree  
of Reliability"

[www.hoshizaki.com](http://www.hoshizaki.com)

## PARTS LIST



Number: J002-3446  
Issued: 3 -1 - 2011  
Revised: 10-26-2012

## Auxiliary Codes

### JWE-2400CUA-L-25B

### JWE-2400CUA-R-25B

A-1 March 2011

B-0 January 2012

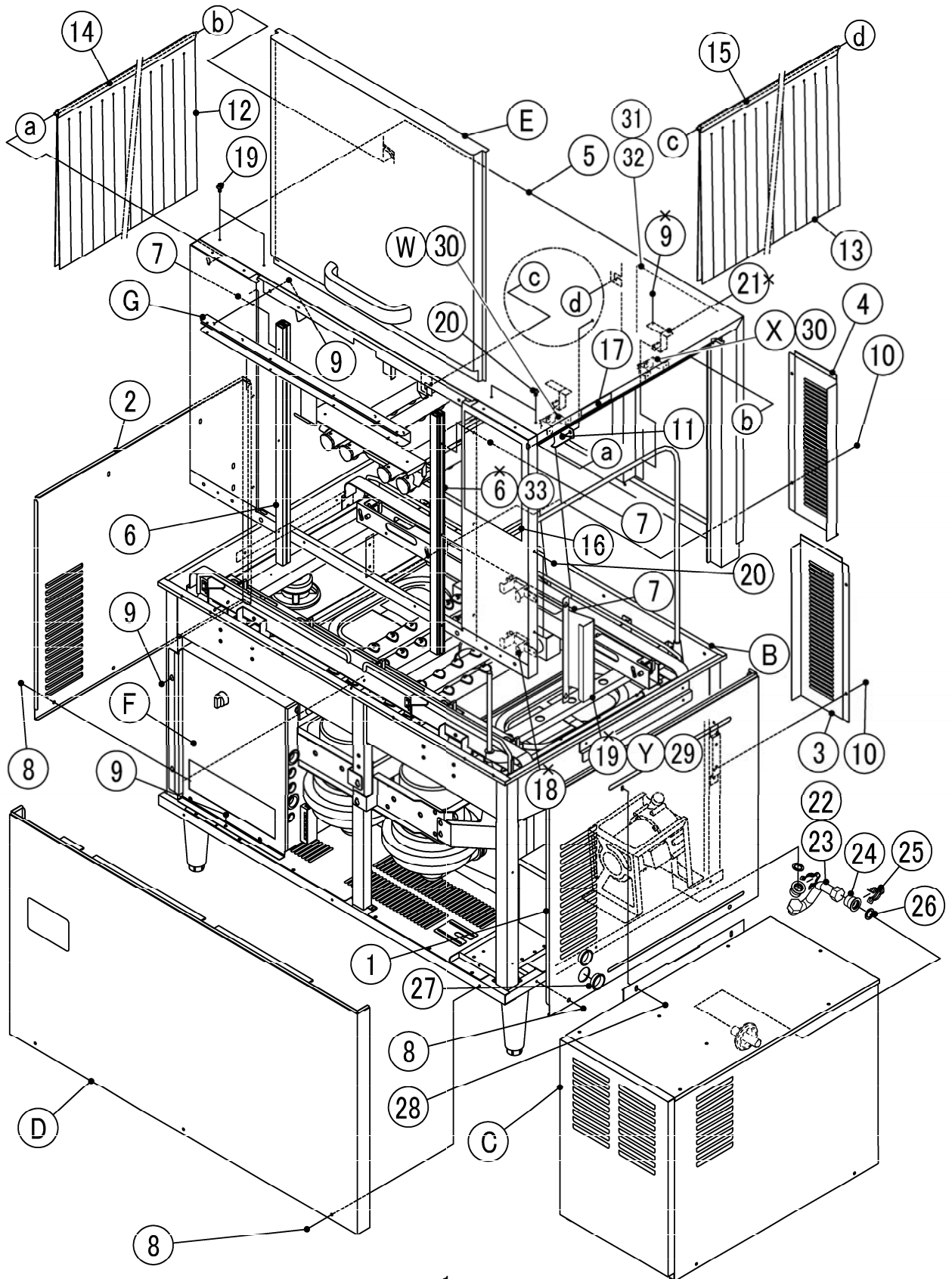
B-1 April 2012

## Auxiliary Code Breakdown

The auxiliary code is the first two characters in the serial number. The first character indicates the year. Years progress or regress in alphabetical order. The series runs from "A" through "V" and the letters "I" and "O" are skipped. The second character indicates significant part changes within a year. Base is "0" and this number advances for each change. In cases where there is a letter in parentheses, this designates the month. This is the last character in the serial number. The series runs from "(A)" through "(M)" and the letter "(I)" is skipped. This designation is only included when identifying a parts change within an auxiliary code.

## Note About Ordering Parts

Most assemblies cannot be ordered as complete units; parts in the assemblies generally must be ordered separately.



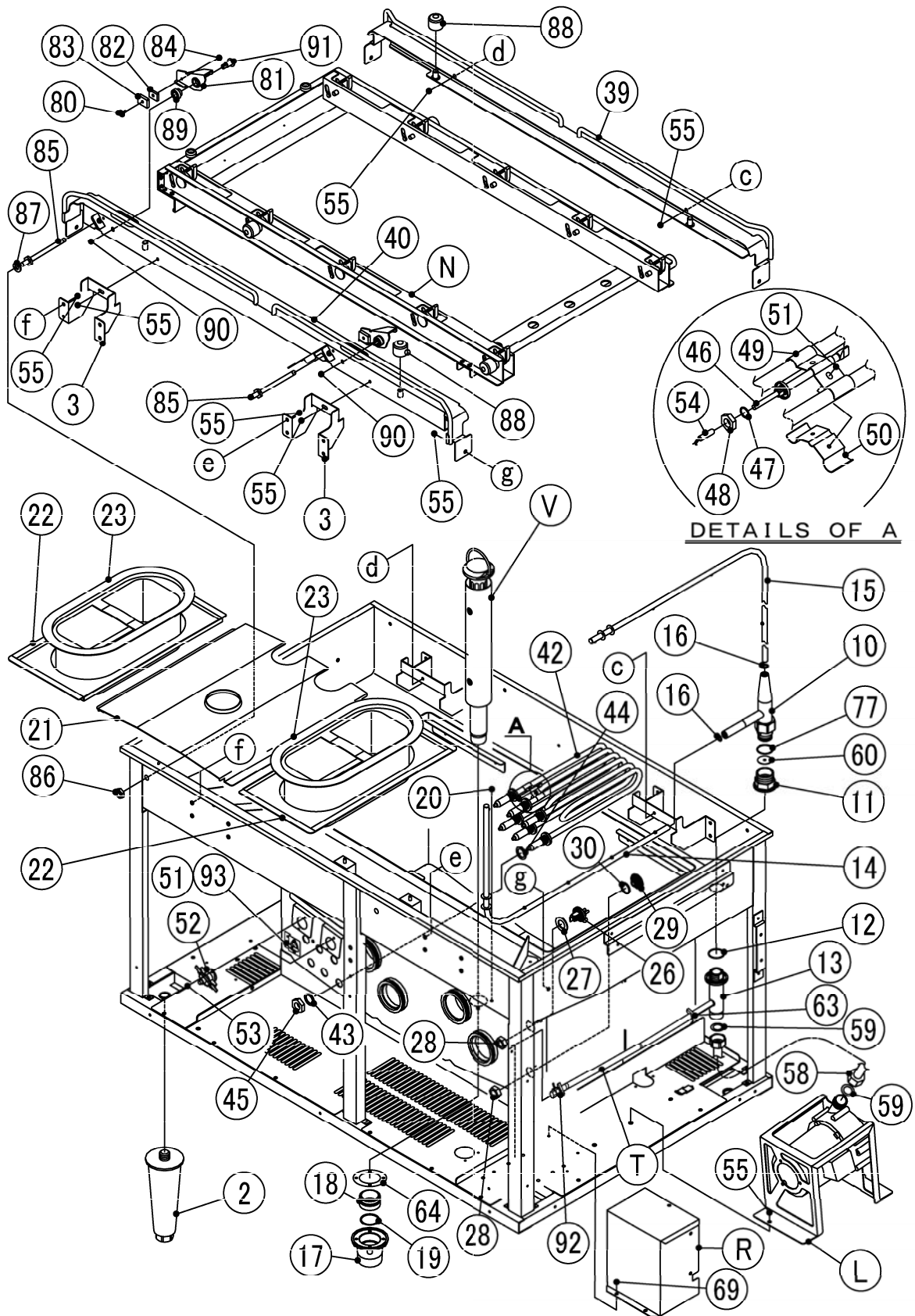
HA

| MODEL : JWE-2400CUA-L-25B |                          | TITLE : A. DISHWASHER ASSY |             |              |     |  |  |
|---------------------------|--------------------------|----------------------------|-------------|--------------|-----|--|--|
| INDEX NO.                 | DESCRIPTION              | MATERIAL OR MODEL NUMBER   | PART NUMBER | REQ'D NUMBER |     |  |  |
|                           |                          |                            |             | A-1<br>B-0   | B-1 |  |  |
| B                         | TANK ASSY                | -                          | 1H4641007   | 1            | 1   |  |  |
| C                         | BOOSTER ASSY             | -                          | 1H4673A01   | 1            | 1   |  |  |
| D                         | FRONT PANEL ASSY         | -                          | 2H9952A01   | 1            | 1   |  |  |
| E                         | SERVICE PANEL ASSY       | -                          | 2H8185A02   | 1            | 1   |  |  |
| F                         | CONTROL BOX ASSY         | -                          | 1H4674A01   | 1            | 1   |  |  |
| G                         | HOOK ASSY                | -                          | 3Y2348A01   | 1            | 1   |  |  |
| W                         | RINSE BRACKET A - ASSY   |                            | 3Y6625A01   |              | 1   |  |  |
| X                         | RINSE BRACKET B - ASSY   |                            | 3Y6626A01   |              | 1   |  |  |
| Y                         | RINSE BRACKET C - ASSY   |                            | 3Y6629A01   |              | 1   |  |  |
| Z                         | ACCESSORIES              | -                          | A02280-01   | 1            | 1   |  |  |
| 1                         | SIDE PANEL (R-L)         | S.S                        | 3Y5367G01   | 1            | 1   |  |  |
| 2                         | SIDE PANEL (L-L)         | S.S                        | 3Y5342A01   | 1            | 1   |  |  |
| 3                         | REAR PANEL (R-L)         | S.S                        | 3Y5052M01   | 1            | 1   |  |  |
| 4                         | REAR PANEL (L-L)         | S.S                        | 3Y5379M01   | 1            | 1   |  |  |
| 5                         | TOP PANEL (L)            | S.S                        | 1H4675G01   | 1            | -   |  |  |
|                           |                          |                            | 1H5149G01   |              | 1   |  |  |
| 6                         | RAIL                     | PVC                        | 3Y2211P01   | 2            | 1   |  |  |
| 7                         | TRUSS HEAD TAPPING SCREW | S.S                        | FT20408M0   | 6            | 6   |  |  |
| 8                         | TRUSS HEAD MACHINE SCREW | S.S                        | P01647-01   | 7            | 7   |  |  |
| 9                         | HEX HEAD BOLT W/ WASHERS | S.S                        | FBK0408S0   | 13           | 9   |  |  |
| 10                        | FLANGE BOLT              | S.S                        | FTF0408S0   | 4            | 4   |  |  |
| 11                        | HEX HEAD BOLT W/ WASHERS | S.S                        | FBK0512S0   | 24           | 24  |  |  |
| 12                        | CURTAIN (S)              | TPE                        | 2X0869P01   | 2            | 2   |  |  |
| 13                        | CURTAIN (L)              | TPE                        | 2X0870P01   | 1            | 1   |  |  |
| 14                        | SHAFT-CURTAIN            | S.S                        | 4Y4129M01   | 2            | 2   |  |  |
| 15                        | SHAFT-CURTAIN            | S.S                        | 4Y4129M02   | 1            | 1   |  |  |
| 16                        | MAINTENANCE LABEL        | -                          | 373615L01   | 1            | 1   |  |  |
| 17                        | WARNING LABEL            | -                          | 474626L01   | 2            | 2   |  |  |
| 18                        | SUPPORT-RINSE BRACKET    | S.S                        | 4Y4497M02   | 2            | -   |  |  |
| 19                        | GUARD-RINSE (L)          | S.S                        | 3Y5377M01   | 1            | -   |  |  |
| 20                        | HEX HEAD BOLT W/ WASHERS | S.S                        | FBK0412S0   | 2            | 2   |  |  |
| 21                        | BRACKET - RINSE PIPE     | S.S                        | 4Y6884G01   | 2            | -   |  |  |





### B. TANK ASSY (2/2)



**HA**

| MODEL : <b>JWE-2400CUA-L-25B</b> TITLE : <b>B. TANK ASSY</b> |                          |                          |             |              |     |  |  |
|--|--------------------------|--------------------------|-------------|--------------|-----|--|--|
| INDEX NO.  | DESCRIPTION              | MATERIAL OR MODEL NUMBER | PART NUMBER | REQ'D NUMBER |     |  |  |
|  |                          |                          |             | A-1<br>B-0   | B-1 |  |  |
| H  | WASH PUMP (B) ASSY       | -                        | 3Y2257A02   | 1            | 1   |  |  |
| J  | WASH PUMP (A) ASSY       | -                        | 3Y2256A02   | 1            | 1   |  |  |
| K  | SPRAY ARM (UP) ASSY      | -                        | 3Y2572A02   | 1            | 1   |  |  |
| L  | RINSE PUMP ASSY          | -                        | 3Y5396A01   | 1            | 1   |  |  |
| M  | CRANK UNIT ASSY          | -                        | 2X0331A02   | 1            | 1   |  |  |
| N  | CONVEYOR RAIL ASSY       | -                        | 1H4648A02   | 1            | 1   |  |  |
| P  | FAN MOTOR ASSY           | -                        | 4Y4175A02   | 1            | 1   |  |  |
| Q  | FAN MOTOR (B) ASSY       | -                        | 4Y4242A02   | 1            | 1   |  |  |
| R  | FAN MOTOR (C) ASSY       | -                        | 4Y6603A01   | 1            | 1   |  |  |
| S  | SPRAY ARM (LO) ASSY      | -                        | 3Y2573A02   | 1            | 1   |  |  |
| T  | HOSE - CLEANSER ASSY     | -                        | 4Y4186A02   | 1            | 1   |  |  |
| V  | OVERFLOW PIPE ASSY       |                          | 3Y6607A01   | 1            | 1   |  |  |
| 1  | FLUSH TANK (L)           | S.S                      | 1H4736G01   | 1            | 1   |  |  |
| 2  | ADJUSTABLE LEG           | SD-240HF-D               | P01591-01   | 4            | 4   |  |  |
| 3  | BRACKET (B) - RAIL       | S.S                      | 4Y6418M02   | 2            | 2   |  |  |
| 4  | BRACKET (A) - RAIL       | S.S                      | 4Y6417M02   | 2            | 2   |  |  |
| 5  | HEX HEAD BOLT W/ WASHERS | S.S                      | FBK0512S1   | 6            | 6   |  |  |
| 6  | WASH PIPE (LO)           | S.S                      | 2H8701G02   | 1            | 1   |  |  |
| 7  | WASH PIPE (UP)           | S.S                      | 2H8155G02   | 1            | 1   |  |  |
| 8  | O-RING                   | NBR                      | 7611-G055   | 2            | 2   |  |  |
| 9  | HEX HEAD BOLT W/ WASHERS | S.S                      | FBK0408S0   | 6            | 6   |  |  |
| 10   | CLEAN PIPE (C)           | S.S                      | 3Y2820G01   | 1            | 1   |  |  |
| 11   | JOINT - CLEAN PIPE       | S.S                      | 4Y4548M01   | 1            | 1   |  |  |
| 12   | O-RING                   | NBR                      | 7611-P028   | 1            | 1   |  |  |
| 13   | CLEAN PIPE (B)           | S.S                      | 4Y6919G01   | 1            | 1   |  |  |
| 14   | RINSE PIPE (LO)          | S.S                      | 3Y2223G01   | 1            | -   |  |  |
|  |                          |                          | 3Y6568G01   |              | 1   |  |  |
| 15   | RINSE PIPE (UP)          | S.S                      | 3Y2225G01   | 1            | -   |  |  |
|  |                          |                          | 3Y6567G01   |              | 1   |  |  |
| 16   | U-PACKING                | EPDM                     | 4Y3371-04   | 2            | 2   |  |  |
| 17   | DRAIN PIPE               | S.S                      | 3Y5054M01   | 1            | 1   |  |  |
| 18   | JOINT - OVERFLOW         | PE                       | 4Y3176-01   | 1            | 1   |  |  |



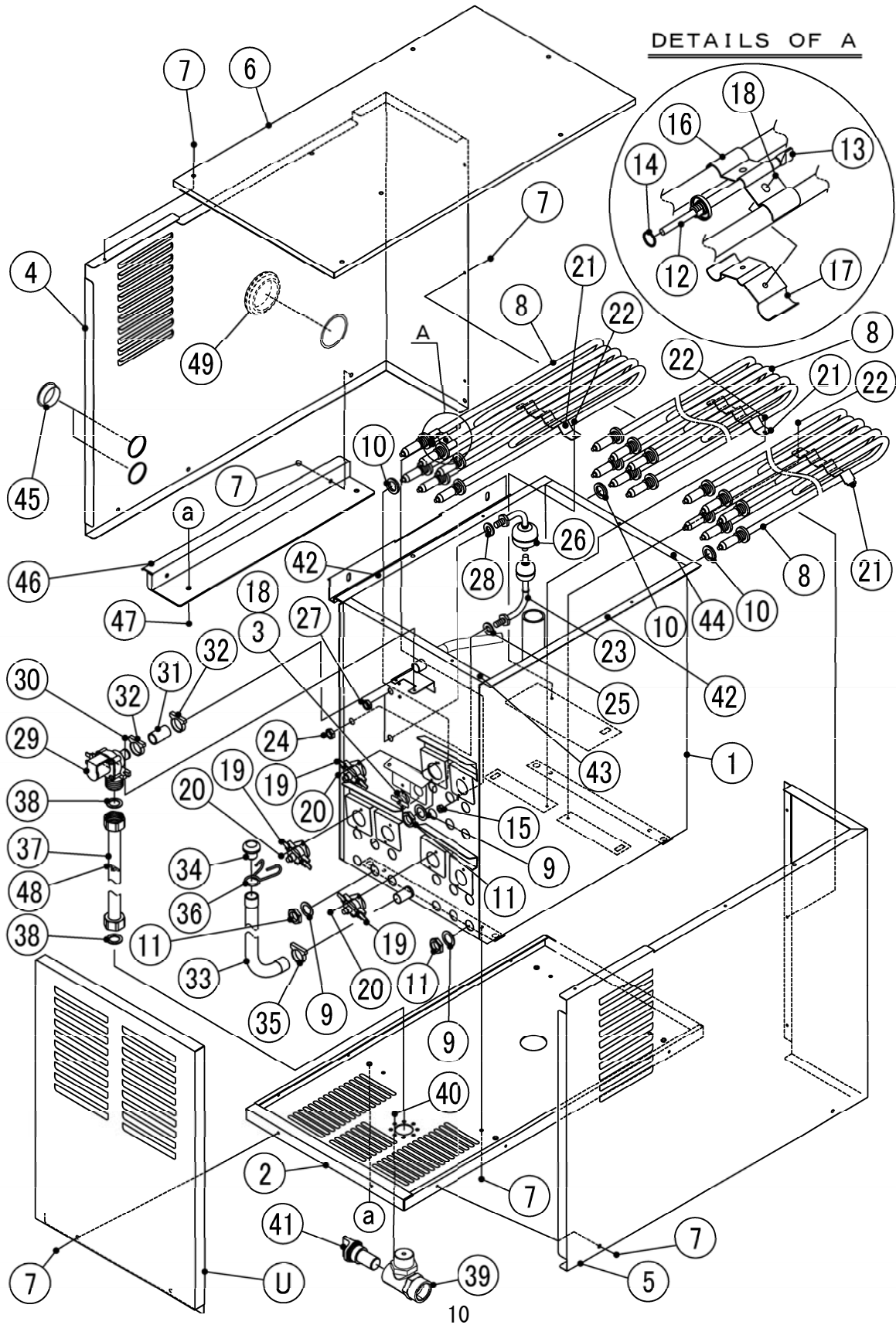
**HA**

| MODEL : <b>JWE-2400CUA-L-25B</b> TITLE : <b>B. TANK ASSY</b> |                        |                          |             |              |     |  |  |
|--|------------------------|--------------------------|-------------|--------------|-----|--|--|
| INDEX NO.  | DESCRIPTION            | MATERIAL OR MODEL NUMBER | PART NUMBER | REQ'D NUMBER |     |  |  |
|  |                        |                          |             | A-1<br>B-0   | B-1 |  |  |
| 19   | O-RING                 | NBR                      | 7611-G050   | 1            | 1   |  |  |
| 20   | SCREW                  | S.S                      | 4Y1319-06   | 4            | 4   |  |  |
| 21   | SEPARATOR (A)          | S.S                      | 2H8101M02   | 1            | 1   |  |  |
| 22   | SEPARATOR (B)          | S.S                      | 3Y2237M02   | 2            | 2   |  |  |
| 23   | TANK FILTER            | S.S                      | 3Y0673G02   | 2            | 2   |  |  |
| 24   | PUMP GUARD             | S.S                      | 4Y3344G01   | 2            | 2   |  |  |
| 25   | OVERFLOW PIPE          | S.S                      | 3Y5804G01   | -            | -   |  |  |
| 26   | LEVEL SENSOR           |                          | 3X4140G01   | 1            | 1   |  |  |
| 27   | PACKING (B) - SENSOR   | SI.R                     | 4X5112-01   | 1            | 1   |  |  |
| 28   | NUT                    | M22                      | 4Y3670-01   | 3            | 3   |  |  |
| 29   | CAP                    | PPS                      | 4Y3177-01   | 2            | 2   |  |  |
| 30   | O-RING                 | EPDM                     | 7614-G025   | 2            | 2   |  |  |
| 31   | FRINGER                | NBR                      | 4Y6567R01   | 1            | 1   |  |  |
| 32   | O-RING                 | NBR                      | 7611-P070   | 1            | 1   |  |  |
| 33   | BRACKET (A) - GM       | S.S                      | 4Y7052G02   | 1            | 1   |  |  |
| 34   | COUPLING (B)           | S.S                      | 4Y7051M01   | 1            | 1   |  |  |
| 35   | BRACKET (J) - GM       | S.S                      | 3Y3094G02   | 1            | 1   |  |  |
| 36   | GEARMOTOR              | M9MX40G4YG               | P01695-01   | 1            | 1   |  |  |
| 37   | GEARHEAD               | MX9G60B                  | P01696-01   | 1            | 1   |  |  |
| 38   | U-NUT                  | S.S                      | FNU106S0    | 2            | 2   |  |  |
| 39   | RACK RAIL (B-L)        | S.S                      | 3Y4825G02   | 1            | 1   |  |  |
| 40   | RACK RAIL (A-L)        | S.S                      | 3Y4824G01   | 1            | 1   |  |  |
| 41   | SLIDE BLOCK            | PE                       | 4Y4138P01   | 1            | 1   |  |  |
| 42   | SHEATH HEATER          | HU23280D                 | P01721-01   | 6            | 6   |  |  |
| 43   | WASHER                 | S.S                      | P01721F01   | 12           | 12  |  |  |
| 44   | PACKING                | SI.R                     | P01721F02   | 12           | 12  |  |  |
| 45   | NUT                    | S.S                      | P01721F03   | 12           | 12  |  |  |
| 46   | THERMISTOR PIPE - WELD | S.S                      | 4Y3183G01   | 1            | 1   |  |  |
| 47   | O-RING                 | EPDM                     | 7614-P007   | 1            | 1   |  |  |
| 48   | NUT                    | S.S                      | FNH106S0    | 1            | 1   |  |  |
| 49   | THERMOSTAT PLATE (UP)  | S.S                      | 4Y3164-01   | 4            | 4   |  |  |
| 50   | THERMOSTAT PLATE (LO)  | S.S                      | 4Y3163-01   | 4            | 4   |  |  |

**HA**

| MODEL : <b>JWE-2400CUA-L-25B</b> |                                   | TITLE : <b>B. TANK ASSY</b> |             |              |     |  |  |
|----------------------------------|-----------------------------------|-----------------------------|-------------|--------------|-----|--|--|
| INDEX NO.                        | DESCRIPTION                       | MATERIAL OR MODEL NUMBER    | PART NUMBER | REQ'D NUMBER |     |  |  |
|                                  |                                   |                             |             | A-1<br>B-0   | B-1 |  |  |
| 51                               | PAN HEAD MACHINE SCREW W/ WASHERS | S.S                         | FSK0305S0   | 10           | 10  |  |  |
| 52                               | THERMOSTAT                        | CR-1                        | 4Y1929-02   | 4            | 4   |  |  |
| 53                               | PAN HEAD MACHINE SCREW W/ WASHERS | S.S                         | FSK0408S0   | 8            | 8   |  |  |
| 54                               | THERMISTOR (A) - ASSY             | NTFC-51F-H20-2              | 449758-02   | 1            | 1   |  |  |
| 55                               | HEX HEAD BOLT W/ WASHERS          | S.S                         | FBK0612S1   | 27           | 27  |  |  |
| 56                               | REED SWITCH                       | HC10                        | P00205-01   | 1            | 1   |  |  |
| 57                               | BAND - PUMP                       | S.S                         | 4Y7714A02   | 4            | 4   |  |  |
| 58                               | FLEXIBLE PIPE                     | S.S                         | 442363-13   | 1            | 1   |  |  |
| 59                               | PACKING - TUBE                    |                             | 4H9792-01   | 3            | 3   |  |  |
| 60                               | SPACER (B) - RINSE PUMP           | S.S                         | 4Y4549M02   | 1            | 1   |  |  |
| 61                               | O-RING                            | NBR                         | 7611-P045   | 2            | 2   |  |  |
| 62                               | HEX SOCKET SET SCREW (FLAT PO     | S.S                         | FSC0505S0   | 4            | 4   |  |  |
| 63                               | HOSE CLAMP                        | SNP-7                       | 435947-01   | 1            | 1   |  |  |
| 64                               | PACKING - JOINT                   | EPDM                        | 4Y3165-01   | 1            | 1   |  |  |
| 65                               | NUT                               | S.S                         | P00205F01   | 1            | 1   |  |  |
| 66                               | PACKING                           | SI.R                        | P00205F02   | 1            | 1   |  |  |
| 67                               | HEX HEAD BOLT W/ WASHERS          | S.S                         | FBK0512S0   | 2            | 2   |  |  |
| 68                               | SLIDE COVER                       | S.S                         | 447336-01   | 1            | 1   |  |  |
| 69                               | FLANGE BOLT                       | S.S                         | FBF0408S0   | 5            | 5   |  |  |
| 70                               | HEX HEAD BOLT W/ WASHERS          | S.S                         | FBK0512S1   | 4            | 4   |  |  |
| 71                               | CUSHION (A)                       | PE                          | 4Y4369P01   | 2            | 2   |  |  |
| 72                               | CUSHION (B)                       | PE                          | 4Y4370P01   | 1            | 1   |  |  |
| 73                               | COVER (A) - FRAME                 | S.S                         | 3Y2618M02   | 1            | 1   |  |  |
| 74                               | COVER (B) - FRAME                 | S.S                         | 3Y2619M02   | 1            | 1   |  |  |
| 75                               | HINGE                             | S.S                         | 443721-01   | 2            | 2   |  |  |
| 76                               | SCREW                             | S.S                         | 4Y4752M01   | 8            | 8   |  |  |
| 77                               | O-RING                            | NBR                         | 7611AP022   | 1            | 1   |  |  |
| 78                               | HEX HEAD BOLT W/ WASHERS          | S.S                         | FBK0512S0   | 2            | 2   |  |  |
| 79                               | HEX HEAD BOLT W/ WASHERS          | S.S                         | FBK0412S1   | 4            | 4   |  |  |
| 80                               | SCREW                             | S.S                         | 4Y1319-06   | 2            | 2   |  |  |
| 81                               | SWITCH PLATE (L)                  | S.S                         | 4Y6424G01   | 2            | 2   |  |  |
| 82                               | MAGNET                            |                             | P00206-01   | 2            | 2   |  |  |

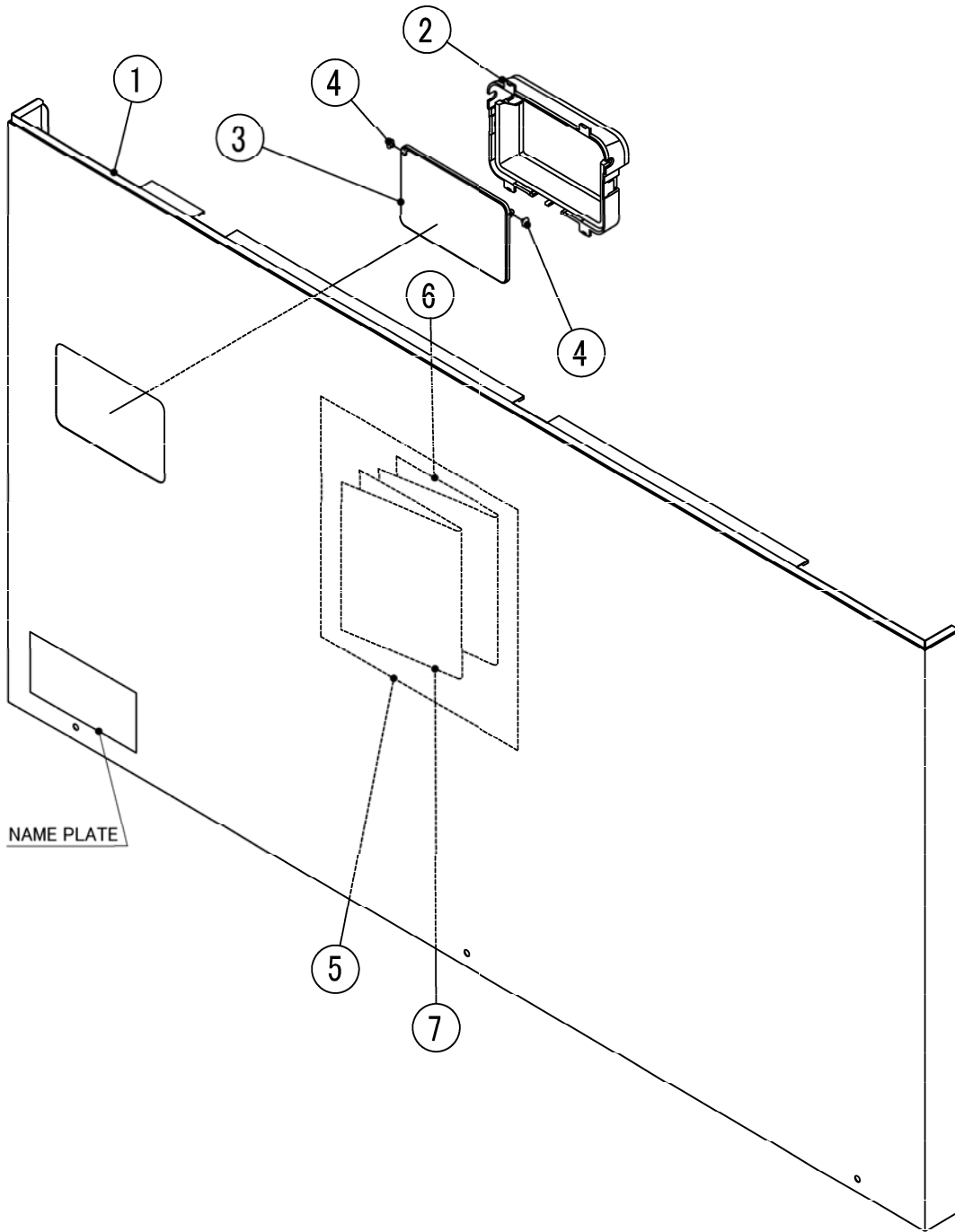




HA

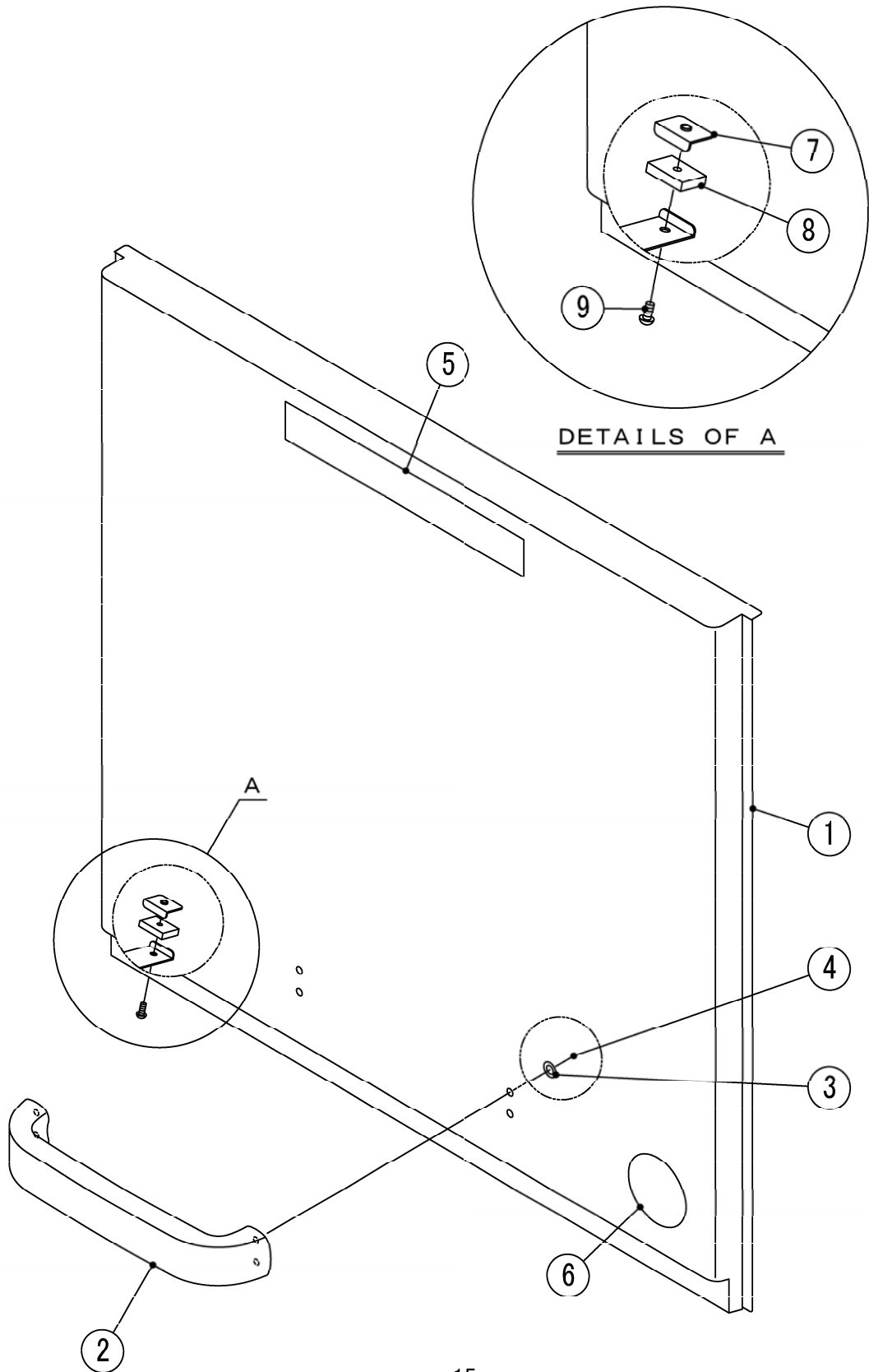
| MODEL : JWE-2400CUA-L-25B TITLE : C. BOOSTER ASSY |                                      |                          |             |              |     |  |  |
|---|--------------------------------------|--------------------------|-------------|--------------|-----|--|--|
| INDEX NO.   | DESCRIPTION                          | MATERIAL OR MODEL NUMBER | PART NUMBER | REQ'D NUMBER |     |  |  |
|   |                                      |                          |             | A-1<br>B-0   | B-1 |  |  |
| U   | FRONT PANEL - BOOSTER                | -                        | 3Y5363A01   | 1            | 1   |  |  |
| 1   | BOOSTER TANK                         | S.S                      | 3Y5055G01   | 1            | 1   |  |  |
| 2   | BASE - BOOSTER                       | S.S                      | 3Y5056M01   | 1            | 1   |  |  |
| 3   | THERMOSTAT                           | 05N-V035-090             | P02207-01   | 1            | 1   |  |  |
| 4   | SIDE PANEL (R) - BOOSTER             | S.S                      | 2H9955M01   | 1            | 1   |  |  |
| 5   | SIDE PANEL (L) - BOOSTER             | S.S                      | 2H9956M01   | 1            | 1   |  |  |
| 6   | TOP PANEL - BOOSTER                  | S.S                      | 3Y5057M01   | 1            | 1   |  |  |
| 7   | TRUSS HEAD MACHINE SCREW             | S.S                      | FST0408S0   | 19           | 19  |  |  |
| 8   | SHEATH HEATER                        | HV-23280D                | P01721-01   | 9            | 9   |  |  |
| 9   | WASHER                               | S.S                      | P01721F01   | 18           | 18  |  |  |
| 10  | PACKING                              | SI.R                     | P01721F02   | 18           | 18  |  |  |
| 11  | NUT                                  | S.S                      | P01721F03   | 18           | 18  |  |  |
| 12  | THERMISTOR (C) - ASSY                | NTFC-51F-H5-2            | P00574-01   | 1            | 1   |  |  |
| 13  | THERMISTOR PIPE - WELD               | S.S                      | 4Y3183G01   | 1            | 1   |  |  |
| 14  | O-RING                               | EPDM                     | 7614-P007   | 1            | 1   |  |  |
| 15  | NUT                                  | S.S                      | FNH106S0    | 1            | 1   |  |  |
| 16  | THERMOSTAT PLATE (UP)                | S.S                      | 4Y3164-01   | 1            | 1   |  |  |
| 17  | THERMOSTAT PLATE (LO)                | S.S                      | 4Y3163-01   | 1            | 1   |  |  |
| 18  | PAN HEAD MACHINE SCREW W/<br>WASHERS | S.S                      | FSK0305S0   | 4            | 4   |  |  |
| 19  | THERMOSTAT                           | CR-1                     | 4Y1929-02   | 6            | 6   |  |  |
| 20  | PAN HEAD MACHINE SCREW W/<br>WASHERS | S.S                      | FSK0408S0   | 12           | 12  |  |  |
| 21  | BAND - HEATER                        | S.S                      | 4Y6604M01   | 3            | 3   |  |  |
| 22  | HEX HEAD BOLT W/ WASHERS             | S.S                      | FBK0408S1   | 3            | 3   |  |  |
| 23  | FLOAT SWITCH                         | OLV-20-E                 | 449401-01   | 1            | 1   |  |  |
| 24  | NUT                                  | S.S                      | 449401F01   | 1            | 1   |  |  |
| 25  | PACKING                              | SI.R                     | 449401F02   | 1            | 1   |  |  |
| 26  | FLOAT SWITCH                         | OLV-20-C1                | 4Y2820-01   | 2            | 2   |  |  |
| 27  | NUT                                  | S.S                      | 4Y2820F01   | 2            | 2   |  |  |
| 28  | PACKING                              | SI.R                     | 4Y2820F02   | 2            | 2   |  |  |
| 29  | WATER VALVE                          | J248-076F                | 456461-01   | 1            | 1   |  |  |
| 30  | TRUSS HEAD MACHINE SCREW             | S.S                      | FST0410S0   | 2            | 2   |  |  |
| 31  | HOSE - WV                            |                          | 4Y3492-01   | 1            | 1   |  |  |



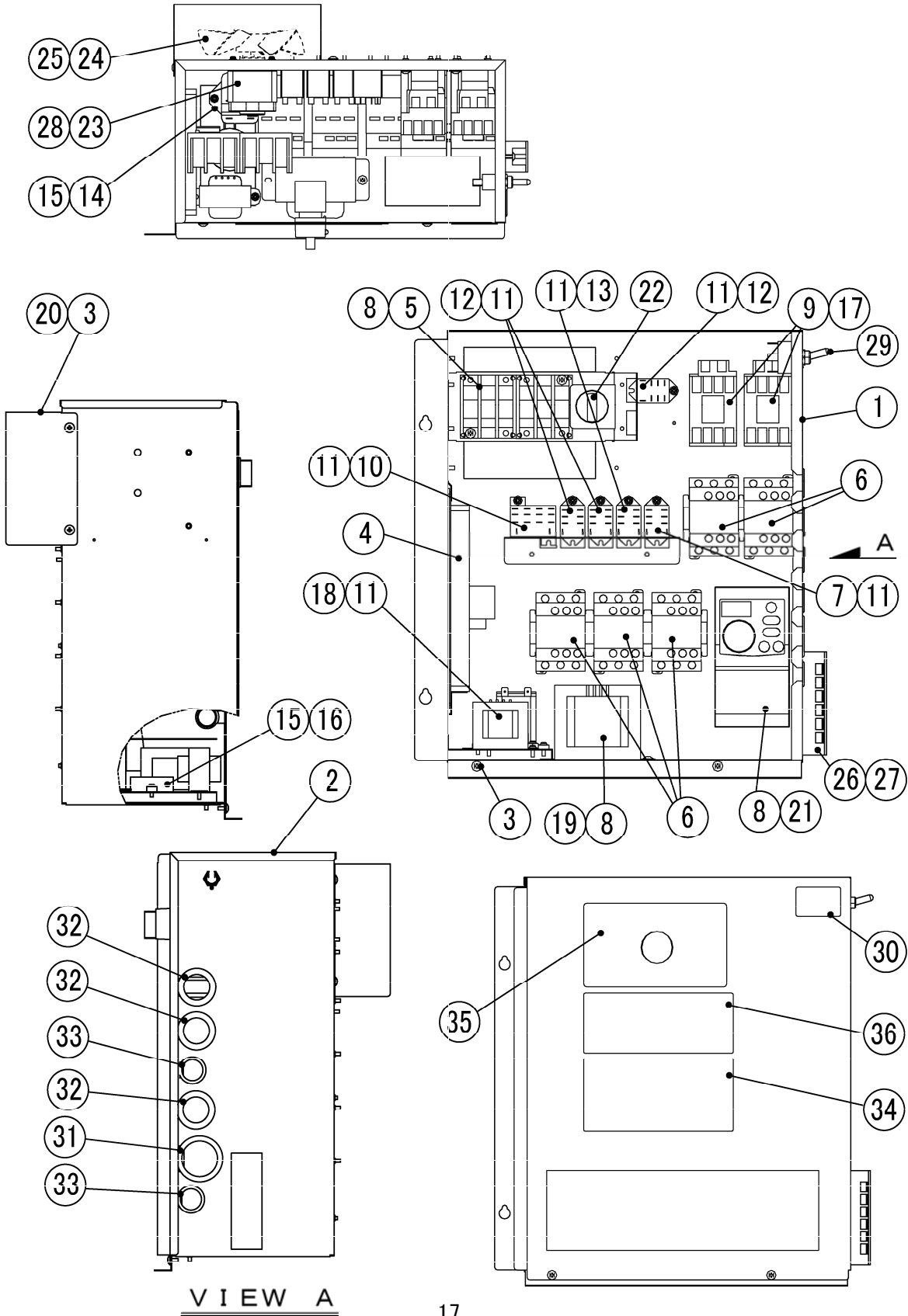










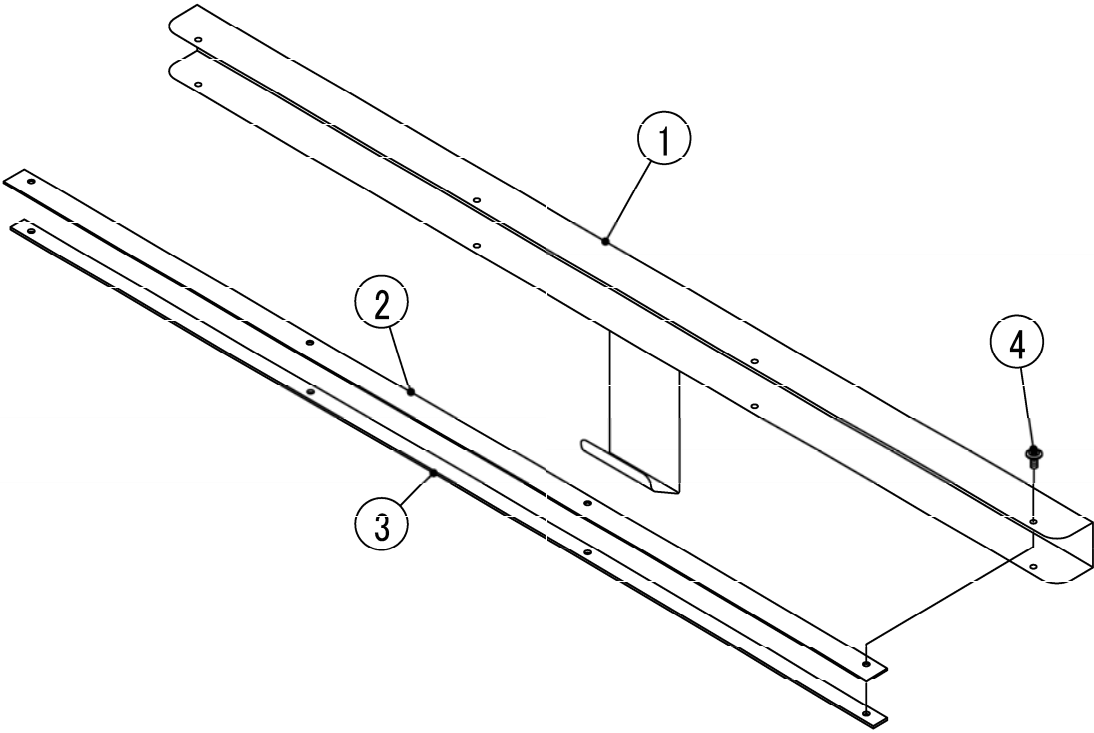


**HA**

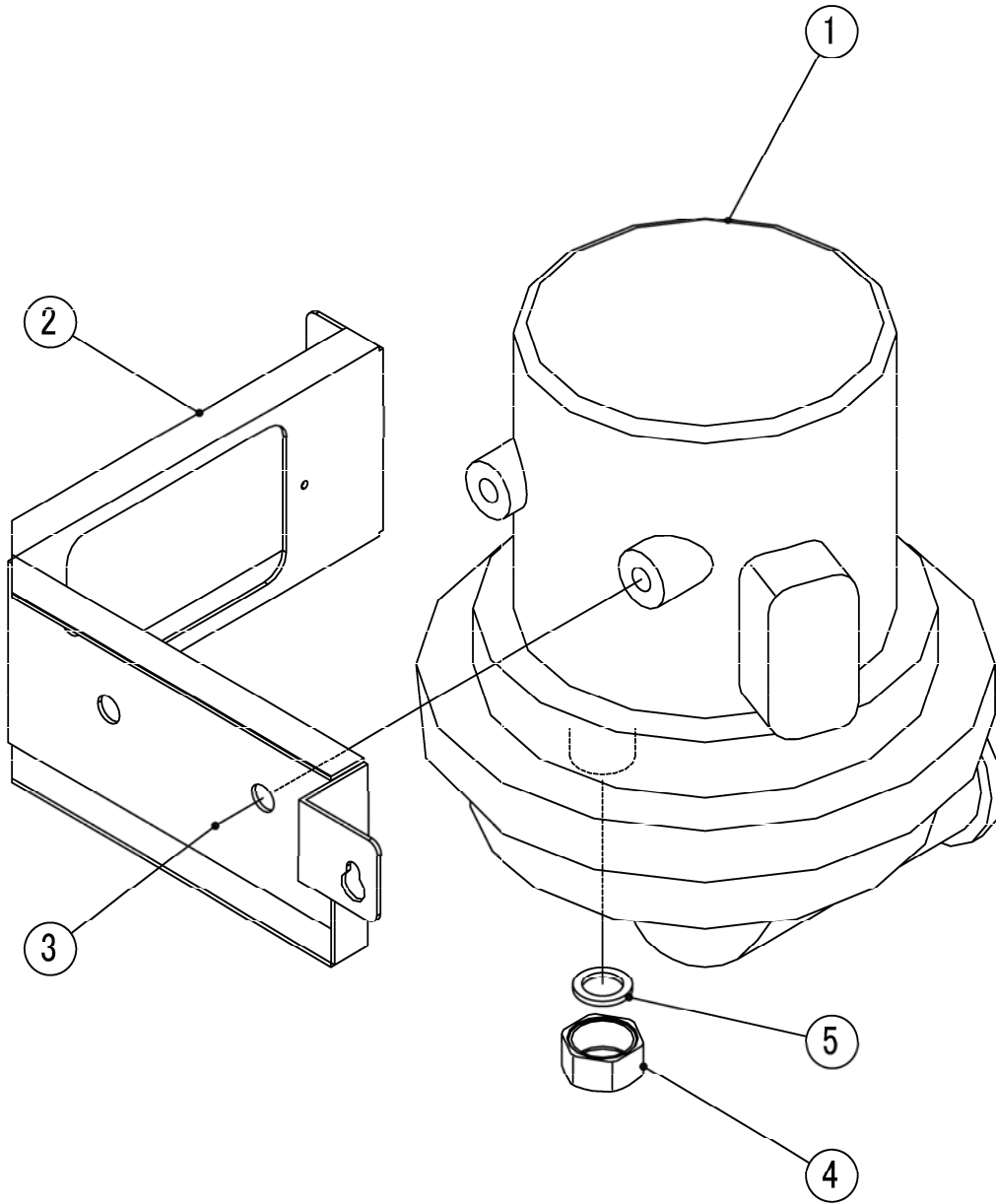
| MODEL : <b>JWE-2400CUA-L-25B</b> TITLE : <b>F. CONTROL BOX ASSY</b> |                                      |                          |             |              |     |  |  |
|---|--------------------------------------|--------------------------|-------------|--------------|-----|--|--|
| INDEX NO.   | DESCRIPTION                          | MATERIAL OR MODEL NUMBER | PART NUMBER | REQ'D NUMBER |     |  |  |
|   |                                      |                          |             | A-1<br>B-0   | B-1 |  |  |
| 1   | CONTROL BOX                          | S.S                      | 2H9958G01   | 1            | 1   |  |  |
| 2   | COVER - CONTROL BOX                  | S.S                      | 3Y5060G01   | 1            | 1   |  |  |
| 3   | TRUSS HEAD TAPPING SCREW             | S.S                      | FT20408M0   | 6            | 6   |  |  |
| 4   | CONTROLLER BOARD                     | HSTZZD0095               | P01831-01   | 1            | 1   |  |  |
| 5   | TERMINAL BLOCK                       | 1413400                  | 4A5358-01   | 2            | 2   |  |  |
| 6   | MAGNETIC CONTACTOR                   | LC1D186L7-HS             | 4Y2392-02   | 5            | 5   |  |  |
| 7   | RELAY                                | LY2ZF                    | 406132-05   | 1            | 1   |  |  |
| 8   | TRUSS HEAD MACHINE SCREW             | S.S                      | FST0408S0   | 6            | 6   |  |  |
| 9   | MAGNETIC CONTACTOR                   | S-N11                    | 4Y3365-01   | 2            | 2   |  |  |
| 10  | RELAY                                | LY4F                     | 406133-02   | 1            | 1   |  |  |
| 11  | TP TAPPING SCREW                     | S.S                      | 431415-01   | 7            | 7   |  |  |
| 12  | RELAY                                | LY1F                     | 418271-02   | 3            | 3   |  |  |
| 13  | RELAY                                | LY2F                     | 406132-02   | 1            | 1   |  |  |
| 14  | RELAY - PHASE REVERSAL               | RDR-S230-M               | P01000-01   | 1            | 1   |  |  |
| 15  | TP TAPPING SCREW                     | S.S                      | 431415-03   | 4            | 4   |  |  |
| 16  | BUZZER                               | PKB5-3A24-ASSY           | 463024-01   | 1            | 1   |  |  |
| 17  | TRUSS HEAD MACHINE SCREW             | S.S                      | FST0416S0   | 4            | 4   |  |  |
| 18  | TRANSFORMER                          | 10012                    | P01763-01   | 1            | 1   |  |  |
| 19  | TRANSFORMER                          | HO4118-000               | P02049-01   | 1            | 1   |  |  |
| 20  | COVER (C) -FAN MOTOR                 | S.S                      | 4Y4264M01   | 1            | 1   |  |  |
| 21  | INVERTER                             | FR-D720-0.1K-60          | P01775-01   | 1            | 1   |  |  |
| 22  | SELECT SWITCH                        | A22-3M                   | P00202-01   | 1            | 1   |  |  |
| 23  | FAN MOTOR                            | F3042R                   | P01203-01   | 1            | 1   |  |  |
| 24  | FAN                                  | PP                       | 449942-01   | 1            | 1   |  |  |
| 25  | SPEED NUT                            | S.S                      | 449942F01   | 1            | 1   |  |  |
| 26  | TERMINAL BLOCK                       | T3052-1-6P-CS            | P01375-04   | 1            | 1   |  |  |
| 27  | TRUSS HEAD MACHINE SCREW             | S.S                      | FST0412S0   | 2            | 2   |  |  |
| 28  | PAN HEAD MACHINE SCREW W/<br>WASHERS | S.S                      | FSK0308S0   | 2            | 2   |  |  |
| 29  | VOLTAGE TAP SWITCH                   | WD11019F                 | P01446-01   | 1            | 1   |  |  |
| 30  | LABEL-VOLTAGE TAP                    |                          | 474063L01   | 1            | 1   |  |  |
| 31  | BUSHING                              | SB-1375-16               | 420470-04   | 2            | 2   |  |  |
| 32  | BUSHING                              | OCB-1000                 | 428394-05   | 3            | 3   |  |  |



# G. HOOK ASSY

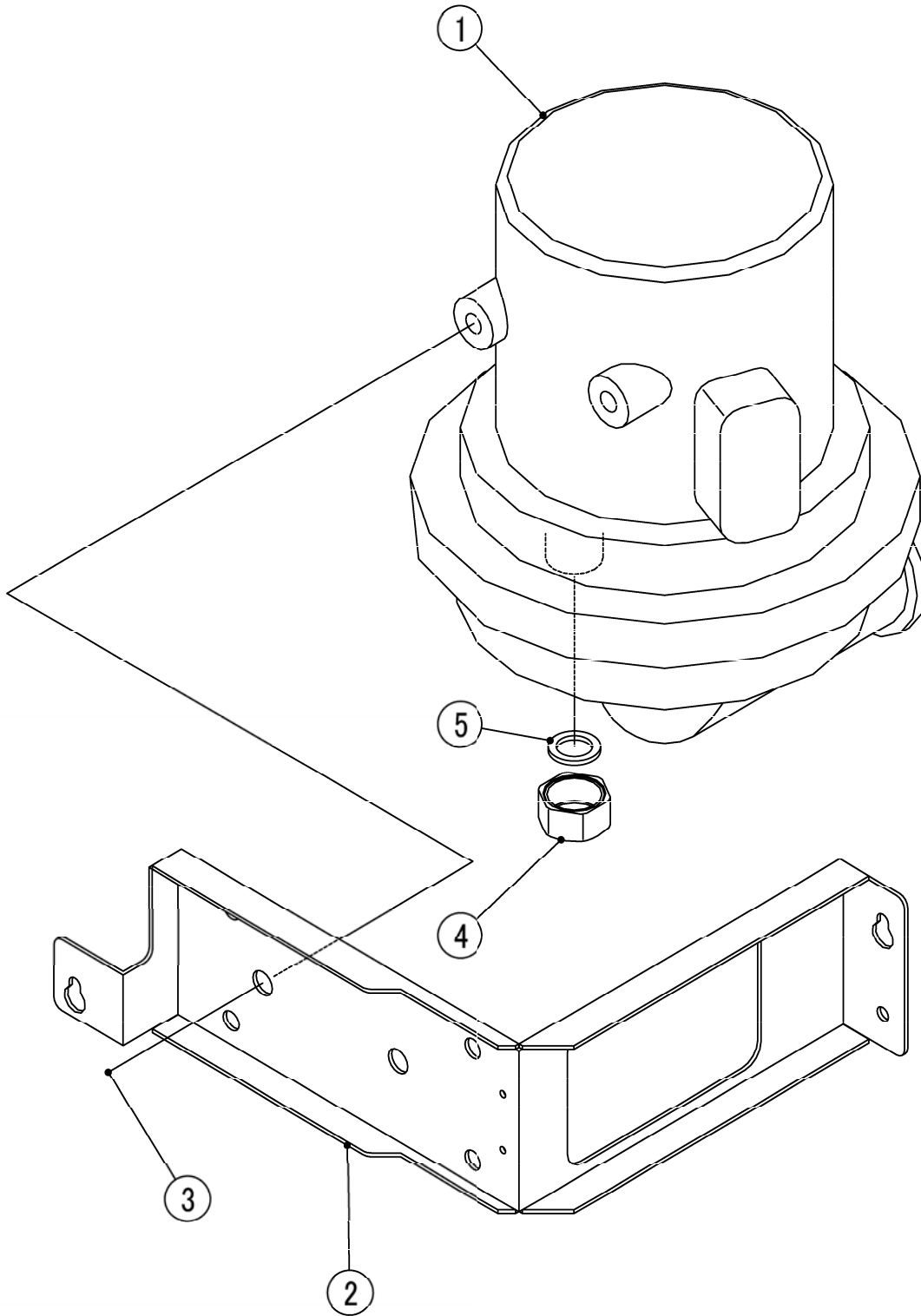




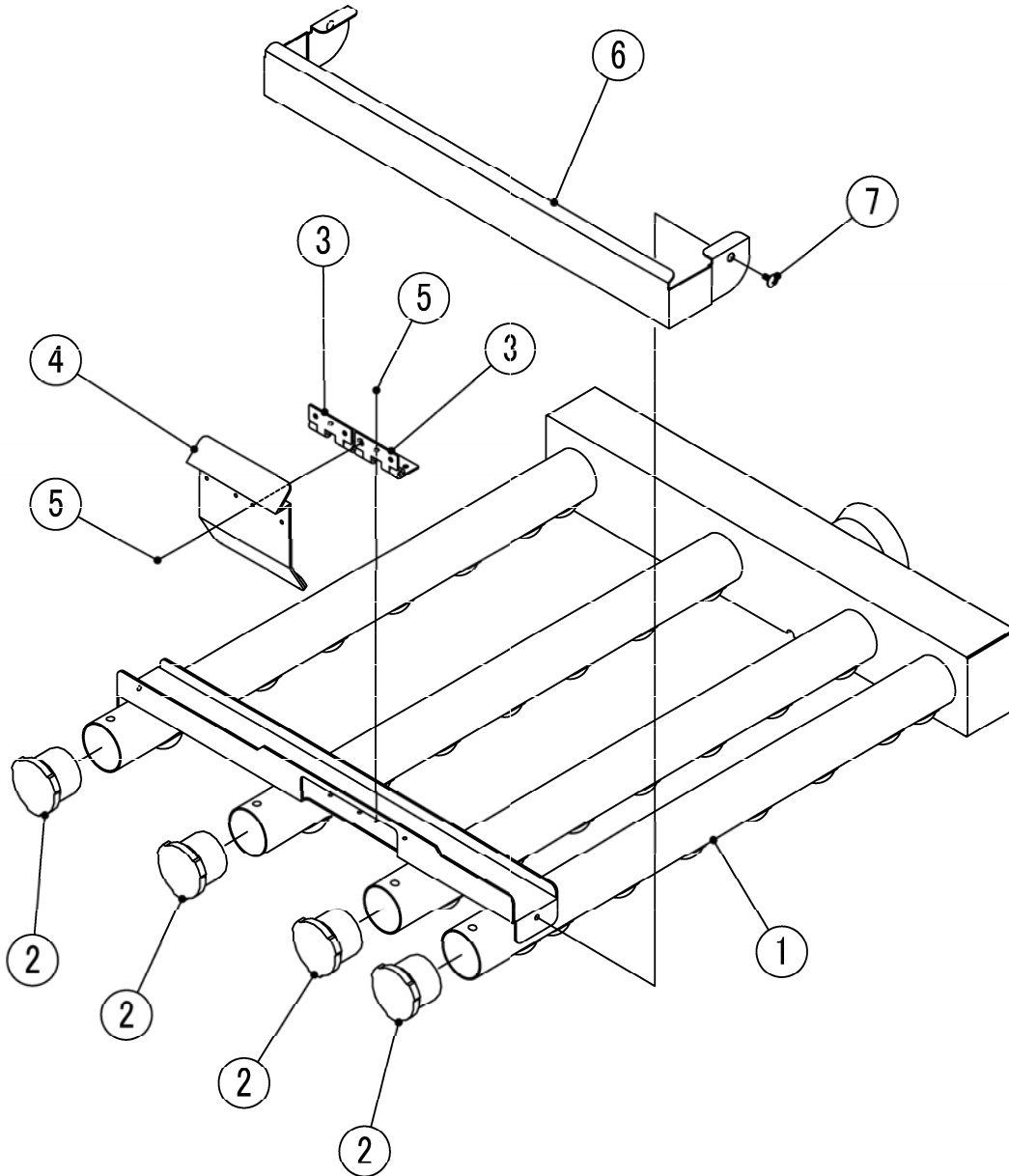




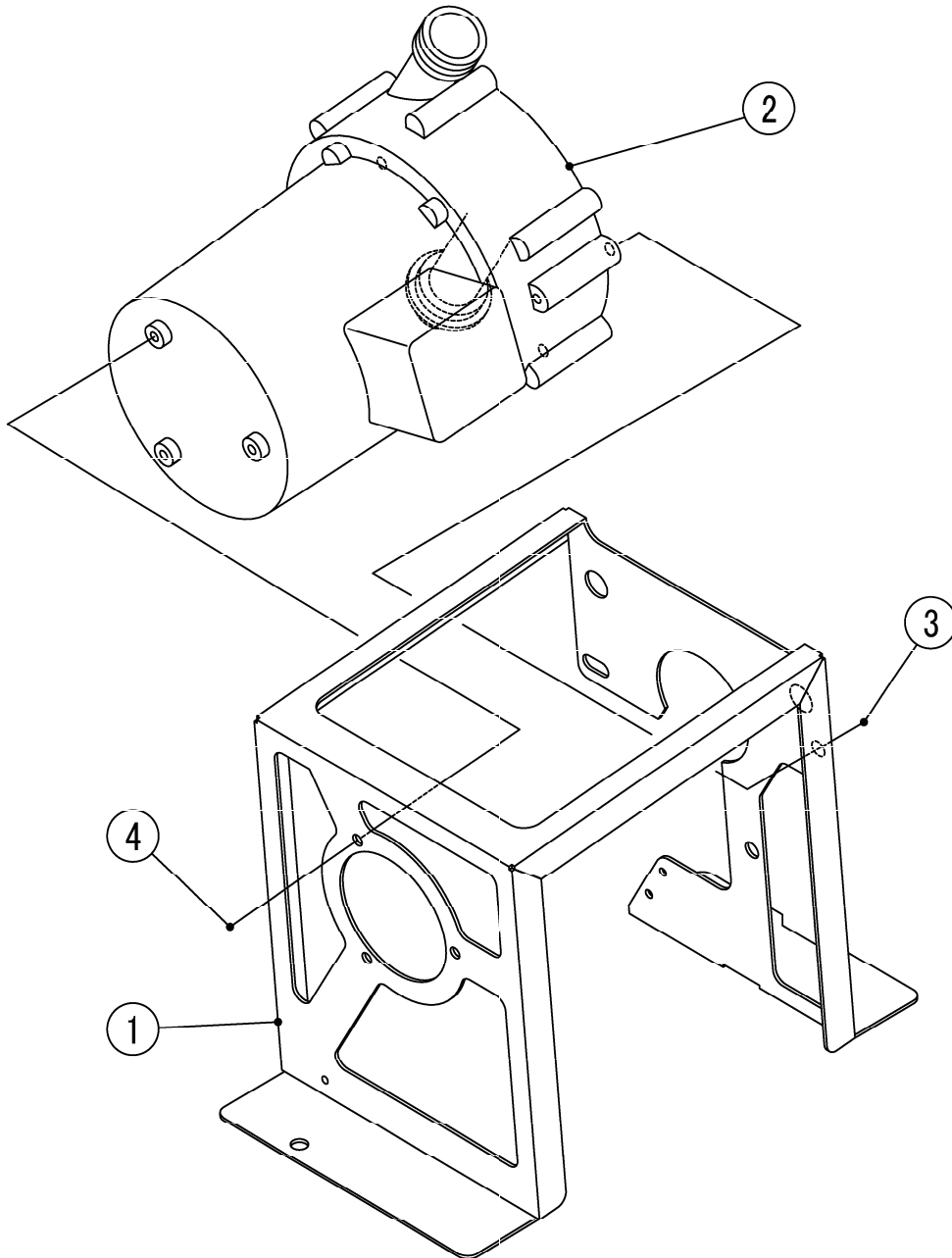




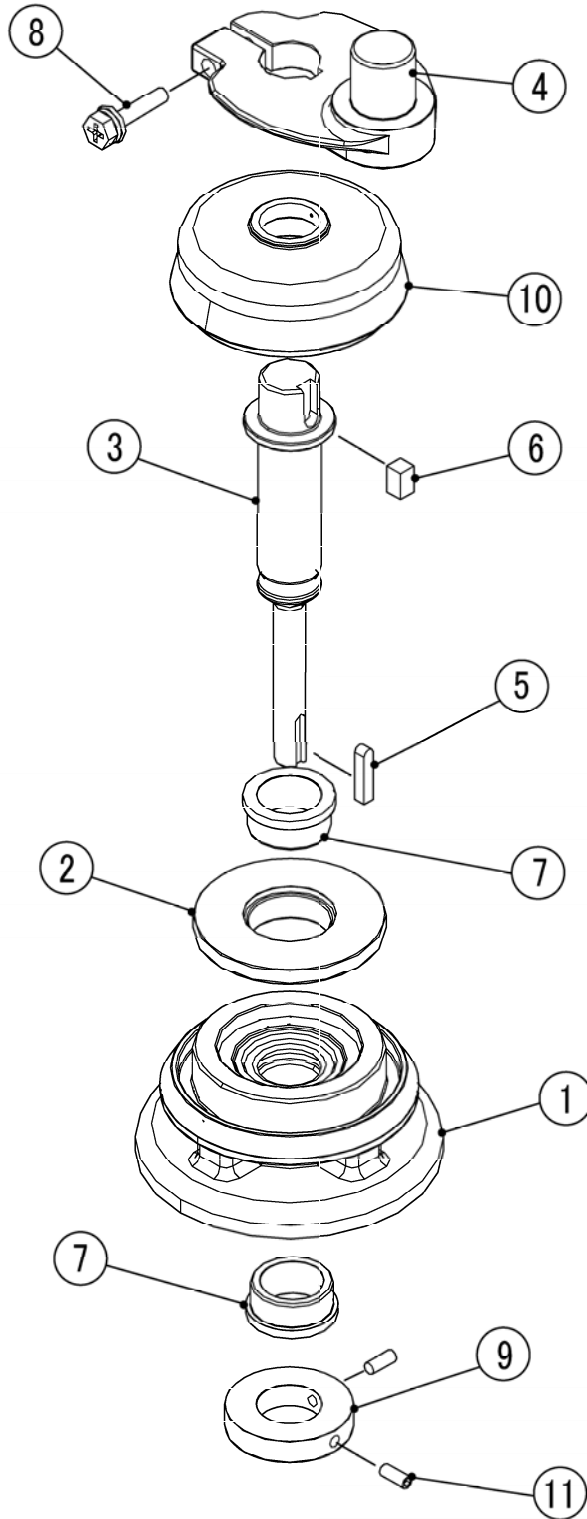






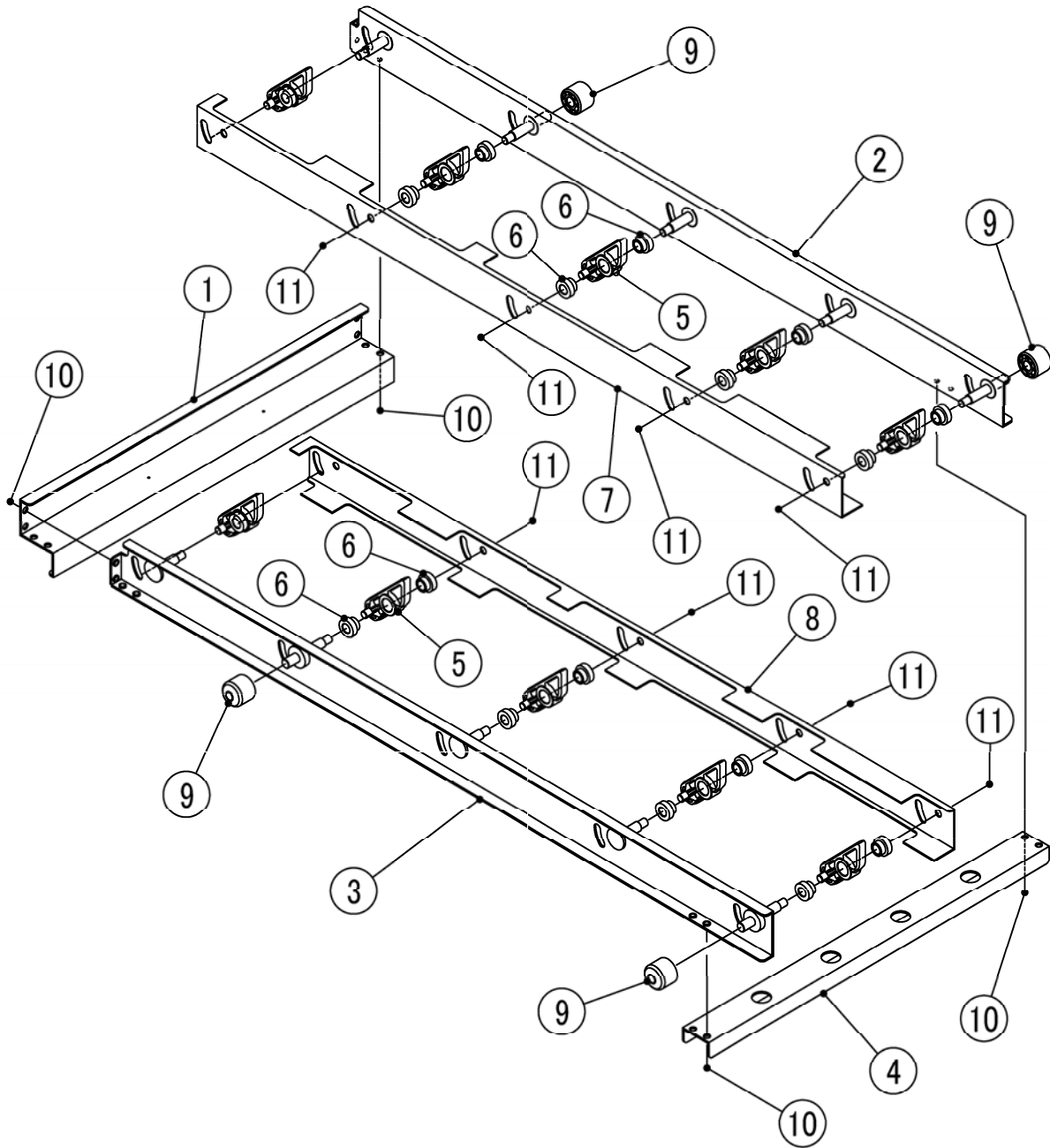




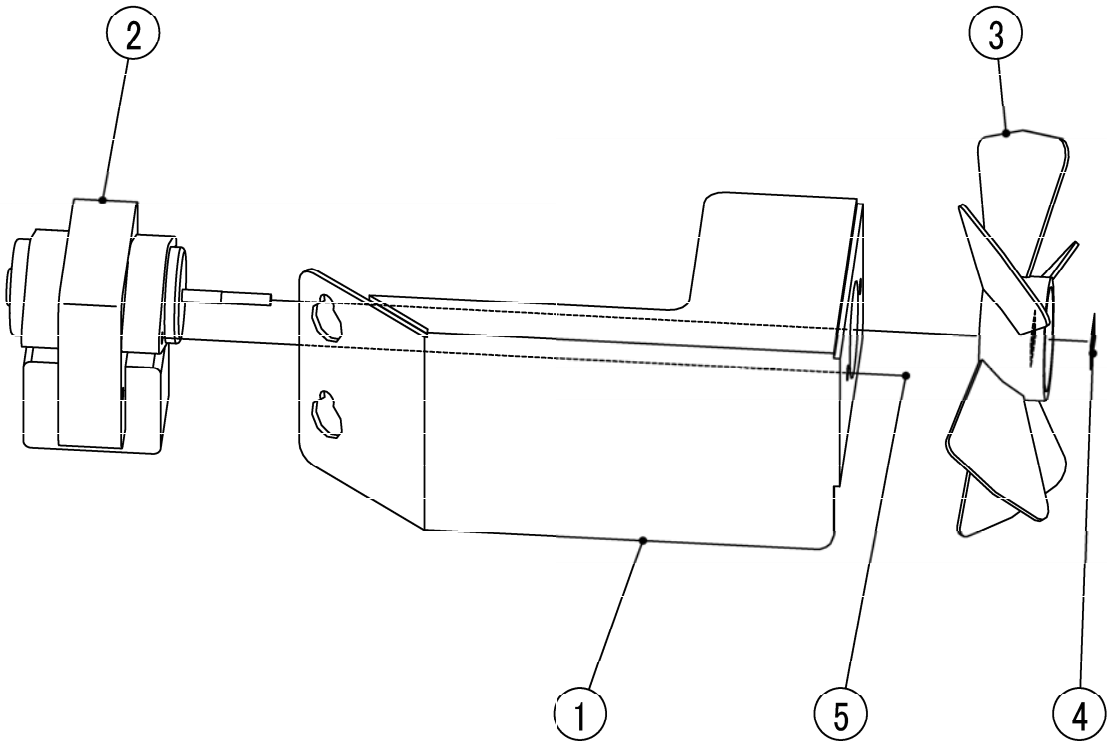




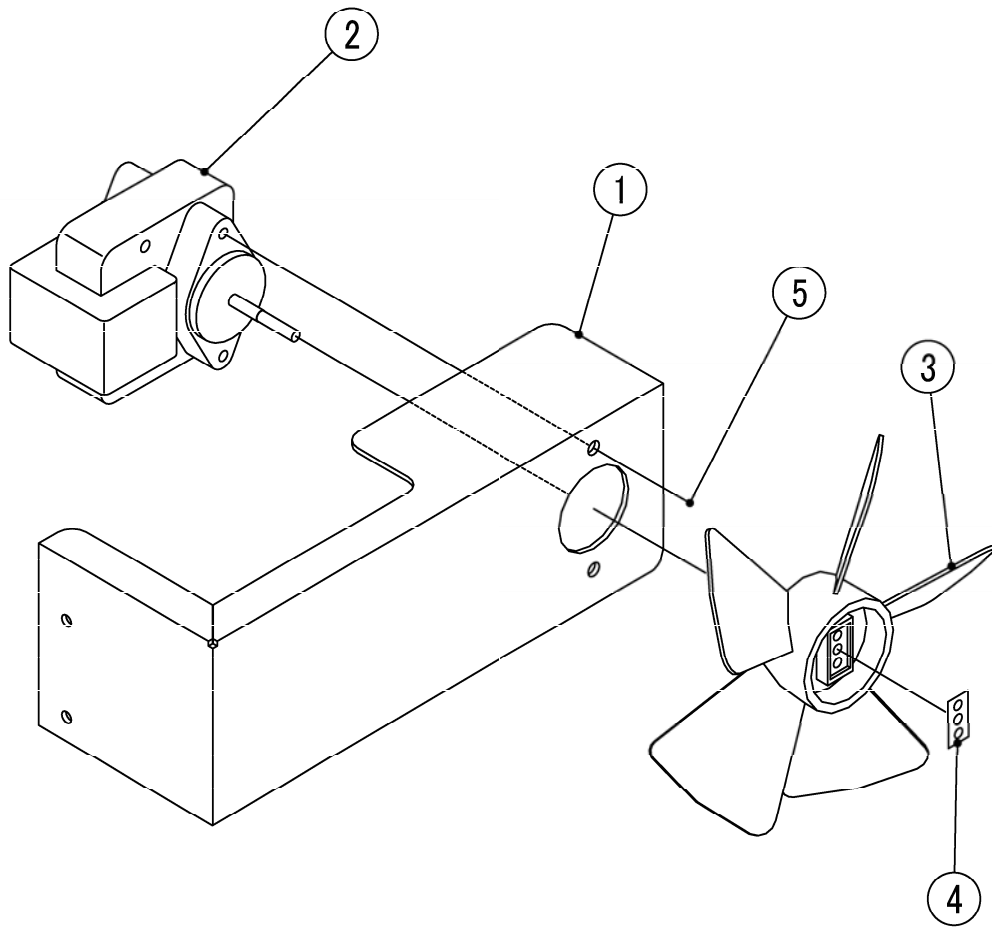




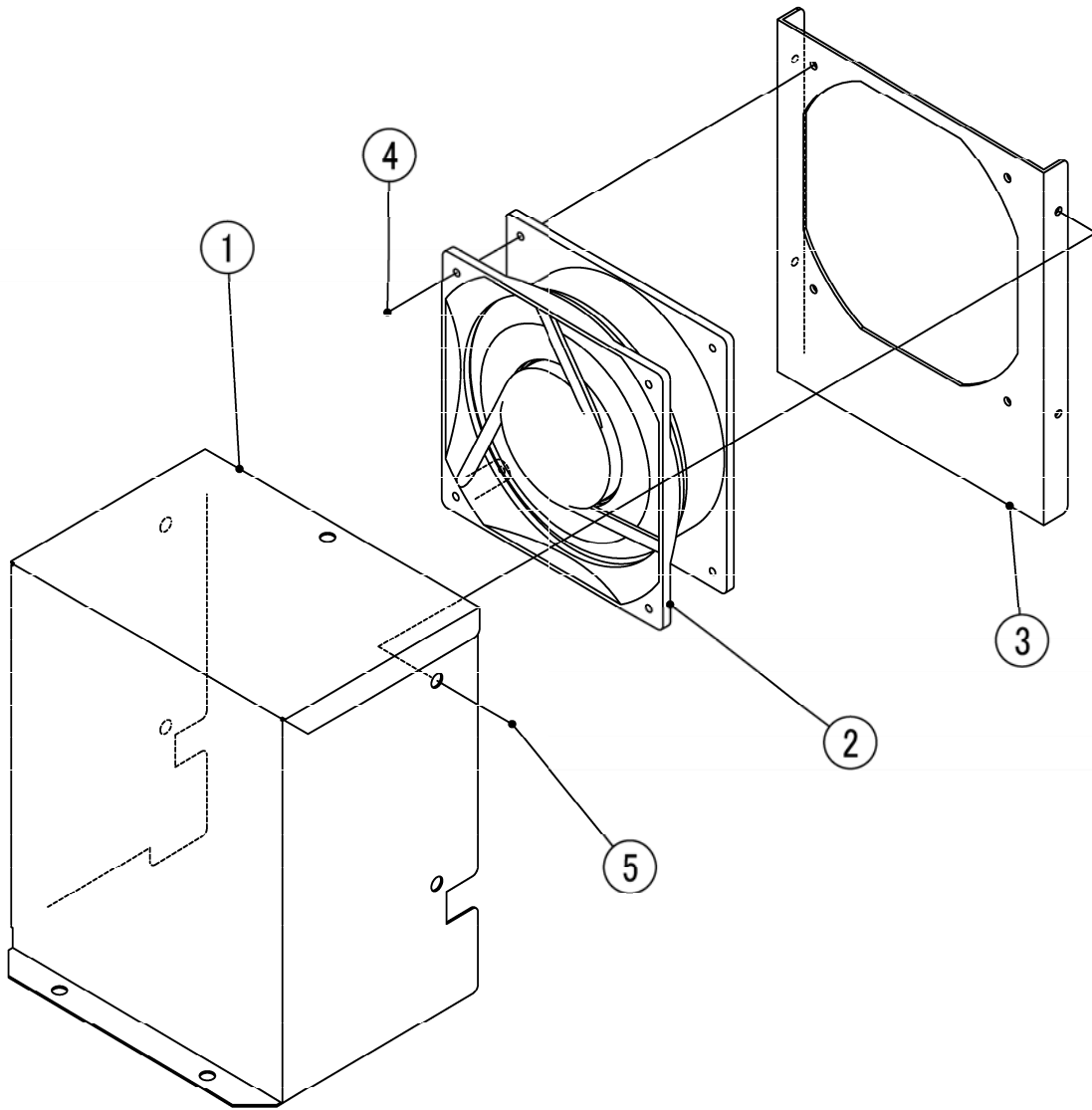






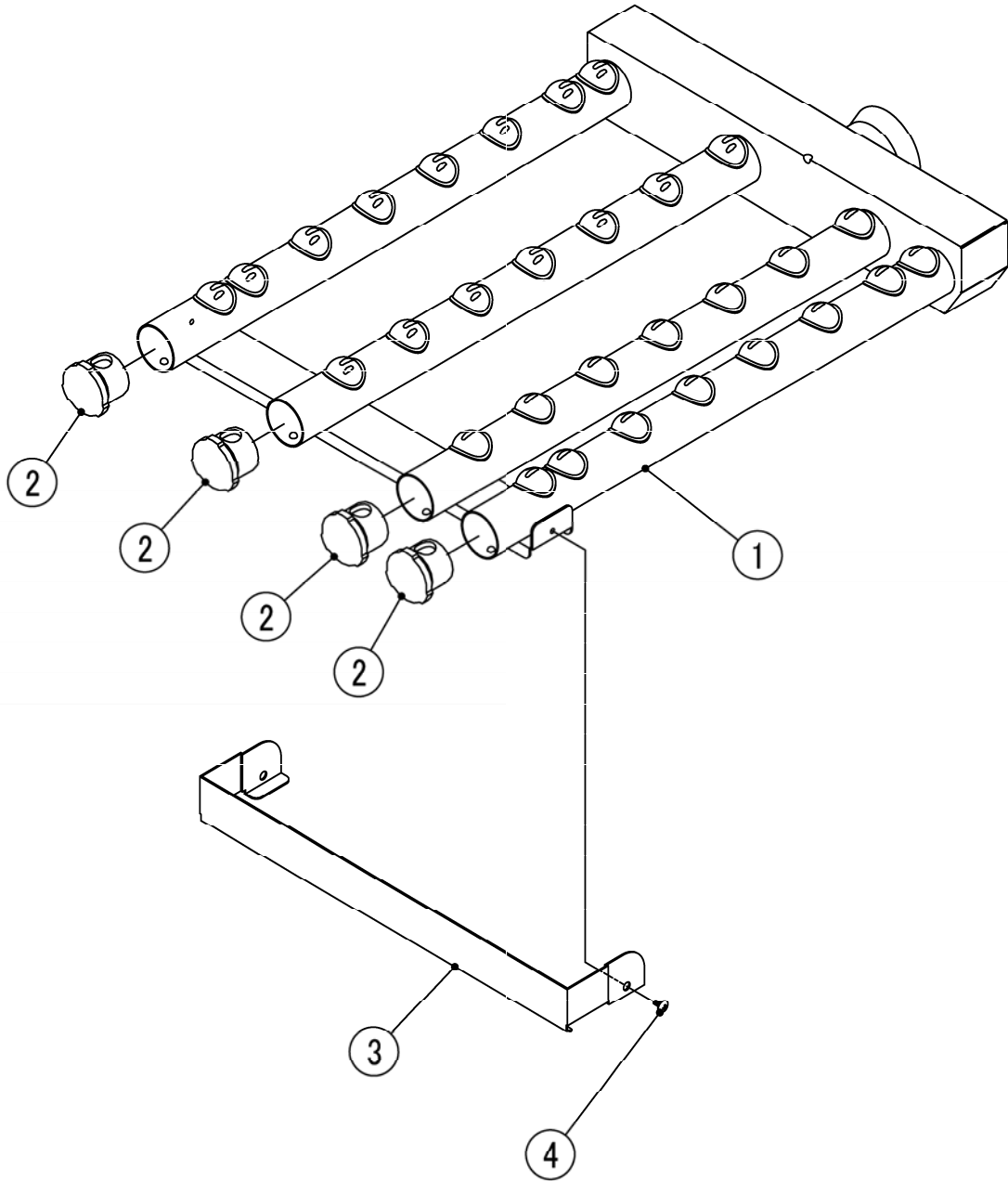




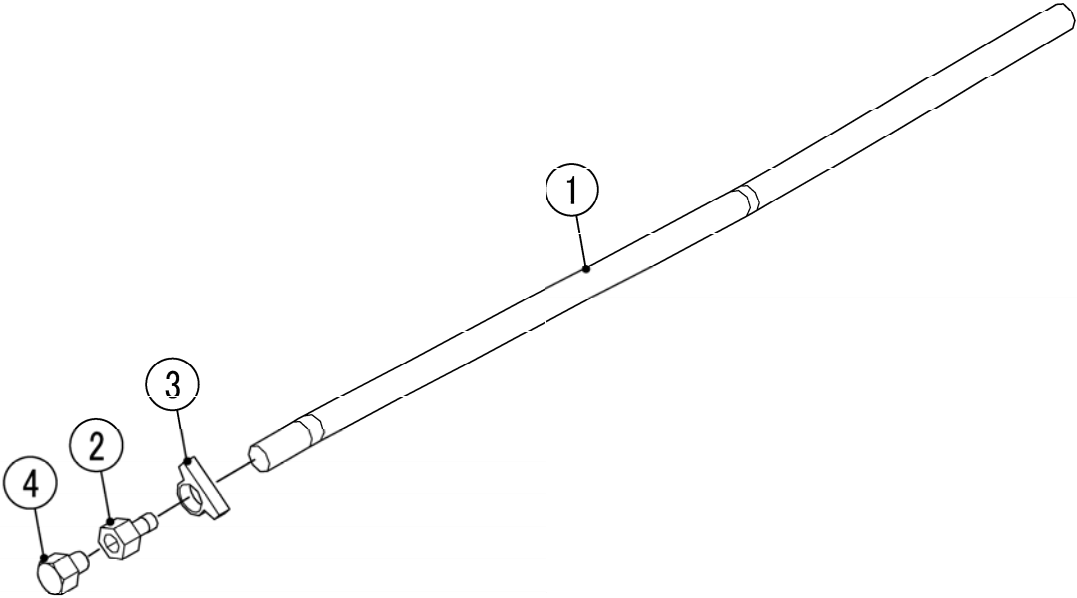




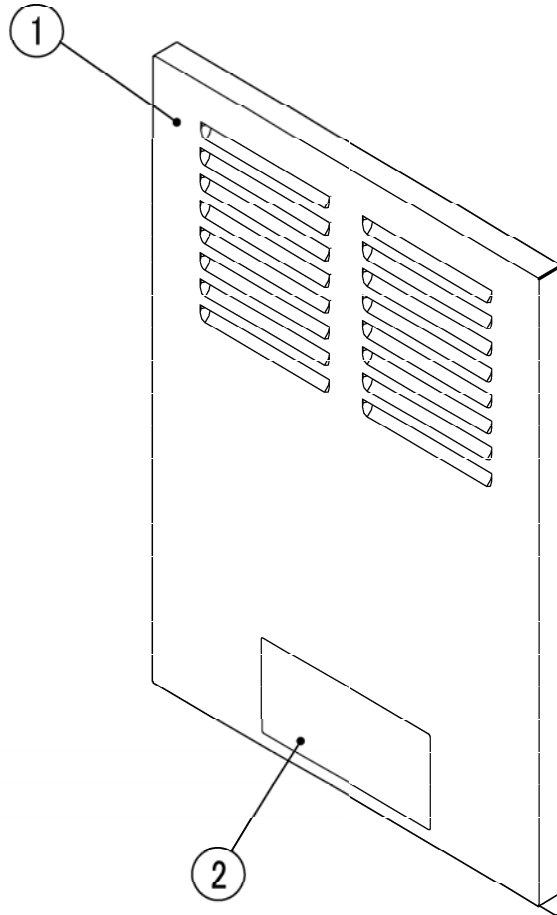




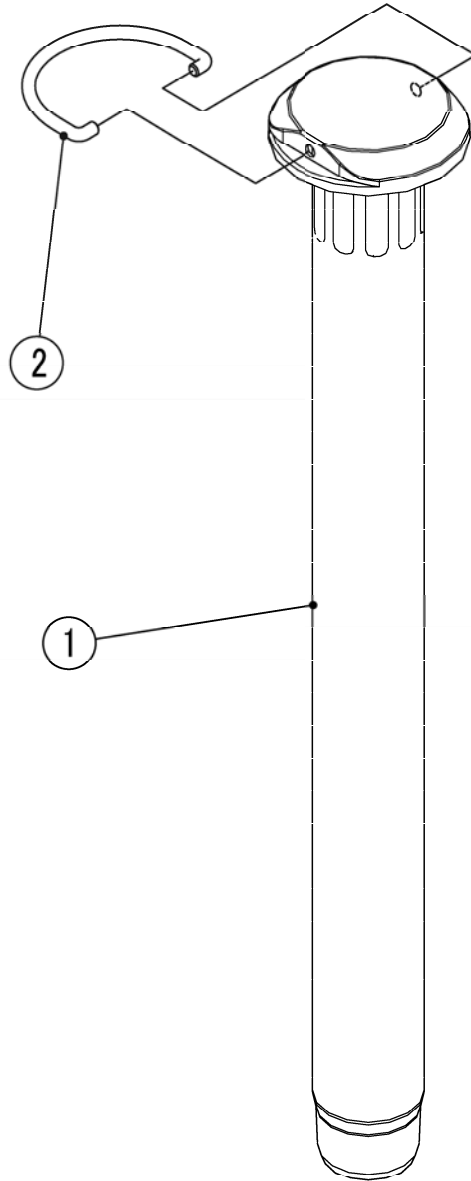






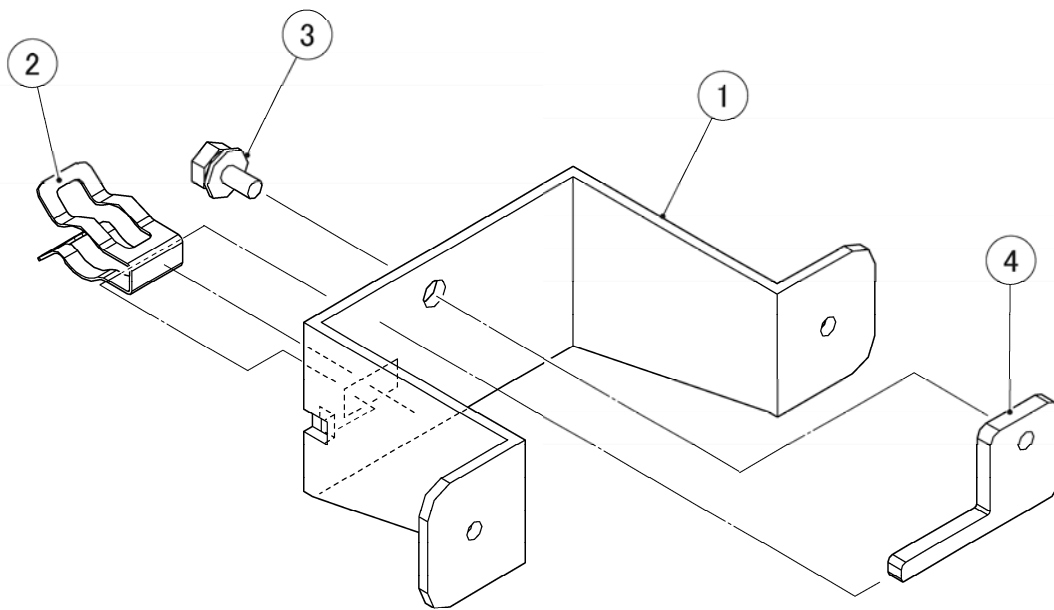




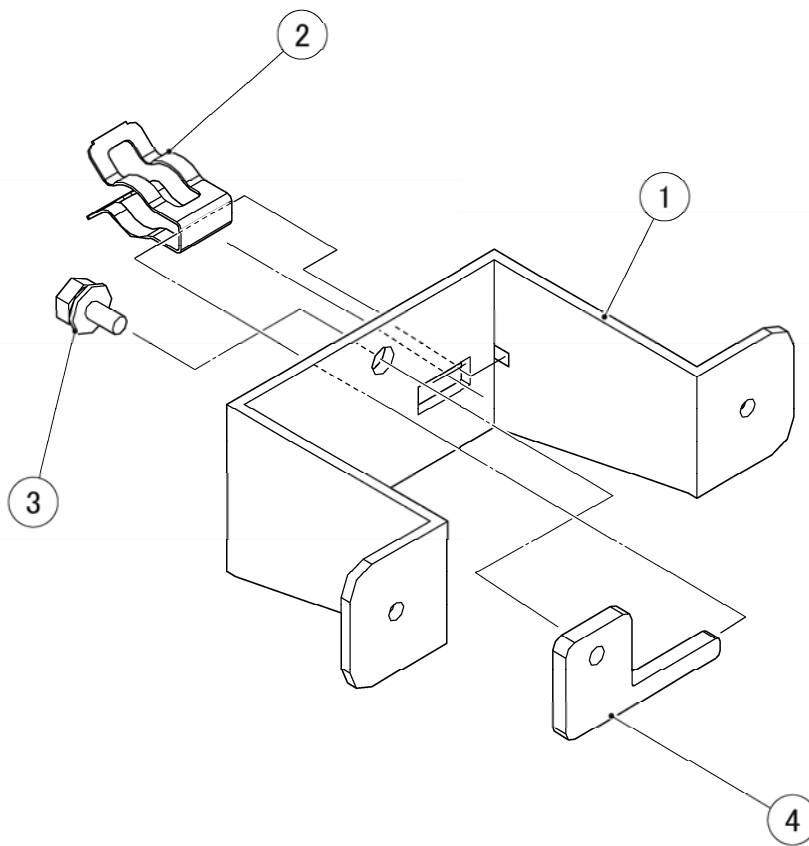




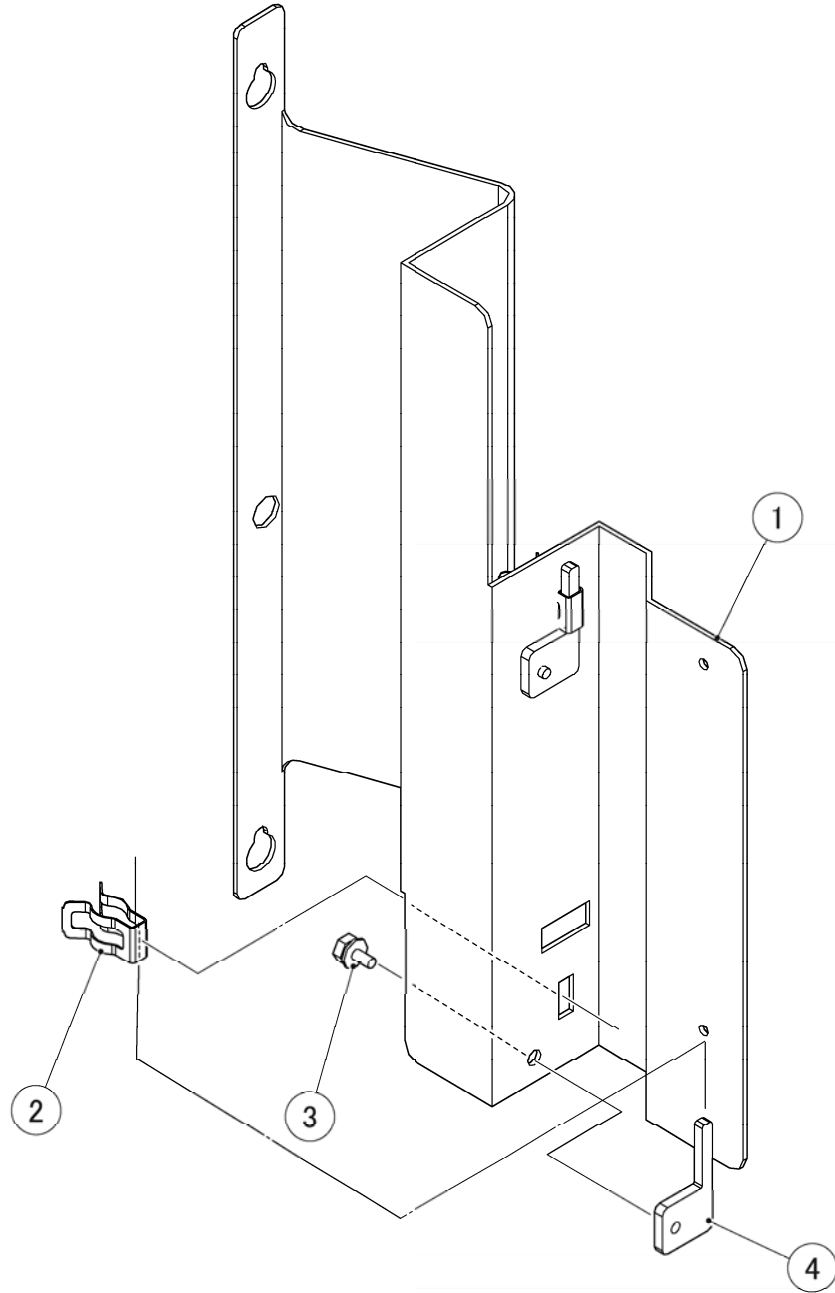




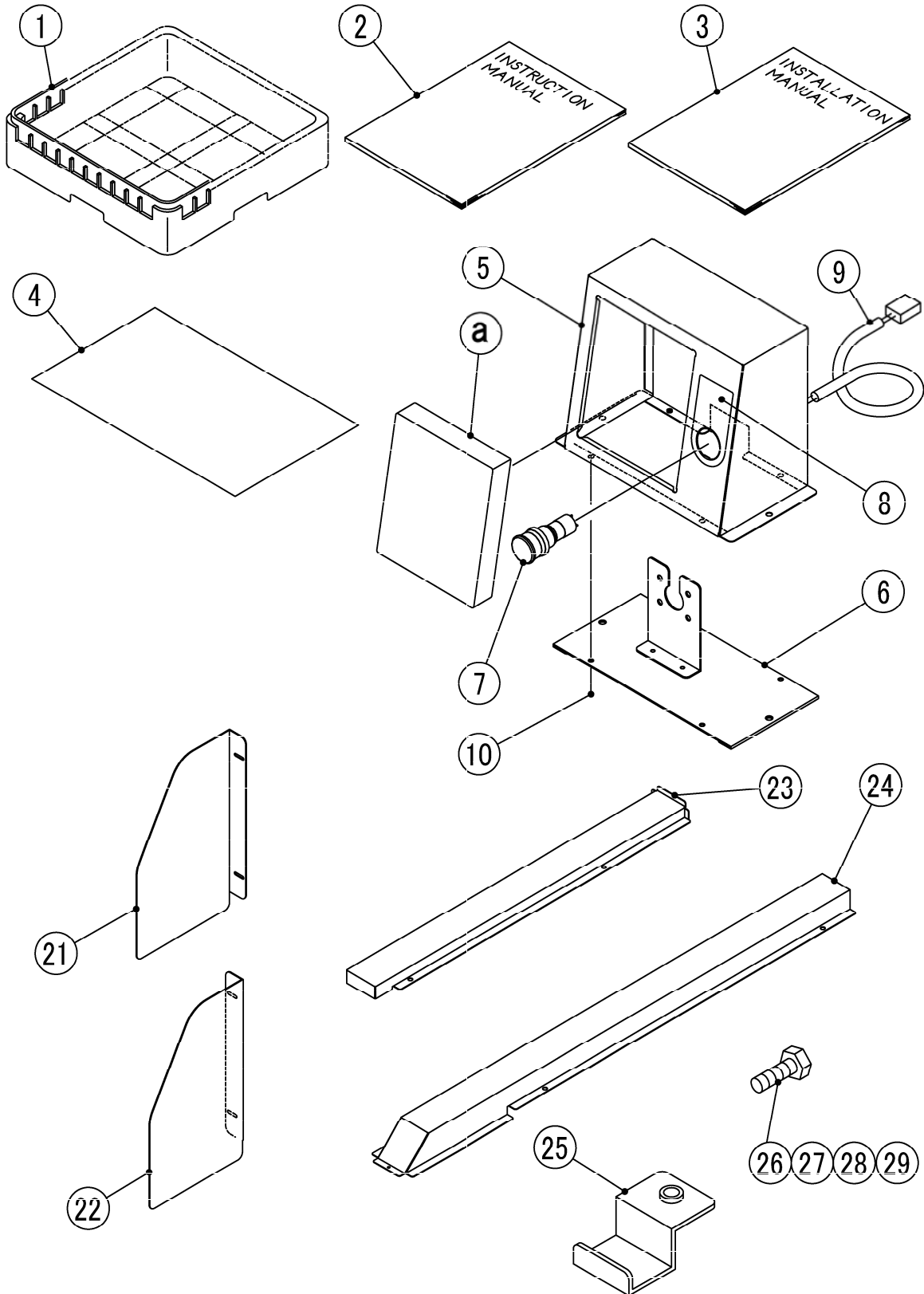




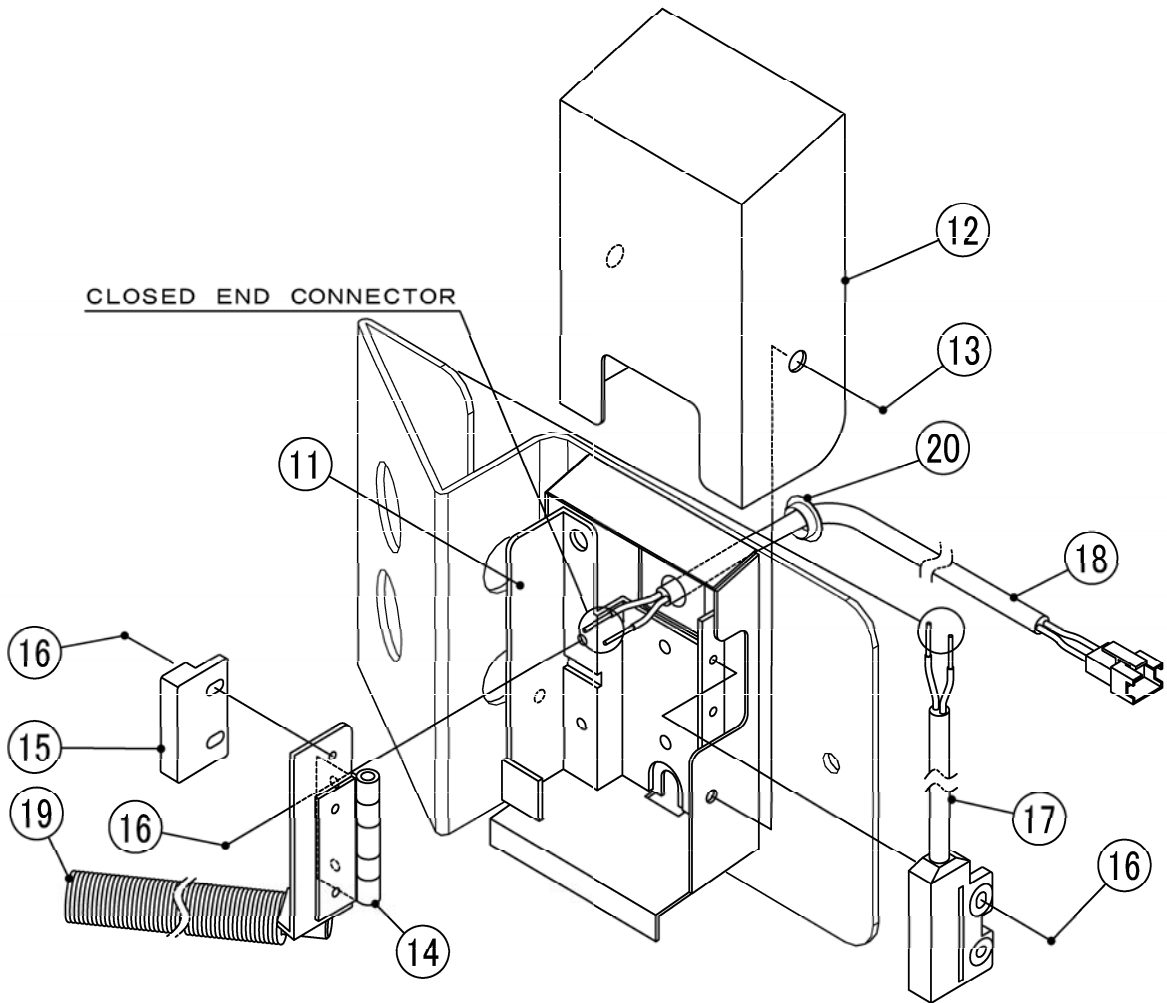






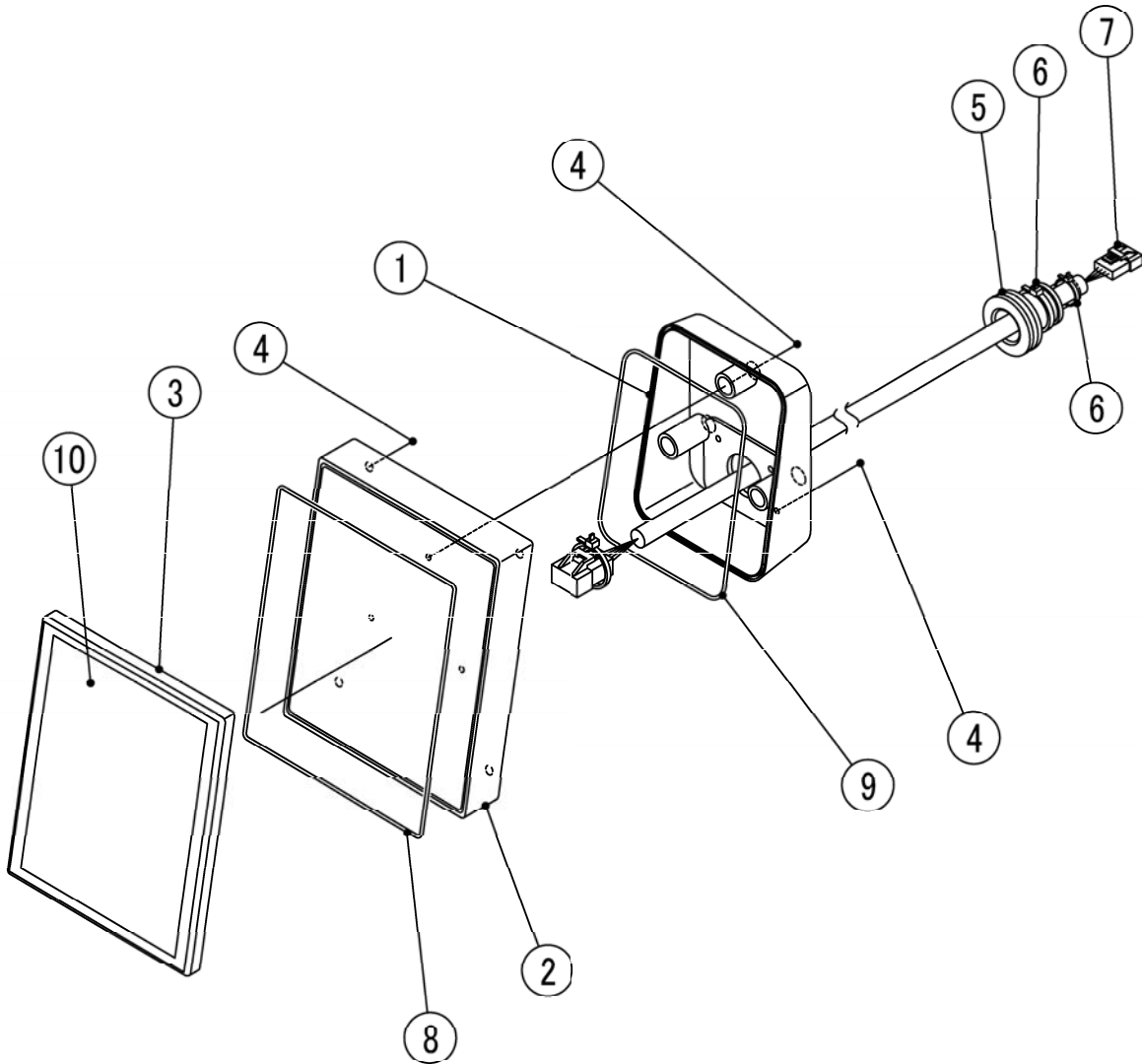






HA

| MODEL : JWE-2400CUA-L-25B TITLE : Z. ACCESSORIES |                                   |                          |             |              |     |  |  |
|--|-----------------------------------|--------------------------|-------------|--------------|-----|--|--|
| INDEX NO.  | DESCRIPTION                       | MATERIAL OR MODEL NUMBER | PART NUMBER | REQ'D NUMBER |     |  |  |
|  |                                   |                          |             | A-1 B-0      | B-1 |  |  |
| a  | OPERATION PANEL ASSY              | -                        | 2H9959A01   | 1            | 1   |  |  |
| 1  | RACK                              | PP                       | 1H0790-01   | 1            | 1   |  |  |
| 2  | INSTRUCTION MANUAL                |                          | L1J002111   | 1            | 1   |  |  |
| 3  | INSTALLATION MANUAL               |                          | L2J002111   | 1            | 1   |  |  |
| 4  | MAINTENANCE SHEET                 |                          | 258202L01   | 1            | 1   |  |  |
| 5  | OPERATION BOX (A-L)               | S.S                      | 3Y5053G01   | 1            | 1   |  |  |
| 6  | COVER - OPERATION BOX (A-L)       | S.S                      | 4Y6609G01   | 1            | 1   |  |  |
| 7  | EMERGENCY STOP BUTTON             | HN1E-BV402R              | 463704-01   | 1            | 1   |  |  |
| 8  | LABEL - EMERGENCY STOP            |                          | 474704L01   | 1            | 1   |  |  |
| 9  | CABLE - EMERGENCY STOP            |                          | 4Y7053A01   | 1            | 1   |  |  |
| 10   | SCREW                             | S.S                      | 4Y1319-01   | 4            | 4   |  |  |
| 11   | BOX - TABLE LIMIT SWITCH          | S.S                      | 3Y5062G01   | 1            | 1   |  |  |
| 12   | COVER - TABLE LIMIT SWITCH        | S.S                      | 3Y2551M01   | 1            | 1   |  |  |
| 13   | TRUSS HEAD MACHINE SCREW          | S.S                      | FST0408S0   | 2            | 2   |  |  |
| 14   | BRACKET (L) - MAGNET              | S.S                      | 4Y4387G01   | 1            | 1   |  |  |
| 15   | MAGNET                            |                          | 436974-01   | 1            | 1   |  |  |
| 16   | PAN HEAD MACHINE SCREW W/ WASHERS | S.S                      | FSK0308S0   | 6            | 6   |  |  |
| 17   | REED SWITCH                       | PS-0074-502B             | 453861-02   | 1            | 1   |  |  |
| 18   | CABLE (B) - TABLE LIMIT SWITCH    |                          | 4Y7054A01   | 1            | 1   |  |  |
| 19   | SPRING                            | S.S                      | 4Y6610M01   | 1            | 1   |  |  |
| 20   | BUSHING                           | SB-562-7                 | 420470-09   | 1            | 1   |  |  |
| 21   | GUARD (L)                         | S.S                      | 3Y5063M01   | 1            | 1   |  |  |
| 22   | GUARD (R)                         | S.S                      | 3Y5064M01   | 1            | 1   |  |  |
| 23   | CABLE COVER (A)                   | S.S                      | 3Y5065G01   | 1            | 1   |  |  |
| 24   | CABLE COVER (B)                   | S.S                      | 2H9960G01   | 1            | 1   |  |  |
| 25   | HOOK - DRAIN                      | S.S                      | 4Y6611M01   | 1            | 1   |  |  |
| 26   | HEX HEAD BOLT W/ WASHERS          | S.S                      | FBK0612S0   | 1            | 1   |  |  |
| 27   | HEX HEAD BOLT W/ WASHERS          | S.S                      | FBK0512S0   | 3            | 3   |  |  |
| 28   | HEX HEAD BOLT W/ WASHERS          | S.S                      | FNH105S0    | 3            | 3   |  |  |
| 29   | HEX HEAD BOLT W/ WASHERS          | S.S                      | FBK0408S0   | 11           | 11  |  |  |
|  |                                   |                          |             |              |     |  |  |
|  |                                   |                          |             |              |     |  |  |







## Free Manuals Download Website

<http://myh66.com>

<http://usermanuals.us>

<http://www.somanuals.com>

<http://www.4manuals.cc>

<http://www.manual-lib.com>

<http://www.404manual.com>

<http://www.luxmanual.com>

<http://aubethermostatmanual.com>

Golf course search by state

<http://golfingnear.com>

Email search by domain

<http://emailbydomain.com>

Auto manuals search

<http://auto.somanuals.com>

TV manuals search

<http://tv.somanuals.com>