
ISSUED: MAY 1, 2001

REVISED: DEC. 15, 2005



**HOSHIZAKI
COUNTER SHOWCASE**

**MODEL HNC-90AA-L/R
 HNC-120AA-L/R
 HNC-150AA-L/R
 HNC-180AA-L/R
 HNC-210AA-L/R**

INSTRUCTION MANUAL

FOREWORD

IMPORTANT

Only qualified service technicians should attempt to install, service or maintain this product. No such installation, service or maintenance should be undertaken until the technician has thoroughly read this Instruction Manual. Likewise, the owner/manager should not proceed to operate this product until the installer has instructed them on its proper operation.

HOSHIZAKI provides this manual primarily to assist qualified service technicians in the installation, maintenance and service of this product.

Should the reader have any questions or concerns which have not been satisfactorily addressed, please call or write to the HOSHIZAKI Technical Support Department for assistance.

HOSHIZAKI AMERICA, INC.
618 Highway 74 South
Peachtree City, GA 30269

Attn: HOSHIZAKI Technical Support Department

Phone: 1-800-233-1940 Technical Service
(770) 487-2331
Fax: (770) 487-3360

NOTE: To expedite assistance, all correspondence/communication MUST include the following information:

- Model Number
- Serial Number
- Complete and detailed explanation of the problem

IMPORTANT

1. This booklet is an integral and essential part of the product and should be handed over to the user. Read the warnings contained in this booklet carefully as they give important indications regarding the safety of the installation, use and maintenance. Please preserve this booklet for any further consultation that may be necessary.
2. This is a commercial showcase and should be destined only to the use for which it has been expressly conceived. Any other use should be considered improper and therefore dangerous. The manufacturer cannot be held responsible for eventual damage caused by improper, incorrect and unreasonable use.

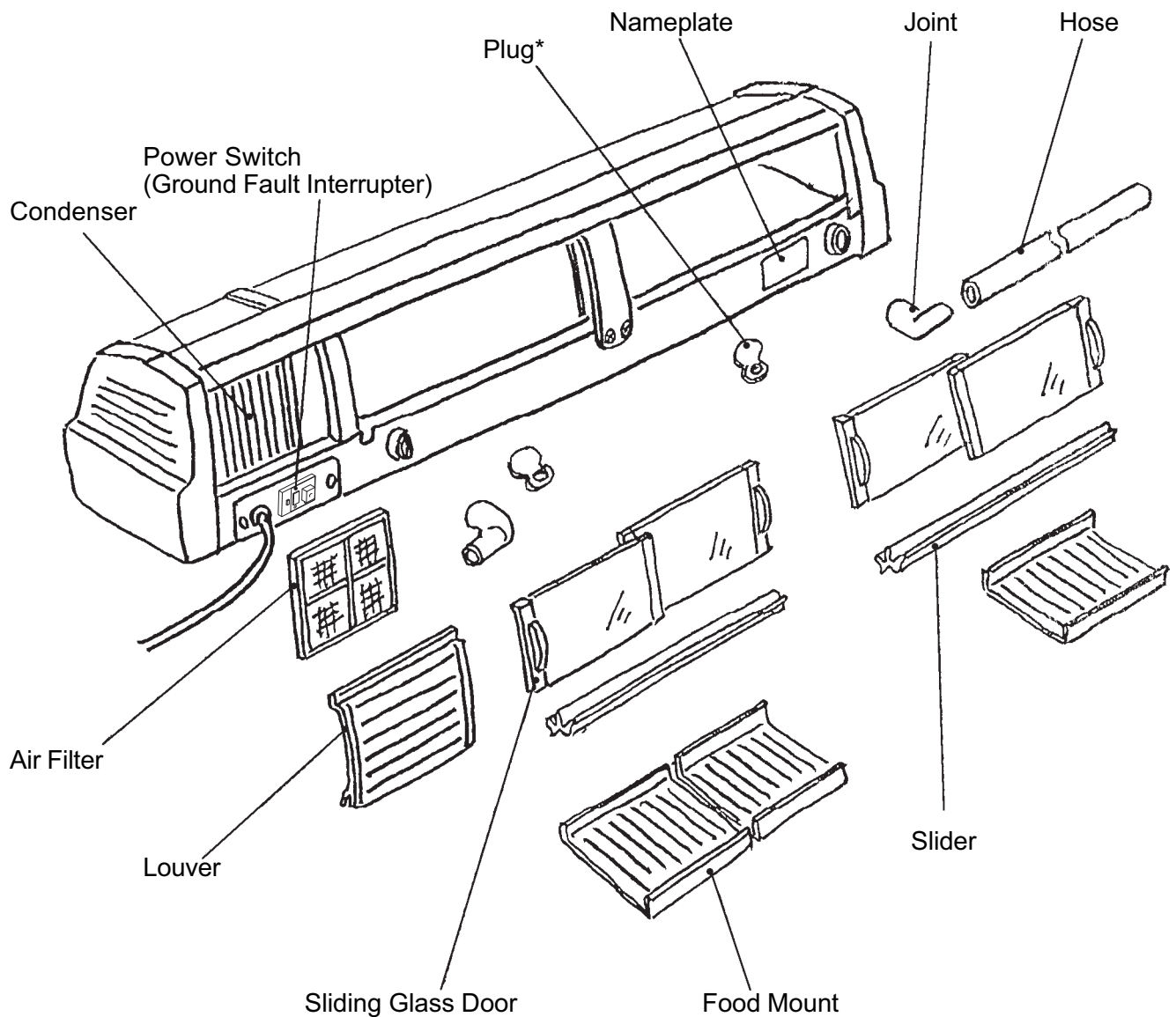
CONTENTS

PAGE

I. GENERAL INFORMATION -----	1
1. CONSTRUCTION -----	1
II. INSTALLATION AND OPERATING INSTRUCTIONS -----	2
1. CHECKS BEFORE INSTALLATION -----	2
2. LOCATION -----	2
3. SET UP -----	3
4. ELECTRICAL CONNECTIONS -----	4
5. DRAIN CONNECTIONS -----	4
6. FINAL CHECK LIST -----	5
7. START UP -----	6
III. MAINTENANCE AND CLEANING INSTRUCTIONS -----	8
1. INTERIOR/EXTERIOR -----	8
2. DRAIN PIPE CLEANING -----	8
3. AIR FILTER -----	9
4. CONDENSER -----	9
5. CHECKING GROUND FAULT INTERRUPTER -----	9

I. GENERAL INFORMATION

1. CONSTRUCTION



*Note: Always attach the Plug(s) to the drain holes located in the showcase.

Fig. 1

II. INSTALLATION AND OPERATING INSTRUCTIONS

1. CHECKS BEFORE INSTALLATION

- * Visually inspect the exterior of the shipping container, and any severe damage noted should be reported to the carrier.

WARNING

Remove shipping carton, evaporator spacer, tape(s) and packing. If packing material is left in the showcase, it will not work properly.

IMPORTANT

Remove shipping tape holding the Door.

- * Remove the package containing accessories.
- * See the Nameplate on the rear of the showcase, and check that your voltage supplied corresponds with the voltage specified on the Nameplate.

2. LOCATION

WARNING

This showcase is not intended for outdoor use. Normal operating ambient temperature should be within 50°F (10°C) to 80°F (27°C). Operation of the showcase, for extended periods, outside of this normal temperature range may affect cooling performance.

For best operating results:

- * The showcase should not be located next to ovens, grills or other high heat producing equipment.
- * The location should provide a firm foundation for the equipment where its entire bottom surface can be steadily positioned. Level the showcase from side to side and front to rear. Installation of the showcase only partly in contact with the foundation may result in deformation, damage or failure.



Fig. 2

If the foundation is not firm enough, it may warp and cause some space between its center and the showcase bottom. In this case, provide a support to keep the foundation level.

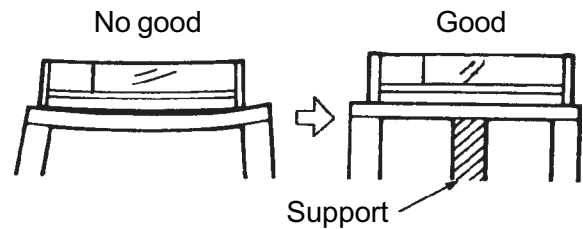


Fig. 3

* Avoid a site where dripping is not allowed.

* Do not expose the showcase to direct sunlight or higher temperatures to prevent damage to the plastic housing.

* Allow at least 6" (15cm) clearance between the Condenser air inlet/outlet and the wall or other equipment for proper air circulation. The rear of the showcase should have enough space for smooth operation of the Power Switch and for easy access to the Louver and Air Filter.

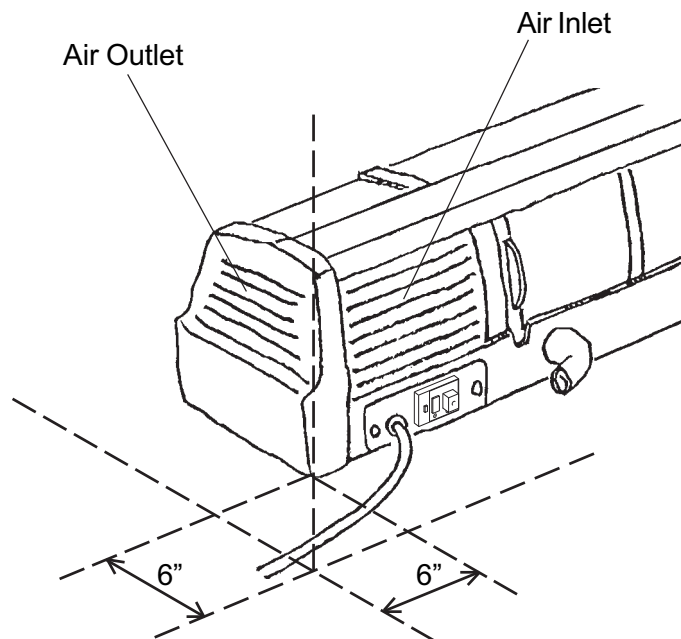


Fig. 4

3. SET UP

IMPORTANT

Carry the showcase by holding its bottom.

1) Unpack the showcase, and remove all shipping carton, evaporator spacer, tapes and packing BEFORE operating the unit. Be careful not to damage the exterior panels when handling the showcase.

- 2) Position the showcase in a selected site. Clean the interior with soap and water and rinse thoroughly.
- 3) Level the showcase in both the left-to-right and the front-to-rear directions.
- 4) The perimeter where the machine touches the counter should be sealed with silicone.

4. ELECTRICAL CONNECTIONS

* This showcase must be plugged into the separated power receptacle which has enough capacity. The maximum allowable voltage variation should not exceed ± 10 percent of the nameplate rating. See the Nameplate.

5. DRAIN CONNECTIONS

- * The Hose may be connected to either right or left joint, whichever is convenient.
- * Keep more than 2 vertical inch (5 vertical cm) air gap between the drain pipe end and the sink.

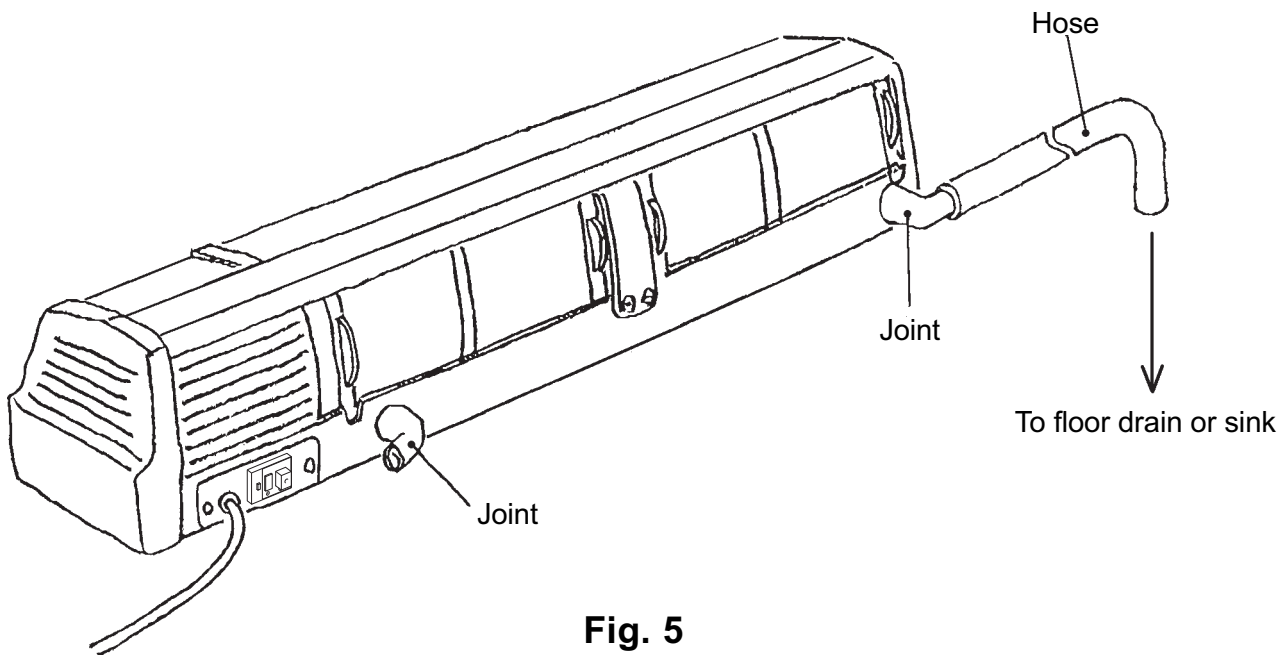


Fig. 5

6. FINAL CHECK LIST

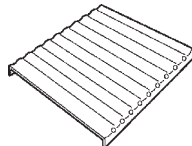
- 1) Is the showcase level?
- 2) Is the showcase in a site where the ambient temperature is within 50°F (10°C) to 80°F (27°C) all year around?
- 3) Have all shipping carton, evaporator spacer, tape(s) and packing been removed from the showcase?
- 4) Have all electrical and piping connections been made?
- 5) Has the power supply voltage been tested or checked against the nameplate rating?
- 6) Has the user been given the Instruction Manual and instructed on how to operate the showcase and the importance of periodic maintenance recommended?
- 7) Has the user been given the name and telephone number of the Authorized Service Agency?

7. START UP

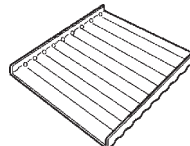
IMPORTANT

1. Be careful not to let water into the machine compartment and over the exterior. This might cause an electric shock hazard.
2. Do not plug in and unplug the showcase frequently. This may result in failure or shorter service life.
3. Be sure to prechill the showcase before putting foods in. Store only pre-refrigerated items in the showcase. It takes longer for foods to cool in the showcase than in a refrigerator. After service hours, move foods into a refrigerator.
4. Do not leave the Doors open or open them too frequently. The interior temperature may rise, resulting in food deterioration.
5. To unplug the showcase for defrosting, first remove the items inside to protect them from drops of defrost water.
6. It is normal to find condensation on the showcase in a humid or rainy weather. Simply wipe it off with a soft cloth from time to time.
7. Control the food temperature by placing the Food Mounts as follows:

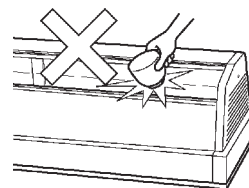
Normal condition
When food temp. is too low



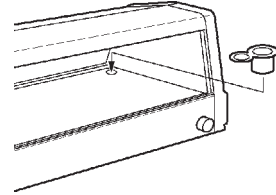
For more intensive cooling



8. The maximum safe height for displaying food products is 3.5" (9cm) above the interior bottom. Food products should not be placed above this height as they may not remain cold enough to avoid spoilage.
9. If the showcase is turned off, wait for at least 3 minutes before restarting the showcase. Otherwise the overload protector may operate and allow defrost water to drip onto the items inside. The overload protector will reset automatically in 30 minutes.
10. To prevent damage to the glass parts, do not place or hit any tableware, bottles or edged tools directly on the glass surfaces. Even a tiny flaw may grow into a crack (a few days) later.



11. To avoid entrance of vermin, the drain outlet(s) on the right and/or left under the Food Mounts must always be filled with the Plug(s) provided.



1) Clean inside the showcase.

2) Plug in the showcase, and turn on the Power Switch.

* When not in use, dry the showcase thoroughly and store it in a dry place.

III. MAINTENANCE AND CLEANING INSTRUCTIONS

IMPORTANT

1. Before carrying out any cleaning or maintenance operations, unplug the showcase.
2. Do not disassemble the showcase further than illustrated in Fig. 1.
3. Do not touch or wet the machine compartment parts. This could result in failure or breakdown.

1. INTERIOR/EXTERIOR

- * Clean the interior and Food Mounts every day for sanitary use.
- * Use a soft cloth soaked in warm water to clean off the exterior. Do not use a water jet to clean the exterior.
- * Use only a neutral cleaner. Other chemical agents might cause damage to the interior and exterior surfaces.

Note: To prevent damage to the part surfaces and the plating on the Evaporator, do not use a scourer on the interior/exterior surfaces.

2. DRAIN PIPE CLEANING

- 1) Either mix 0.26 gal. (1 liter) of water with 0.13 fl. oz. (3.7 ml) of 5.25% sodium hypochlorite solution in a suitable container, or the recommended Hoshizaki sanitizer as directed.
- 2) Disconnect the Hose from the Joint.
- 3) Turn up the end of the Joint(s).
- 4) Slowly pour the sanitizing solution into the drain water circuit from the Joint(s).
- 5) Wait for 5 minutes, and turn down the end of the Joint(s) to drain the solution.
- 6) Leave the drain water circuit to dry out.

3. AIR FILTER

A plastic mesh air filter removes dirt or dust from the air, and keeps the Condenser from getting clogged. As the filter gets clogged, the showcase's performance will be reduced. Check the filter at least twice a month. When clogged, use warm water and a neutral cleaner to wash the filter.

- 1) Hold the tabs located at the bottom of the Louver, and lift them up to release the Louver from the body.
- 2) Pull the Louver toward you.
- 3) Pull out the Louver downward.
- 4) Pick the frame of the Air Filter, and pull it out toward you.
- 5) Clean the Air Filter.
- 6) Refit the Air Filter and Louver in the reverse order of the removal procedure.

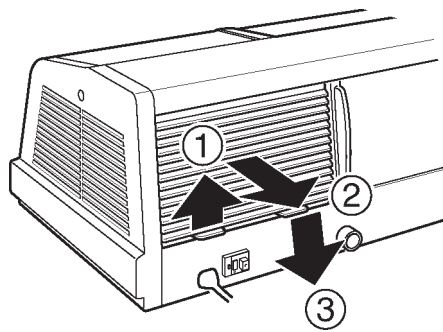


Fig. 6

4. CONDENSER

Check the Condenser once a year, and clean if required by using a brush or vacuum cleaner. More frequent cleaning may be required depending on the location of the showcase.

5. CHECKING GROUND FAULT INTERRUPTER

Push the test button at least once a month, and simulate a ground fault on the load circuit.

HOSHIZAKI

HOSHIZAKI AMERICA, INC.

618 HIGHWAY 74 SOUTH
PEACHTREE CITY, GA 30269
U.S.A.

PHONE: 770-487-2331

www.hoshizakiamerica.com

HOSHIZAKI ELECTRIC CO., LTD.

3-16 MINAMIYAKATA, SAKAE, TOYOAKE,
AICHI 470-1194 JAPAN

PHONE: 0562-97-2111

9174NA10B

Free Manuals Download Website

<http://myh66.com>

<http://usermanuals.us>

<http://www.somanuals.com>

<http://www.4manuals.cc>

<http://www.manual-lib.com>

<http://www.404manual.com>

<http://www.luxmanual.com>

<http://aubethermostatmanual.com>

Golf course search by state

<http://golfingnear.com>

Email search by domain

<http://emailbydomain.com>

Auto manuals search

<http://auto.somanuals.com>

TV manuals search

<http://tv.somanuals.com>