

Hoshizaki America, Inc.

Self-Contained Cubelet

Models

C-100BAE-AD

C-100BAE-ADDS



“A Superior Degree
of Reliability”

www.hoshizaki.com

PARTS LIST



Number: 71278
Issued: 3-25-2008
Revised: 11-19-2009

CONTENTS

Auxiliary Codes.....	3
Note About Ordering Parts	3
Material Abbreviations	4
A. Ice Flaker Assembly.....	5
B. Refrigeration Circuit	9
C. Water Circuit	11
D. Control Box Assembly.....	12
E. Door Assembly.....	13
C-100BAE-AD	13
C-100BAE-ADDS	14
F. Label Location	15
G. Ice Making Unit.....	16
H. Evaporator Assembly.....	17
J. Accessories & Packaging	18

Auxiliary Codes

C-100BAE-AD	T-0	January 2008
	U-0	January 2009
	U-1	August 2009
C-100BAE-ADDS	U-0	January 2009
	U-1	September 2009
	U-2	November 2009

Auxiliary Code Breakdown

The auxiliary code is the first two characters in the serial number. The first character indicates the year. Years progress or regress in alphabetical order. The series runs from "A" through "V" and the letters "I" and "O" are skipped. The second character indicates significant part changes within a year. Base is "0" and this number advances for each change. In cases where there is a letter in parentheses, this designates the month. This is the last character in the serial number. The series runs from "(A)" through "(M)" and the letter "(I)" is skipped. This designation is only included when identifying a parts change within an auxiliary code.

Note About Ordering Parts

Most assemblies cannot be ordered as complete units; parts in the assemblies generally must be ordered separately.

Material Abbreviations

ALUMINUM

AL = Aluminum

COPPER

CU = Copper

PLASTIC

ABS = Acrylonitrile -butadiene -styrene
AC = Polyacetal
EVA = Ethylene vinyl acetate
PA = Polyamide = Nylon
PC = Polycarbonate
PE = Polyethylene
PES = Polyester
PETP = Polyethylene terephthalate = Tetlon
PP = Polypropylene
PS = Polystyrene
PTFE = Polytetrafluoroethylene = Teflon
PUR = Polyurethane
PVC = Polyvinyl chloride

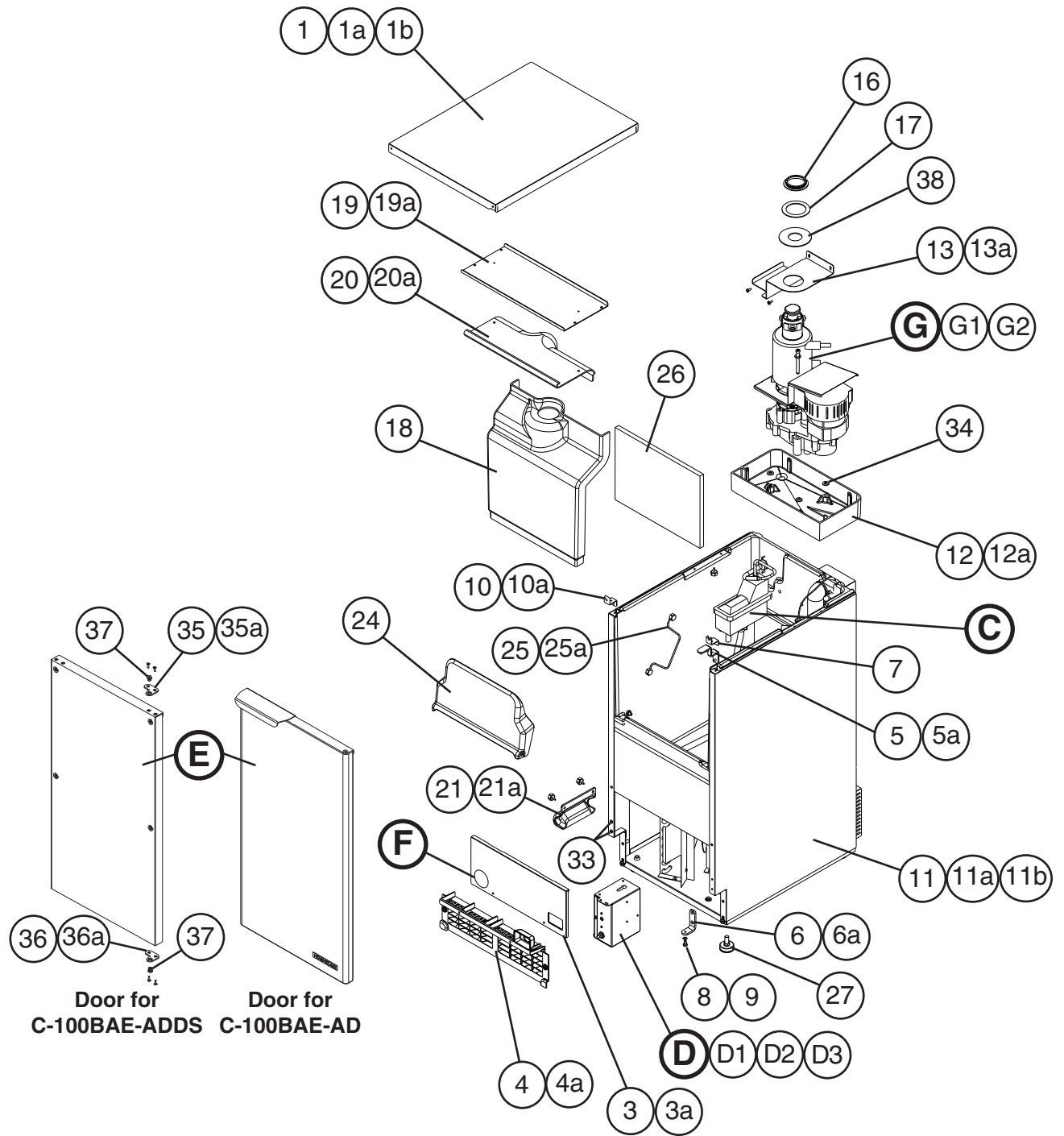
RUBBER

VN = Vinyl Nitrile
EPDM = EP rubber
NBR = Nitrile butadiene rubber
NR = Natural rubber
NP = Neoprene
SI.R = Silicone rubber
SY.R = Synthetic rubber
EPH = Epichlorohydrin

STEEL

GS = Galvanized steel
SS = Stainless steel
PS = Plated steel
PAS = Primed steel

A. Ice Flaker Assembly
1/2
C-100BAE-AD, C-100BAE-ADDS
 T-0 to U-2

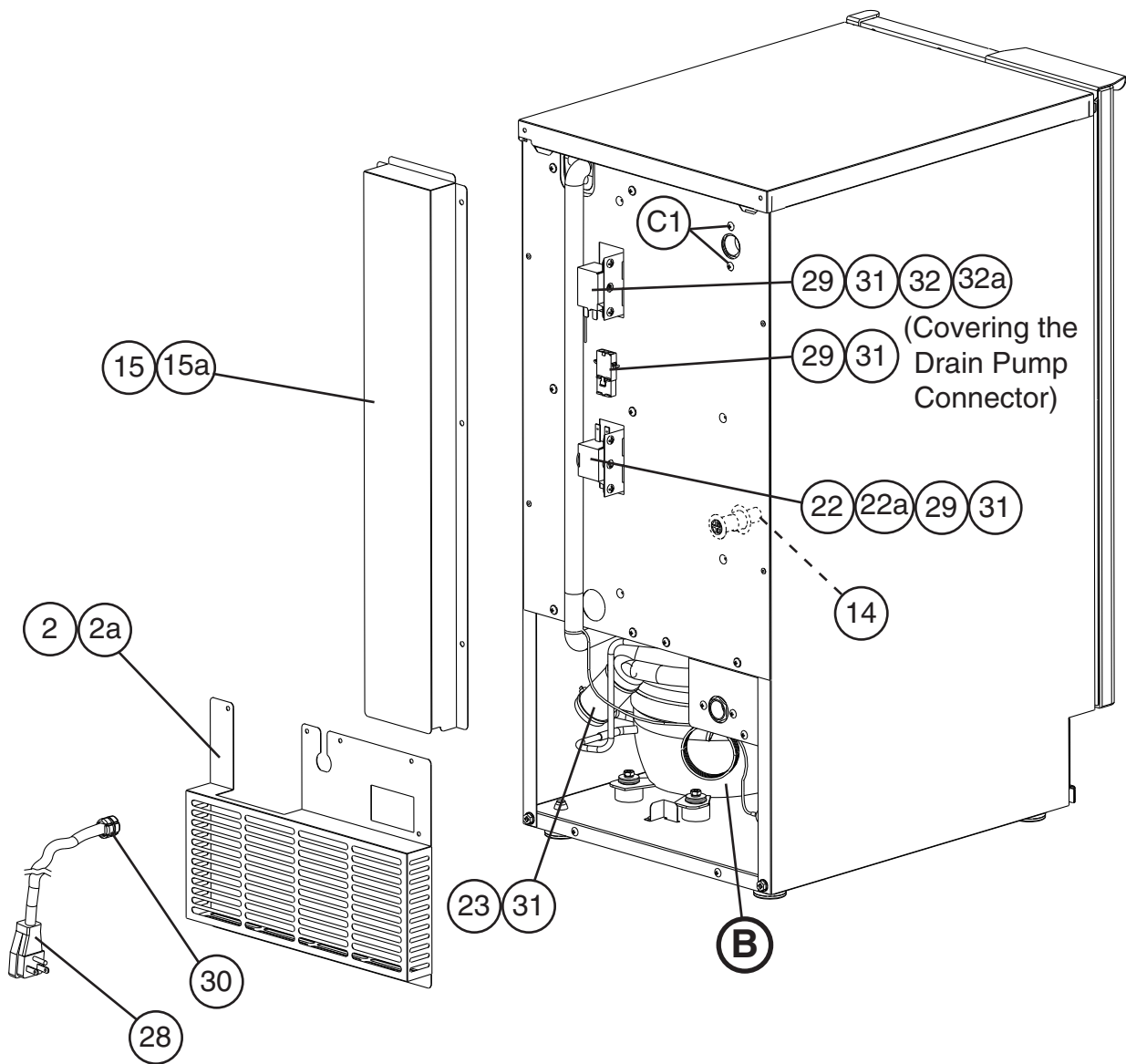


A. Ice Flaker Assembly

2/2

C-100BAE-AD, C-100BAE-ADDS

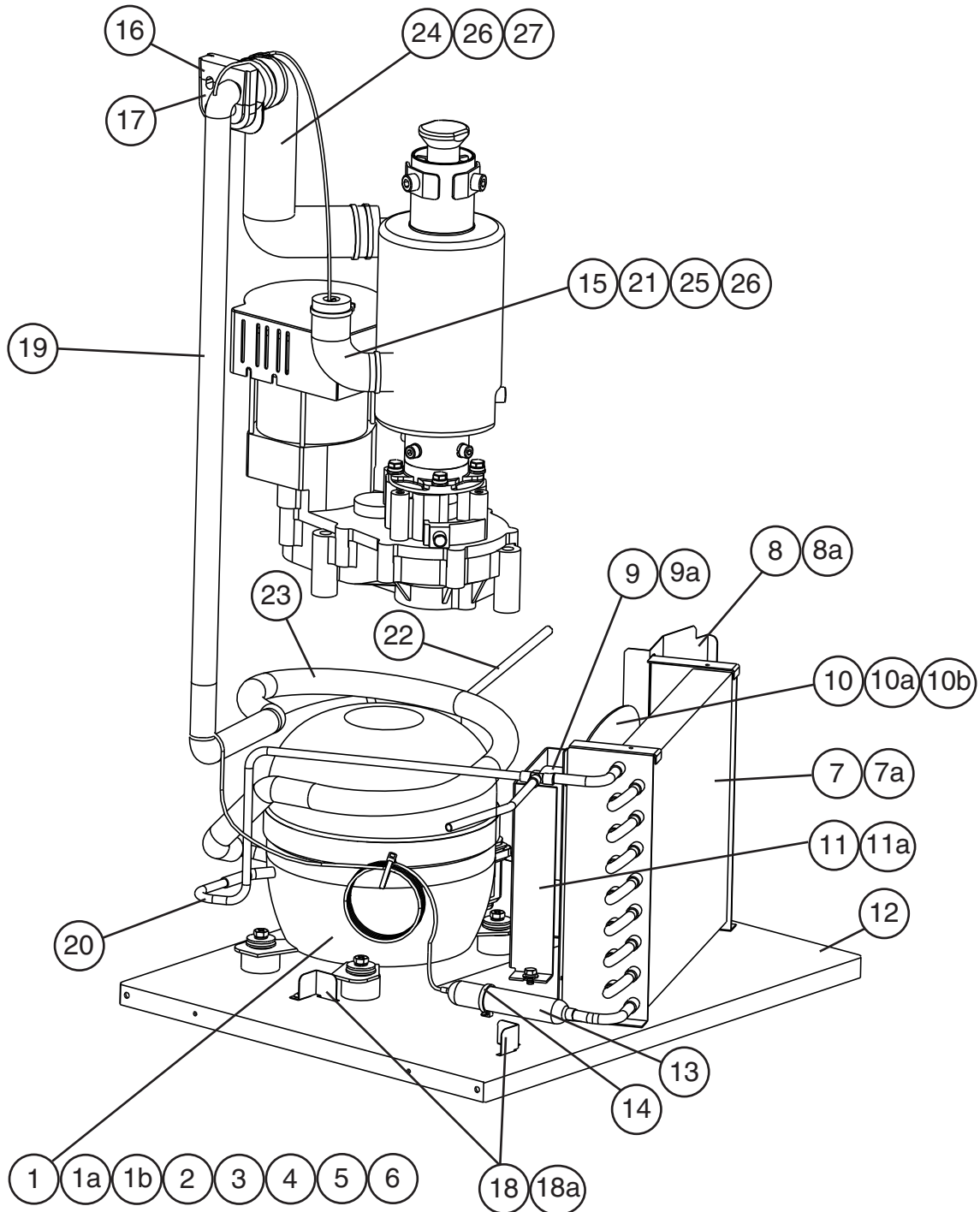
T-0 to U-2



Title: A. Ice Flaker Assembly Model: C-100BAE-AD, C-100BAE-ADDS													
Index No.	Description	Material or Model Number	Part Number	Required Number									
				T-0	U-0 (A-D)	U-0 (E-H)	U-1	U-2					
B	Refrigeration Circuit		1A1402A01	1	1	1	1	1					
C	Water Circuit		2A4357A01	1	1	1	1	1					
C1	T2 Screw	4x12, SS	7P32-0412	2	2	2	2	2					
D	Control Box Assembly		3A4820A01	1	1	1	1	1					
D1	Taper Collar		4H0171-01	1	1	1	1	1					
D2	Flat Head T2 Screw	4x12, SS	7P22-0412	1	1	1	1	1					
D3	T2 Screw	4x8	7P31-0408	2	2	2	2	2					
E	Door Assembly	C-100BAE-AD	2H5585A03	1	1	1	1	1					
		C-100BAE-ADDS	2A3683A02		1	1	1	1					
F	Label Location	C-100BAE-AD	3A4582A01	1	1	1	1	1					
		C-100BAE-ADDS	3A4582A02		1	1	1	1					
G	Ice Making Unit		3A4571A01	1	1	1	1	1					
G1	Hex Head Bolt	6x70, SS	7S12-0670	2	2	2	2	2					
G2	Washer	SS	4A4698-01		4	4	4	4					
1	Top Panel	C-100BAE-AD	2A3776G01	1	1	-							
			2A2849G01			1	1	1					
		C-100BAE-ADDS	2A3776G01		1	1	1	-					
			2A2849G01						1				
1a	Truss Head Screw	4x8, SS	7C32-0408	1	1	1	1	1					
1b	Truss Head Screw	4x12, SS	7C32-0412	1	1	1	1	1					
2	Rear Panel	GS	2A3305-01	1	1	1	1	1					
2a	T2 Screw	4x8	7P31-0408	6	6	6	6	6					
3	Front Panel	SS	3X6433-02	1	1	1	1	1					
3a	T2 Screw	4x12, SS	7P32-0412	2	2	2	2	2					
4	Louver		2H5560-01	1	1	1	1	1					
4a	Truss Head Screw	4x12, SS	7C32-0412	2	2	2	2	2					
5	Hinge (A)	C-100BAE-AD	4A3997G01	1	1	-							
			4Y0194G01			1	1	1					
	C-100BAE-ADDS	4A3997G02		1	1	1	-						
		Hinge (A)-Right	C-100BAE-ADDS	4A4885G01					1				
Hinge (A)-Left (option)		C-100BAE-ADDS	4A4895G01					1					
5a	Truss Head Screw	4x10, SS	7C32-0410	1	1	1	1	1					
6	Hinge(B)	C-100BAE-AD	4Y0192-01	1	1	1	1	1					
		C-100BAE-ADDS	4A3980-01		1	1	1	1					
6a	Flat Head Screw	4x12, SS	7C22-0412	2	2	2	2	2					
7	Bracket/Hinge (A)	SS	4A2996-01	1	1	1	1	1					
8	Hinge-Stop Pin		4A2180-01	1	1	1	1	1					
9	Tooth Washer	M6, SS	7R22-0600	1	1	1	1	1					
10	Brace-Top	SS	4Y0193-01	1	1	1	1	1					
10a	Truss Head Screw	4x10, SS	7C32-0410	1	1	1	1	1					
11	Body		1A1401G01	1	1	1	1	1					
11a	Hex T2 Screw	6x16	7B03-0616	4	4	4	4	4					
11b	Tooth Washer	M6, SS	7R22-0600	2	2	2	2	2					
12	Drain Pan		2A4352G01	1	1	1	1	1					
12a	Truss Head Screw	4x12, SS	7C32-0412	6	6	6	6	6					
13	Reservoir Bracket	SS	3A4570-01	1	1	1	1	1					
13a	T2 Screw	4x12, SS	7P32-0412	2	2	2	2	2					

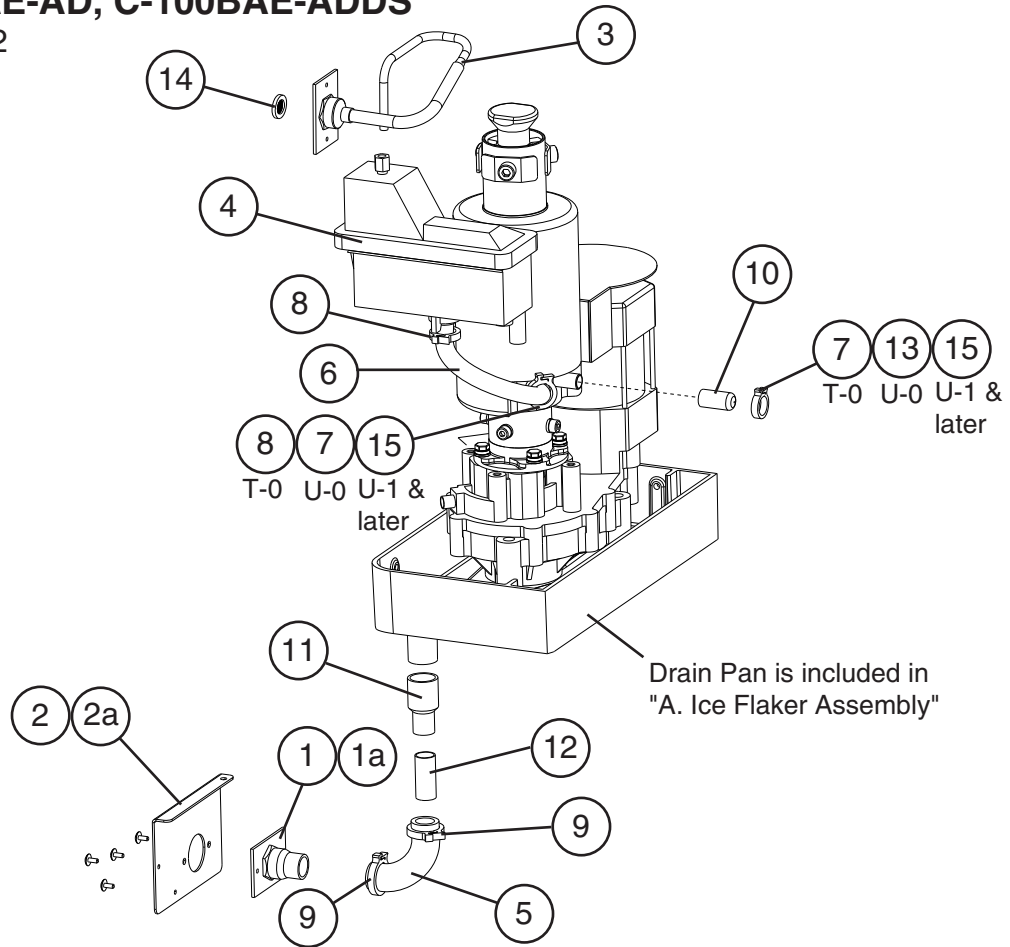
Title: A. Ice Flaker Assembly Model: C-100BAE-AD, C-100BAE-ADDS														
Index No.	Description	Material or Model Number	Part Number	Required Number										
				T-0	U-0 (A-D)	U-0 (E-H)	U-1	U-2						
14	Drain Pipe		4Y0211-02	1	1	1	1	1						
15	Cover-Pipe	GS	3X6432-01	1	1	1	1	1						
15a	T2 Screw	4x8	7P31-0408	4	4	4	4	4						
16	Packing		427151-01	1	1	1	1	1						
17	Ring	SS	4A4365-01	1	1	1	1	1						
18	Spout		2A4353-01	1	1	1	-							
	Spout Assembly (with item 26 pre-attached)		4A5038G01				1	1						
19	Shroud Bracket	SS	3A4585-01	1	1	1	1	1						
19a	T2 Screw	4x16, SS	7P32-0416	4	4	4	4	4						
20	Shroud		2A4354-01	1	1	1	1	1						
20a	Thumbscrew	BLACK	415949G10	2	2	2	2	2						
21	Holder-Thermostat		3X6381-01	1	1	1	1	1						
21a	Thumbscrew	BLACK	415949G10	2	2	2	2	2						
22	Thermostat (Suction)		4A2879-01	1	1	1	1	1						
22a	Truss Head Screw	4x8	7C31-0408	2	2	2	2	2						
23	Insulation Tube	L=75mm	7762-2040	1	1	1	1	1						
24	Slope		3X6383-01	1	1	1	1	1						
25	Scoop Holder		4Y0213-01	1	1	1	1	1						
25a	Thumbscrew	BLACK	415949G10	2	2	2	2	2						
26	Insulation Sheet		4A4366-01	1	1	1	-							
27	Leg		4A2966-01	4	4	4	4	4						
28	Power Supply Cord		4A2860-01	1	1	1	1	1						
29	Bag		4X1559-03	3	3	3	3	3						
30	Bushing	SR-7K-2	420472-02	1	1	1	1	1						
31	Tie		8911-0150	7	7	7	7	7						
32	Thermostat Assembly (Bin Control)		3A2561A01	1	1	1	1	1						
32a	Truss Head Screw	4x8	7C31-0408	2	2	2	2	2						
33	Truss Head Screw (filler)	4x10, SS	7C32-0410	2	2	2	2	2						
34	Washer	SS	4A4698-01		1	1	1	1						
35	Hinge (C) Assembly (UR, LL) (includes one of item 37)	C-100BAE-ADDS SS	4A3983G01		1	1	1	1						
35a	Flat Head Screw	C-100BAE-ADDS 4x12, SS	7C22-0412		2	2	2	2						
36	Hinge (C) Assembly (LR, UL) (includes one of item 37)	C-100BAE-ADDS SS	4A3983G02		1	1	1	1						
36a	Flat Head Screw	C-100BAE-ADDS 4x12, SS	7C22-0412		2	2	2	2						
37	Bushing	C-100BAE-ADDS	417486-01		2	2	2	2						
38	Gasket		4A1035-01				1	1						

B. Refrigeration Circuit
C-100BAE-AD, C-100BAE-ADDS
 T-0 to U-2



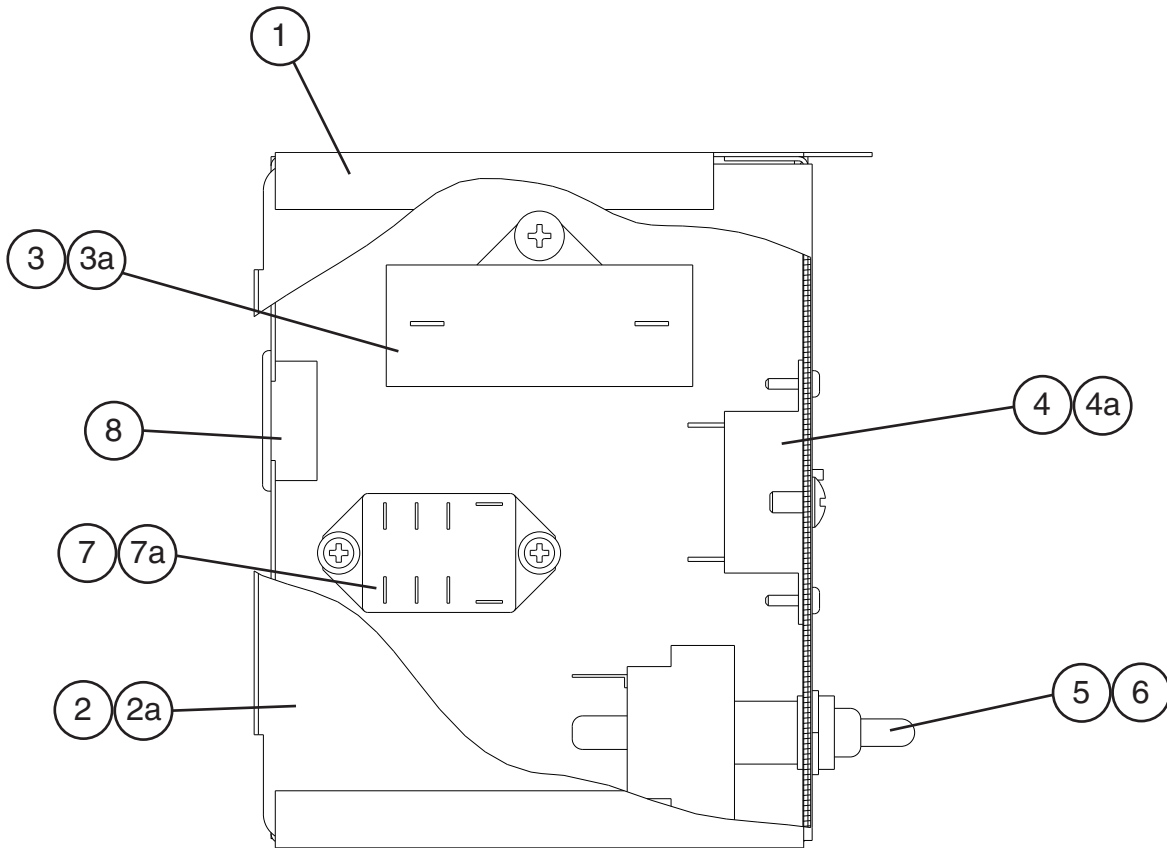
Title: B. Refrigeration Circuit Model: C-100BAE-AD, C-100BAE-ADDS												
Index No.	Description	Material or Model Number	Part Number	Required Number								
				T-0	T-0 (D)	U-0	U-1	U-2				
1	Compressor	QA51K13GAU6	455942-01	1	1	1	1					
1a	Rubber Grommet		438844-01	4	4	4	4					
1b	Bolt	M6	448834-01	4	4	4	4					
2	PTC Relay		456252-01	1	1	1	1					
3	Motor Protector		456254-01	1	1	1	1					
4	Protector Cover		456255-01	1	1	1	1					
5	Clamp		438846-01	1	1	1	1					
6	Clip		438847-01	1	1	1	1					
7	Condenser-Air Cooled		2H5586-01	1	1	1	1					
7a	T2 Screw	4x8	7P31-0408	2	2	2	2					
8	Plate-Condenser	GS	4Y0199-02	1	1	1	1					
8a	T2 Screw	4x8	7P31-0408	2	2	2	2					
9	Fan Motor	4W	440916-01	1	1	1	1					
9a	Screw		436863-01	3	3	3	3					
10	Fan Blade		3A4467-01	1	1	1	1					
10a	Washer		435983-01	1	1	1	1					
10b	Hex Nut		4A1345-01	1	1	1	1					
11	Bracket-Fan Motor	GS	4X6429-01	1	1	1	1					
11a	Hex Head Bolt w/Washer (LF)	5x10, SS	7B0230510	2	2	2	2					
12	Base	GS	2H5574G01	1	1	1	-					
			2A4849-01				1					
13	Drier		445655-04	1	1	1	1					
14	Tie		436156-01	1	1	1	1					
15	Elbow		417395-02	1	1	1	1					
16	Grommet Top		3A2508-01	1	1	1	1					
17	Grommet Bottom		3A2508-02	1	1	1	1					
18	Guide-Drain	GS	4Y0191-01	2	2	2	2					
18a	T2 Screw	4x8	7P31-0408	2	2	2	2					
19	Heat Exchanger	Includes Insulation	3A4579G01	1	-	1	1					
			3A4940G01		1							
20	Copper Tube (A)-High Side		3A4577G01	1	1	1	1					
21	Copper Tube-Pressure Switch		4A0554-02	1	1	1	1					
22	Copper Tube (E)		4Y0209-01	1	-							
			4A4547-01		1	1	1					
23	Copper Tube (F)	Includes Insulation	3X6439G01	1	1	1	1					
24	Insulation Tube	L=160mm	7762-2040	1	-							
		L=250mm	7762-1330		1	1	1					
25	Insulation Tube	L=100mm	7762-1330	1	1	1	-					
		L=200mm					1					
26	Tie		8911-0150	5	5	7	7					
27	Insulation Tube	L=305mm	7762-1330			1	-					
		L=350mm					1					

C. Water Circuit
C-100BAE-AD, C-100BAE-ADDS
 T-0 to U-2



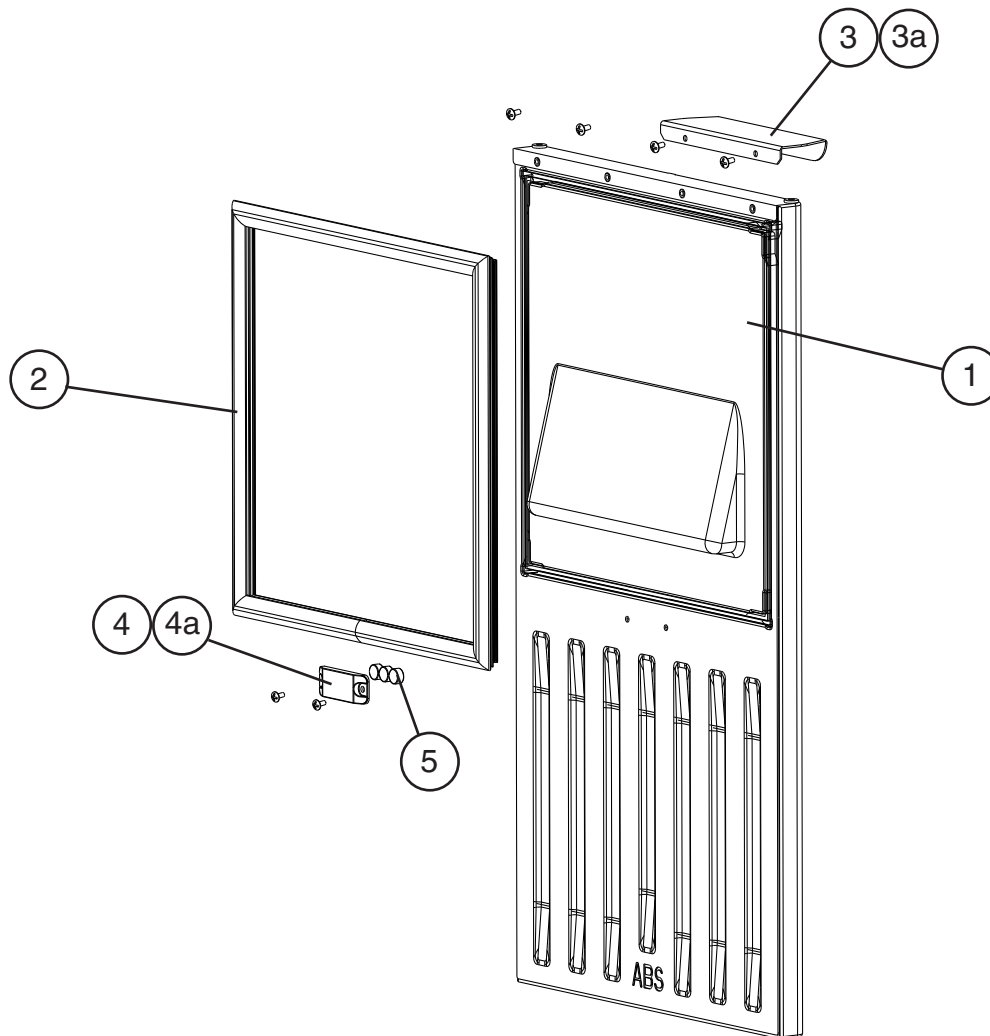
Title: C. Water Circuit Model: C-100BAE-AD, C-100BAE-ADDS				Required Number								
Index No.	Description	Material or Model Number	Part Number	T-0	U-0	U-1 U-2						
1	Fitting-Drain		4A3488G01	1	1	1						
1a	T2 Screw	4x8, SS	7P32-0408	2	2	2						
2	Bracket-Drain	GS	4A3487-01	1	1	1						
2a	T2 Screw	4x8, SS	7P32-0408	2	2	2						
3	Water Supply Pipe (Mounting hardware is included in "A. Ice Flaker Assembly")		3A4576G01	1	1	1						
4	Reservoir		4A4369-01	1	1	1						
5	Drain Hose		4A1165-08	1	1	1						
6	Silicone Hose	L=148	7730I3896	1	1	1						
7	Hose Clamp		4A2017-07	1	1	-						
8	Hose Clamp		4A2017-05	2	1	1						
9	Hose Clamp		4A2017-09	2	2	2						
10	Vinyl Cap		4A4370-01	1	1	1						
11	Drain Tube		4H2585-01	1	1	1						
12	Drain Pipe		4Y0211-02	1	1	1						
13	Hose Clamp		4A2017-08		1	-						
14	Strainer Washer		4A4738-01		1	1						
15	Cable Tie	CV-150	8911-0150			2						

D. Control Box Assembly
C-100BAE-AD, C-100BAE-ADDS
 T-0 to U-2



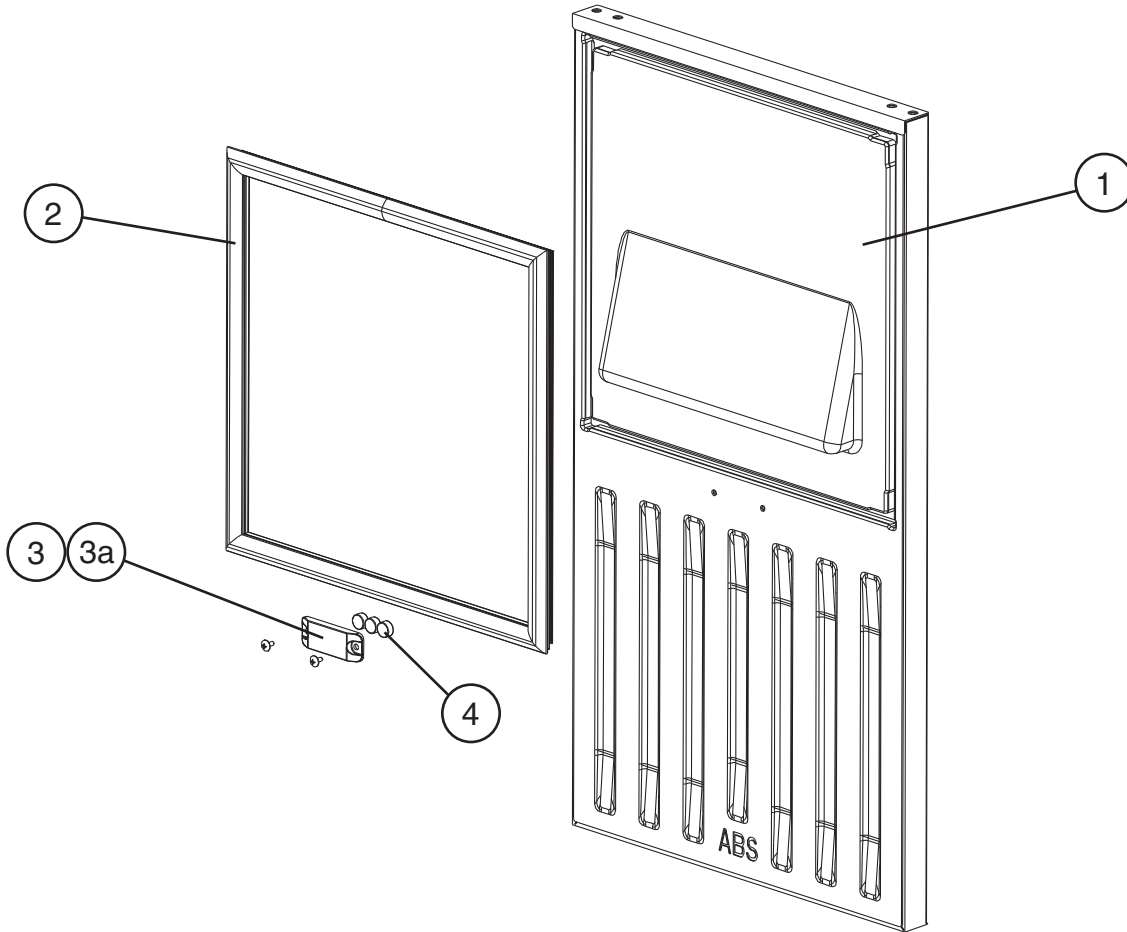
Title: D. Control Box Assembly Model: C-100BAE-AD, C-100BAE-ADDS					Required Number								
Index No.	Description	Material or Model Number	Part Number	T-0 to U-2									
1	Control Box		3A4819-01	1									
2	Control Box Cover		4A4498-01	1									
2a	Truss Head Screw	4x8	7C31-0408	1									
3	Capacitor (gear motor)	10MFD, 280VAC	416921-05	1									
3a	T2 Screw	4x10	7P31-0410	1									
4	Protector		427253-01	1									
4a	Pan Head Screw	3x8, SS	7C12-0308	2									
5	Toggle Switch	ST242D00	4A2332-01	1									
6	Cap		4A1937-01	1									
7	Relay (compressor)	LY1F-AC120V	418271-03	1									
7a	Tapping Screw	3x8	431415-01	2									
8	Bushing	OCB-1000	428394-05	1									

E. Door Assembly
C-100BAE-AD
 T-0 to U-1



Title: E. Door Assembly Model: C-100BAE-AD									
Index No.	Description	Material or Model Number	Part Number	Required Number					
				T-0 to U-1					
1	Door		2H5577G02	1					
2	Gasket		2A3017-01	1					
3	Handle	SS	4A2867-01	1					
3a	Truss Head Screw	4x10, SS	7C32-0410	4					
4	Holder-Magnet		4Y0203-01	1					
4a	Truss Head Screw	4x8, SS	7C32-0408	2					
5	Magnet		4A2861-01	3					

E. Door Assembly
C-100BAE-ADDS
 U-0 to U-2

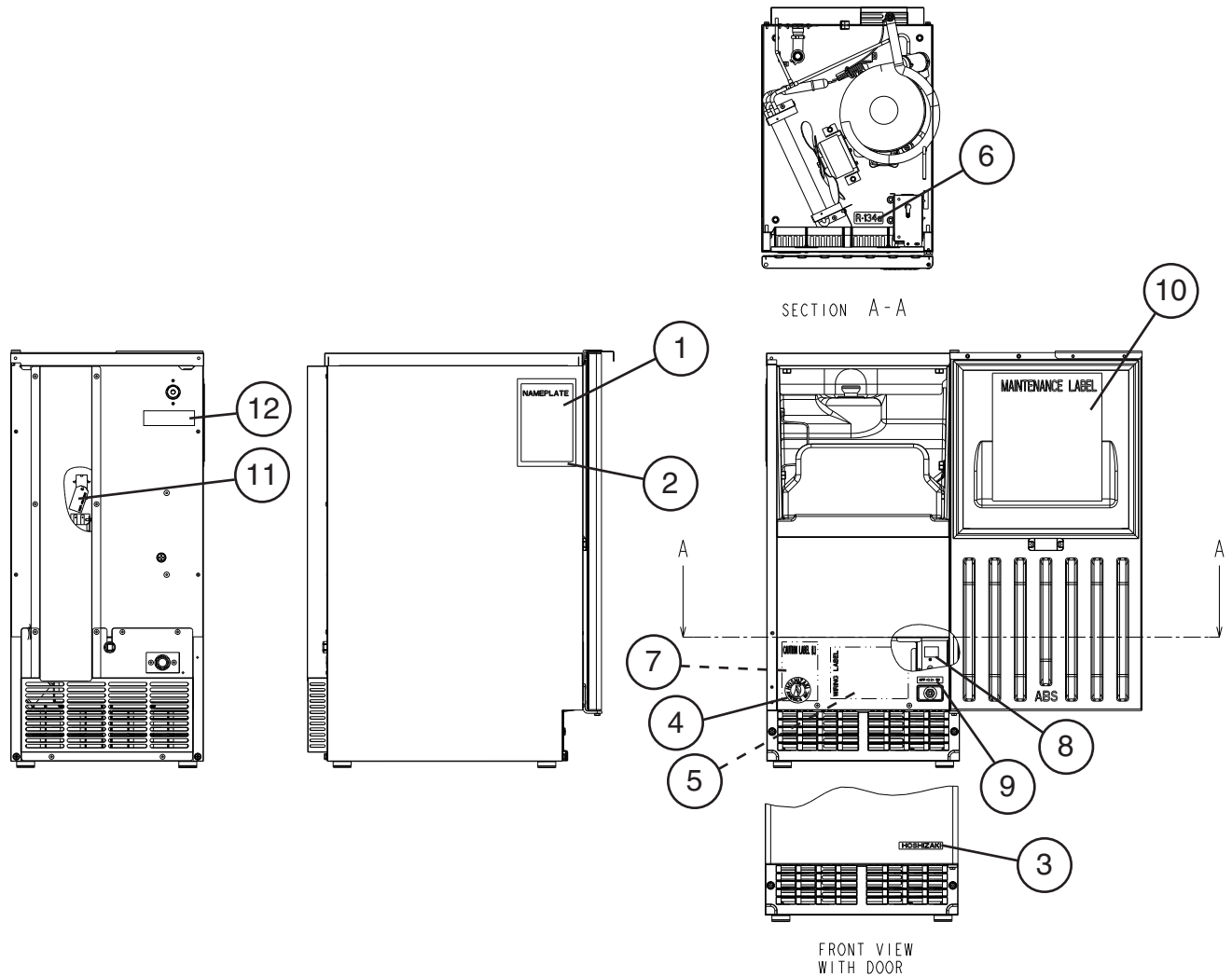


Title: E. Door Assembly Model: C-100BAE-ADDS													
Index No.	Description	Material or Model Number	Part Number	Required Number									
				U-0 to U-2									
1	Door		2A3578G02	1									
2	Gasket		2A3017-01	1									
3	Holder-Magnet	ABS	4Y0203-01	1									
3a	T2 Screw	4x8, SS	7P32-0408	2									
4	Magnet	RARE EARTH	4A2861-01	3									

F. Label Location

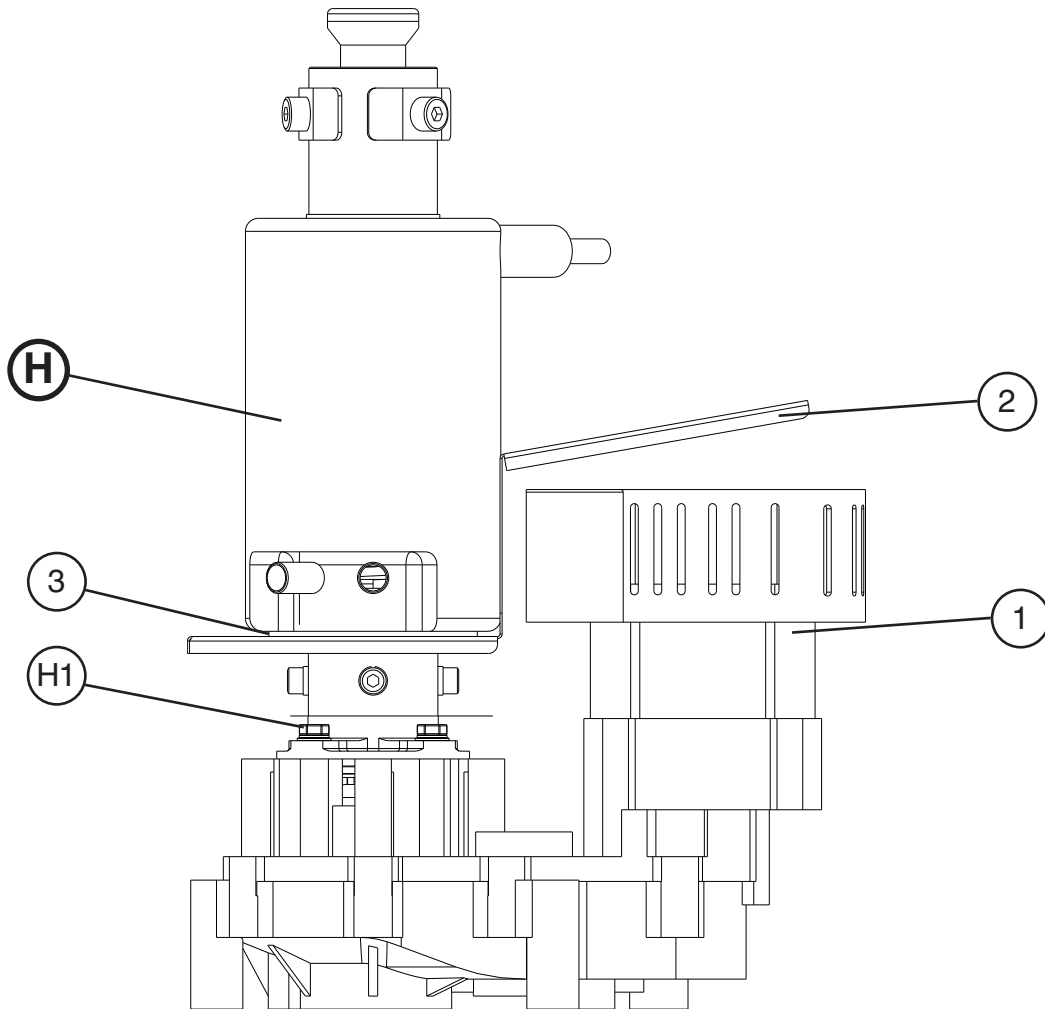
C-100BAE-AD, C-100BAE-ADDS

T-0 to U-2



Title: F. Label Location Model: C-100BAE-AD, C-100BAE-ADDS					Required Number								
Index No.	Description	Material or Model Number	Part Number	T-0 to U-2									
1	Nameplate	C-100BAE-AD	3A4632-01	1									
		C-100BAE-ADDS	3A4632-02	1									
2	Cover-Nameplate		4A3727-01	1									
3	Emblem	C-100BAE-AD	4A2112-01	1									
4	Label Penguin-HA-R		456246-01	1									
5	Wiring Label		3A4823-01	1									
6	Label-R134a		444463-01	1									
7	Caution Label (L)		441560-01	1									
8	Label-Reset		4A1319-01	1									
9	Control Label (B)		4A4374-01	1									
10	Maintenance Label		2A4360-01	1									
11	Drain Pump Tag		4A3994-01	1									
12	Instruction Label		444575-01	1									

G. Ice Making Unit
C-100BAE-AD, C-100BAE-ADDS
 T-0 to U-2

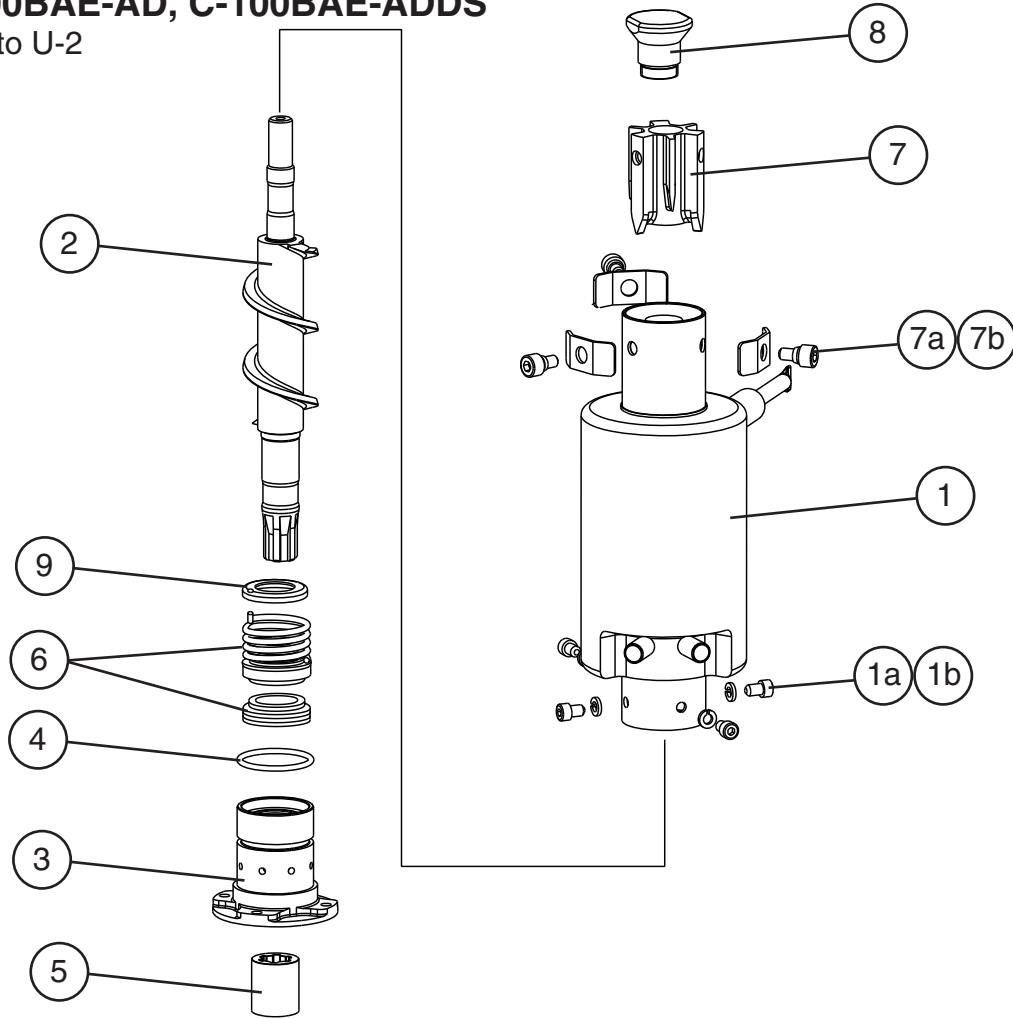


Title: G. Ice Making Unit		Model: C-100BAE-AD, C-100BAE-ADDS		Required Number							
Index No.	Description	Material or Model Number	Part Number	T-0	U-0	U-1	U-2				
H	Evaporator Assembly		2A4355A01	1	1	1					
H1	Hex Head Bolt	6x20, SS	458660-01	4	-						
			4A1989-01		4	4					
1	Gear Motor (Mounting hardware is included in "A. Ice Flaker Assembly")	HS-2152 includes items 2 & 3.	HS-2152	1	1	-					
		TC1185	2U0147-01				1				
2	Deflector	SS	3A5781-01				1				
3	Gasket		4A1035-01				1				

H. Evaporator Assembly

C-100BAE-AD, C-100BAE-ADDS

T-0 to U-2



Title: H. Evaporator Assembly		Model: C-100BAE-AD, C-100BAE-ADDS		Required Number										
Index No.	Description	Material or Model Number	Part Number	T-0	U-0	U-1								
				U-2										
1	Evaporator		364138G01	1	1	1								
1a	Split Lock Washer	M6, SS	7L22-0600	4	4	4								
1b	Socket Head Cap Screw	6x10, SS	7S12-0610	4	4	4								
2	Auger		364142G01	1	1	1								
3	Housing (Mounting hardware is included in "G. Ice Making Unit")		206013G03	1	1	1								
4	"O" Ring		7616-G040	1	1	-								
			4A4755-01			1								
5	Coupling-Spline		418316-01	1	1	1								
6	Mechanical Seal		432491-01	1	1	1								
7	Extruding Head		364141G01	1	1	1								
7a	Washer		453791-01	3	3	3								
7b	Socket Head Cap Screw	8x14, SS	7S12-0814	3	-									
	Socket Head Cap Screw w/Seal		472513G01		3	3								
8	Cutter		468824-01	1	1	1								
9	Ring (B)		432494-01	1	1	1								

J. Accessories & Packaging
C-100BAE-AD, C-100BAE-ADDS
T-0 to U-2

Title: J. Accessories & Packaging Model: C-100BAE-AD, C-100BAE-ADDS												
Index No.	Description	Material or Model Number	Part Number	Required Number								
				T-0 to U-2								
1	Instruction Manual		91A2UA10D	1								
2	Scoop		204336-01	1								
3	Canoe Clip	C-100BAE-ADDS	4A0629-02	2								
4	Sheet Metal Bracket	C-100BAE-ADDS	4A3998-01	1								
4a	Truss Head Screw	C-100BAE-ADDS 4x8, SS	7C32-0408	2								
4b	T2 Screw	C-100BAE-ADDS 4x8, SS	7P32-0408	3								
5	Threaded Wood Insert	C-100BAE-ADDS	4A4004-01	6								
6	Pan Head Screw	C-100BAE-ADDS 4x25, SS	7C12-0425	4								
-	Packaging		1A1778A02	1								

Free Manuals Download Website

<http://myh66.com>

<http://usermanuals.us>

<http://www.somanuals.com>

<http://www.4manuals.cc>

<http://www.manual-lib.com>

<http://www.404manual.com>

<http://www.luxmanual.com>

<http://aubethermostatmanual.com>

Golf course search by state

<http://golfingnear.com>

Email search by domain

<http://emailbydomain.com>

Auto manuals search

<http://auto.somanuals.com>

TV manuals search

<http://tv.somanuals.com>