

Hoshizaki America, Inc.

Modular Crescent Cuber

Models

KMD-450MAH

KMD-450MWH



"A Superior Degree
of Reliability"

www.hoshizaki.com

INSTRUCTION MANUAL



Issued: 1-19-2009

IMPORTANT

Only qualified service technicians should install, service, or maintain this icemaker. No installation, service, or maintenance should be undertaken until the technician has thoroughly read this Instruction Manual. Likewise, the owner/manager should not proceed to operate the icemaker until the installer has instructed them on its proper operation. Failure to install, operate, and maintain the equipment in accordance with this manual may adversely affect safety, performance, component life, and warranty coverage.

Hoshizaki provides this manual primarily to assist qualified service technicians in the installation, maintenance, and service of the icemaker.

Should the reader have any questions or concerns which have not been satisfactorily addressed, please call, write, or send an e-mail message to the Hoshizaki Technical Support Department for assistance.

HOSHIZAKI AMERICA, INC.
618 Highway 74 South
Peachtree City, GA 30269

Attn: Hoshizaki Technical Support Department

Phone: 1-800-233-1940 Technical Support
(770) 487-2331
Fax: 1-800-843-1056
(770) 487-3360
E-mail: techsupport@hoshizaki.com

Web Site: www.hoshizaki.com

NOTE: To expedite assistance, all correspondence/communication **MUST** include the following information:

- Model Number _____
- Serial Number _____
- Complete and detailed explanation of the problem.

IMPORTANT

This manual should be read carefully before the icemaker is installed and operated. Only qualified service technicians should install, service, and maintain the icemaker. Read the warnings contained in this booklet carefully as they give important information regarding safety. Please retain this booklet for any further reference that may be necessary.

CONTENTS

Important Safety Information	4
I. Specifications	5
A. Nameplate Rating	5
1. KMD-450MAH (self-contained air-cooled).....	5
2. KMD-450MWH (water-cooled)	6
B. Dimensions/Connections	7
1. KMD-450MAH	7
2. KMD-450MWH	8
II. Installation and Operating Instructions	9
A. Checks Before Installation	9
B. How to Remove Panels	9
C. Location	10
D. Setup	10
E. Bin Control Installation	11
F. Electrical Connection	12
G. Water Supply and Drain Connections	13
1. Icemaker.....	14
2. Water-Cooled Condenser (if applicable)	15
H. Final Checklist	17
I. Startup.....	18
III. Cleaning and Maintenance.....	19
A. Cleaning and Sanitizing Instructions.....	19
1. Cleaning Procedure.....	19
2. Sanitizing Procedure - Following Cleaning Procedure	21
B. Maintenance	22
C. Preparing the Icemaker for Long Storage	23

Important Safety Information

Throughout this manual, notices appear to bring your attention to situations which could result in death, serious injury, or damage to the unit.

⚠ WARNING Indicates a hazardous situation which could result in death or serious injury.

CAUTION Indicates a situation which could result in damage to the unit.

IMPORTANT Indicates important information about the use and care of the unit.

⚠ WARNING

This icemaker should be destined only to the use for which it has been expressly conceived. Any other use should be considered improper and therefore dangerous. The manufacturer cannot be held responsible for eventual damage caused by improper, incorrect, and unreasonable use.

To reduce the risk of death, electric shock, serious injury, or fire, follow basic precautions including the following:

- Electrical connection must be hard-wired and must meet national, state, and local electrical code requirements. Failure to meet these code requirements could result in death, electric shock, serious injury, fire, or extensive damage to equipment.
- This unit requires an independent power supply. See the nameplate for proper voltage and breaker/fuse size. Failure to use a proper breaker or fuse can result in a tripped breaker, blown fuses, or damage to existing wiring. This could lead to heat generation or fire.
- **THIS UNIT MUST BE GROUNDED.** Failure to properly ground this unit could result in death or serious injury.
- This unit should be disassembled or repaired only by qualified service personnel to reduce the risk of electric shock, injury, or fire.
- Do not make any alterations to the unit. Alterations could result in electric shock, injury, fire, or damage to the unit.

I. Specifications


A. Nameplate Rating


1. KMD-450MAH (self-contained air-cooled)


HOSHIZAKI ICE MAKER	
MODEL NUMBER	KMD-450MAH
SERIAL NUMBER	
AC SUPPLY VOLTAGE	115-120/60/1
COMPRESSOR	115-120V 8.6RLA 54.5LRA
PUMP	120V 0.5FLA 23W
FAN	120V 0.5A 63W
OTHER	115-120V 0.15A
MAXIMUM FUSE SIZE	15 AMPS
MAX. HACR BREAKER (USA ONLY)	15 AMPS
MAX. CIRC. BREAKER (CANADA ONLY)	15 AMPS
MINIMUM CIRCUIT AMPACITY	15 AMPS
DESIGN PRESSURE	HI-467PSI LO-230PSI
REFRIGERANT	404A 1 LB 5 OZ

**MOTOR-COMPRESSOR THERMALLY PROTECTED,
NOT INTENDED FOR OUTDOOR USE!**

Hoshizaki America, Inc.
Peachtree City, GA
www.hoshizaki.com

 **UL US LISTED**
ICE MAKER WITHOUT
STORAGE MEANS
946Z

 **NSF**
COMPONENT

 **ARI**
PERFORMANCE
CERTIFIED
ARI Standard 610
Automatic Commercial
Ice Maker
www.aridirectory.org

See the nameplate for electrical and refrigeration specifications. This nameplate is located on the rear panel.

Since this nameplate is located on the rear panel of the icemaker, it cannot be read when the back of the icemaker is against a wall or against another piece of kitchen equipment. Therefore, the necessary electrical and refrigeration information is also on the rating label, which can be easily seen by removing only the front panel of the icemaker.

We reserve the right to make changes in specifications and design without prior notice.

2. KMD-450MWH (water-cooled)

HOSHIZAKI ICE MAKER

MODEL NUMBER	KMD-450MWH
SERIAL NUMBER	
AC SUPPLY VOLTAGE	115-120/60/1
COMPRESSOR	115-120V 7.8RLA 54.5LRA
PUMP	120V 0.5FLA 23W
OTHER	115-120V 0.15A
MAXIMUM FUSE SIZE	15 AMPS
MAX. HACR BREAKER (USA ONLY)	15 AMPS
MAX. CIRC. BREAKER (CANADA ONLY)	15 AMPS
MINIMUM CIRCUIT AMPACITY	15 AMPS
DESIGN PRESSURE	HI-427PSI LO-230PSI
REFRIGERANT	404A 1 LB 1 OZ

**MOTOR-COMPRESSOR THERMALLY PROTECTED,
NOT INTENDED FOR OUTDOOR USE!**

Hoshizaki America, Inc.
Peachtree City, GA
www.hoshizaki.com



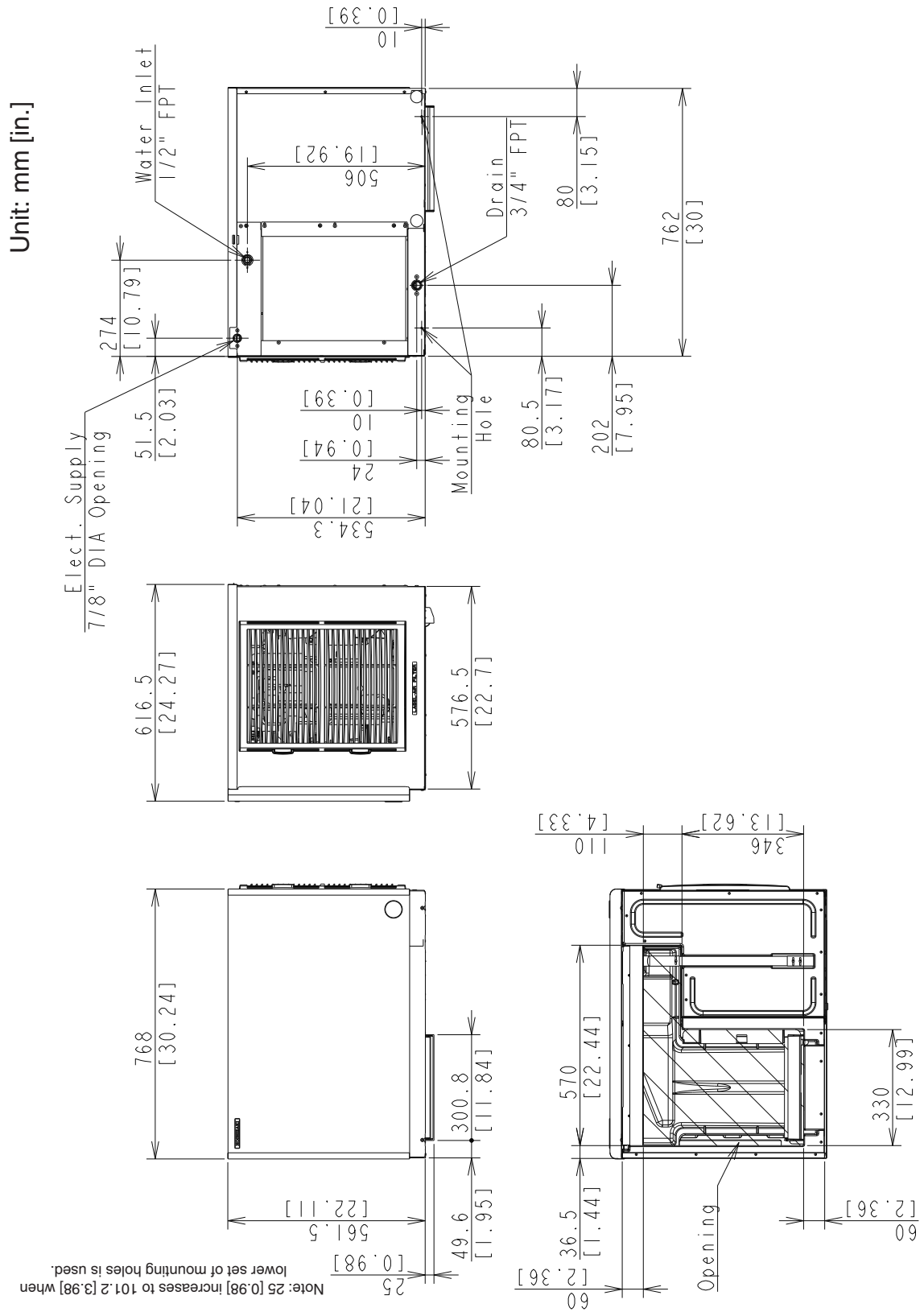
See the nameplate for electrical and refrigeration specifications. This nameplate is located on the rear panel.

Since this nameplate is located on the rear panel of the icemaker, it cannot be read when the back of the icemaker is against a wall or against another piece of kitchen equipment. Therefore, the necessary electrical and refrigeration information is also on the rating label, which can be easily seen by removing only the front panel of the icemaker.

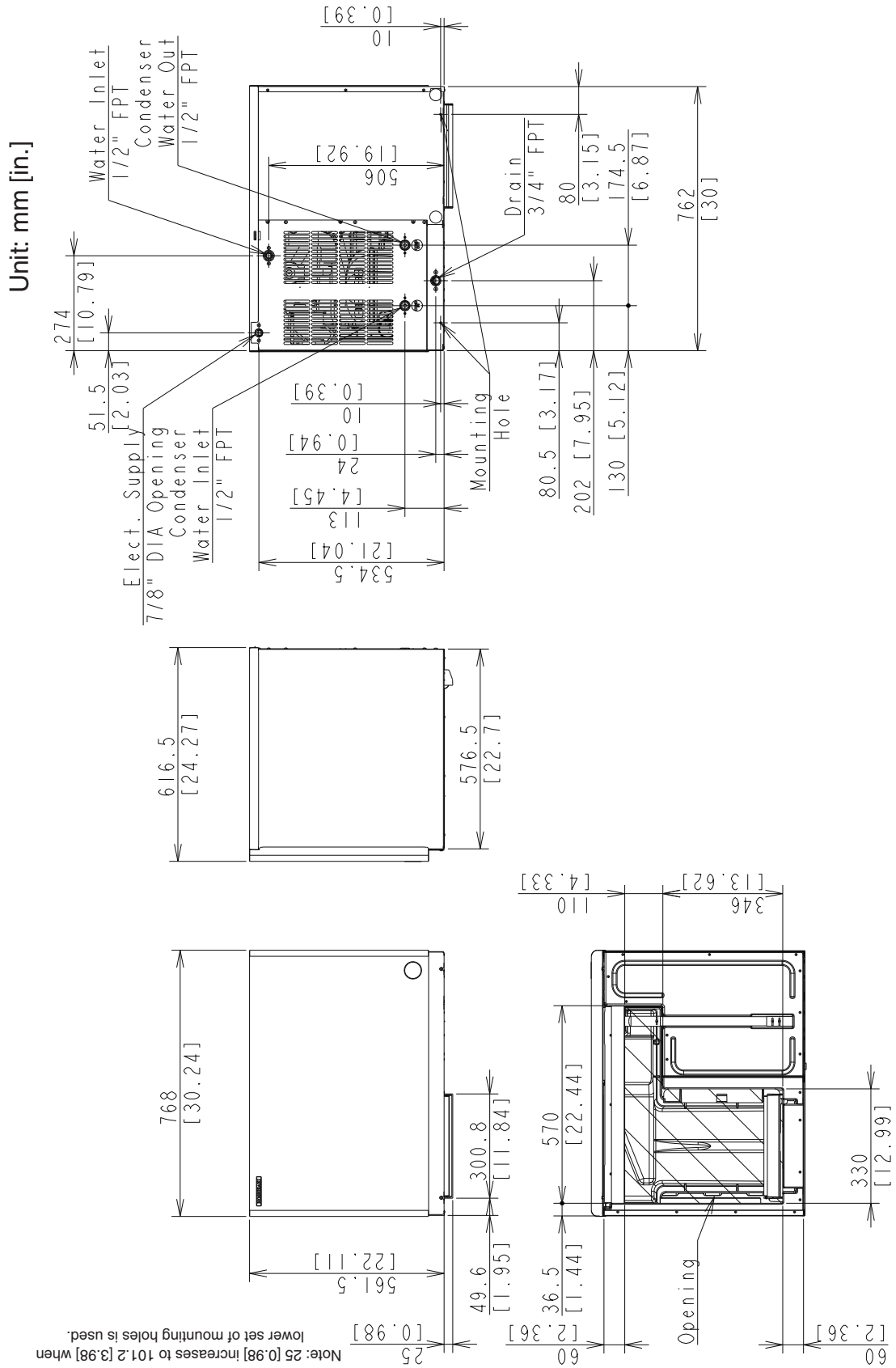
We reserve the right to make changes in specifications and design without prior notice.

B. Dimensions/Connections

1. KMD-450MAH



2. KMD-450MWH



II. Installation and Operating Instructions

⚠ WARNING

1. This icemaker must be installed in accordance with applicable national, state, and local regulations.
2. **CHOKING HAZARD:** Ensure all components, fasteners, and thumbscrews are securely in place after installation. Make sure that none have fallen into the dispenser unit/storage bin.

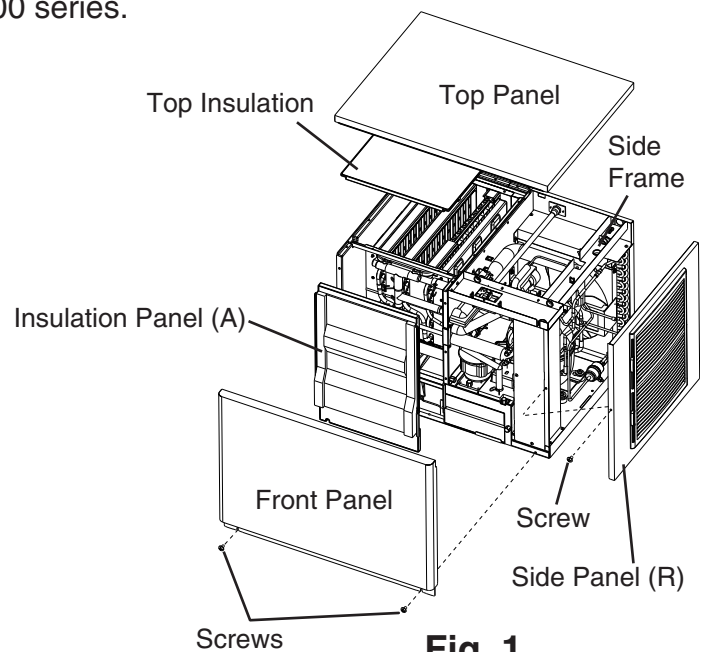
A. Checks Before Installation

- Visually inspect the exterior of the shipping container and immediately report any damage to the carrier. Upon opening the container, any concealed damage should also be immediately reported to the carrier.
- Remove the shipping carton, tape, and packing material. If any are left in the icemaker, it will not work properly.
- Remove the panels to prevent damage when installing the icemaker. See "II.B. How to Remove Panels."
- Remove the package containing the accessories.
- Remove the protective plastic film from the panels. If the icemaker is exposed to the sun or to heat, remove the film after the icemaker cools.
- Check that the refrigerant lines do not rub or touch lines or other surfaces, and that the fan blade (if applicable) turns freely.
- Check that the compressor is snug on all mounting pads.
- See the nameplate on the rear panel, and check that your voltage supplied corresponds with the voltage specified on the nameplate.
- This icemaker can be installed on a dispenser unit or storage bin 30" wide or wider. The following are recommended: Hoshizaki Dispenser, Model DB-200 or DM series; Hoshizaki Ice Storage Bin, Model B-500 series.

B. How to Remove Panels

See Fig. 1

- Front Panel: Remove the screws. Lift up and towards you.
- Top Panel: Lift up at front slightly, push rearward, and lift off.
- Side Panel (R): Remove the screw. Slide forward slightly and lift off.
- Insulation Panel (A): Lift up slightly, and pull towards you.
- Top Insulation: Lift off.



C. Location

CAUTION

1. This icemaker is not intended for outdoor use. Normal operating ambient temperature should be within 45°F to 100°F (7°C to 38°C); Normal operating water temperature should be within 45°F to 90°F (7°C to 32°C). Operation of the icemaker, for extended periods, outside of these normal temperature ranges may affect icemaker performance.
2. This icemaker will not work at sub-freezing temperatures. To prevent damage to the water supply line, drain the icemaker if the air temperature is going to go below 32°F (0°C). See "III.C. Preparing the Icemaker for Long Storage."

For best operating results:

- The icemaker should not be located next to ovens, grills, or other high heat producing equipment.
- The location should provide a firm and level foundation for the equipment.
- Allow 6" (15 cm) clearance at rear, left side, and top and 12" (30 cm) clearance at right side for proper air circulation and ease of maintenance and/or service should they be required.

D. Setup

CAUTION

Do not use the side frame to lift the icemaker. See Fig.1. Lift the icemaker from the base.

- 1) If mounting the unit on top of a dispenser, follow the dispenser's setup procedure. If mounting the unit on top of a storage bin, unpack the storage bin, and attach the 4 adjustable legs provided (bin accessory) to the bottom of the storage bin.
- 2) Position the dispenser unit/storage bin in the selected permanent location.
- 3) Place the icemaker on top of the dispenser unit/storage bin.
- 4) Secure the icemaker to the dispenser unit/storage bin using the 2 mounting brackets and the bolts provided. See Fig. 2.
- 5) Level the icemaker and dispenser unit/storage bin in both the left-to-right and front-to-rear directions. If using a storage bin, adjust the storage bin legs to make the icemaker level.

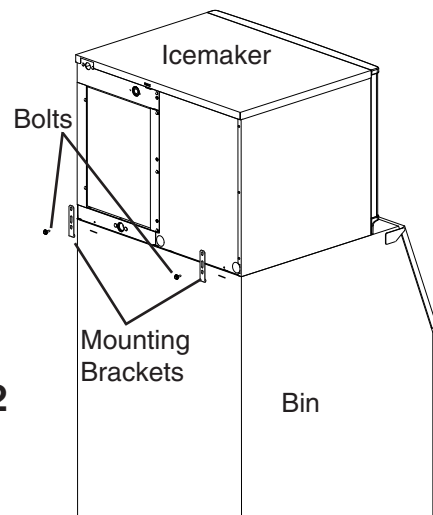


Fig. 2

E. Bin Control Installation

- 1) Remove the 2 thumbscrews securing insulation panel (B), then remove insulation panel (B). See Fig. 3.
- 2) Disconnect the discharge hose, the drain valve drain hose, and the overflow drain hose.
- 3) Disconnect the pump motor connector and the float switch connector from the side of the control box.
- 4) Remove the tape securing the bin control.
- 5) Remove the 2 thumbscrews securing the pump motor and float switch assembly. See Fig. 4.
- 6) **Being careful not to pull the bin control lead**, lift the bin control up out of the water tank. Being careful not to snag the bin control or bin control lead, slide the water tank, cube guide, and pump motor and float switch assembly out of the icemaker.

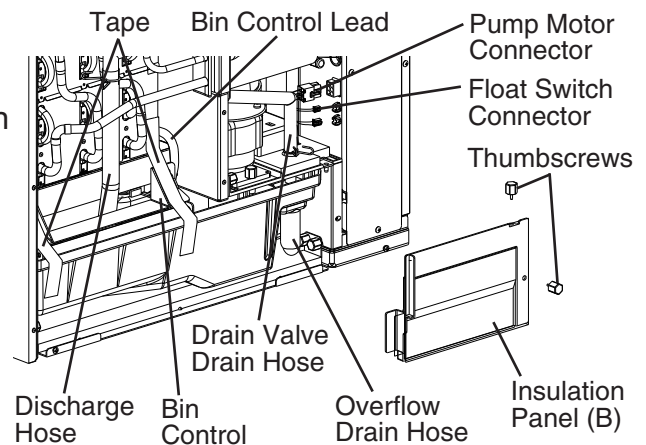


Fig. 3

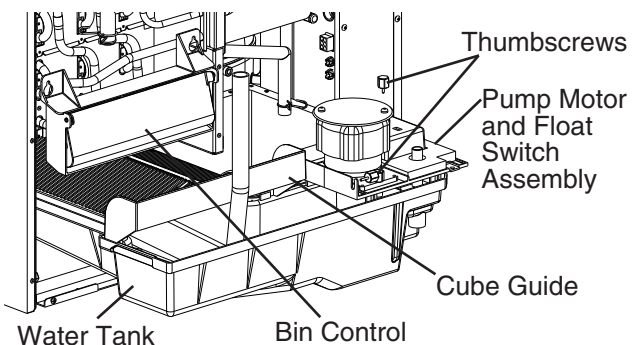


Fig. 4

- 7) Secure the bin control to the rear interior wall using the 2 thumbscrews on the rear interior wall and either the upper or lower set of mounting holes. For dispenser unit applications, the lower set of holes is recommended. When installed on a standard Hoshizaki storage bin, either set of holes is acceptable. Route the bin control lead vinyl hose through the grommet as illustrated. Do not leave any slack in the ice drop zone. See Fig. 5.
- 8) Replace the water tank, cube guide, and pump motor and float switch assembly in their correct positions.
- 9) Secure the pump motor and float switch assembly with the 2 thumbscrews.
- 10) Reconnect the hoses.

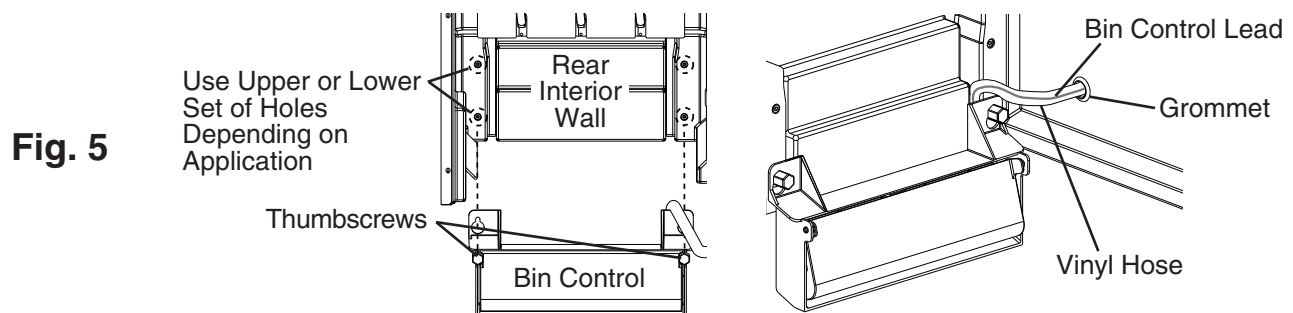


Fig. 5

- 11) Reconnect the pump motor connector and the float switch connector.
- 12) Replace insulation panel (B) in its correct position and secure with the 2 thumbscrews.
- 13) Replace insulation panel (A), the top insulation, and the exterior panels in their correct positions.

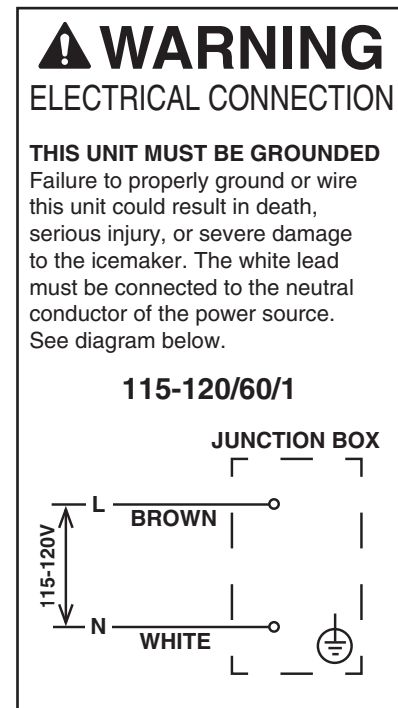
F. Electrical Connection

⚠ WARNING

1. Electrical connection must be hard-wired and must meet national, state, and local electrical code requirements. Failure to meet these code requirements could result in death, electric shock, serious injury, fire, or extensive damage to equipment.
2. This unit requires an independent power supply. See the nameplate for proper voltage and breaker/fuse size. Failure to use a proper breaker or fuse can result in a tripped breaker, blown fuses, or damage to existing wiring. This could lead to heat generation or fire.
3. **THIS UNIT MUST BE GROUNDED.** Failure to properly ground this unit could result in death or serious injury.
4. Electrical connection must be made in accordance with the instructions on the "WARNING" tag, provided with the pig tail leads in the junction box. See Fig. 6.

- Usually an electrical permit and services of a licensed electrician are required.
- The maximum allowable voltage variation is ± 10 percent of the nameplate rating.
- The white lead must be connected to the neutral conductor of the power source.
CAUTION! Miswiring may result in severe damage to the icemaker. See Fig. 6.
- The opening for the power supply connection is 7/8" DIA to fit a 1/2" trade size conduit.

Fig. 6



G. Water Supply and Drain Connections

See Fig. 7, 8, or 9

WARNING

1. Water supply and drain connections must be installed in accordance with applicable national, state, and local regulations.
2. Normal operating water temperature should be within 45°F to 90°F (7°C to 32°C). Operation of the icemaker, for extended periods, outside of this normal temperature range may affect icemaker performance.
3. To prevent damage to equipment, do not operate the icemaker when the water supply is off, or if the pressure is below 10 PSIG. Do not run the icemaker until the proper water pressure is reached.

- A plumbing permit and services of a licensed plumber may be required in some areas.
- External filters, strainers, or softeners may be required depending on water quality. Contact your local Hoshizaki distributor for recommendations.
- Water supply pressure should be a minimum of 10 PSIG and a maximum of 113 PSIG. If the pressure exceeds 113 PSIG, the use of a pressure reducing valve is required.
- The icemaker drain line, dispenser unit/storage bin drain line, and water-cooled condenser drain line (if applicable) must be run separately.
- Drain lines must have 1/4" fall per foot (2 cm per 1 m) on horizontal runs to get a good flow. A vented tee connection is also required for proper flow.
- Drain lines should not be piped directly to the sewer system. An air gap of a minimum of 2 vertical inches (5 cm) should be between the end of the drain pipes from the icemaker, dispenser unit/storage bin, and water-cooled condenser (if applicable) and the floor drain.

1. Icemaker

- Icemaker water supply inlet is 1/2" female pipe thread (FPT). A minimum of 3/8" OD copper tubing is recommended for the icemaker water supply line.
- An icemaker water supply line shut-off valve and drain valve should be installed.
- Icemaker drain outlet is 3/4" FPT. A minimum of 3/4" OD hard pipe is recommended for the icemaker drain line.

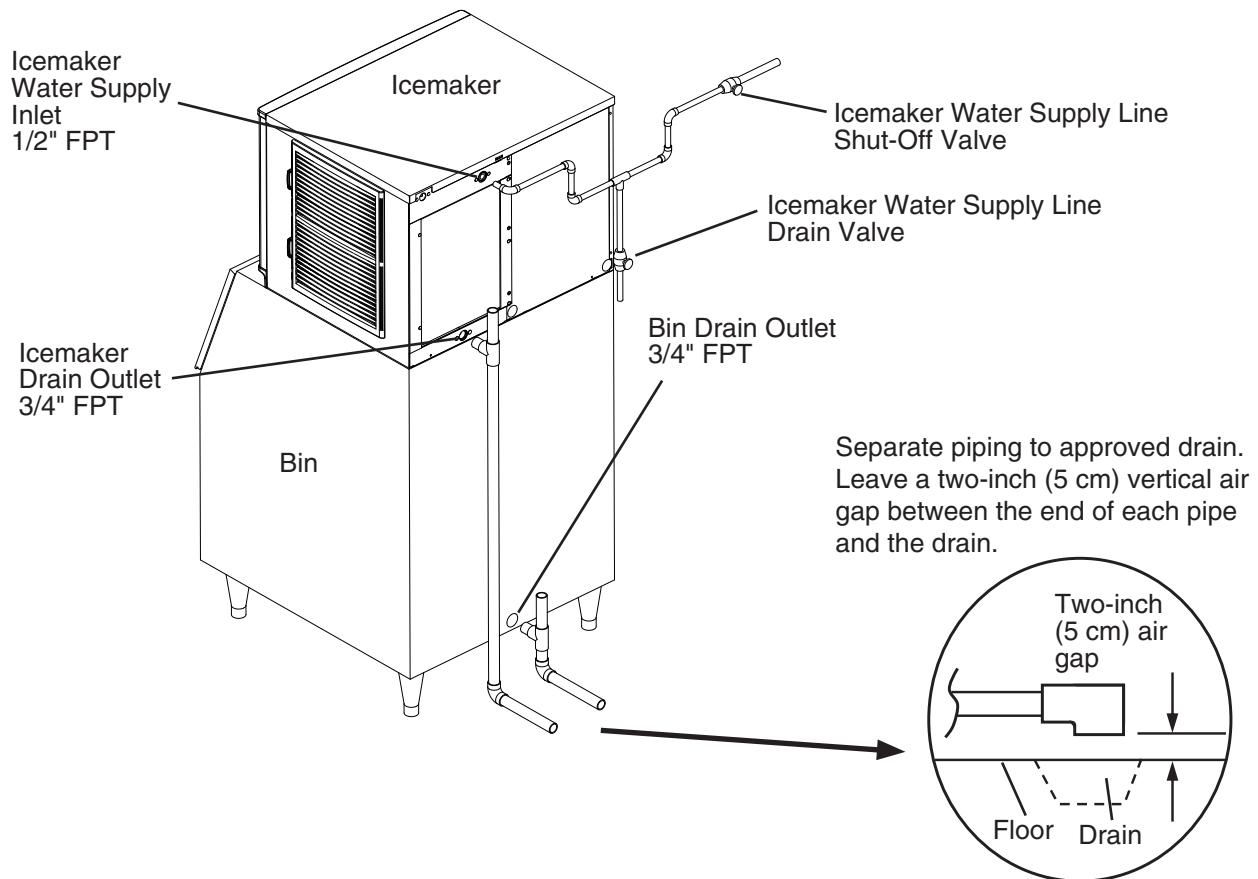


Fig. 7

KMD-450MAH

2. Water-Cooled Condenser (if applicable)

a) Connection to an Open Drain System

- Condenser water supply inlet is 1/2" female pipe thread (FPT). A minimum of 3/8" OD copper tubing is recommended for the condenser water supply line.
- A condenser water supply line shut-off valve and drain valve should be installed.
- Condenser drain outlet is 1/2" FPT. A minimum of 3/8" OD hard pipe is recommended for the condenser drain line.
- In some areas, a back flow preventer may be required in the cooling water circuit.

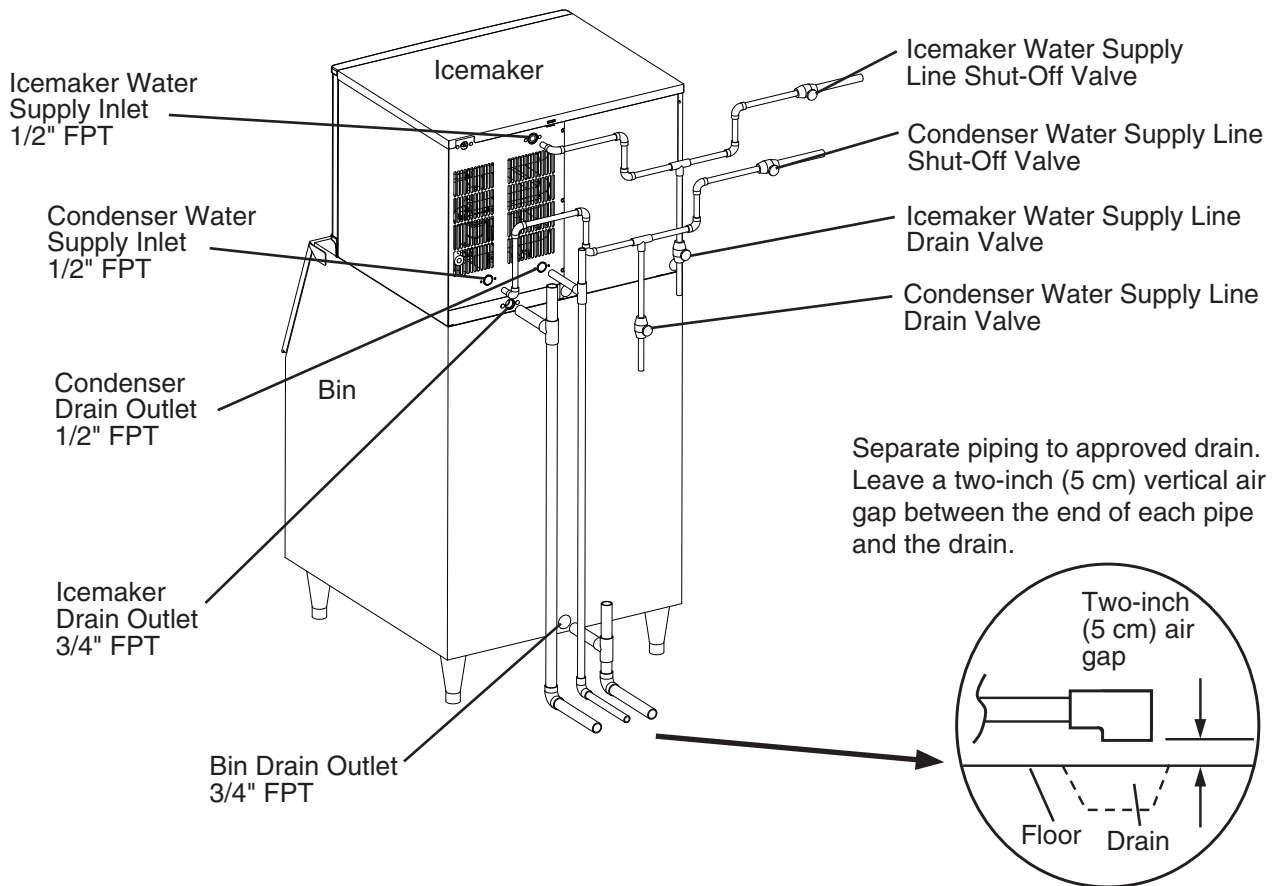


Fig. 8

**KMD-450MWH
Connection to an Open Drain System**

b) Connection to a Closed Loop System

- Condenser water supply inlet is 1/2" female pipe thread (FPT). A minimum of 3/8" OD copper tubing is recommended for the condenser water supply line.
- Condenser return outlet is 1/2" FPT. A minimum of 3/8" OD hard pipe is recommended for the condenser return line.
- Shut-off valves and drain valves should be installed at both the condenser water supply inlet and condenser return outlet.
- The water supply to the condenser should not drop below 4 GPM.
- The pressure differential between the condenser water supply inlet and condenser return outlet must be no less than 10 PSIG.
- When using a glycol blend, the solution mixture should be less than 30% glycol.
- In order to maintain the proper high side pressure, the condenser water supply inlet temperature should not drop below 45°F (7°C) and the condenser return outlet temperature must be in the 104°F to 115°F (40°C to 46°C) range. Once the icemaker installation is complete, confirm the condenser return outlet temperature 5 minutes after a freeze cycle starts. If the outlet temperature is not in the proper range, adjust the water-regulating valve to bring it into range.

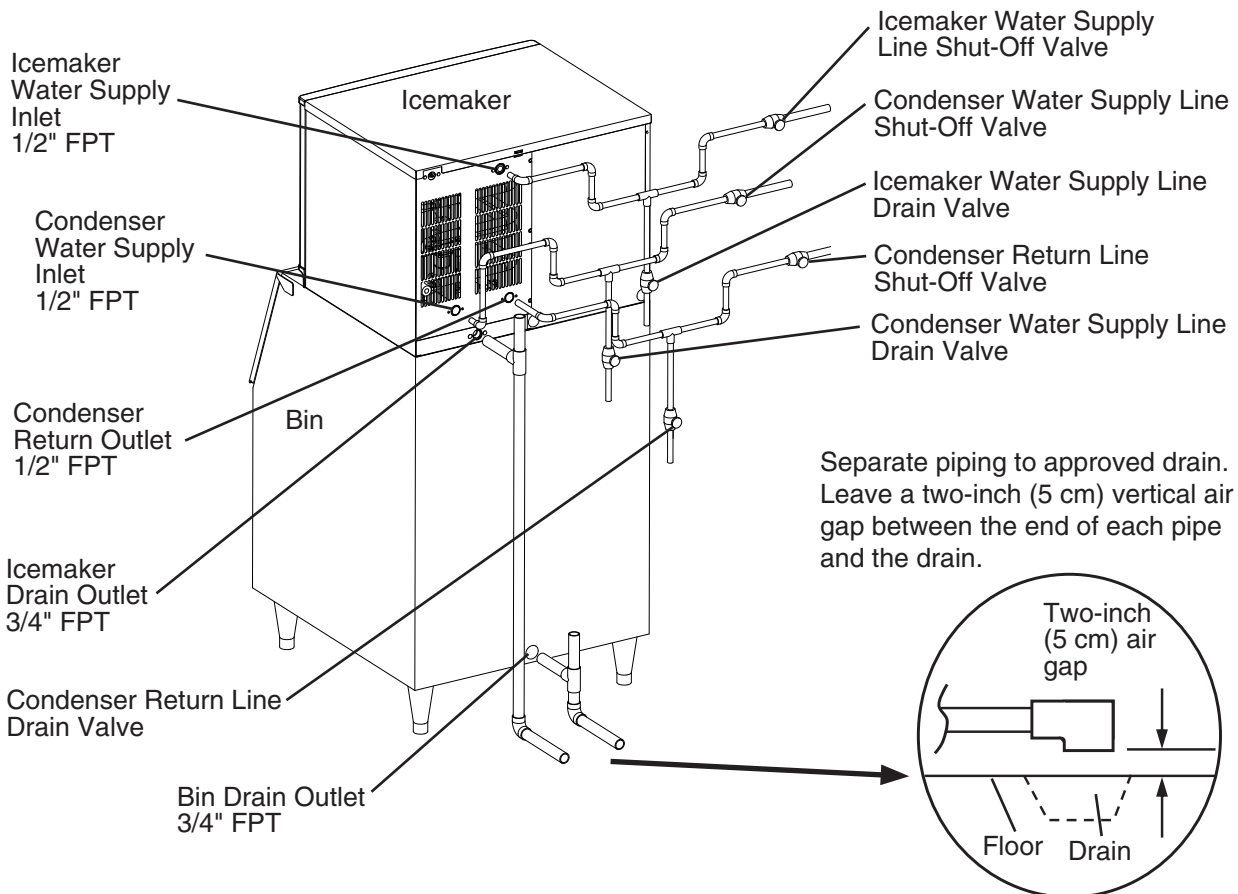


Fig. 9

KMD-450MWH
Connection to a Closed Loop System

H. Final Checklist

WARNING

CHOKING HAZARD: Ensure all components, fasteners, and thumbscrews are securely in place after installation. Make sure that none have fallen into the dispenser unit/storage bin.

- 1) Is the icemaker level?
- 2) Is the icemaker in a site where the ambient temperature is within 45°F to 100°F (7°C to 38°C) and the water temperature within 45°F to 90°F (7°C to 32°C) all year around?
- 3) Is there at least 6" (15 cm) clearance at rear, left side, and top and 12" (30 cm) clearance at right side of the icemaker for proper air circulation and ease of maintenance and service?
- 4) Have the shipping carton, tape, and packing material been removed from the icemaker? Is the cube guide in the correct position?
- 5) Are all components, fasteners, and thumbscrews securely in place?
- 6) Have all electrical and water connections been made? Do electrical and water connections meet all national, state, and local code and regulation requirements?
- 7) Has the power supply voltage been checked or tested against the nameplate rating? Has a proper ground been installed to the icemaker?
- 8) Are the water supply line shut-off valve(s) and drain valve(s) installed? Has the water supply pressure been checked to ensure a minimum of 10 PSIG and a maximum of 113 PSIG?
Note: The icemaker may stop running when the water supply is off, or if the pressure is below 10 PSIG. When the proper water pressure is reached, the icemaker automatically starts running again.
- 9) Are the compressor hold-down bolts snug? Have the refrigerant lines been checked to make sure they do not rub or touch other lines or surfaces? Has the fan blade (if applicable) been checked to make sure it turns freely?
- 10) Has the end user been given the instruction manual, and instructed on how to operate the icemaker and the importance of the recommended periodic maintenance?
- 11) Has the end user been given the name and telephone number of an authorized service agent?
- 12) Has the warranty card been filled out and forwarded to the factory for warranty registration?

I. Startup

WARNING

1. All parts are factory-adjusted. Improper adjustments may adversely affect safety, performance, component life, and warranty coverage.
2. If the icemaker is turned off, wait for at least 3 minutes before restarting the icemaker to prevent damage to the compressor.
3. To prevent damage to the water pump, do not leave the control switch in the "SERVICE" position for extended periods of time when the water tank is empty.
4. At startup, confirm that all internal and external connections are free of leaks.

- 1) Open the water supply line shut-off valve(s).
- 2) Remove the front panel.
- 3) Move the control switch on the control box to the "ICE" position.
- 4) Replace the front panel in its correct position.
- 5) Turn on the power supply and allow the icemaker to operate for 5 minutes to fill up the water tank.
- 6) Remove the front panel, then move the service switch to the "WASH" position. Move the control switch to the "SERVICE" position.
- 7) Replace the front panel in its correct position and allow the icemaker to run for 5 minutes.
- 8) Remove the front panel, then move the service switch to the "DRAIN" position.
- 9) Replace the front panel in its correct position and allow the icemaker to drain for 2 minutes.
- 10) Turn off the power supply.
- 11) Remove the front panel, then move the control switch to the "ICE" position.
- 12) Replace the front panel in its correct position.
- 13) Clean the dispenser unit/storage bin liner using a neutral cleaner. Rinse thoroughly after cleaning.
- 14) Turn on the power supply to start the automatic icemaking process.
- 15) To confirm bin control operation, press the bin control's actuator paddle during the first 5 minutes of the freeze cycle. The compressor and fan motor should de-energize within 15 seconds, then the drain valve should energize until the water tank empties. After the water tank empties, the pump motor and drain valve should de-energize.

III. Cleaning and Maintenance

⚠ WARNING

CHOKING HAZARD: Ensure all components, fasteners, and thumbscrews are securely in place after any cleaning or maintenance is done to the unit. Make sure that none have fallen into the dispenser unit/storage bin.

A. Cleaning and Sanitizing Instructions

Hoshizaki recommends cleaning and sanitizing this unit at least once a year. More frequent cleaning and sanitizing, however, may be required in some existing water conditions.

⚠ WARNING

1. To prevent injury to individuals and damage to the icemaker, do not use ammonia type cleaners.
2. Carefully follow any instructions provided with the bottles of cleaning and sanitizing solution.
3. Always wear liquid-proof gloves and goggles to prevent the cleaning and sanitizing solutions from coming into contact with skin or eyes.
4. To prevent damage to the water pump, do not leave the control switch in the "SERVICE" position for extended periods of time when the water tank is empty.

1. Cleaning Procedure

- 1) Dilute 9.5 fl. oz. (281 ml) of recommended cleaner Hoshizaki "Scale Away" or "LIME-A-WAY" (Economics Laboratory, Inc.) with 1.8 gal. (6.8 l) of warm water.
- 2) Remove all ice from the evaporator and the dispenser unit/storage bin.
Note: To remove cubes on the evaporator, turn off the power supply and turn it on after 3 minutes. The harvest cycle starts and the cubes will be removed from the evaporator.
- 3) Turn off the power supply.
- 4) Remove the front panel, then move the service switch to the "DRAIN" position. Move the control switch to the "SERVICE" position.
- 5) Replace the front panel in its correct position, then turn on the power supply for 2 minutes.
- 6) Turn off the power supply.
- 7) Remove the front panel, then remove insulation panel (A) (the large insulation panel in front of the evaporator) by lifting up the panel slightly and pulling it towards you.

- 8) In bad or severe water conditions, clean the float switch as described below. Otherwise, continue to step 9.
 - a. Remove the 2 thumbscrews securing insulation panel (B), then remove insulation panel (B). See Fig. 10.
 - b. Disconnect the discharge hose, the drain valve drain hose, and the overflow drain hose.
 - c. Disconnect the pump motor connector and the float switch connector from the side of the control box.
 - d. Remove the 2 thumbscrews securing the pump motor and float switch assembly. See Fig. 11.
 - e. Pull out the water tank, cube guide, and pump motor and float switch assembly together.
 - f. Remove the screw securing the float switch to the top of the assembly. Remove the float switch from the assembly.
 - g. Remove the retainer rod from the bottom of the float switch, then remove the float. Be careful not to bend the retainer rod excessively when removing it.
 - h. Wipe down the float switch housing, shaft, float, and retainer rod with cleaning solution. Rinse the parts thoroughly with clean water.
 - i. Reassemble the float switch. Replace the float switch in its correct position, then secure with the screw.
 - j. Replace the removed parts in the reverse order of which they were removed.
- 9) Pour the cleaning solution into the water tank.
- 10) Move the service switch to the "WASH" position.
- 11) Replace insulation panel (A) and the front panel in their correct positions.
- 12) Turn on the power supply to start the washing process.
- 13) Turn off the power supply after 30 minutes.
- 14) Remove the front panel.
- 15) Move the service switch to the "DRAIN" position.
- 16) Replace the front panel in its correct position, then turn on the power supply for 2 minutes.

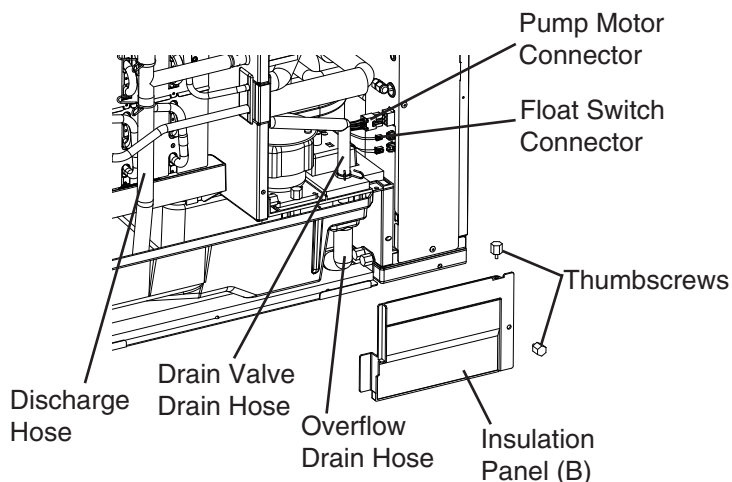


Fig. 10

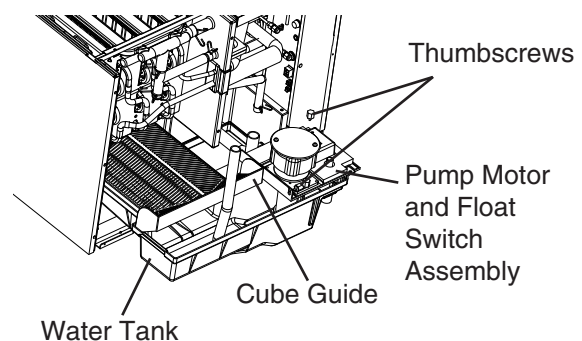


Fig. 11

- 17) Turn off the power supply, then remove the front panel.
- 18) Move the control switch to the "ICE" position.
- 19) Replace the front panel in its correct position.
- 20) Turn on the power supply to fill the water tank with water.
- 21) Turn off the power supply after 3 minutes.
- 22) Remove the front panel.
- 23) Move the service switch to the "WASH" position, then move the control switch to the "SERVICE" position.
- 24) Replace the front panel in its correct position.
- 25) Turn on the power supply to rinse off the cleaning solution.
- 26) Turn off the power supply after 5 minutes.
- 27) Remove the front panel.
- 28) Move the service switch to the "DRAIN" position.
- 29) Replace the front panel in its correct position, then turn on the power supply for 2 minutes.
- 30) Turn off the power supply.
- 31) Remove the front panel.
- 32) Repeat steps 18 through 31 three more times to rinse thoroughly.
Note: If you do not sanitize the icemaker, go to step 14 in "2. Sanitizing Procedure."

2. Sanitizing Procedure - Following Cleaning Procedure

- 1) Dilute 0.9 fl. oz. (27 ml) of a 5.25% sodium hypochlorite solution (chlorine bleach) with 1.8 gal. (6.8 l) of warm water.
- 2) Remove insulation panel (A).
- 3) Pour the sanitizing solution into the water tank.
- 4) Move the service switch to the "WASH" position.
- 5) Replace insulation panel (A) and the front panel in their correct positions.
- 6) Turn on the power supply to start the sanitizing process.
- 7) Turn off the power supply after 15 minutes.
- 8) Remove the front panel.
- 9) Move the service switch to the "DRAIN" position.
- 10) Replace the front panel in its correct position, then turn on the power supply for 2 minutes.
- 11) Turn off the power supply.
- 12) Remove the front panel.
- 13) Repeat steps 18 through 31 in "1. Cleaning Procedure" two times to rinse thoroughly.
- 14) Move the control switch to the "ICE" position.

- 15) Replace the front panel in its correct position.
- 16) Clean the dispenser unit/storage bin liner using a neutral cleaner. Rinse thoroughly after cleaning.
- 17) Turn on the power supply to start the automatic icemaking process.

B. Maintenance

This icemaker must be maintained individually, referring to the instruction manual and labels provided with the icemaker.

⚠ WARNING

1. Only qualified service technicians should attempt to service or maintain this icemaker.
2. Disconnect power before performing service or maintenance.

1. Stainless Steel Exterior

To prevent corrosion, wipe the exterior occasionally with a clean, soft cloth. Use a damp cloth containing a neutral cleaner to wipe off oil or dirt buildup.

2. Dispenser Unit/Storage Bin and Scoop

- Wash your hands before removing ice. Use the plastic scoop provided (bin accessory).
- The dispenser unit/storage bin is for ice use only. Do not store anything else in the dispenser unit/storage bin.
- Clean the scoop and the dispenser unit/storage bin liner using a neutral cleaner. Rinse thoroughly after cleaning.

3. Air Filters (self-contained air-cooled model)

Plastic mesh air filters remove dirt and dust from the air, and keep the condenser from getting clogged. As the filters get clogged, the icemaker's performance will be reduced. Check the filters at least twice a month. When clogged, use warm water and a neutral cleaner to wash the filters.

4. Condenser (self-contained air-cooled model)

Check the condenser once a year, and clean the coil if required by using a brush or vacuum cleaner. More frequent cleaning may be required depending on location.

C. Preparing the Icemaker for Long Storage

CAUTION

1. When storing the icemaker for an extended time or in sub-freezing temperatures, follow the instructions below to prevent damage.
2. To prevent damage to the water pump, do not leave the control switch in the "SERVICE" position for extended periods of time when the water tank is empty.

When the icemaker is not used for two or three days under normal conditions, it is sufficient to move the control switch to the "OFF" position. When storing the icemaker for an extended time or in sub-freezing temperatures, follow the instructions below.

1. Remove the water from the icemaker water supply line:

- 1) Turn off the power supply, then remove the front panel.
- 2) Move the control switch on the control box to the "OFF" position.
- 3) Close the icemaker water supply line shut-off valve, then open the icemaker water supply line drain valve.
- 4) Allow the line to drain by gravity.
- 5) Attach compressed air or carbon dioxide supply to the icemaker water supply line drain valve.
- 6) Move the control switch to the "ICE" position.
- 7) Replace the front panel in its correct position, then turn on the power supply.
- 8) Blow the icemaker water supply line out using compressed air or carbon dioxide.

2. Drain the water tank:

- 1) Turn off the power supply, then remove the front panel.
- 2) Move the service switch to the "DRAIN" position, then move the control switch to the "SERVICE" position.
- 3) Replace the front panel in its correct position, then turn on the power supply for 2 minutes.
- 4) Turn off the power supply, then remove the front panel.
- 5) Move the control switch to the "OFF" position.
- 6) Replace the front panel in its correct position.
- 7) Remove all ice from the dispenser unit/storage bin. Clean the dispenser unit/storage bin using a neutral cleaner. Rinse thoroughly after cleaning.
- 8) Close the icemaker water supply line drain valve.

3. On water-cooled model, remove the water from the water-cooled condenser:

- 1) Make sure the power supply is off, then remove the front panel and right side panel.
- 2) Close the condenser water supply line shut-off valve. If connected to a closed loop system, also close the condenser return line shut-off valve.

- 3) Open the condenser water supply line drain valve. If connected to a closed loop system, also open the condenser return line drain valve.
- 4) Attach a compressed air or carbon dioxide supply to the condenser water supply line drain valve.
- 5) Open the water regulating valve by using a screwdriver to pry up on the spring retainer underneath the spring. While holding the valve open, blow out the condenser using the compressed air or carbon dioxide supply until water stops coming out.
- 6) Close the drain valve(s).
- 7) Replace the right side panel and front panel in their correct positions.

HOSHIZAKI AMERICA, INC.

618 Hwy. 74 S., Peachtree City, GA 30269 USA | TEL (770) 487-2331 | FAX (770) 487-3360 | www.hoshizaki.com | 91A7BA10A

Free Manuals Download Website

<http://myh66.com>

<http://usermanuals.us>

<http://www.somanuals.com>

<http://www.4manuals.cc>

<http://www.manual-lib.com>

<http://www.404manual.com>

<http://www.luxmanual.com>

<http://aubethermostatmanual.com>

Golf course search by state

<http://golfingnear.com>

Email search by domain

<http://emailbydomain.com>

Auto manuals search

<http://auto.somanuals.com>

TV manuals search

<http://tv.somanuals.com>