

Hoshizaki America, Inc.

Modular Crescent Cuber

Models

KMD-460MAH, MWH

KMD-530MAH, MWH, MRH



“A Superior Degree
of Reliability”

www.hoshizaki.com

PARTS LIST



Number: 71357
Issued: 11-19-2014

CONTENTS

Auxiliary Codes.....	3
Note About Ordering Parts	3
A. Main Assembly & Refrigeration Circuit	4
KMD-460MAH, KMD-530MAH	4
KMD-460MWH, KMD-530MWH	6
KMD-530MRH.....	8
B. Water Circuit	10
C. Control Box Assembly	12
D. Accessories & Labels	14

Auxiliary Codes

KMD-460MAH D-0 November 2014

KMD-460MWH E-0 March 2015

KMD-530MAH D-0 October 2014

KMD-530MWH D-0 December 2014

KMD-530MRH D-0 October 2014

Auxiliary Code Breakdown

The auxiliary code is the first two characters in the serial number. The first character indicates the year. Years progress or regress in alphabetical order. The series runs from "A" through "V" and the letters "I" and "O" are skipped. The second character indicates significant part changes within a year. Base is "0" and this number advances for each change.

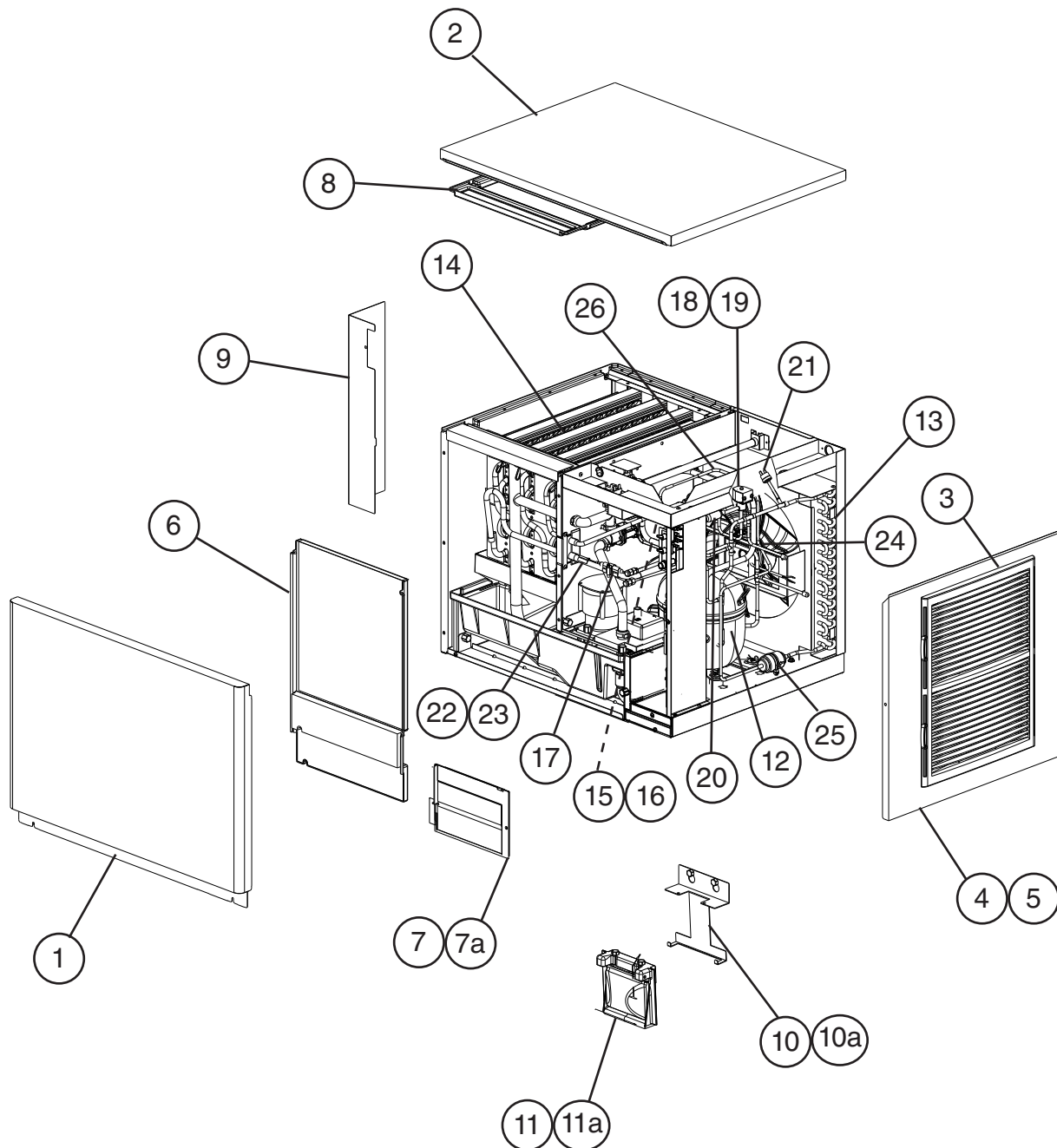
Note About Ordering Parts

Most assemblies cannot be ordered as complete units; parts in the assemblies generally must be ordered separately.

A. Main Assembly & Refrigeration Circuit

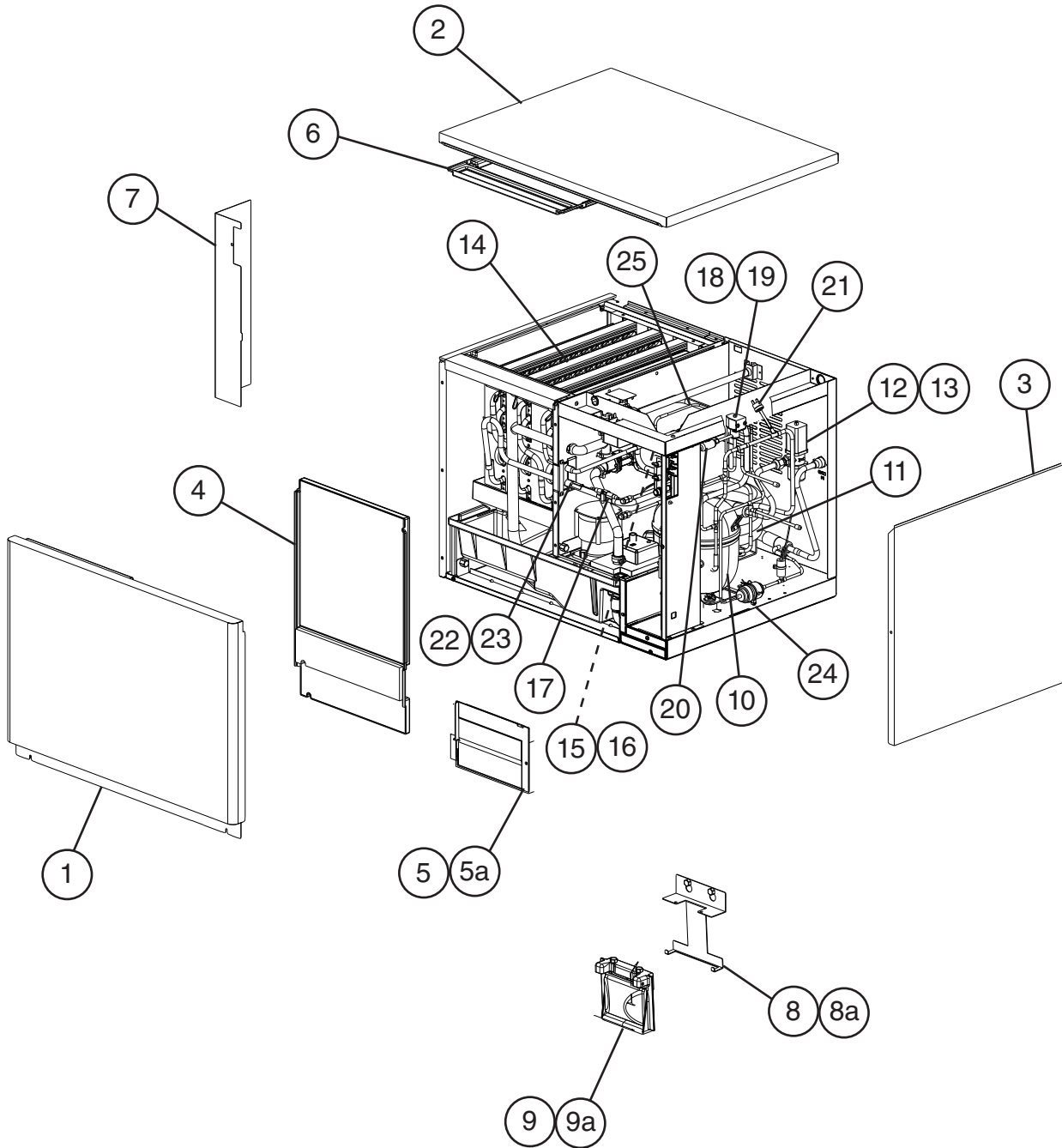
KMD-460MAH, KMD-530MAH

D-0, E-0



Title: A. Main Assembly & Refrigeration Circuit Model: KMD-460MAH, KMD-530MAH												
Index No.	Description	Material or Model Number	Part Number	Required Number								
				D-0								
Main Assembly												
1	Front Panel		3A5196G01	1								
2	Top Panel		3A4373G01	1								
3	Right Side Panel		2A4137G01	1								
4	Louver		1A1329-01	1								
5	Air Filter		2A4128G01	2								
6	Front Insulation A		3A5570G01	1								
7	Front Insulation B		3A4386G01	1								
7a	Thumbscrew		415949G12	1								
8	Top Insulation		3A4394G01	1								
9	Control Box Cover		3A8289-01	1								
10	Bin Control Bracket		3A8283-01	1								
10a	Thumbscrew		415949G10	2								
11	Bin Control		2A4393G01	1								
11a	Thumbscrew		415949G10	2								
Refrigeration Circuit												
12	Compressor	KMD-460MAH	4A4479-01	1								
		KMD-530MAH	4A4376-01	1								
13	Condenser		1A1363-01	1								
14	Evaporator	KMD-460MAH	2A4144G01	1								
		KMD-530MAH	2A7247G01	1								
15	Thermostatic Expansion Valve		4A1414-01	1								
16	Thermostatic Expansion Valve Cover		3A0944-01	1								
17	Thermostatic Expansion Valve Bulb Holder		3A0107-01	1								
18	Hot Gas Valve Body		4A3978-01	1								
19	Valve Coil		4A3277-01	1								
20	Strainer		441569-02	1								
21	High-Pressure Switch		463180-04	1								
22	Thermistor		429006-03	1								
23	Thermistor Holder		427430-01	1								
24	Fan Motor (includes blade)		P02596-01	1								
25	Drier		4A1113-01	1								
26	Heat Exchanger	KMD-460MAH	2A5259G01	1								
		KMD-530MAH	1A3477G01	1								

A. Main Assembly & Refrigeration Circuit
KMD-460MWH, KMD-530MWH
D-0, E-0

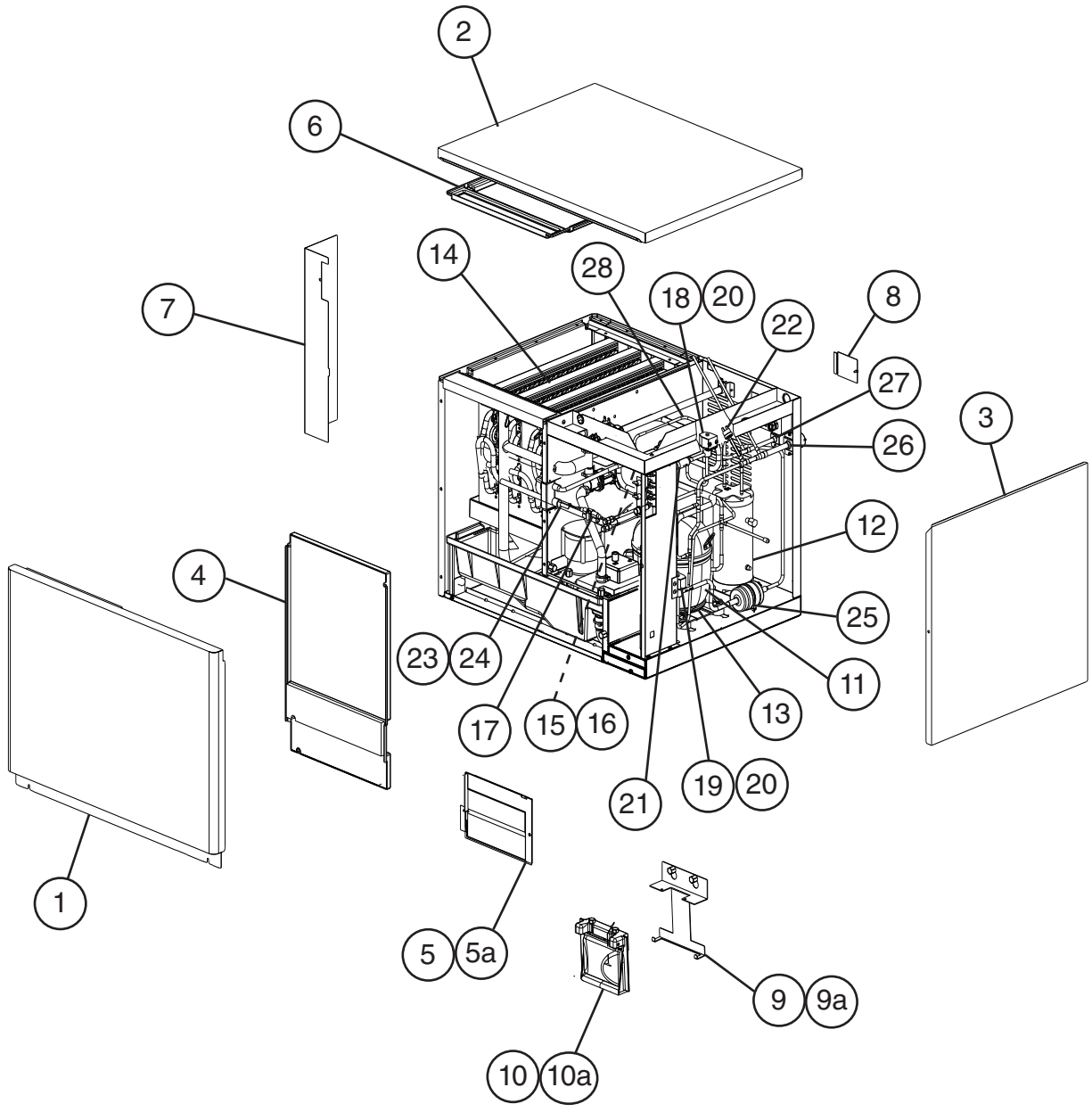


Title: A. Main Assembly & Refrigeration Circuit Model: KMD-460MWH, KMD-530MWH												
Index No.	Description	Material or Model Number	Part Number	Required Number								
				D-0								
Main Assembly												
1	Front Panel		3A5196G01	1								
2	Top Panel		3A4373G01	1								
3	Right Side Panel		2A4173G01	1								
4	Front Insulation A		3A5570G01	1								
5	Front Insulation B		4A4283-01	1								
5a	Thumbscrew		415949G12	1								
6	Top Insulation		3A4394G01	1								
7	Control Box Cover		3A8289-01	1								
8	Bin Control Bracket		3A8283-01	1								
8a	Thumbscrew		415949-10	2								
9	Bin Control		2A4393G01	1								
9a	Thumbscrew		415949-10	2								
Refrigeration Circuit												
10	Compressor	KMD-460MWH	4A4479-01	1								
		KMD-530MWH	4A4376-01	1								
11	Condenser		3A8514-01	1								
12	Water Regulating Valve		4A0911-06	1								
13	Male Connector		4A1087-01	1								
14	Evaporator	KMD-460MWH	2A4144G01	1								
		KMD-530MWH	2A7247G01	1								
15	Thermostatic Expansion Valve		4A1414-01	1								
16	Thermostatic Expansion Valve Cover		3A0944-01	1								
17	Thermostatic Expansion Valve Bulb Holder		3A0107-01	1								
18	Hot Gas Valve Body		4A3978-01	1								
19	Valve Coil		4A3277-01	1								
20	Strainer		441569-02	1								
21	High-Pressure Switch		463180-05	1								
22	Thermistor		429006-03	1								
23	Thermistor Holder		427430-01	1								
24	Drier		4A1113-01	1								
25	Heat Exchanger	KMD-460MWH	2A5259G01	1								
		KMD-530MWH	1A3477G01	1								

A. Main Assembly & Refrigeration Circuit

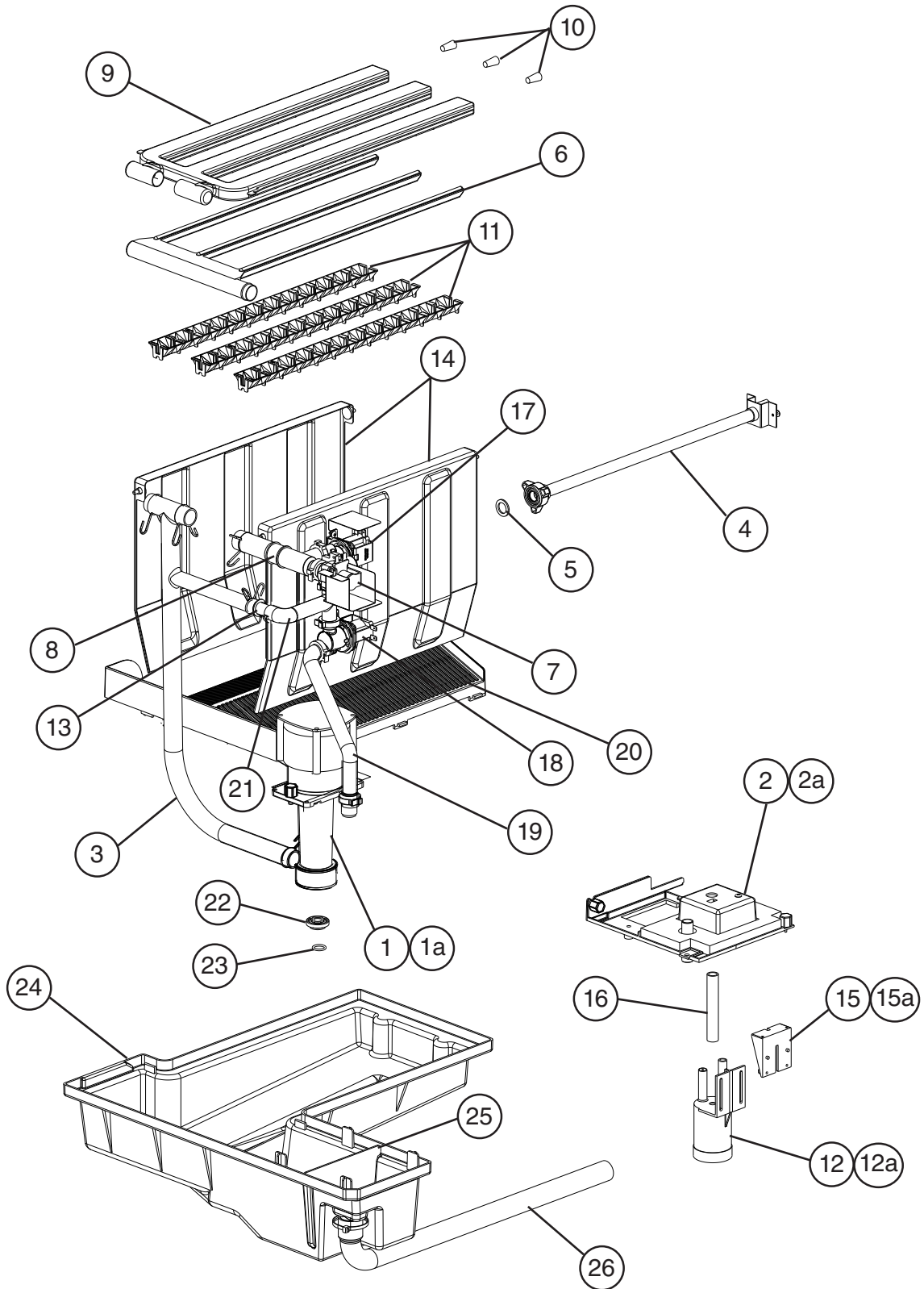
KMD-530MRH

D-0



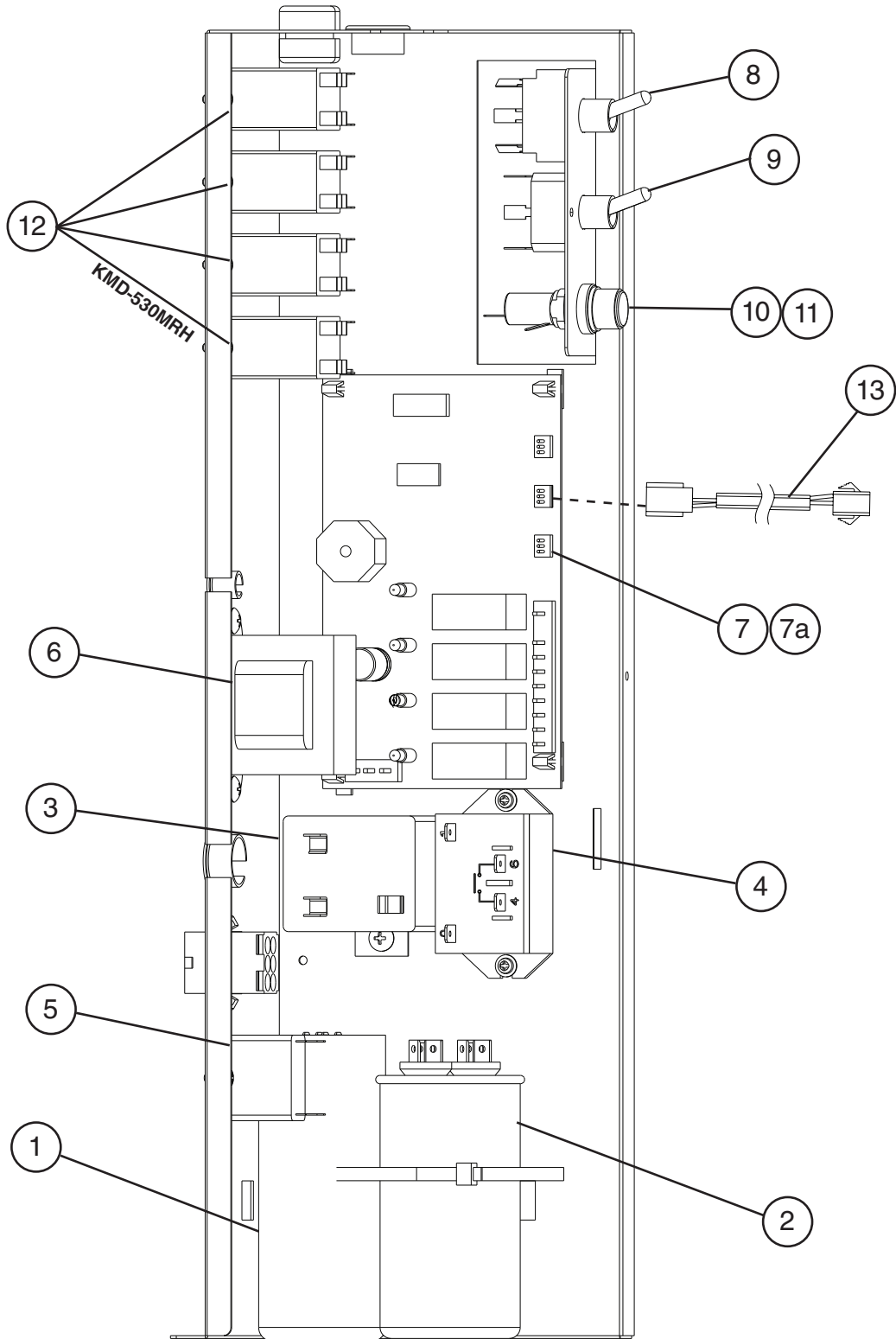
Title: A. Main Assembly & Refrigeration Circuit Model: KMD-530MRH												
Index No.	Description	Material or Model Number	Part Number	Required Number								
				D-0								
Main Assembly												
1	Front Panel		3A5196G01	1								
2	Top Panel		3A4373G01	1								
3	Right Side Panel		2A4173G01	1								
4	Front Insulation A		3A5570G01	1								
5	Front Insulation B		3A4386G01	1								
5a	Thumbscrew		415949G12	1								
6	Top Insulation		3A4394G01	1								
7	Control Box Cover		3A8289-01	1								
8	Junction Box Cover		433410-01	1								
9	Bin Control Bracket		3A8283-01	1								
9a	Thumbscrew		415949-10	2								
10	Bin Control		2A4393G01	1								
10a	Thumbscrew		415949-10	2								
Refrigeration Circuit												
11	Compressor		4A4376-01	1								
12	Receiver		437596-01	1								
13	Crankcase Heater		4A5091-01	1								
14	Evaporator		2A7247G01	1								
15	Thermostatic Expansion Valve		4A1414-01	1								
16	Thermostatic Expansion Valve Cover		3A0944-01	1								
17	Thermostatic Expansion Valve Bulb Holder		3A0107-01	1								
18	Hot Gas Valve Body		4A3978-01	1								
19	Liquid Line Valve Body		4A3276-01	1								
20	Valve Coil		4A3277-01	2								
21	Strainer		441569-02	1								
22	High-Pressure Switch		463180-04	1								
23	Thermistor		429006-03	1								
24	Thermistor Holder		427430-01	1								
25	Drier		4A2663-01	1								
26	Discharge Line Coupling		434072-01	1								
27	Liquid Line Coupling		426554-01	1								
28	Heat Exchanger		1A3477G01	1								

B. Water Circuit
KMD-460M_H, KMD-530M_H
 D-0, E-0



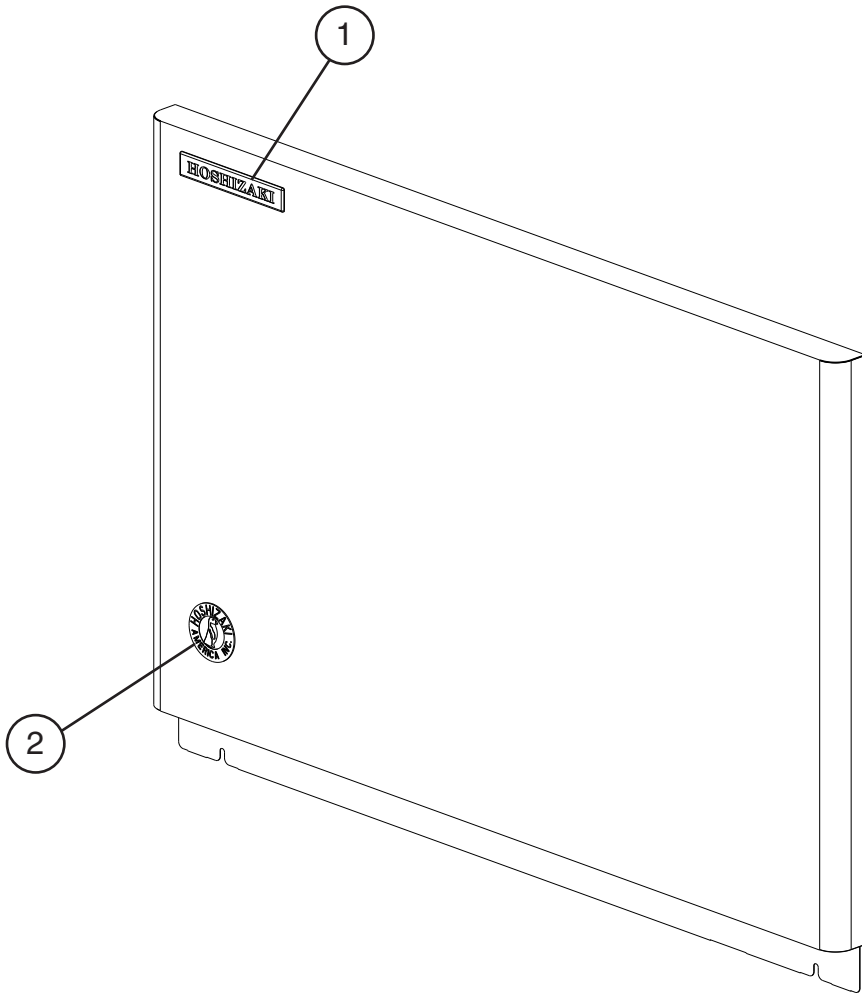
Title: B. Water Circuit Model: KMD-460M_H, KMD-530M_H												
Index No.	Description	Material or Model Number	Part Number	Required Number								
				D-0	E-0							
1	Pump Motor		4A4259-01	1								
1a	Thumbscrew		415949G12	1								
2	Pump Motor Bracket		4A4251G01	1								
2a	Thumbscrew		415949G12	2								
3	Pump Hose		4A5685-01	1								
4	Water Supply Pipe		4A4250G01	1								
5	Rubber Gasket		413854-03	1								
6	Water Supply Tube		2A4132-01	1								
7	Inlet Water Valve	KMD-460MAH KMD-460MWH	3U0111-03	1								
		KMD-530MAH KMD-530MRH	4A5251-07	1								
		KMD-530MWH	4A5251-03	1								
8	Water Valve Hose		3A4366-01	1								
9	Spray Tube		2A4133-01	1								
10	Plug		4A0176-01	3								
11	Spray Guide		2A4282-04	3								
12	Float Switch		4A3624-01	1								
12a	T2 Screw		7P32-0412	2								
13	Evaporator Pipe		4A3765-02	1								
14	Splash Curtain	KMD-460MAH KMD-460MWH	3A4387G01	2								
		KMD-530MAH KMD-530MRH KMD-530MWH	2A7452G01	2								
15	Float Switch Bracket		327757-01	1								
15a	T2 Screw	4x12	7P32-0412	1								
16	Vinyl Hose	40 mm	7716-1216	1								
17	Wash Valve	KMD-460MAH KMD-460MWH	4A5745-01	1								
		KMD-530MAH KMD-530MWH KMD-530MRH	4A5530-01	1								
18	Drain Valve	KMD-460MAH KMD-460MWH	4A5745-03	1								
		KMD-530MAH KMD-530MWH KMD-530MRH	4A5530-03	1								
19	Drain Hose		4A5688-01	1								
20	Cube Guide		1A1336-01	1								
21	Bypass Hose		4A5687-01	1								
22	Drain Plug		309246-01	1								
23	O-Ring		7611-P015	1								
24	Tank		3A8316G01	1								
25	Tank Separator		4A4239-01	1								
26	Tank Drain Hose		4A5684-01	1								
Hose Clamp												
	Hose Clamp	18 mm, SS	427443-05	2								
	Hose Clamp	25 mm, SS	427443-03	4								

C. Control Box Assembly
KMD-460M_H, KMD-530M_H
D-0, E-0



Title: C. Control Box Assembly Model: KMD-460M_H, KMD-530M_H												
Index No.	Description	Material or Model Number	Part Number	Required Number								
				D-0	E-0							
1	Start Capacitor	243-292MFD, 165VAC	3A0076-20	1								
2	Run Capacitor	35MFD, 440VAC	3A2005-12	1								
3	Start Relay		4A1107-11	1								
4	Compressor Relay		4A3140-01	1								
5	Pump Motor Capacitor	2.5MFD, 250VAC	4A2128-05	1								
6	Control Transformer		3A0172-01	1								
7	"G" Control Board		2A3792-01	1								
7a	Control Board Support		4A0336-03	4								
8	Toggle Switch (Control)		443119-01	1								
9	Toggle Switch (Service)		4A0985-01	1								
10	Fuse Holder		4A5443-01	1								
11	Fuse	AGC-10, 250VAC	4A0893-07	1								
12	Relay (X10, X11, X12, X13)	KMD-460MAH KMD-460MWH KMD-530MAH KMD-530MWH KMD-530MRH	406132-07	3								
				4								
13	Mechanical Bin Control Wire Harness		4A2200G04	1								

D. Accessories & Labels
KMD-460_H, KMD-530M_H
 D-0, E-0



Title: D. Accessories & Labels Model: KMD-460M_H, KMD-530M_H												
Index No.	Description	Material or Model Number	Part Number	Required Number								
				D-0								
1	Hoshizaki Emblem Label		4A0560-01	1								
2	Penguin Label		456246-01	1								
3	Universal Brace		4A0363-01	2								
3a	Hex Bolt	5x12	7B02-0512	2								

Free Manuals Download Website

<http://myh66.com>

<http://usermanuals.us>

<http://www.somanuals.com>

<http://www.4manuals.cc>

<http://www.manual-lib.com>

<http://www.404manual.com>

<http://www.luxmanual.com>

<http://aubethermostatmanual.com>

Golf course search by state

<http://golfingnear.com>

Email search by domain

<http://emailbydomain.com>

Auto manuals search

<http://auto.somanuals.com>

TV manuals search

<http://tv.somanuals.com>