

Hoshizaki America, Inc.

Commercial Refrigerators & Freezers Pass Thru Series

Models

PTR1SSB-FGFG

PTR1SSB-HGHG

PTR1SSB-HGHS

PTR1SSB-FSFS

PTR1SSB-HSHS



“A Superior Degree
of Reliability”

www.hoshizaki.com

PARTS LIST



Number: 71272
Issued: 6-6-2007

CONTENTS

Auxiliary Codes.....	3
Note About Ordering Parts	3
Material Abbreviations	4
A. Reach-In Assembly	5
PTR1SSB-FGFG.....	5
PTR1SSB-HGHG.....	7
PTR1SSB-HGHS	9
PTR1SSB-FSFS	11
PTR1SSB-HSHS.....	13
B. Upper Panel Group.....	15
C. Refrigeration Circuit	17
D. Control Panel Group-Front	21
E. Control Panel Group-Rear.....	22
F. Interior Assembly	23
G. Door Assembly.....	24
PTR1SSB-FGFG.....	24
PTR1SSB-HGHG, PTR1-SSB-HGHS (HG).....	25
PTR1SSB-HGHS (HS), PTR1SSB-HSHS	26
PTR1SSB-FSFS	28
H. Light Group	30
PTR1SSB-FGFG, PTR1SSB-HGHG, PTR1SSB-HGHS	30
PTR1SSB-FSFS, PTR1SSB-HSHS	31
J. Control Box Assembly	32
K. Evaporator Assembly	34
L. Fan-Evaporator Assembly.....	36
M. Condenser Assembly.....	37
N. Evaporator Drain Pan.....	38
P. Door Sub-Assembly	39
PTR1SSB-FGFG.....	39
PTR1SSB-HGHG (UR), PTR1SSB-HGHS (HG, UR)	40
PTR1SSB-HGHG (LR), PTR1SSB-HGHS (HG, LR).....	41
PTR1SSB-HGHS (HS, UR), PTR1SSB-HSHS (UR).....	42
PTR1SSB-HGHS (HS, LR), PTR1SSB-HSHS (LR).....	43
PTR1SSB-FSFS	44
Q. Common Control Box.....	46

Auxiliary Codes

PTR1SSB-FGFG	S-5	TBD
PTR1SSB-HGHG	R-5	December 2006
	S-5	TBD
PTR1SSB-HGHS	R-5	December 2006
	S-5	January 2007
PTR1SSB-FSFS	S-5	May 2007
PTR1SSB-HSHS	S-5	April 2007

Auxiliary Code Breakdown

K-5

- Designates the year. "K" indicates the year 2000. Years progress or regress in alphabetical order. "J" is 1999, "L" is 2001, "M" is 2002, and so on. The letters "I" and "O" were skipped.
- Designates significant part changes within the same year for this model. Base is 5 and this number advances for each change.

Example: P-6

- "P" indicates 2004.
- "6" indicates the first significant part change for 2004.

Note About Ordering Parts

Most assemblies cannot be ordered as complete units; parts in the assemblies generally must be ordered separately.

Material Abbreviations

ALUMINUM

AL = Aluminum

COPPER

CU = Copper

PLASTIC

ABS = Acrylonitrile -butadiene - styrene
AC = Polyacetal
EVA = Ethylene vinyl acetate
PA = Polyamide = Nylon
PC = Polycarbonate
PE = Polyethylene
PES = Polyester
PETP = Polyethylene terephthalate = Tetlon
PP = Polypropylene
PS = Polystyrene
PTFE = Polytetrafluoroethylene = Teflon
PUR = Polyurethane
PVC = Polyvinyl chloride

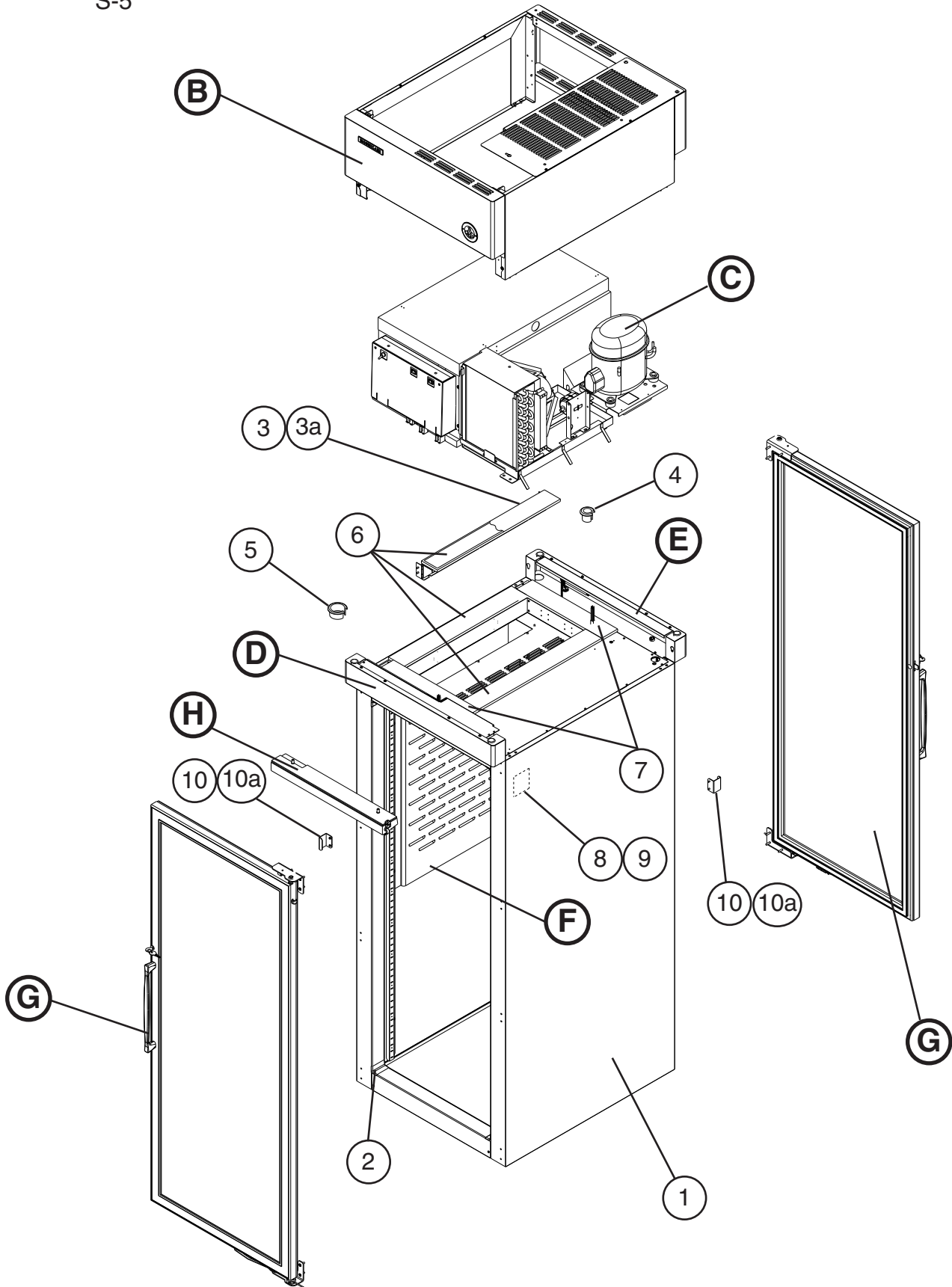
RUBBER

VN = Vinyl Nitrile
EPDM = EP rubber
NBR = Nitrile butadiene rubber
NR = Natural rubber
NP = Neoprene
SI.R = Silicone rubber
SY.R = Synthetic rubber
EPH = Epichlorohydrin

STEEL

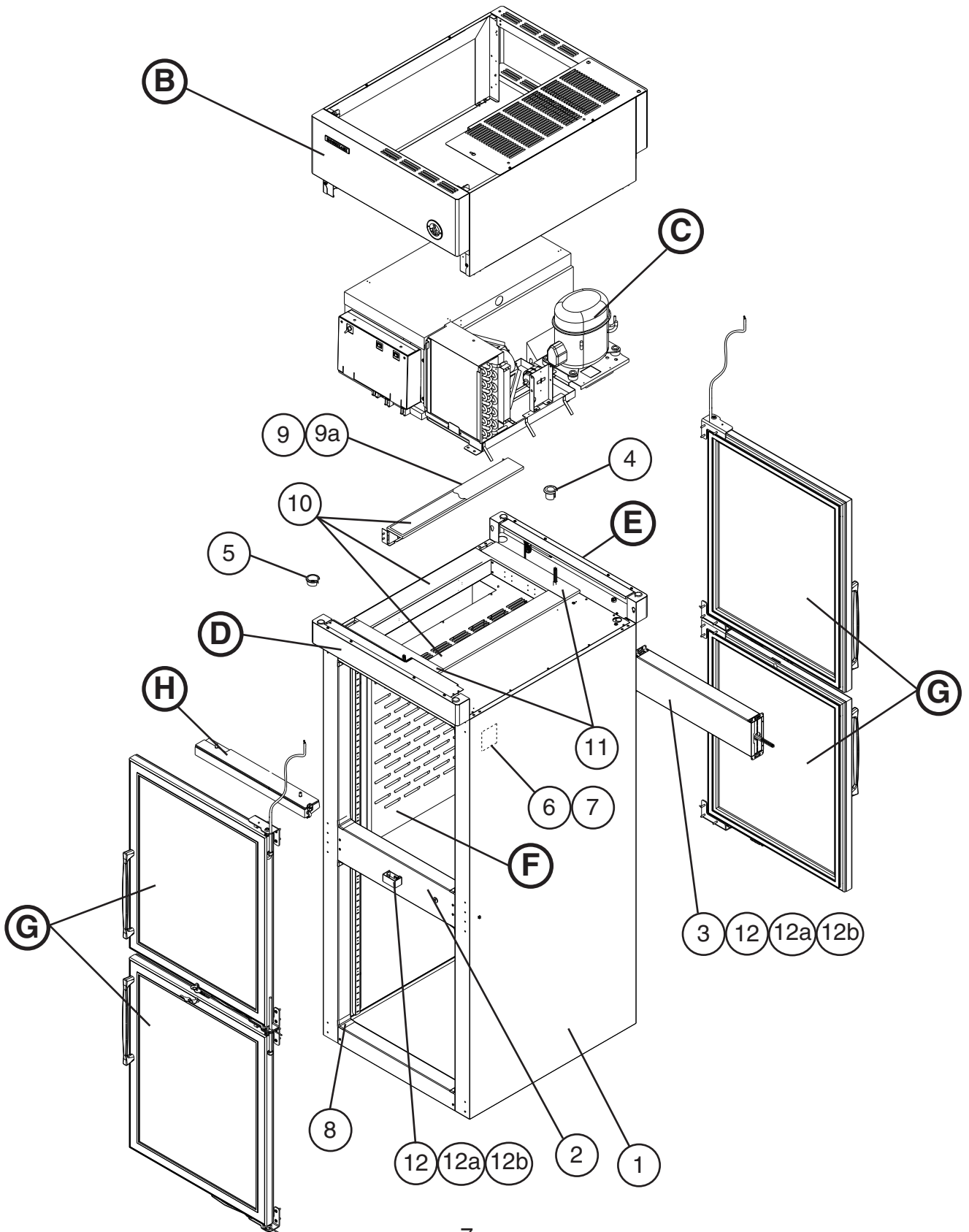
GS = Galvanized steel
SS = Stainless steel
PS = Plated steel
PAS = Primed steel

A. Reach-In Assembly
PTR1SSB-FGFG
 S-5



Title: A. Reach-In Assembly Model: PTR1SSB-FGFG												
Index No.	Description	Material or Model Number	Part Number	Required Number								
				S-5								
B	Upper Panel Group (For mounting hardware, see section "B" item 1a)	-	2A3971A01	1								
C	Refrigeration Circuit (For mounting hardware, see section "C" items 1-6)	-	1A0705A01	1								
D	Control Panel Group-Front (For mounting hardware, see section "D" item 1a)	-	3A4197A01	1								
E	Control Panel Group-Rear (For mounting hardware, see section "E" item 1a)	-	3A4201A01	1								
F	Interior Group (For mounting hardware, see section "F" items 5a and 7a)	-	3A4162A01	1								
G	Door Assembly	-	2A3964A01	2								
H	Light Group (For mounting hardware, see section "H" item 3a)	Fluorescent	3A4163A01	1								
1	Body	-	1A1270G01	1								
2	Cover-Corner	-	3A1751-01	8								
3	Air Divider Group	Includes item 3a	3A4164A01	1								
3a	T2 Screw	4x8, SS	7P32-0408	4								
4	Bushing	OCB-500	428394-02	1								
5	Bushing	OCB-875	428394-04	1								
6	Gasket	L=577	4A0414L03	3								
7	Gasket	L=400	4A0414L03	2								
8	Nameplate	-	2A3984-04	1								
9	Cover-Nameplate	-	4A3727-01	1								
10	Strike Group-Edge Glass	Includes item 10a	4A4291A01	2								
10a	T2 Screw	4x8, SS	7P32-0408	4								

A. Reach-In Assembly
PTR1SSB-HGHG
R-5, S-5

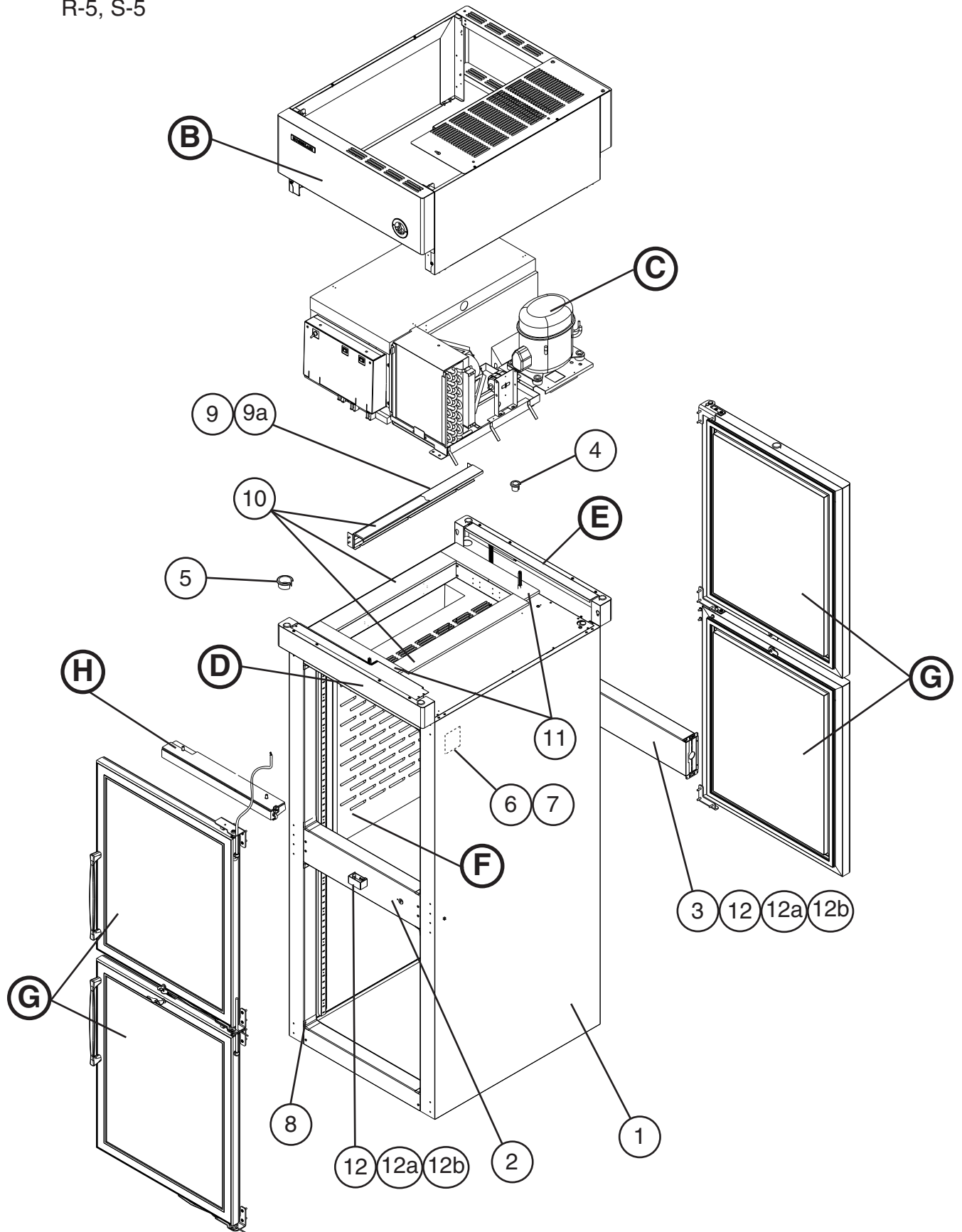


Title: A. Reach-In Assembly Model: PTR1SSB-HGHG												
Index No.	Description	Material or Model Number	Part Number	Required Number								
				R-5	S-5							
B	Upper Panel Group (For mounting hardware, see section "B" item 1a)	-	2A3971A01	1								
C	Refrigeration Circuit (For mounting hardware, see section "C" items 1-6)	-	1A0705A01	1								
D	Control Panel Group-Front (For mounting hardware, see section "D" 1a)	-	3A4197A01	1								
E	Control Panel Group-Rear (For mounting hardware see section "E" item 1a)	-	3A4201A01	1								
F	Interior Group (For mounting hardware, see section "F" items 5a and 7a)	-	3A4162A01	1								
G	Door Assembly	-	2A3962A01	2								
H	Light Group (For mounting hardware, see section "H" item 3a)	Fluorescent	3A4163A01	1								
1	Body	-	1A1218G01	1								
2	Mullion-Front	-	2A3918G01	1								
3	Mullion-Rear	-	2A3978G01	1								
4	Bushing	OCB-500	428394-02	1								
5	Bushing	OCB-875	428394-04	1								
6	Nameplate	-	2A3984-02	1								
7	Cover-Nameplate	-	4A3727-01	1								
8	Cover-Corner	-	3A1751-01	16								
9	Air Divider Group	Includes item 9a	3A4164A01	1								
9a	T2 Screw	4x8, SS	7P32-0408	4								
10	Gasket	L=577	4A0414L03	3								
11	Gasket	L=400	4A0414L03	2								
12	Strike Group	Includes items 12a and 12b	4A4293A01	2								
12a	T2 Screw	4x8, SS	7P32-0408	4								
12b	Truss Head Screw	4x8, SS	7C32-0408	2								

A. Reach-In Assembly

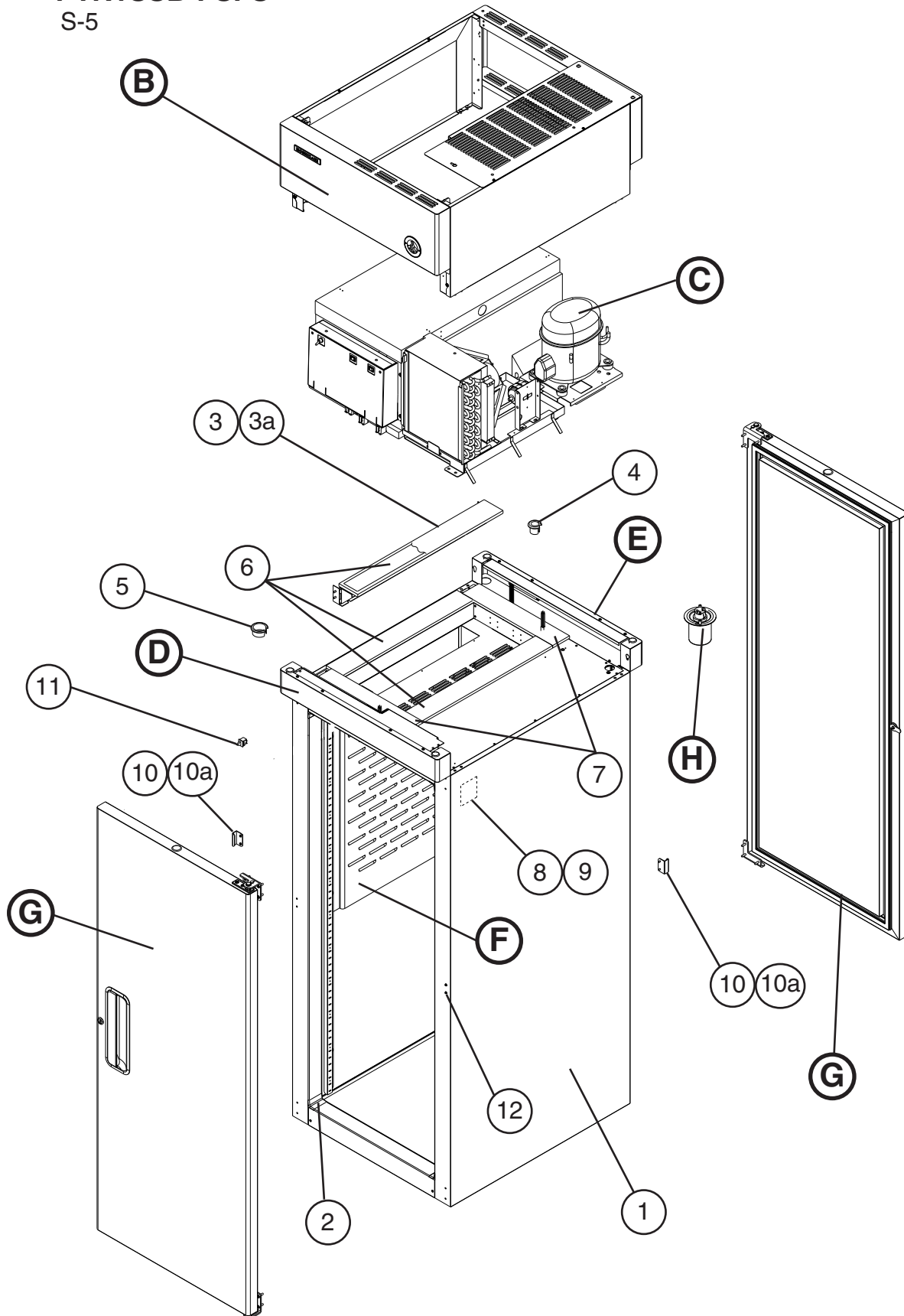
PTR1SSB-HGHS

R-5, S-5



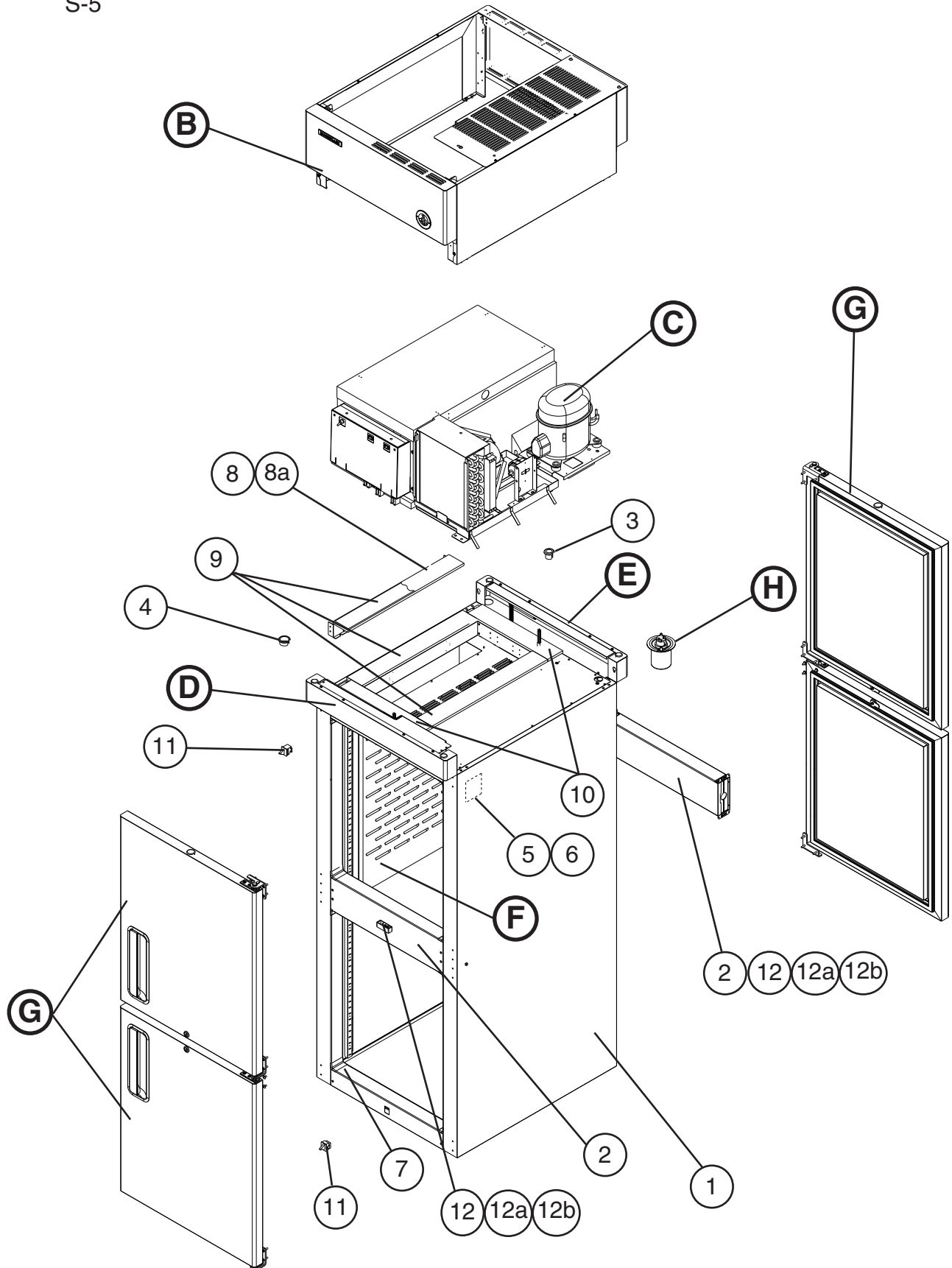
Title: A. Reach-In Assembly Model: PTR1SSB-HGHS												
Index No.	Description	Material or Model Number	Part Number	Required Number								
				R-5	S-5							
B	Upper Panel Group (For mounting hardware, see section "B" item 1a)	-	2A3971A01	1								
C	Refrigeration Circuit (For mounting hardware, see section "C" items 1-6)	-	1A0705A01	1								
D	Control Panel Group-Front (For mounting hardware, see section "D" item 1a)	HG	3A4197A01	1								
E	Control Panel Group-Rear (For mounting hardware, see section "E" item 1a)	HS	3A4198A01	1								
F	Interior Group (For mounting hardware, see section "F" items 5a and 7a)	-	3A4162A01	1								
G	Door Assembly	HG	2A3962A01	1								
		HS	2A3936A01	1								
H	Light Group (For mounting hardware, see section "H" item 3a)	Fluorescent	3A4163A01	1								
1	Body	-	1A1218G01	1								
2	Mullion-Front	HG	2A3918G01	1								
3	Mullion-Rear	HS	2A3917G01	1								
4	Bushing	OCB-500	428394-02	1								
5	Bushing	OCB-875	428394-04	1								
6	Nameplate	-	2A3984-01	1								
7	Cover-Nameplate	-	4A3727-01	1								
8	Cover-Corner	-	3A1751-01	16								
9	Air Divider Group	Includes item 9a	3A4164A01	1								
9a	T2 Screw	4x8, SS	7P32-0408	4								
10	Gasket	L=577	4A0414L03	3								
11	Gasket	L=400	4A0414L03	2								
12	Strike Group	HG, Includes items 12a and 12b	4A4293A01	1								
		HS, Includes items 12a and 12b	4A4292A01	1								
12a	T2 Screw	4x8, SS	7P32-0408	4								
12b	Truss Head Screw	4x8, SS	7C32-0408	2								

A. Reach-In Assembly
PTR1SSB-FSFS
 S-5



Title: A. Reach-In Assembly Model: PTR1SSB-FSFS												
Index No.	Description	Material or Model Number	Part Number	Required Number								
				S-5								
B	Upper Panel Group (For mounting hardware, see section "B" item 1a)	-	2A3971A01	1								
C	Refrigeration Circuit (For mounting hardware, see section "C" items 1-6)	-	1A0705A02	1								
D	Control Panel Group-Front (For mounting hardware, see section "D" item 1a)	-	3A4202A01	1								
E	Control Panel Group-Rear (For mounting hardware, see section "E" item 1a)	-	3A4198A01	1								
F	Interior Group (For mounting hardware, see section "F" items 5a and 7a)	-	3A4162A01	1								
G	Door Assembly	-	2A3941A01	2								
H	Light Group (For mounting hardware, see section "H" item 4a)	Incandescent	3A4196A01	1								
1	Body	-	1A1271G01	1								
2	Cover-Corner	-	3A1751-01	8								
3	Air Divider Group	Includes item 3a	3A4164A01	1								
3a	T2 Screw	4x8, SS	7P32-0408	4								
4	Bushing	OCB-500	428394-02	1								
5	Bushing	OCB-875	428394-04	1								
6	Gasket	L=577	4A0414L03	3								
7	Gasket	L=400	4A0414L03	2								
8	Nameplate	-	2A3984-05	1								
9	Cover-Nameplate	-	4A3727-01	1								
10	Strike Group-Edge Solid	Includes item 10a	4A4290A01	2								
10a	T2 Screw	4x8, SS	7P32-0408	4								
11	Switch-Door	-	3A1826-01	2								
12	T2 Screw (filler)	4x8, SS	7P32-0408	4								

A. Reach-In Assembly
PTR1SSB-HSHS
 S-5

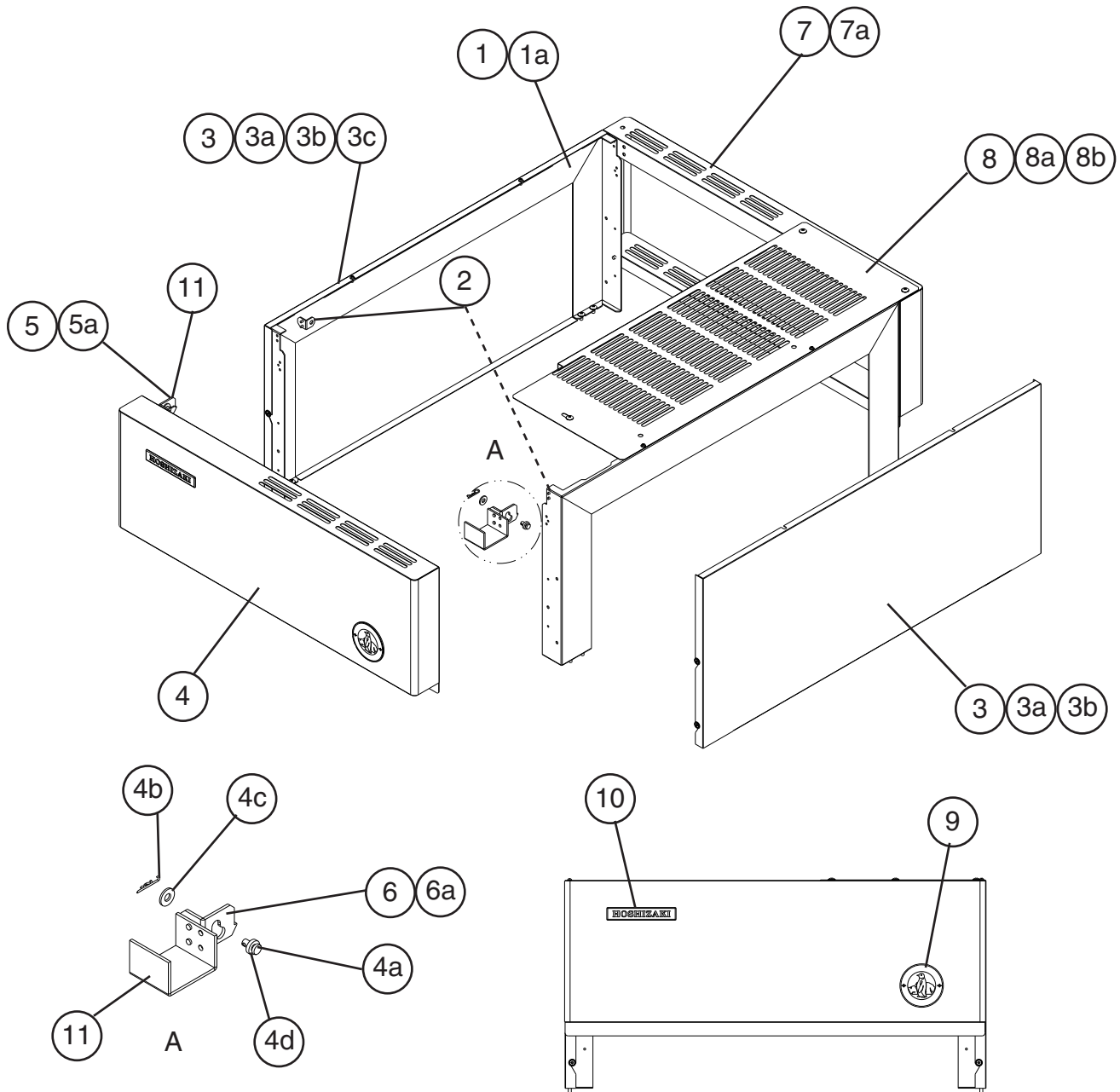


Title: A. Reach-In Assembly Model: PTR1SSB-HSHS												
Index No.	Description	Material or Model Number	Part Number	Required Number								
				S-5								
B	Upper Panel Group (For mounting hardware, see section "B" item 1a)	-	2A3971A01	1								
C	Refrigeration Circuit (For mounting hardware, see section "C" items 1-6)	-	1A0705A02	1								
D	Control Panel Group-Front (For mounting hardware, see section "D" item 1a)	-	3A4202A01	1								
E	Control Panel Group-Rear (For mounting hardware, see section "E" item 1a)	-	3A4198A01	1								
F	Interior Group (For mounting hardware, see section "F" items 5a and 7a)	-	3A4162A01	1								
G	Door Assembly	-	2A3936A01	2								
H	Light Group (For mounting hardware, see section "H" item 4a)	Incandescent	3A4196A01	1								
1	Body	-	1A1269G01	1								
2	Mullion	-	2A3917G01	2								
3	Bushing	OCB-500	428394-02	1								
4	Bushing	OCB-875	428394-04	1								
5	Nameplate	-	2A3984-03	1								
6	Cover-Nameplate	-	4A3727-01	1								
7	Cover-Corner	-	3A1751-01	16								
8	Air Divider Group	Includes item 8a	3A4164A01	1								
8a	T2 Screw	4x8, SS	7P32-0408	4								
9	Gasket	L=577	4A0414L03	3								
10	Gasket	L=400	4A0414L03	2								
11	Switch-Door	-	3A1826-01	4								
12	Strike Group	Includes items 12a and 12b	4A4292A01	2								
12a	T2 Screw	4x8, SS	7P32-0408	4								
12b	Truss Head Screw	4x8, SS	7C32-0408	2								

B. Upper Panel Group

PTR1SSB-FGFG, PTR1SSB-HGHG, PTR1SSB-HGHS, PTR1SSB-FSFS,
PTR1SSB-HSHS

R-5, S-5



Title: **B. Upper Panel Group** Model: **PTR1SSB-FGFG, PTR1SSB-HGHG, PTR1SSB-HGHS, PTR1SSB-FSFS, PTR1SSB-HSHS**

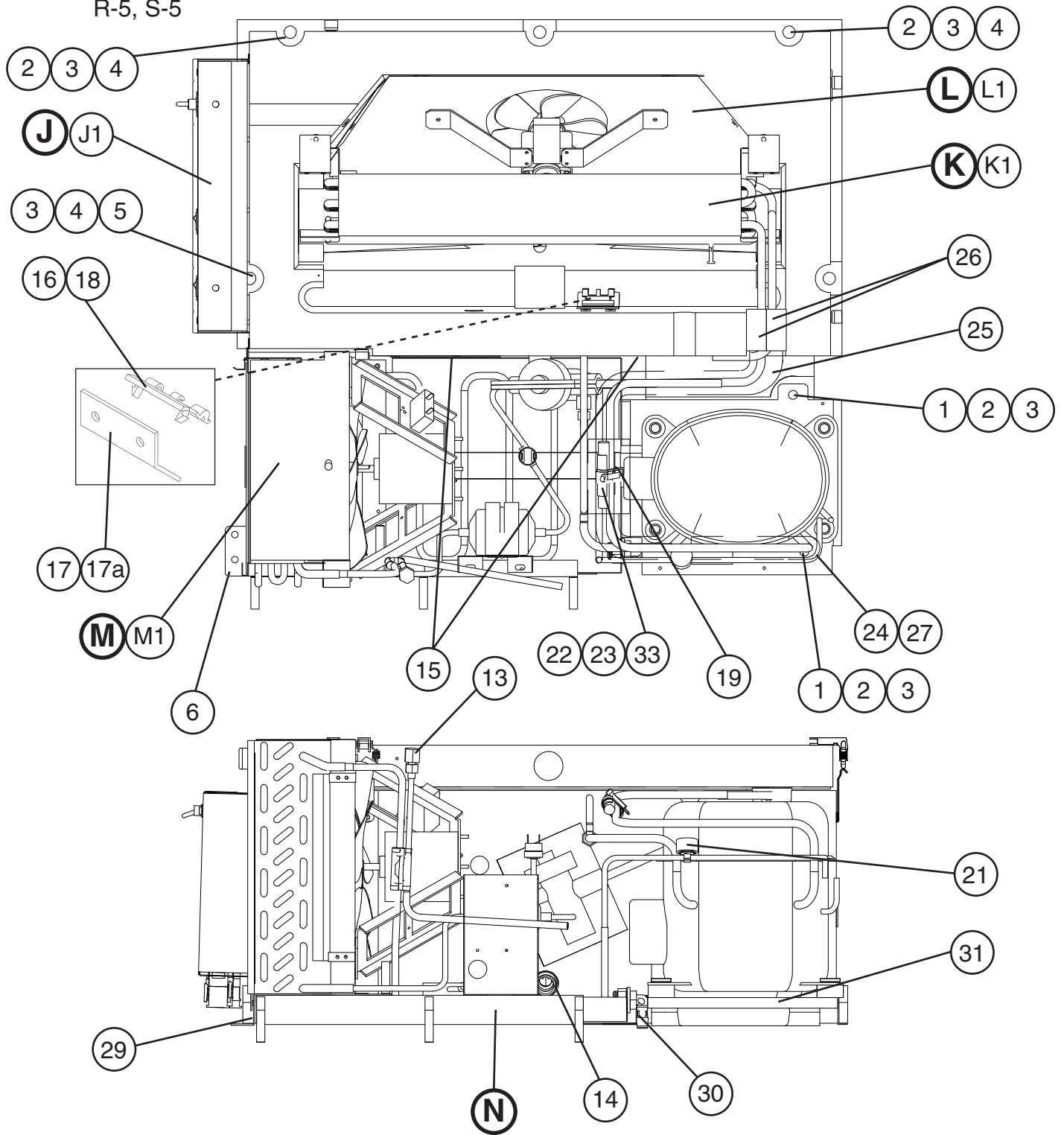
Index No.	Description	Material or Model Number	Part Number	Required Number																
				R-5	S-5															
1	Frame-Side Top	GS	2A1803-01	2																
1a	Truss Head Screw	5x10, SS	7C32-0510	8																
2	Bracket-Hinge	GS	4A2306-01	2																
3	Panel-Side Top	SS	2A1800-01	2																
3a	Taper Collar	SS	4H0171-01	4																
3b	Screw-Countersunk	5x20, SS	7C42-0520	4																
3c	T2 Screw	4x8, SS	7P32-0408	2																
4	Panel-Front (Hinged)	SS	1A0624-01	1																
4a	Clevis Pin	-	8907-0102	2																
4b	Cotter Pin	-	8907-0103	2																
4c	Washer	-	4A0655-03	2																
4d	Hinge-Spacer	-	4A2473-01	2																
5	Hinge-Front Panel (L)	GS	4A2153-01	1																
5a	Truss Head Screw	5x8, SS	7C32-0508	2																
6	Hinge-Front Panel (R)	GS	4A2154-01	1																
6a	Truss Head Screw	5x8, SS	7C32-0508	2																
7	Panel-Front (Stationary)	SS	1A0624-05	1																
7a	Truss Head Screw	5x8, SS	7C32-0508	2																
8	Cover-UL Top	GS	2A2505-01	1																
8a	Truss Head Screw	5x10, SS	7C32-0510	3																
8b	T2 Screw	4x8, SS	7P32-0408	2																
9	Label-Penguin-HA (L)	-	4A0526-02	2																
10	Emblem	-	4A0560-01	2																
11	Channel-Hinge	GS	4A2170-01	2																

C. Refrigeration Circuit

1/2

PTR1SSB-FGFG, PTR1SSB-HGHG, PTR1SSB-HGHS, PTR1SSB-FSFS,
PTR1SSB-HSHS

R-5, S-5

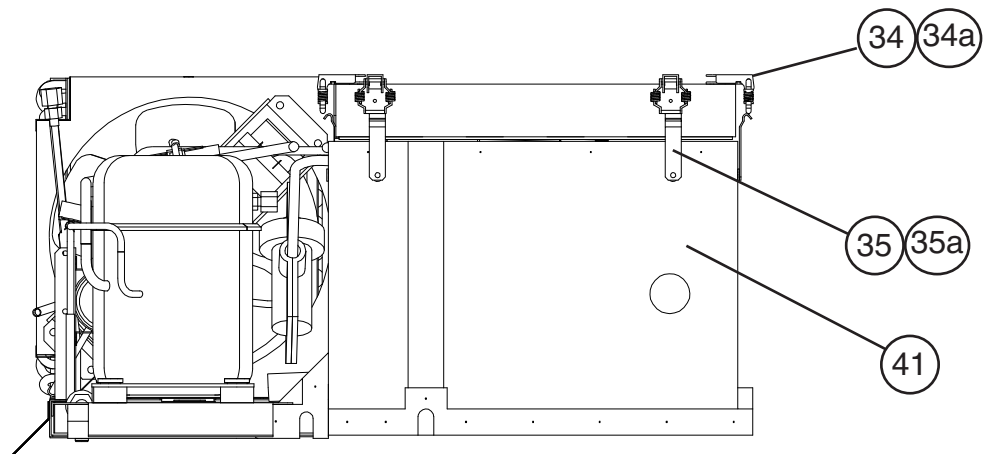
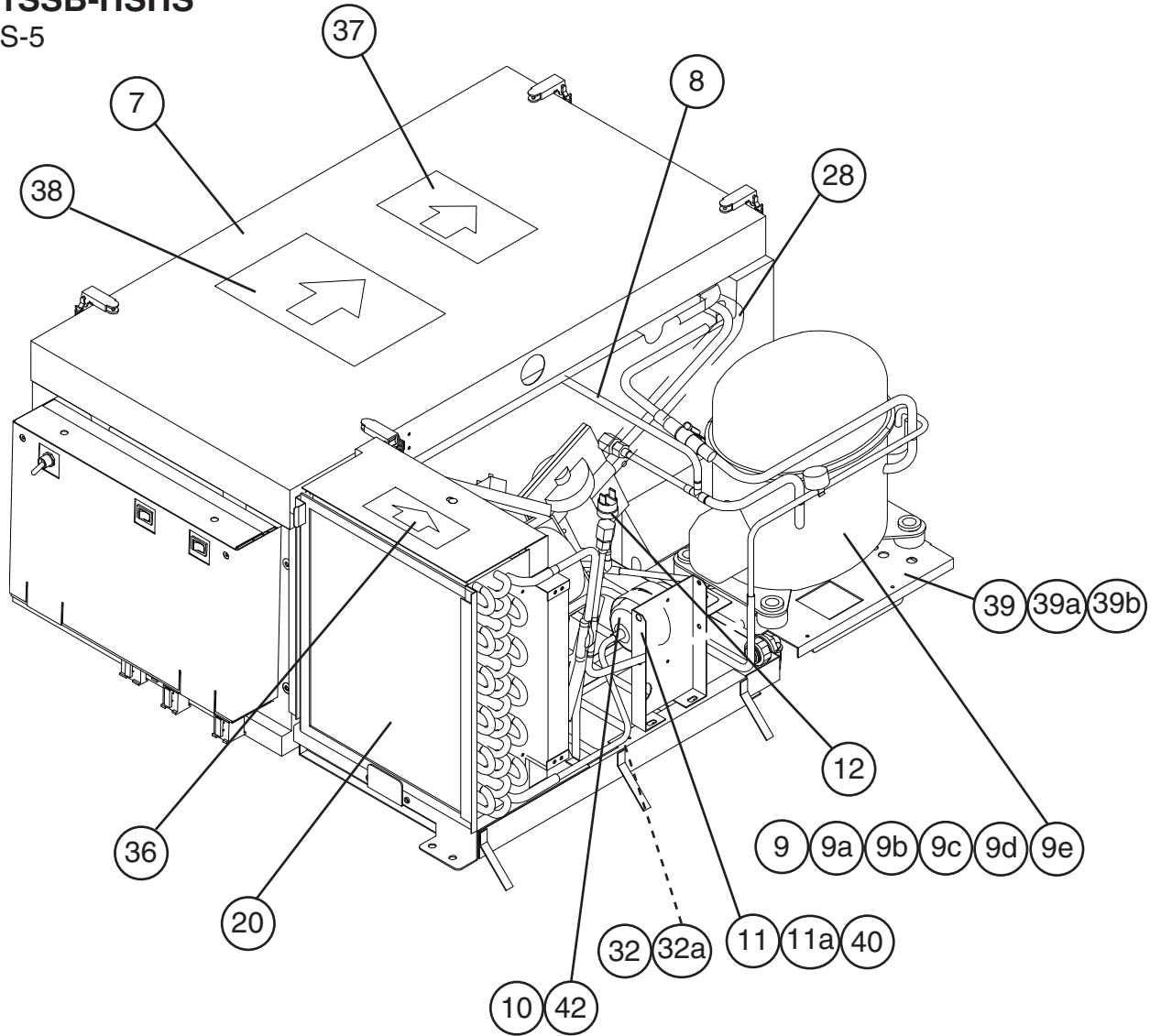


C. Refrigeration Circuit

2/2

**PTR1SSB-FGFG, PTR1SSB-HGHG, PTR1SSB-HGHS, PTR1SSB-FSFS,
PTR1SSB-HSHS**

R-5, S-5



Title: **C. Refrigeration Circuit** Model: **PTR1SSB-FGFG, PTR1SSB-HGHG, PTR1SSB-HGHS, PTR1SSB-FSFS, PTR1SSB-HSHS**

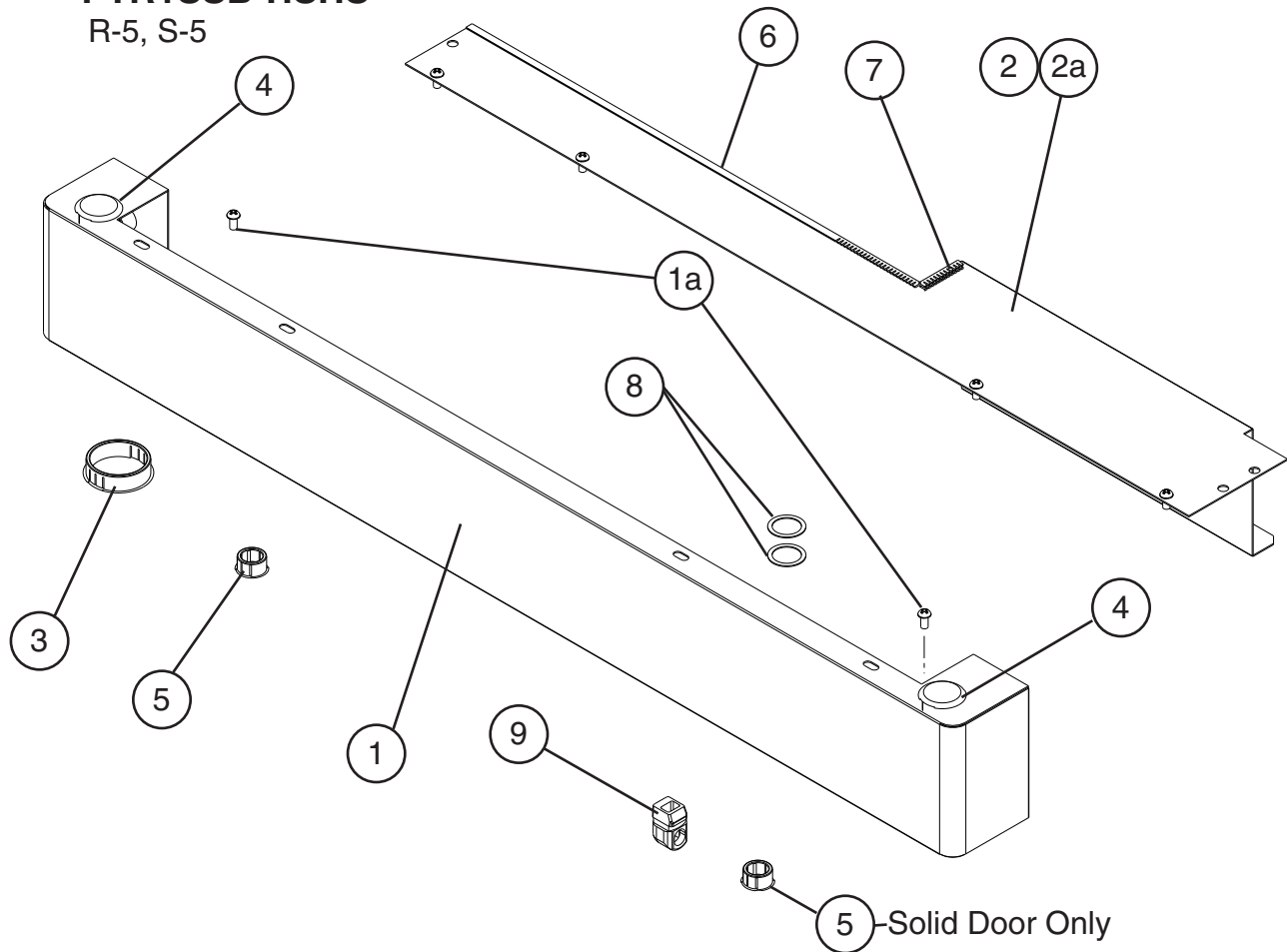
Index No.	Description	Material or Model Number	Part Number	Required Number																
				R-5 S-5																
J	Control Box Assembly	FGFG, HGHG, HGHS	2A1729A02	1																
		FSFS, HSHS	2A1729A03	1																
J1	Truss Head Screw	4x16, SS	7C32-0416	4																
K	Evaporator Assembly	-	2A0981A04	1																
K1	Truss Head Screw	4x20, SS	7C32-0420	2																
L	Fan-Evaporator Assembly	-	2A0980A01	1																
L1	Truss Head Screw	4x12, SS	7C32-0412	4																
M	Condenser Assembly	-	3A2611A01	1																
M1	T2 Screw	4x8, SS	7P32-0408	2																
N	Evaporator Drain Pan	-	3A0381A04	1																
1	Flat Washer	8	7W21-0800	2																
2	Hex Bolt	8x60	7B01-0860	4																
3	Split Lock Washer	8	7L21-0800	5																
4	Flat Washer	12	7W21-1200	3																
5	Hex Bolt	8x70	7B01-0870	1																
6	T2 Screw	4x20, SS	7P32-0420	2																
7	Cover-Evaporator Case	(1 section)	2A2726G01	1																
8	Process Assembly	-	3A2349G01	1																
9	Compressor	AST40C1E- IAA-202	4A2785-01	1																
9a	Grommet	-	4A2593-01	4																
9b	Spacer	-	4A2595-01	4																
9c	Hex Bolt	8x45	7B01-0845	4																
9d	Flat Washer	M8	7W21-0800	4																
9e	Split Lock Washer	M8	7L21-0800	4																
10	Drier (included in item 40)	-	4A0924-01	1																
11	Bracket-Drier (included in item 40)	-	4A4282-01	1																
11a	T2 Screw (included in item 40)	4x8	7P32-0408	2																
12	Pressure Switch (included in item 40)	-	4A2516-02	1																
13	Coil-Condensate	-	2A2496G01	1																
14	Pipe-Evaporator Drain	-	4A0831-01	1																
15	Wire Tie Twist	-	4A1223-01	2																
16	Thermistor-Cabinet	-	4A1429-01	1																
17	Thermistor Bracket	-	433964-01	1																
17a	Truss Head Screw	4x16, SS	7C32-0416	2																
18	Thermistor Bracket	-	433920-01	1																
19	Cable Tie	CV-200	8911-0200	5																
20	Filter-Condenser	Air Filter	3A0277-01	1																
21	Thermostat-Clean Filter	-	4A0484-02	1																
22	Insulation Tubing	L=90	7762-3555	1																
23	Holder-Expansion Valve	-	3A0107-01	1																
24	Insulation Tubing	L=730	7762-1330	1																

Title: C. Refrigeration Circuit Model: PTR1SSB-FGFG, PTR1SSB-HGHG, PTR1SSB-HGHS, PTR1SSB-FSFS, PTR1SSB-HSHS												
Index No.	Description	Material or Model Number	Part Number	Required Number								
				R-5 S-5								
25	Insulation Tubing	L=280	7762-1330	1								
26	Seal-Evaporator Tubing	-	4A3089-01	2								
27	Tube-Evaporator Compressor	-	3A2348-01	1								
28	Insulation Tubing	L=160	7762-1330	3								
29	Grommet Strip	L=33	4A1341L01	1								
30	Grommet Strip	L=29	4A1341L01	1								
31	Grommet Strip	L=236	4A1341L01	1								
32	Wire Clamp	-	4A0809-01	1								
32a	T2 Screw	4x8, SS	7P32-0408	1								
33	Hose Clamp	No# 6808	443461-01	1								
34	Draw Latch	-	4A3988-01	4								
34a	T2 Screw	4x8, SS	7P32-0408	8								
35	Catch-Latch	-	4A3987-01	4								
35a	Truss Head Screw	4x16, SS	7C32-0416	4								
36	Label-404A	-	4A0960-01	1								
37	Caution Label	-	4A1931-01	1								
38	Wiring Label	FGFG, HGHG, HGHS	2A2602-01	1								
		FSFS, HSHS	2A3994-01	1								
39	Base-Compressor	GS	2A2756G01	1								
39a	Truss Head Screw	4x16, SS	7C32-0416	1								
39b	Truss Head Screw	5x10, SS	7C32-0510	1								
40	Condenser-Expv	-	2A1257G02	1								
41	Evaporator Case	-	1A0712G05	1								
42	Nylon Tie (included in item 40)	-	8911-0301	1								

D. Control Panel Group-Front

**PTR1SSB-FGFG, PTR1SSB-HGHG, PTR1SSB-HGHS, PTR1SSB-FSFS,
PTR1SSB-HSHS**

R-5, S-5

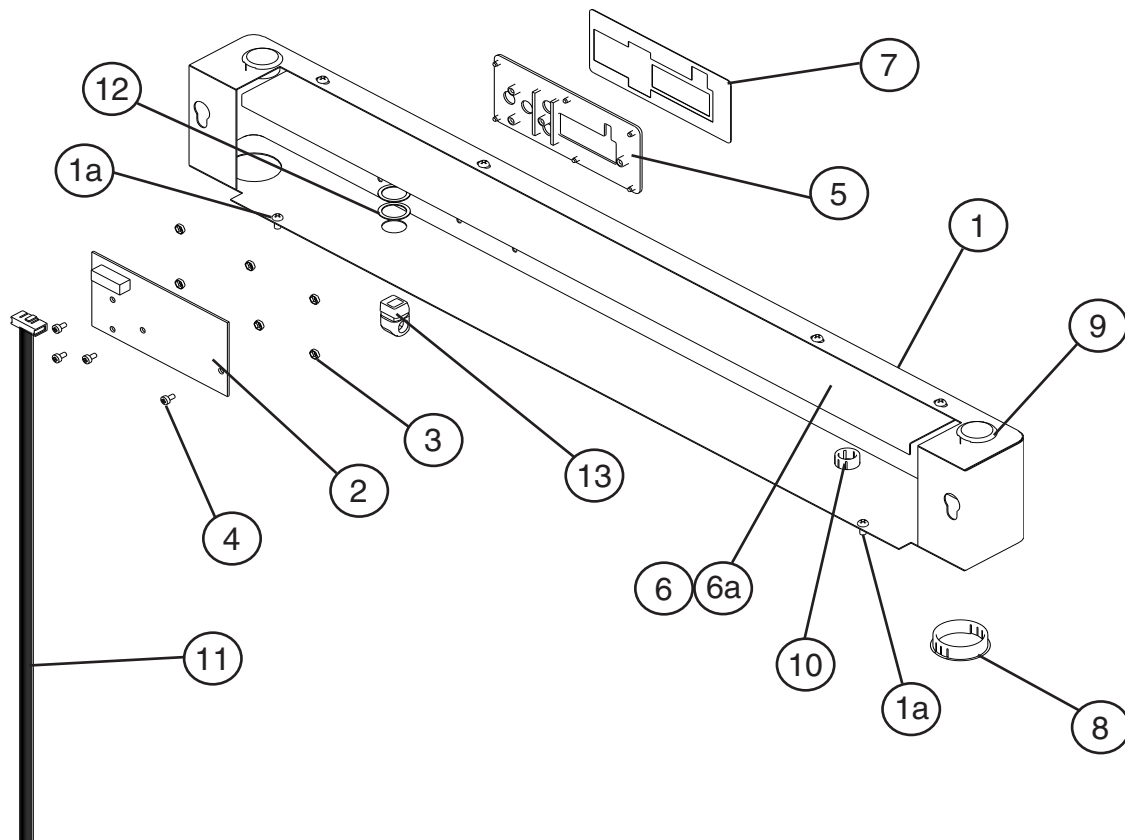


Title: D. Control Panel Group-Front Model: PTR1SSB-FGFG, PTR1SSB-HGHG, PTR1SSB-HGHS, PTR1SSB-FSFS, PTR1SSB-HSHS					Required Number							
Index No.	Description	Material or Model Number	Part Number	R-5 S-5								
1	Panel-Control	SS	1A0760-03	1								
1a	T2 Screw	4x8, SS	7P32-0408	2								
2	Cover Wires	GS	2A1033-01	1								
2a	T2 Screw	4x8, SS	7P32-0408	6								
3	Locking Hole Plug	-	4A0586-02	1								
4	Locking Hole Plug	-	4A0586-03	2								
5	Locking Hole Plug	FGFG, HGHG, HGHS	4A0586-04	1								
				2								
6	Grommet Strip	L=342	4A1341L01	1								
7	Grommet Strip	L=30	4A1341L01	1								
8	Washer	FGFG, HGHG, HGHS	4A2147-01	2								
9	Strain Relief	FGFG, HGHG, HGHS	4A2148-01	1								

E. Control Panel Group-Rear

**PTR1SSB-FGFG, PTR1SSB-HGHG, PTR1SSB-HGHS, PTR1SSB-FSFS,
PTR1SSB-HSHS**

R-5, S-5

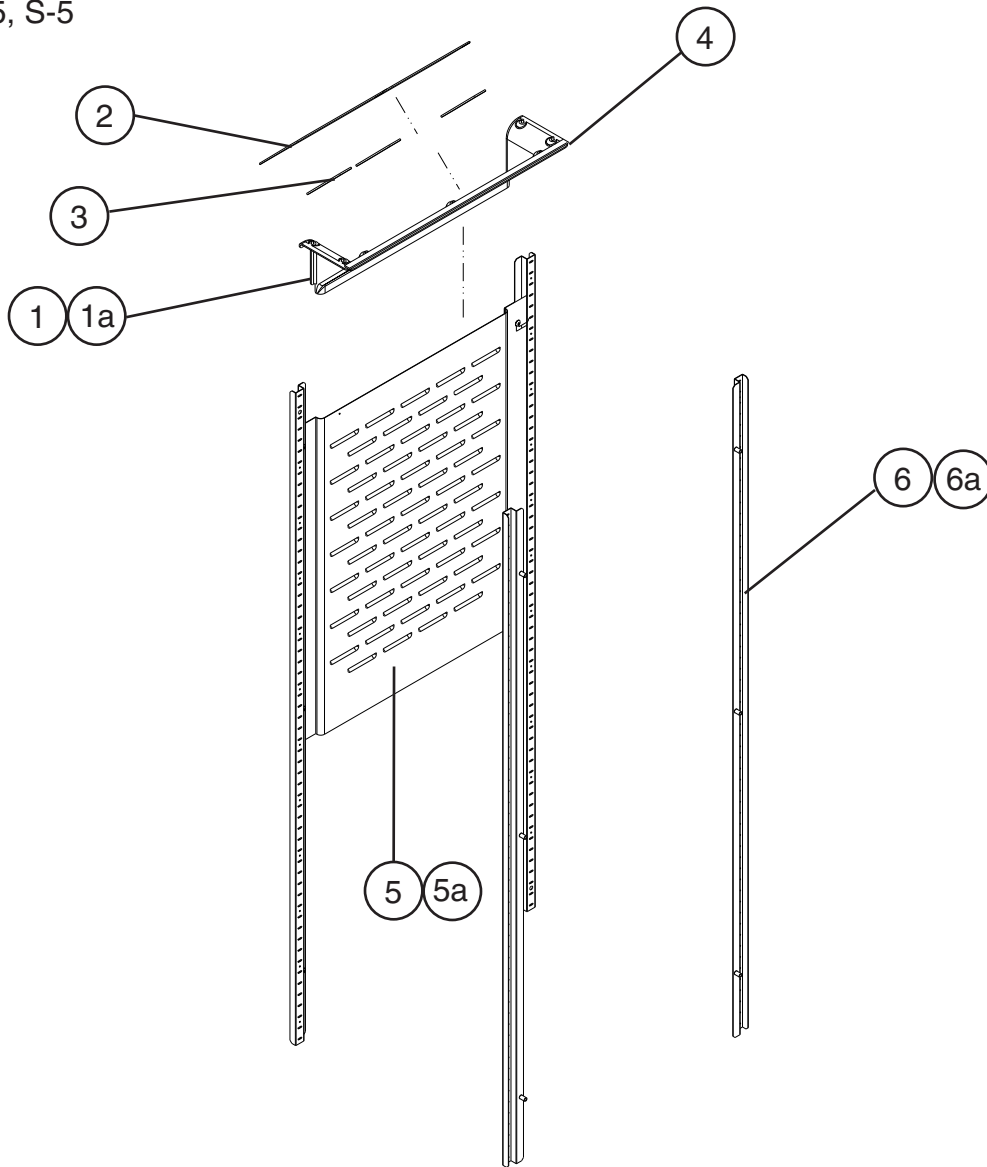


Title: E. Control Panel Group-Rear Model: PTR1SSB-FGFG, PTR1SSB-HGHG, PTR1SSB-HGHS, PTR1SSB-FSFS, PTR1SSB-HSHS																		
Index No.	Description	Material or Model Number	Part Number	Required Number														
				R-5	S-5													
1	Panel-Control	FGFG, HGHG	1A0760-05	1														
		HGHS, FSFS, HSHS	1A0760-01	1														
1a	T2 Screw	4x8, SS	7P32-0408	2														
2	Board-Display	-	2A0883-01	1														
3	Palnut	-	4A1398-01	6														
4	Nylon Screw	-	4A1397-01	4														
5	Mount-Display Board	-	3A0823-01	1														
6	Cover-Wire	GS	3A2577-01	1														
6a	T2 Screw	4x8, SS	7P32-0408	4														
7	Label-Display	-	3A2850-01	1														
8	Locking Hole Plug	-	4A0586-02	1														
9	Locking Hole Plug	-	4A0586-03	2														
10	Locking Hole Plug	FGFG, HGHG	4A0586-04	1														
11	Ribbon Cable	-	4A1106-03	1														
12	Washer	FGFG, HGHG	4A2147-01	2														
13	Strain Relief	FGFG, HGHG	4A2148-01	1														

F. Interior Assembly

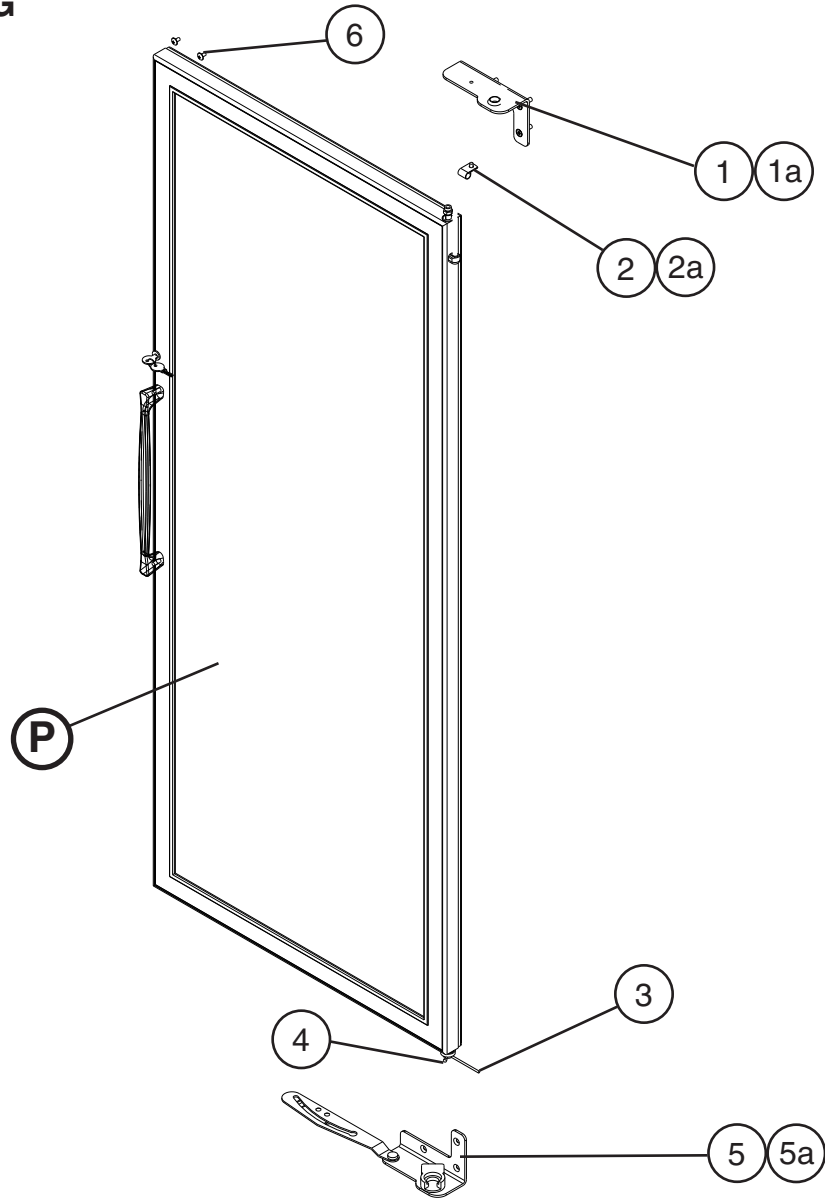
**PTR1SSB-FGFG, PTR1SSB-HGHG, PTR1SSB-HGHS, PTR1SSB-FSFS,
PTR1SSB-HSHS**

R-5, S-5



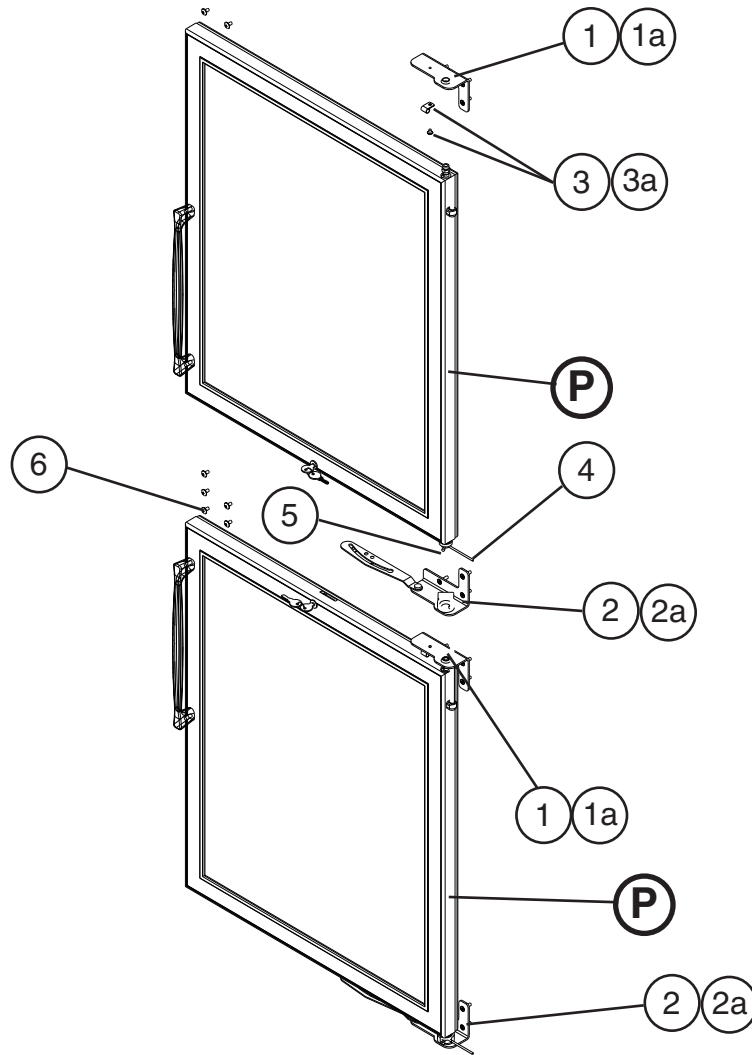
Title: F. Interior Assembly Model: PTR1SSB-FGFG, PTR1SSB-HGHG, PTR1SSB-HGHS, PTR1SSB-FSFS, PTR1-SSB-HSHS					Required Number										
Index No.	Description	Material or Model Number	Part Number	R-5											
				S-5											
1	Distributor-Air (Top)	ABS	2A0610-01	1											
2	Insulator-Air Distributor (A)	ABS	4A0833-01	1											
2a	T2 Screw	4x8, SS	7P32-0408	7											
3	Gasket	L=125	4A0808L01	3											
4	Gasket	L=1200	4A0808L02	1											
5	Distributor-Air (Bottom)	SS	2A0425-01	1											
5a	Truss Head Screw	5x10, SS	7C32-0510	6											
6	Pilaster	SS	3A2353-01	4											
6a	Truss Head Screw	5x10, SS	7C32-0510	6											

G. Door Assembly
PTR1SSB-FGFG
 S-5



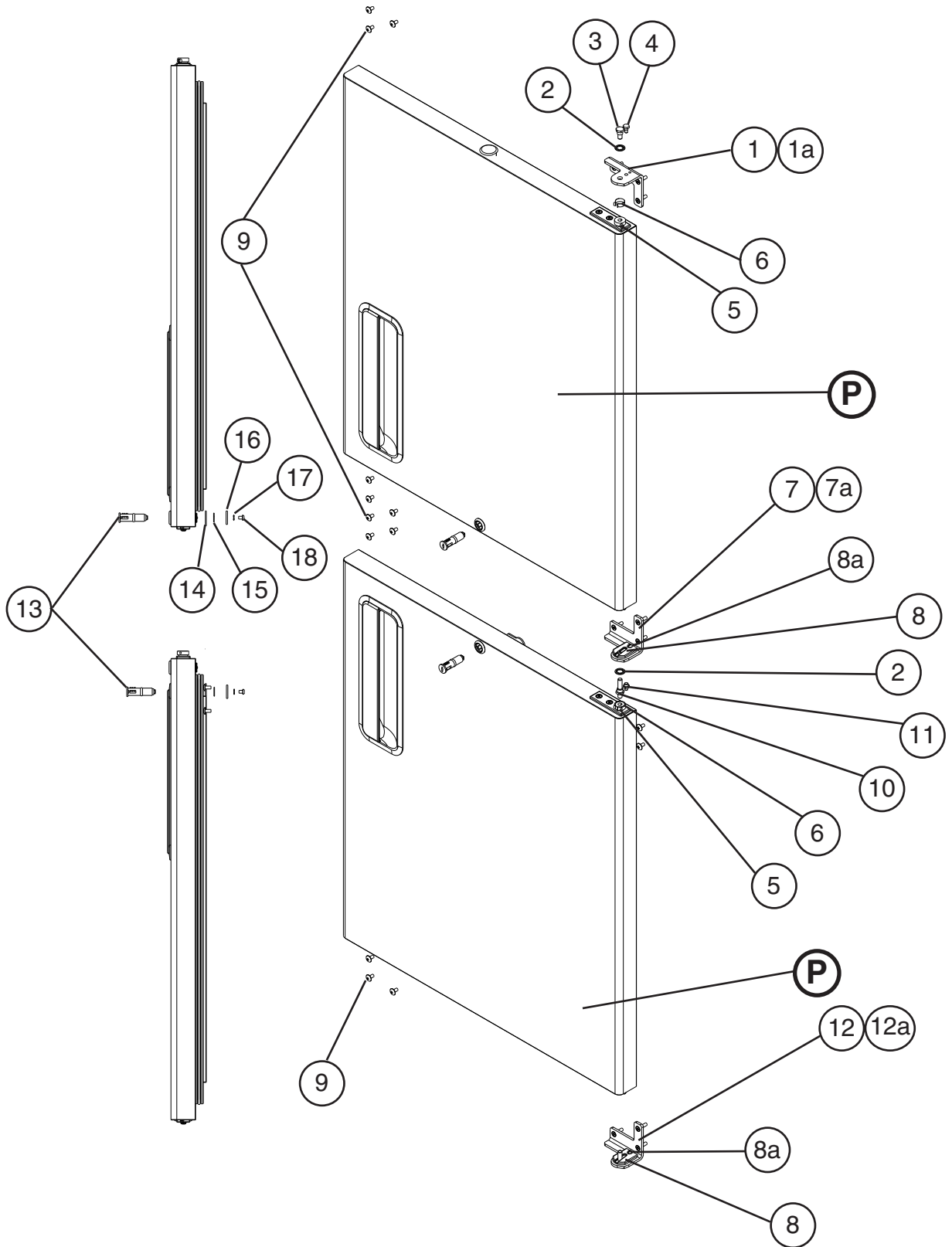
Title: G. Door Assembly Model: PTR1SSB-FGFG				Required Number							
Index No.	Description	Material or Model Number	Part Number	S-5							
				P	Door Sub-Assembly	FGFG	2A1720-02	1			
1	Hinge-Top Glass Door (Right)	-	3A1568-01	1							
1a	Screw-Countersunk	5x20, SS	7C42-0520	3							
2	Wire Clamp	-	4A0809-02	1							
2a	Truss Head Screw	4x6, SS	7C32-0406	1							
3	Crank	-	4A2068-01	2							
4	Pin	-	4A2071-01	1							
5	Hinge-Bottom Glass Door (Right)	-	3A1569-01	1							
5a	Screw-Countersunk	5x20, SS	7C42-0520	3							
6	Truss Head Screw (filler)	5x10, SS	7C32-0510	6							

G. Door Assembly
PTR1SSB-HGHG, PTR1-SSB-HGHS (HG)
 R-5, S-5



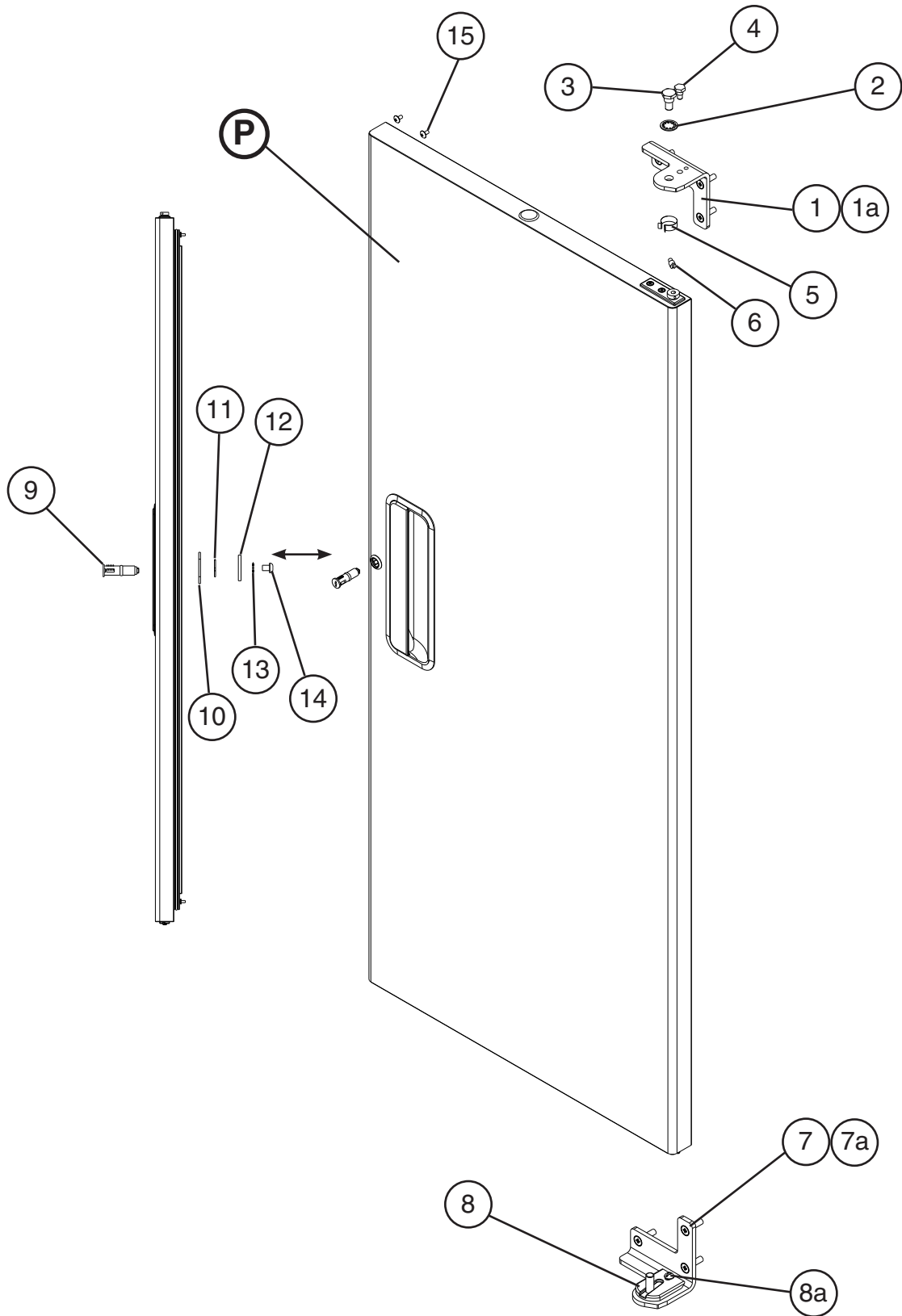
Title: G. Door Assembly Model: PTR1SSB-HGHG, PTR1SSB-HGHS (HG)															
Index No.	Description	Material or Model Number	Part Number	Required Number											
				R-5	S-5										
P	Door Sub-Assembly	HGHG, HGHS (HG, UR)	4A2967-02	1											
	Door Sub-Assembly	HGHG, HGHS, (HG, LR)	4A2967-04	1											
1	Hinge-Top Glass Door (Right)	-	3A1568-01	2											
1a	Screw-Countersunk	5x20, SS	7C42-0520	6											
2	Hinge-Bottom Glass Door (Right)	-	3A1569-01	2											
2a	Screw-Countersunk	5x20, SS	7C42-0520	6											
3	Wire Clamp	-	4A0809-02	2											
3a	Truss Head Screw	4x6, SS	7C32-0406	2											
4	Crank	-	4A2068-01	4											
5	Pin	-	4A2071-01	2											
6	Truss Head Screw (filler)	5x10, SS	7C32-0510	12											

G. Door Assembly
PTR1SSB-HGHS (HS), PTR1SSB-HSHS
 R-5, S-5



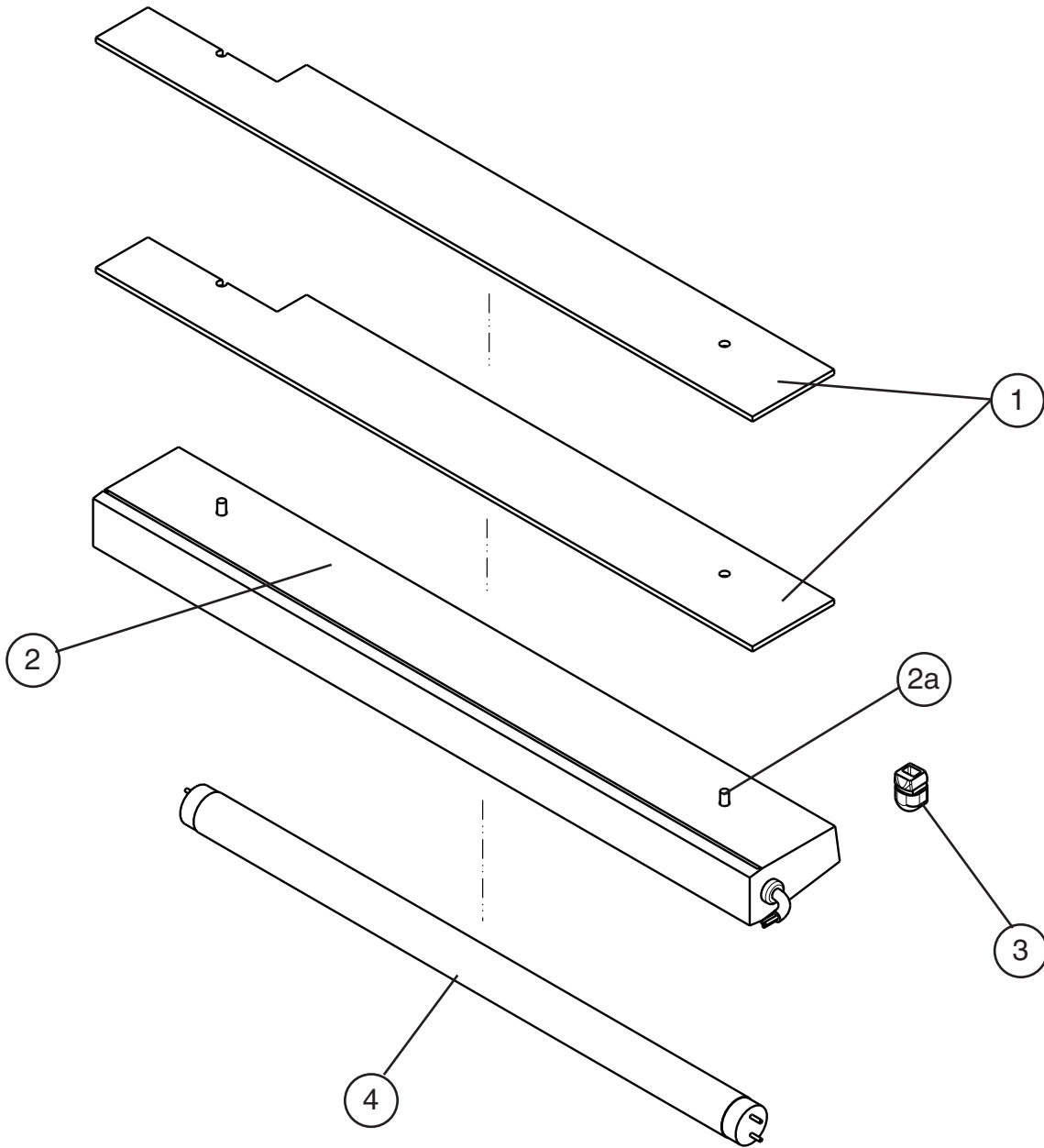
Title: G. Door Assembly Model: PTR1SSB-HGHS (HS), PTR1SSB-HSHS												
Index No.	Description	Material or Model Number	Part Number	Required Number								
				R-5	S-5							
P	Door Sub-Assembly	HGHS, HSHS (HS, UR)	2A3934G01	1								
	Door Sub-Assembly	HGHS, HSHS (HS, LR)	2A3935G01	1								
1	Bracket-Door Hinge (UR)	-	3A1580-01	1								
1a	Screw-Countersunk	5x20, SS	7C42-0520	3								
2	Hinge-Lock Washer	-	4A0553-01	2								
3	Hinge-Pivot Pin (Top)	-	4A2179-01	1								
4	Hinge-Stop Pin	-	4A2180-01	1								
5	Hinge-Tension Screw	-	4A0446-01	2								
6	Hinge-Bushing Cover	-	4A0445-01	2								
7	Bracket-Door Hinge (UL)	-	3A1581-01	1								
7a	Screw-Countersunk	5x20, SS	7C42-0520	3								
8	Hinge-Bottom Plate Female (R)	-	4A0441-01	2								
8a	Screw-Stop Plate	-	4A0483-01	2								
9	Truss Head Screw (filler)	5x10, SS	7C32-0510	15								
10	Pivot Pin	-	4A1735-01	1								
11	Stop Pin	-	4A1734-01	1								
12	Bracket-Door Hinge (LR)	-	3A1626-01	1								
12a	Screw-Countersunk	5x20, SS	7C42-0520	3								
13	Lock Tumbler (with key)	-	4A0462-01	2								
14	Washer Door Lock	SS	4A0670-01	2								
15	Lock-Stop Washer	-	4A0458-01	2								
16	Cam-Door Lock	-	4A0228-01	2								
17	Lock-Washer	-	4A0459-01	2								
18	Lock-Screw	-	4A0461-01	2								

G. Door Assembly
PTR1SSB-FSFS
S-5



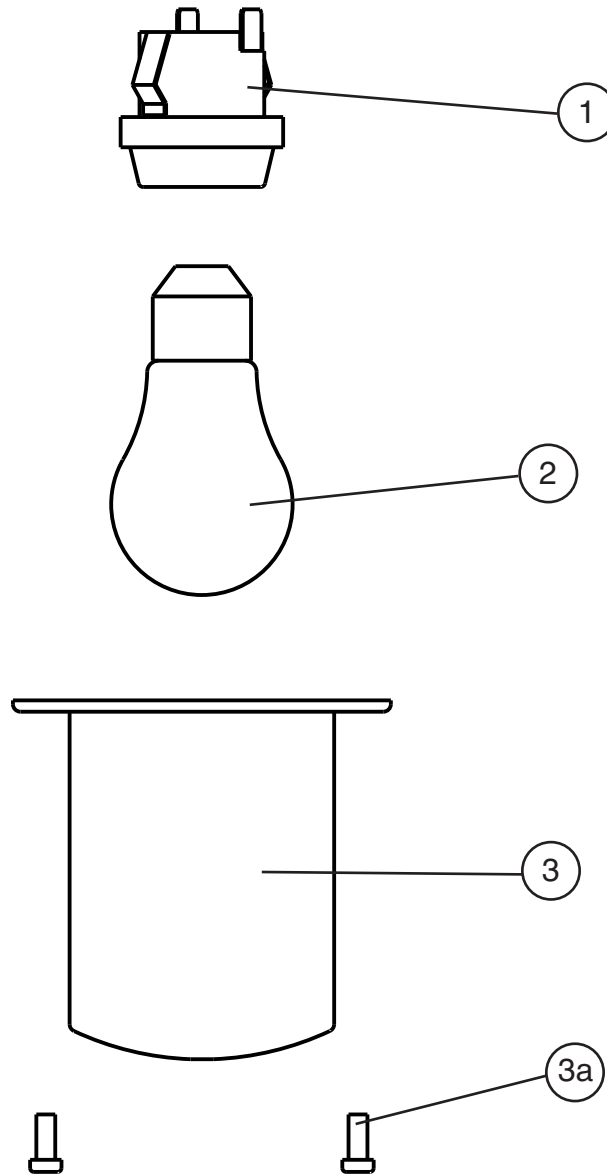
Title: G. Door Assembly Model: PTR1SSB-FSFS												
Index No.	Description	Material or Model Number	Part Number	Required Number								
				S-5								
P	Door-Sub-Assembly	FSFS	2A3940G01	1								
1	Bracket-Door Hinge (UR)	-	3A1580-01	1								
1a	Screw-Countersunk	5x20, SS	7C42-0520	3								
2	Hinge-Lock Washer	-	4A0553-01	1								
3	Hinge-Pivot Pin (Top)	-	4A2179-01	1								
4	Hinge-Stop Pin	-	4A2180-01	1								
5	Hinge-Bushing Cover	-	4A0445-01	1								
6	Hinge-Tension Screw	-	4A0446-01	1								
7	Bracket-Door Hinge (LR)	-	3A1626-01	1								
7a	Screw-Countersunk	5x20, SS	7C42-0520	3								
8	Hinge-Bottom Plate Female (R)	-	4A0441-01	1								
8a	Screw-Stop Plate	-	4A0483-01	1								
9	Lock Tumbler (with key)	-	4A0462-01	1								
10	Washer Door Lock	SS	4A0670-01	1								
11	Lock-Stop Washer	-	4A0458-01	1								
12	Cam-Door Lock	-	4A0228-01	1								
13	Lock-Washer	-	4A0459-01	1								
14	Lock-Screw	-	4A0461-01	1								
15	Truss Head Screw (filler)	5x10, SS	7C32-0510	6								

H. Light Group
PTR1SSB-FGFG, PTR1SSB-HGHG, PTR1SSB-HGHS
Fluorescent Light Group
 R-5, S-5



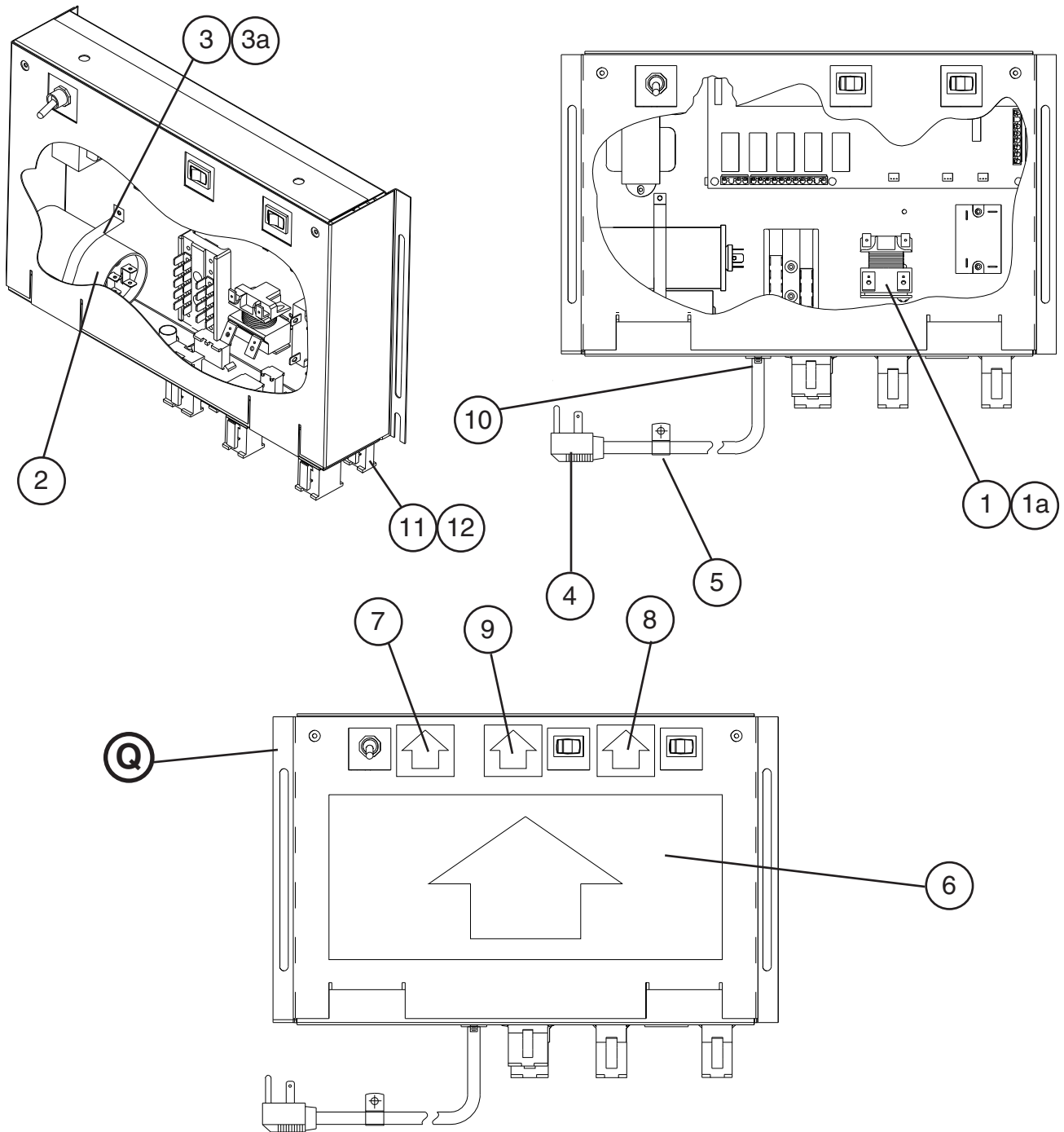
Title: H. Light Group Model: PTR1SSB-FGFG, PTR1SSB-HGHG, PTR1SSB-HGHS										
Index No.	Description	Material or Model Number	Part Number	Required Number						
				R-5	S-5					
1	Shim-Lampholder	ABS	4A2963-01	2						
2	Lampholder-Upper	-	3A2498G01	1						
2a	Truss Head Screw	5x10, SS	7C32-0510	2						
3	Strain Relief	-	4A2148-01	1						
4	Lamp-Fluorescent	-	4A2787-01	1						

H. Light Group
PTR1SSB-FSFS, PTR1SSB-HSHS
Incandescent Light Group
 S-5



Title: H. Light Group Model: PTR1SSB-FSFS, PTR1SSB-HSHS					Required Number							
Index No.	Description	Material or Model Number	Part Number	S-5								
1	Lamp Holder	-	4A2862-01	1								
2	Bulb-Light	-	4A2420-01	1								
3	Shield-Light	-	4A0465-01	1								
3a	Cheese Head Screw	SS	7C52-0512	2								

J. Control Box Assembly
PTR1SSB-FGFG, PTR1SSB-HGHG, PTR1SSB-HGHS, PTR1SSB-FSFS,
PTR1SSB-HSHS
 R-5, S-5



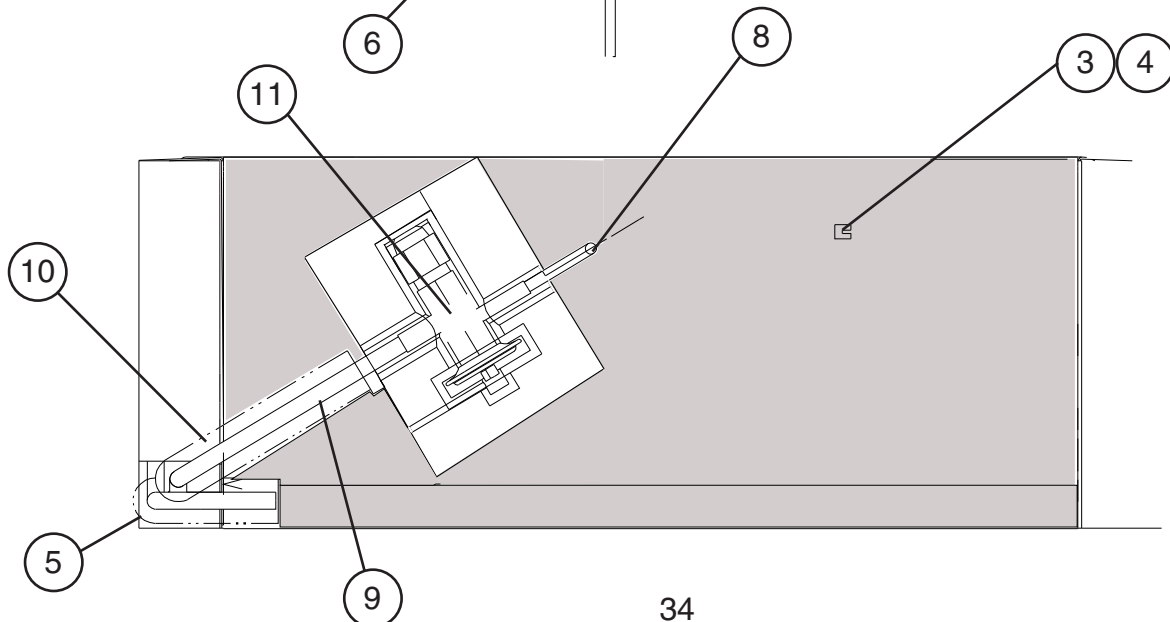
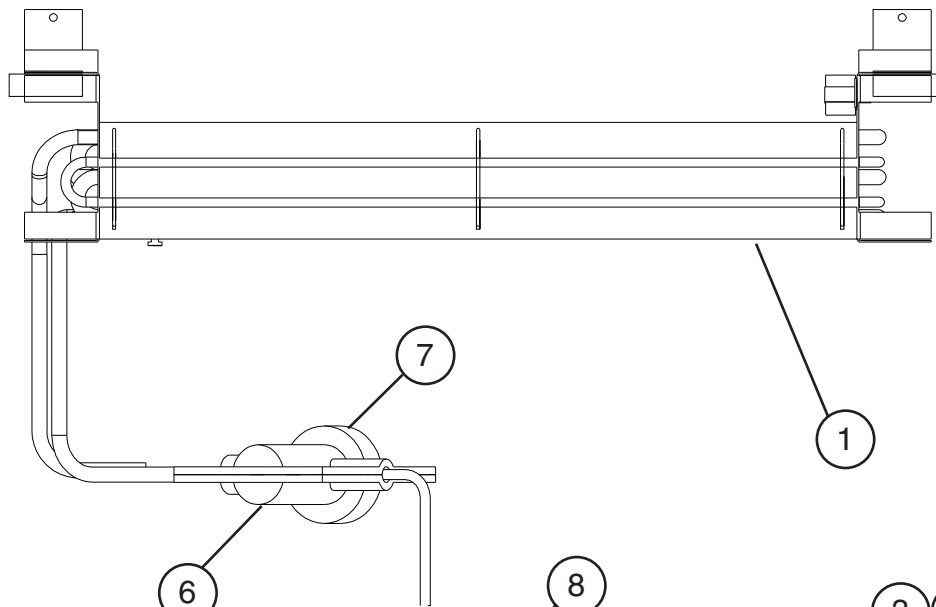
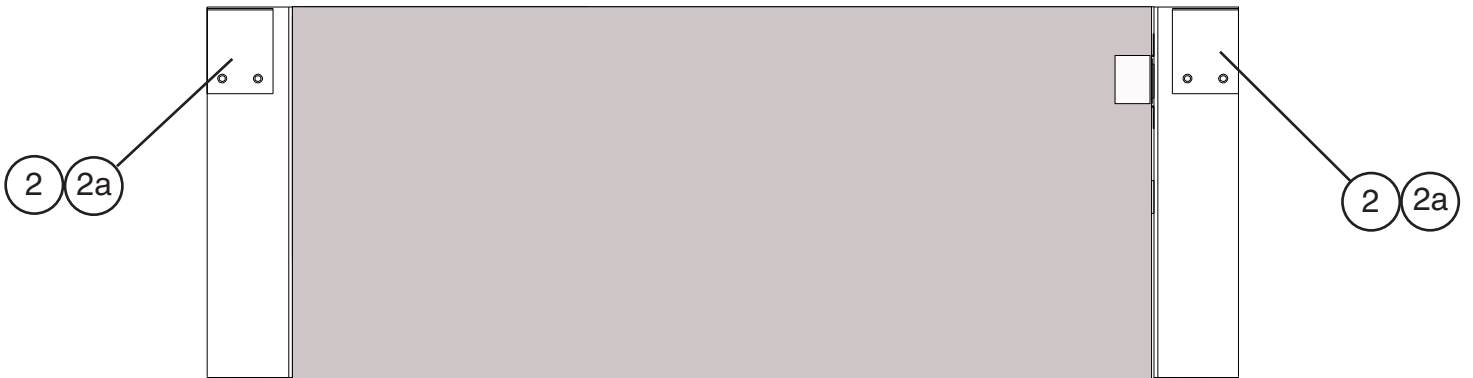
Title: **J. Control Box Assembly** Model: **PTR1SSB-FGFG, PTR1SSB-HGHG, PTR1SSB-HGHS, PTR1SSB-FSFS, PTR1SSB-HSHS**

Index No.	Description	Material or Model Number	Part Number	Required Number											
				R-5	S-5										
Q	Control Box-Common	FGFG, HGHG, HGHS	2A1147A02	1											
		FSFS, HSHS	2A1147A01	1											
1	Relay-Start	040-C016-03	4A2370-02	1											
1a	T2 Screw	4x8, SS	7P32-0408	1											
2	Capacitor-Start	145-174 MFD 250 V	4A2668-02	1											
3	Strap	GS	4A2262-02	1											
3a	T2 Screw	4x8, SS	7P32-0408	1											
4	Power Supply Cord	-	4A0520-01	1											
5	Wire Clamp	-	4A0809-02	1											
6	Label-Display Information	-	3A1413-01	1											
7	Label-On/Off	-	4A0522-01	1											
8	Label-Door/Heater Switch	-	4A1039-01	1											
9	Label-Glass Door Heater Switch	FGFG, HGHG, HGHS	4A2076-01	1											
10	Screw-Grounding	(M5)	433304-02	1											
11	Plug Housing	FSFS, HSHS	412832-06	1											
12	Receptacle Housing	FSFS, HSHS	412831-06	1											

K. Evaporator Assembly

PTR1SSB-FGFG, PTR1SSB-HGHG, PTR1SSB-HGHS, PTR1SSB-FSFS,
PTR1SSB-HSHS

R-5, S-5



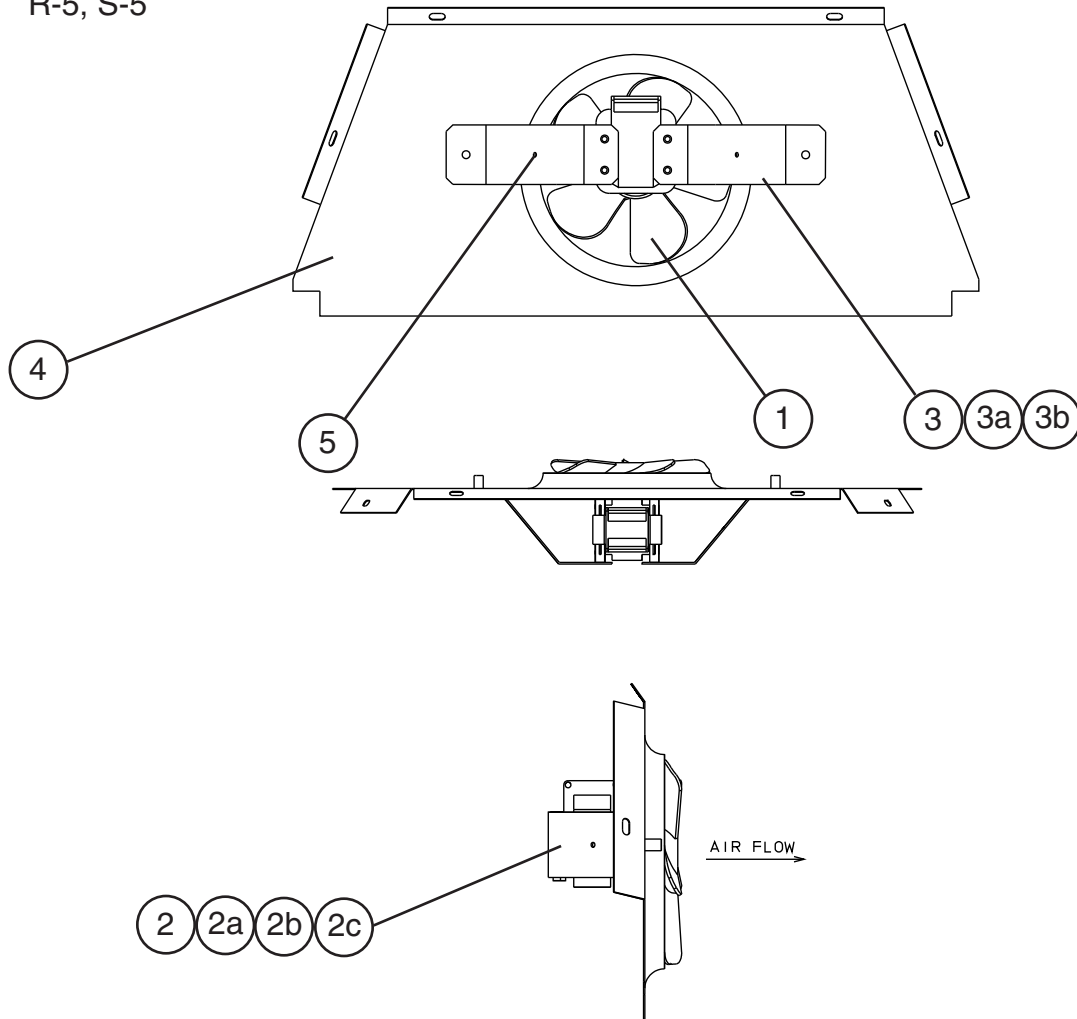
Title: **K. Evaporator Assembly** Model: **PTR1SSB-FGFG, PTR1SSB-HGHG, PTR1SSB-HGHS, PTR1SSB-FSFS, PTR1SSB-HSHS**

Index No.	Description	Material or Model Number	Part Number	Required Number											
				R-5	S-5										
1	Evaporator	-	2A0781-01	1											
2	Bracket-Evaporator	SS	4A2542-01	2											
2a	T2 Screw	4x8, SS	7P32-0408	4											
3	Thermistor Clip	-	320418-01	1											
4	Thermistor-Defrost	L=2300	4A1428-01	1											
5	Insulation Tube	L=655	7762-1030	1											
6	Expansion Valve Cover (A)	-	3A0372-01	1											
7	Expansion Valve Cover (B)	-	3A0372-02	1											
8	Tube-Liquid	-	4A2210-01	1											
9	Tube-Evaporator Inlet	-	4A1292-02	1											
10	Insulation Tube	L=365	7762-1030	1											
11	Expansion Valve	-	4A2859-01	1											

L. Fan-Evaporator Assembly

**PTR1SSB-FGFG, PTR1SSB-HGHG, PTR1SSB-HGHS, PTR1SSB-FSFS,
PTR1SSB-HSHS**

R-5, S-5

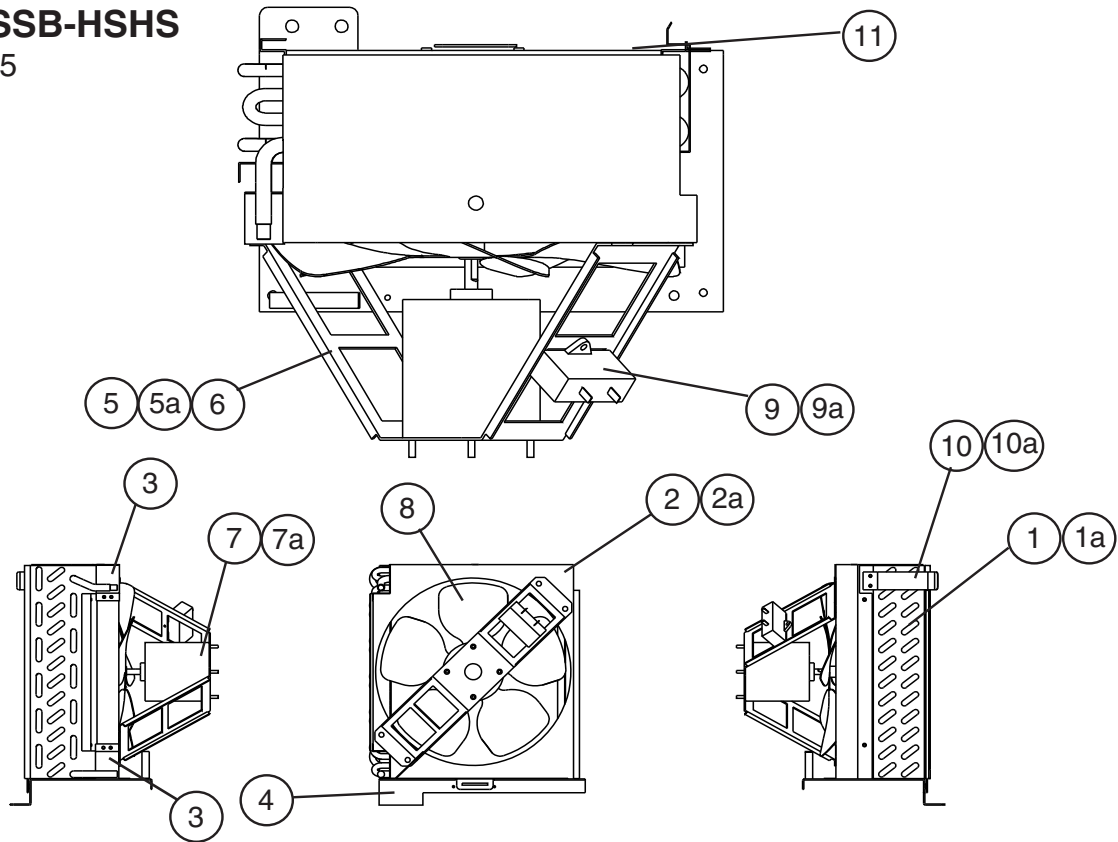


Title: L. Fan-Evaporator Assembly		Model: PTR1SSB-FGFG, PTR1SSB-HGHG, PTR1SSB-HGHS, PTR1SSB-FSFS, PTR1SSB-HSHS		Required Number									
Index No.	Description	Material or Model Number	Part Number	R-5	S-5								
1	Blade-Fan	-	4A2378-01	1									
2	Motor-Fan Motor	-	4A2563-01	1									
2a	Split Lock Washer	M4, SS	7L22-0400	4									
2b	Hex Nut	M4, SS	7N12-0400	4									
2c	Truss Head Screw	4x40, SS	7C32-0440	4									
3	Bracket-Fan Motor	SS	3A2501-01	2									
3a	Lock-Washer	-	4A0459-01	2									
3b	Truss Head Screw	5x12, SS	7C32-0512	2									
4	Shroud, Evaporator Fan	SS	2A0846-01	1									
5	Wire Tie Twist	-	4A1223-01	1									

M. Condenser Assembly

**PTR1SSB-FGFG, PTR1SSB-HGHG, PTR1SSB-HGHS, PTR1SSB-FSFS,
PTR1SSB-HSHS**

R-5, S-5



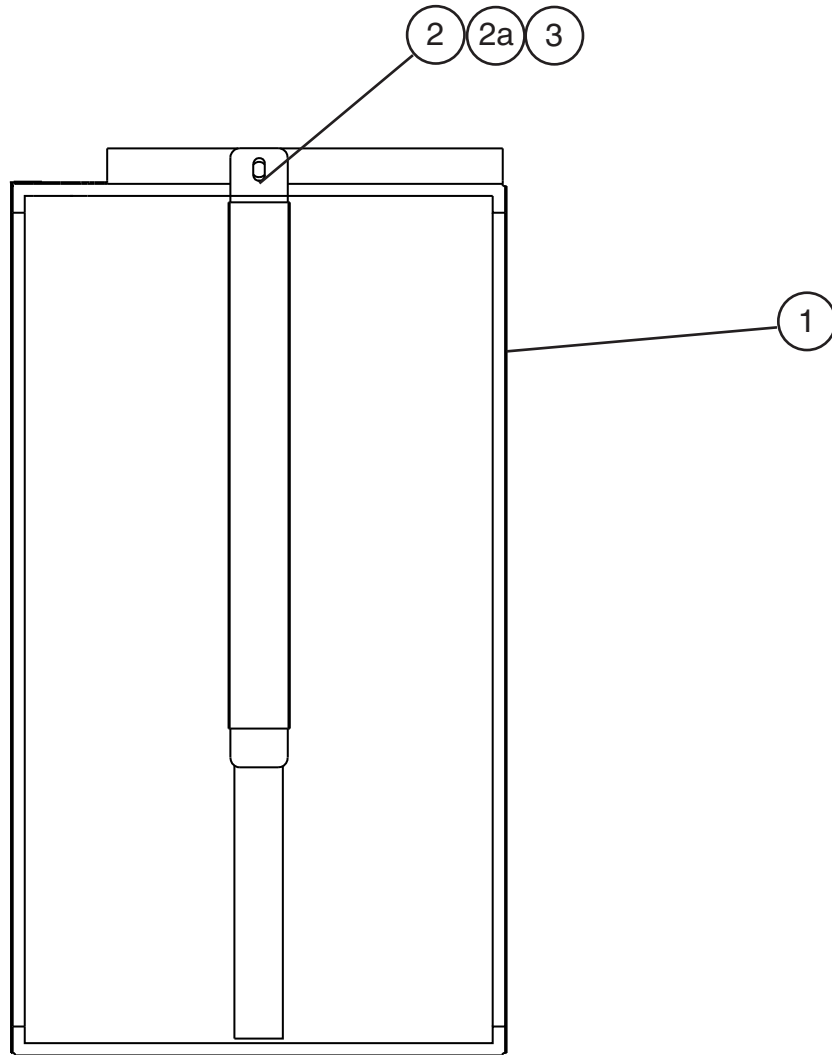
Title: **M. Condenser Assembly** Model: **PTR1SSB-FGFG, PTR1SSB-HGHG, PTR1SSB-HGHS, PTR1SSB-FSFS,
PTR1SSB-HSHS**

Index No.	Description	Material or Model Number	Part Number	Required Number														
				R-5	S-5													
1	Condenser	-	2A0782-01	1														
1a	T2 Screw	4x8, SS	7P32-0408	4														
2	Shroud-Condenser	GS	2A2723-01	1														
2a	T2 Screw	4x8, SS	7P32-0408	4														
3	Clip-Condenser Shroud	GS	4A2987-01	2														
4	Base-Condenser	GS	2A2724G01	1														
5	Bracket-Motor	GS	3A2352-01	1														
5a	Truss Head Screw	5x10, SS	7C32-0510	4														
6	Cable Tie	CV-200	8911-0200	1														
7	Fan Motor	(50 Watt)- GEHI	4A3158-01	1														
7a	Self-Locking Nut	No.8-32	7N2110832	4														
8	Blade-Fan	-	4A1865-01	1														
9	Capacitor	5.0 MFD, 250 V	443192-02	1														
9a	T2 Screw	4x8, SS	7P32-0408	1														
10	Retainer-Filter	SS	4A0790-01	1														
10a	T2 Screw	4x8, SS	7P32-0408	2														

N. Evaporator Drain Pan

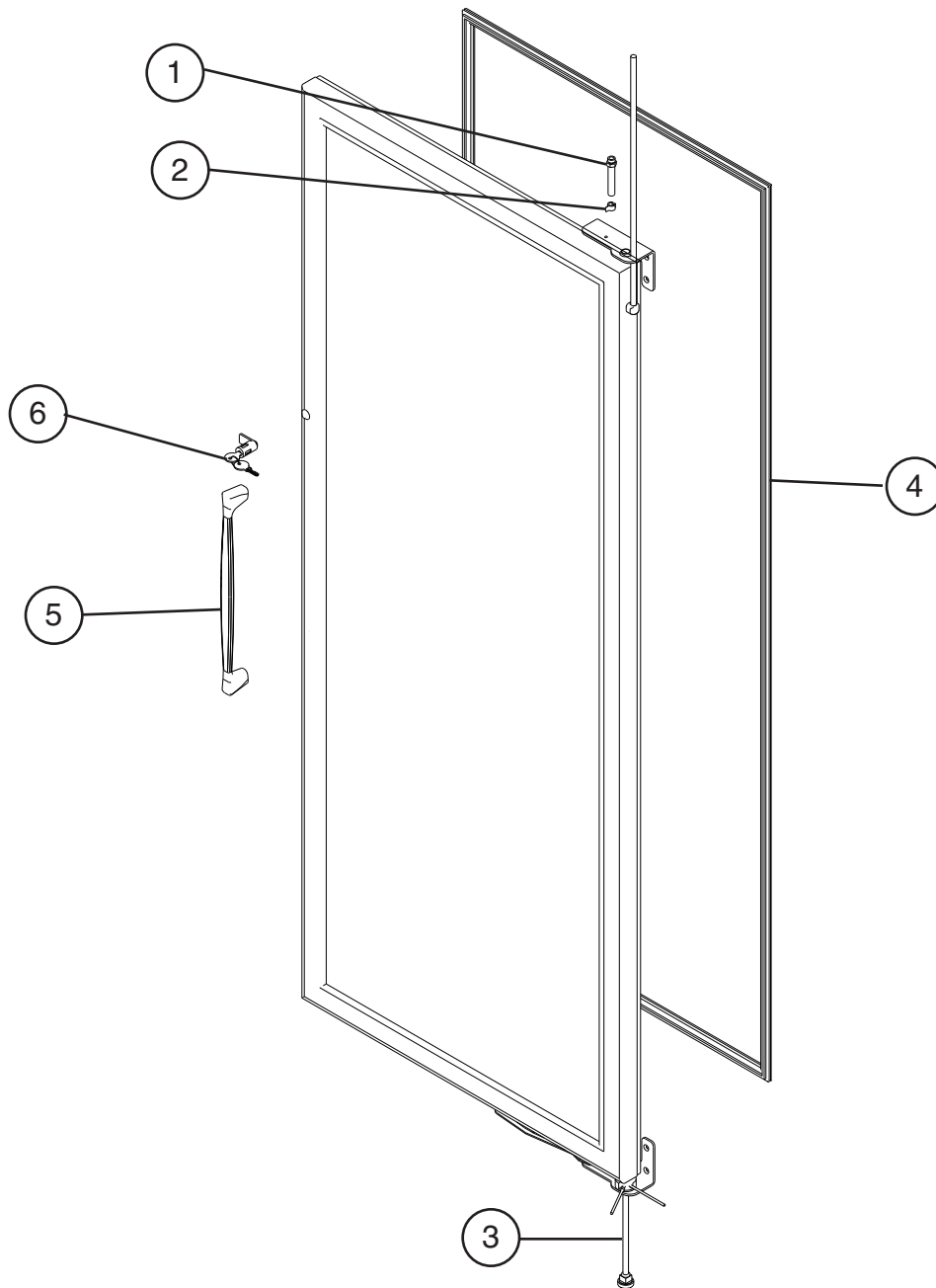
**PTR1SSB-FGFG, PTR1SSB-HGHG, PTR1SSB-HGHS, PTR1SSB-FSFS,
PTR1SSB-HSHS**

R-5, S-5



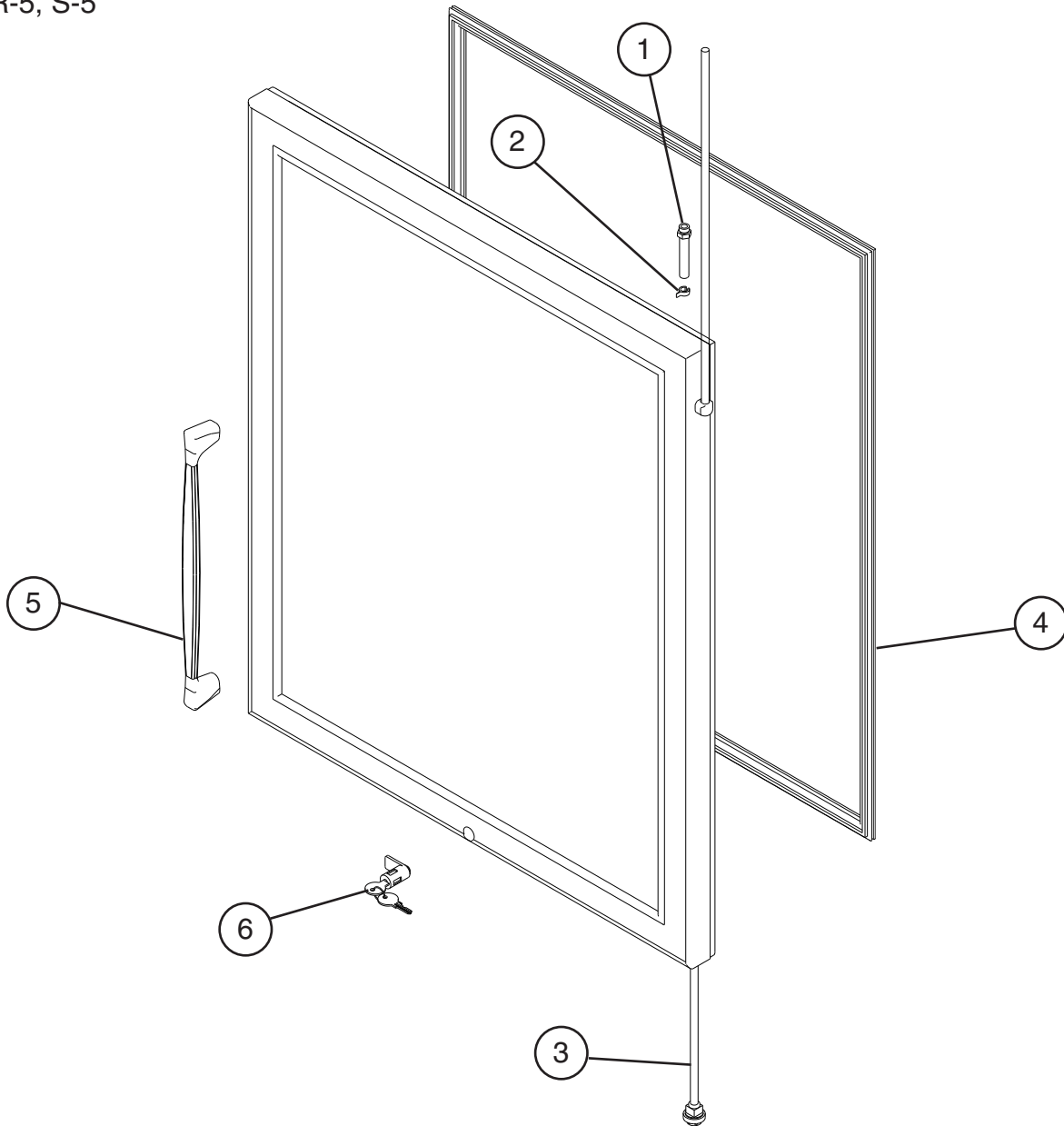
Title: N. Evaporator Drain Pan Model: PTR1SSB-FGFG, PTR1SSB-HGHG, PTR1SSB-HGHS, PTR1SSB-FSFS, PTR1SSB-HSHS												
Index No.	Description	Material or Model Number	Part Number	Required Number								
				R-5	S-5							
1	Pan Evaporator Drain	SS	2A0616-03	1								
2	Strap-Condensate Coil	SS	3A0232-03	1								
2a	Truss Head Screw	5x12, SS	7C32-0512	1								
3	Gasket-Condenser Coil	-	4A0455-03	1								

P. Door Sub-Assembly
PTR1SSB-FGFG
 S-5



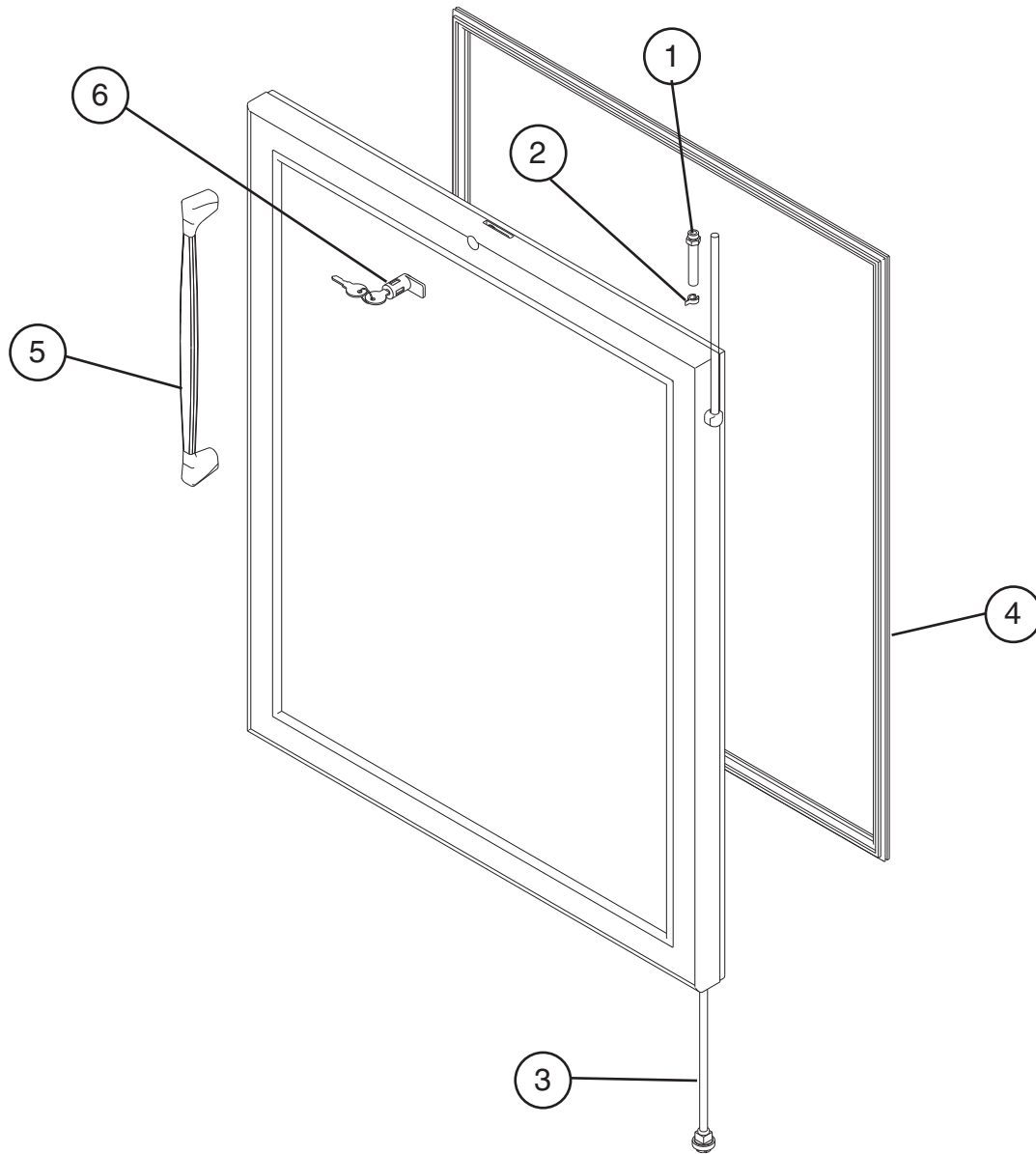
Title: P. Door Sub-Assembly		Model: PTR1SSB-FGFG		Required Number								
Index No.	Description	Material or Model Number	Part Number	S-5								
1	Pin-Glass Door	-	4A2047-01	1								
2	Clip-Glass Door	-	4A2048-01	1								
3	Rod-Torque	-	4A2072-01	1								
4	Gasket-Glass Door	-	4A2052-01	1								
5	Handle-Glass Door	-	4A2106-01	1								
6	Lock-Cylinder (with key)	-	4A2919-01	1								

P. Door Sub-Assembly
PTR1SSB-HGHG (UR), PTR1SSB-HGHS (HG, UR)
 R-5, S-5



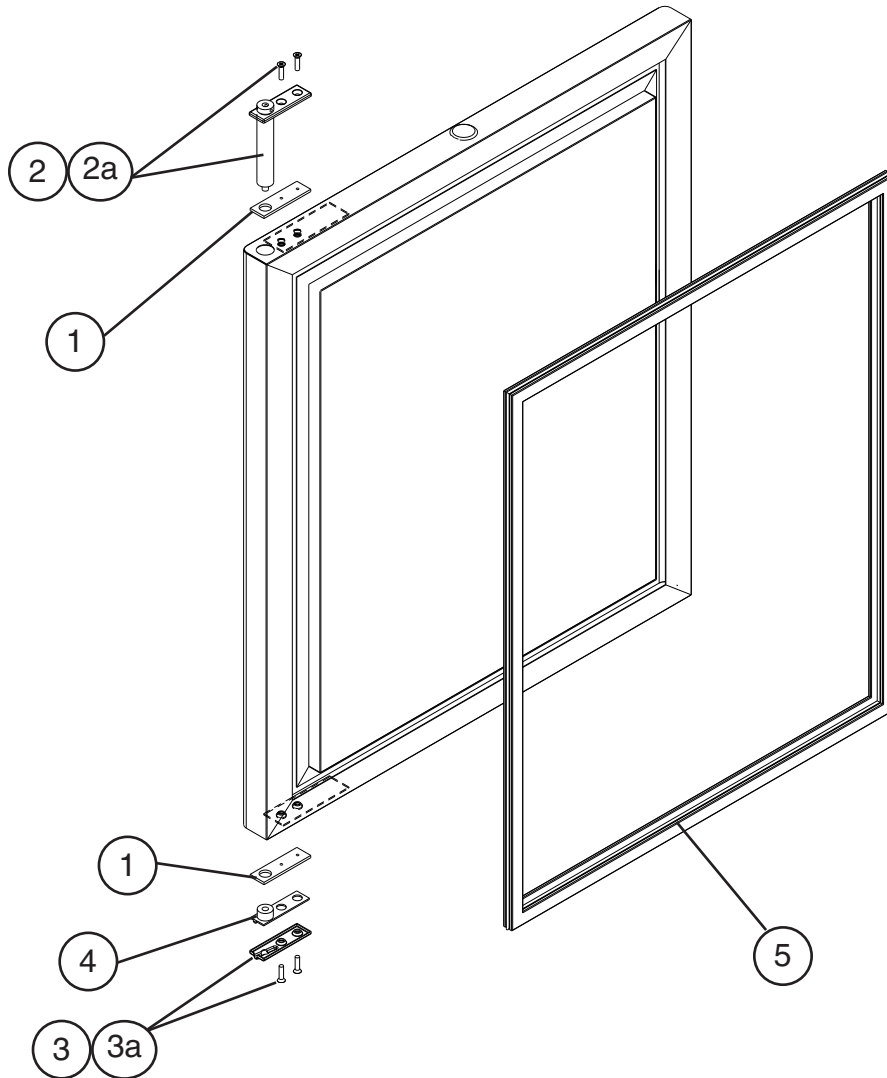
Title: P. Door Sub-Assembly Model: PTR1SSB-HGHG (UR), PTR1SSB-HGHS (HG, UR)					Required Number								
Index No.	Description	Material or Model Number	Part Number	R-5	S-5								
1	Pin-Glass Door	-	4A2047-01	1									
2	Clip-Glass Door	-	4A2048-02	1									
3	Rod-Torque	-	4A2072-02	1									
4	Gasket-Glass Door	-	4A2052-03	1									
5	Handle-Glass Door	-	4A2106-01	1									
6	Lock-Cylinder (with key)	-	4A2919-01	1									

P. Door Sub-Assembly
PTR1SSB-HGHG (LR), PTR1SSB-HGHS (HG, LR)
 R-5, S-5



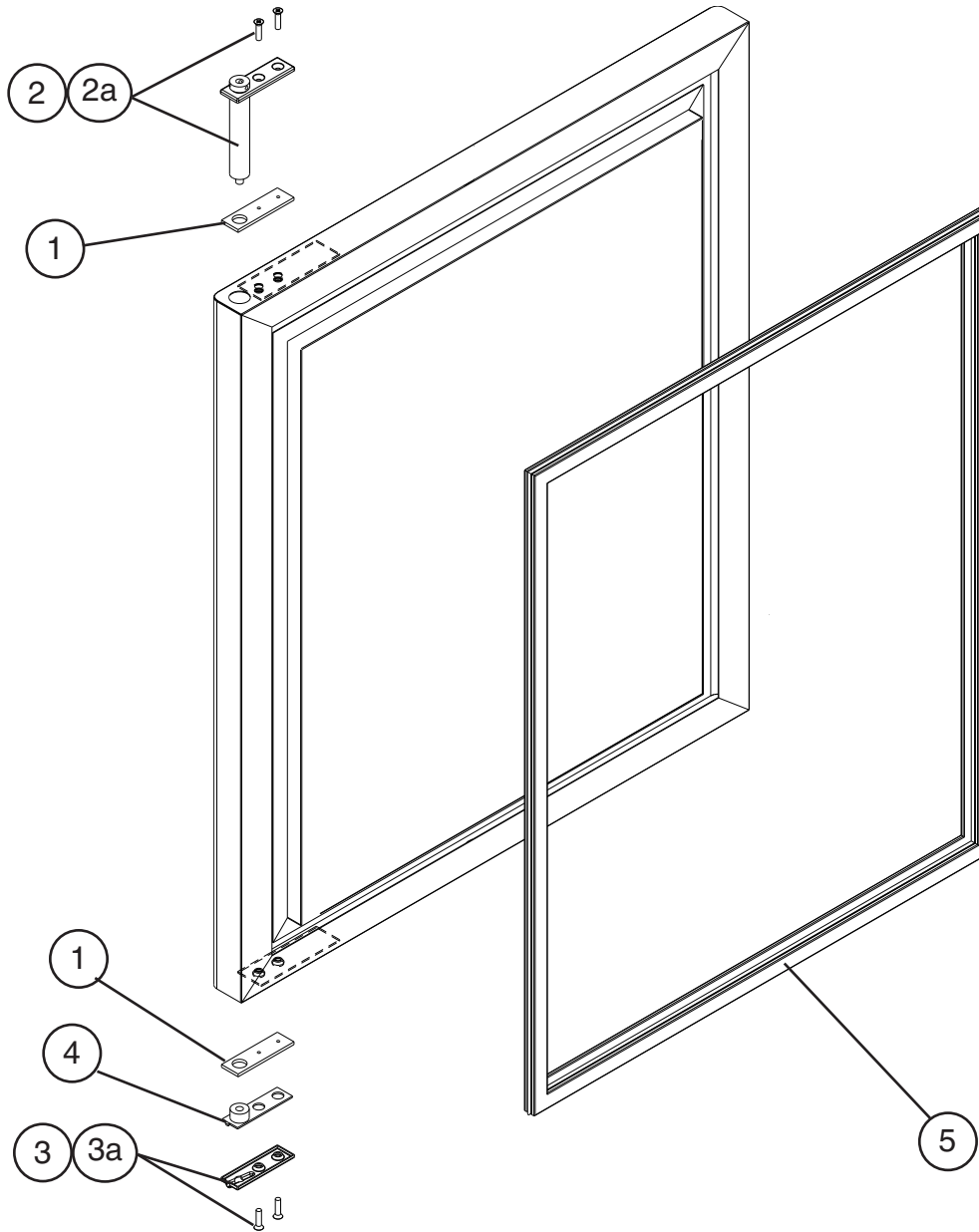
Title: P. Door Sub-Assembly		Model: PTR1SSB-HGHG (LR), PTR1SSB-HGHS (HG, LR)		Required Number										
Index No.	Description	Material or Model Number	Part Number	R-5										
				S-5										
1	Pin-Glass Door	-	4A2047-01	1										
2	Clip-Glass Door	-	4A2048-02	1										
3	Rod-Torque	-	4A2072-02	1										
4	Gasket-Glass Door	-	4A2052-03	1										
5	Handle-Glass Door	-	4A2106-01	1										
6	Lock-Cylinder (with key)	-	4A2919-01	1										

P. Door Sub-Assembly
PTR1SSB-HGHS (HS, UR), PTR1SSB-HSHS (UR)
 R-5, S-5



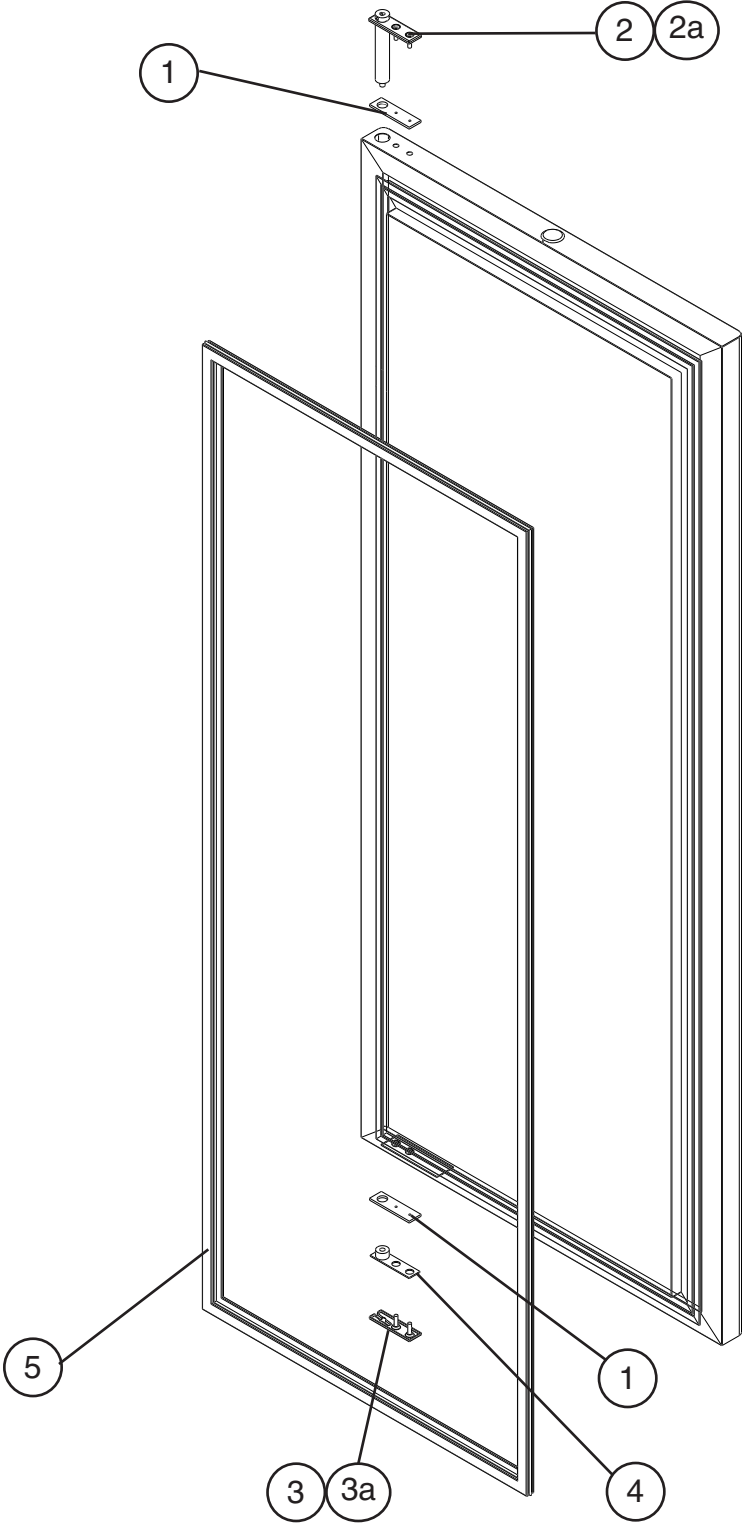
Title: P. Door Sub-Assembly		Model: PTR1SSB-HGHS (HS, UR), PTR1SSB-HSHS (UR)		Required Number							
Index No.	Description	Material or Model Number	Part Number	R-5	S-5						
1	Foam Pad	-	4A2257-01	2							
2	Hinge-Spring Cartridge (R)	-	4A0438-01	1							
2a	Screw-Countersunk	5x20, SS	7C42-0520	2							
3	Hinge-Bottom Plate Male (R)	-	4A0440-01	1							
3a	Screw-Countersunk	5x20, SS	7C42-0520	2							
4	Hinge-Bottom Bushing (R)	-	4A0439-01	1							
5	Gasket-Door (Half)	-	3A0273-02	1							

P. Door Sub-Assembly
PTR1SSB-HGHS (HS, LR), PTR1SSB-HSHS (LR)
 R-5, S-5



Title: P. Door Sub-Assembly Model: PTR1SSB-HGHS (HS, LR), PTR1SSB-HSHS (LR)					Required Number										
Index No.	Description	Material or Model Number	Part Number	R-5											
				S-5											
1	Foam Pad	-	4A2257-01	2											
2	Hinge-Spring Cartridge (R)	-	4A0438-01	1											
2a	Screw-Countersunk	5x20, SS	7C42-0520	2											
3	Hinge-Bottom Plate Male (R)	-	4A0440-01	1											
3a	Screw-Countersunk	5x20, SS	7C42-0520	2											
4	Hinge-Bottom Bushing (R)	-	4A0439-01	1											
5	Gasket-Door (Half)	-	3A0273-02	1											

P. Door Sub-Assembly
PTR1SSB-FSFS
S-5

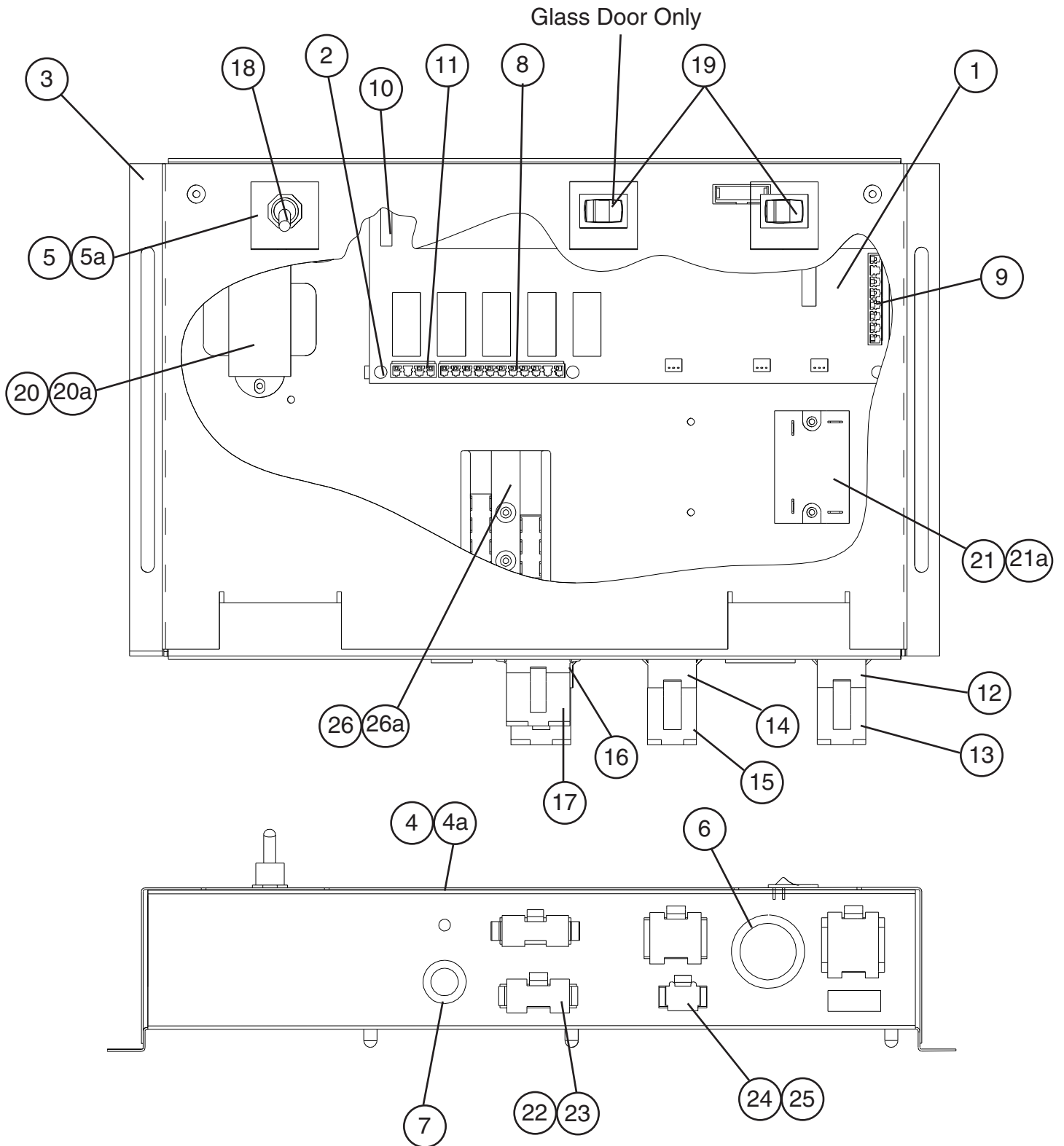


Title: P. Door Sub-Assembly Model: PTR1SSB-FSFS												
Index No.	Description	Material or Model Number	Part Number	Required Number								
				S-5								
1	Foam Pad	-	4A2257-01	2								
2	Hinge-Spring Cartridge (R)	-	4A0438-01	1								
2a	Screw-Countersunk	5x20, SS	7C42-0520	2								
3	Hinge-Bottom Plate Male (R)	-	4A0440-01	1								
3a	Screw-Countersunk	5x20, SS	7C42-0520	2								
4	Hinge-Bottom Bushing (R)	-	4A0439-01	1								
5	Gasket-Door	-	3A0273-01	1								

Q. Common Control Box

PTR1SSB-FGFG, PTR1SSB-HGHG, PTR1SSB-HGHS, PTR1SSB-FSFS,
PTR1SSB-HSHS

R-5, S-5



Title: **Q. Common Control Box** Model: **PTR1SSB-FGFG, PTR1SSB-HGHG, PTR1SSB-HGHS, PTR1SSB-FSFS, PTR1SSB-HSHS**

Index No.	Description	Material or Model Number	Part Number	Required Number																
				R-5	S-5															
1	Control Board	-	2A2862-23	1																
2	Board Support	CBLS37-M	4A0336-03	6																
3	Base-Control Box	GS	2A1146-01	1																
4	Cover-Control Box	FGFG, HGHG, HGHS	2A1031-02	1																
		FSFS, HSHS	2A1031-01	1																
4a	T2 Screw	4x8, SS	7P32-0408	2																
5	Switch-Bracket	GS	2A1032-02	1																
5a	T2 Screw	4x8, SS	7P32-0408	2																
6	Bushing	SB-1093-15	420470-03	1																
7	Bushing	SB-625-8	420470-01	1																
8	Board Connector	5198-10	434003-05	1																
9	Board Connector	5198-07	434003-07	1																
10	Board Connector	5198-03	434003-09	1																
11	Board Connector	5198-03 Red	434003-11	1																
12	Plug Housing	9P	412832-02	1																
13	Receptacle Housing	9P 3191-09R1	412831-02	1																
14	Plug Housing	6P 3191-06-P	412832-03	1																
15	Receptacle Housing	6P	412831-03	1																
16	Plug Housing	3P 03-12-1036	4A0425-01	1																
17	Receptacle Housing	3P 03-12-1035	4A0426-01	1																
18	Switch-Toggle	-	4A0424-01	1																
19	Switch-Rocker	FGFG, HGHG, HGHS	4A0418-01	2																
		FSFS, HSHS		1																
20	Transformer	-	3A1759-01	1																
20a	Tapping Screw	3x8	431415-01	2																
21	Compressor Relay	-	4A1307-01	1																
21a	Tapping Screw	3x8	431415-01	2																
22	Plug Housing	4P 3191-04-P	412832-05	1																
23	Receptacle Housing	4P 3191-04R1	412831-05	1																
24	Plug Housing	2P 3191-02P	412832-07	1																
25	Receptacle Housing	2P 3191-02R1	412831-07	1																
26	Terminal Block	ESB2-323-424	4A2619-01	1																
26a	Tapping Screw	3x8	431415-01	2																

Free Manuals Download Website

<http://myh66.com>

<http://usermanuals.us>

<http://www.somanuals.com>

<http://www.4manuals.cc>

<http://www.manual-lib.com>

<http://www.404manual.com>

<http://www.luxmanual.com>

<http://aubethermostatmanual.com>

Golf course search by state

<http://golfingnear.com>

Email search by domain

<http://emailbydomain.com>

Auto manuals search

<http://auto.somanuals.com>

TV manuals search

<http://tv.somanuals.com>