

SoHo 401 VPN

Shared Broadband Internet Access
VPN Gateway
3-Port Switching Hub, DMZ Port

Quick Install Guide



This guide covers only the most common situations. Please refer to the full User Manual on the CD-ROM if your LAN has any of the following:

- Router
- Existing DHCP Server
- PCs using Fixed (Static) IP Addresses

P/N 9570NN0001

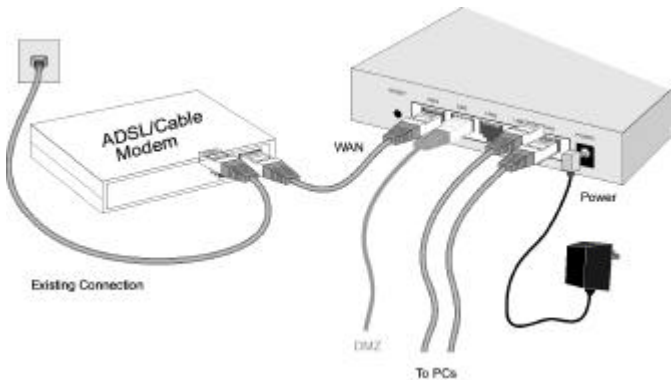
Requirements

- DSL or Cable modem for broadband Internet access.
- Standard Network cables.
- TCP/IP network protocol installed on each PC.

Setup

1 Physical Installation

1. Ensure the Soho 401 VPN and the DSL/Cable modem are powered OFF before commencing. Leave your DSL/Cable modem connected to its wall socket (phone line or cable input).



2. Use standard LAN cables to connect PCs to the LAN ports on the Soho 401 VPN.
 - If required, connect any LAN port on the Soho 401 VPN to a normal port on another Hub, using a standard LAN cable. (Any LAN port will automatically function as an "Uplink" port when required.)

- If desired, connect a PC (server) to the DMZ port. To use multiple servers, use a standard LAN cable to connect the DMZ port to a normal port on another hub, and connect your servers to the hub. PCs connected to the DMZ port are isolated from your LAN.
3. Connect your DSL/Cable **Modem** to the **WAN** port. Use the cable supplied with your DSL/Cable modem, or a standard network cable.
 4. Connect the supplied Power Adapter and power on.
 5. Check the LEDs
 - The *Status* LED should flash, then turn Off. If it stays on, there is a hardware error.
 - The *WAN* LED should be ON.
 - For each active LAN (PC) connection, the LAN *Link/Act* LED should be ON.

② Configuration

1. Start your PC. If it is already started, restart it. It will then obtain an IP Address from the Soho 401 VPN 's DHCP Server.
2. Start your WEB browser. In the *Address* box, enter the following:

HTTP://192.168.0.1
3. The *Setup Wizard* will run automatically.
4. Step through the Wizard until finished. Refer to the data from your ISP, and the table below, as necessary.

Connection Type	Data required.
Dynamic IP Address	Usually, none. But some ISPs may require a <i>Hostname</i> , <i>Domain Name</i> , or <i>MAC (physical) address</i> .

Specified (Fixed) IP Address	IP Address allocated to you, and related information.
PPPoE	Login name and password.
PPTP, Big Pond (not used in USA)	Login name and password, Server IP Address

5. On the final screen of the Wizard, run the test and check that an Internet connection can be established.
 - If the connection fails, check both your data and the Cable/DSL modem.
 - If your ISP has recorded your MAC (physical) address, change the MAC address (on the Wizard's *Cable Modem* screen) to match the value expected by your ISP.

PC Setup - Windows

① TCP/IP Setup

- **If using the default Soho 401 VPN settings, and the default Windows TCP/IP settings, no changes need to be made.**
- If using a specified (fixed) IP address on your PC, refer to the user manual for details of the required changes:
 - The *Gateway* must be set to the IP address of the Soho 401 VPN
 - The *DNS* should be set to the address provided by your ISP.

② Internet Access

For Windows 9x/ME/2000

1. Select *Start Menu - Settings - Control Panel - Internet Options*.
2. Select the *Connection* tab, and click the *Setup* button.
3. Select "I want to set up my Internet connection manually, or I want to connect through a local area network (LAN)" and click *Next*.
4. Select "I connect through a local area network (LAN)" and click *Next*.
5. Ensure all of the boxes on the following Local area network Internet Configuration screen are **unchecked**.
6. Check the "No" option when prompted "Do you want to set up an Internet mail account now?".
7. Click *Finish* to close the Internet Connection Wizard. Setup is now completed.

For Windows XP

1. Select *Start Menu - Control Panel - Network and Internet Connections*.
2. Select *Set up or change your Internet Connection*.
3. Select the *Connection* tab, and click the *Setup* button.
4. Cancel the pop-up "Location Information" screen.
5. Click *Next* on the "New Connection Wizard" screen.
6. Select "Connect to the Internet" and click *Next*.
7. Select "Set up my connection manually" and click *Next*.
8. Check "Connect using a broadband connection that is always on" and click *Next*.
9. Click *Finish* to close the New Connection Wizard.

Setup is now completed.

Macintosh Setup

To access the Internet via the SoHo 401 VPN:

1. Open the TCP/IP Control Panel.
2. Select *Ethernet* from the *Connect via* pop-up menu.
3. Select *Using DHCP Server* from the *Configure* pop-up menu. The DHCP Client ID field can be left blank.
4. Close the TCP/IP panel, saving your settings.

Note:

If using manually assigned IP addresses instead of DHCP, the required changes are:

- Set the *Router Address* field to the Soho 401 VPN 's IP Address.
- Ensure your DNS settings are correct.

Linux Setup using X Windows

Follow this procedure to set your system to act as a DHCP client, obtaining an IP Address and related data from the Soho 401 VPN 's DHCP Server.

1. Start your X Windows client.
2. Select *Control Panel - Network*
3. Select the "Interface" entry for your Network card. Normally, this will be called "eth0".
4. Click the *Edit* button, set the "protocol" to "DHCP", and save this data.
5. To apply your changes
 - Use the "Deactivate" and "Activate" buttons
 - OR, restart your system.

Free Manuals Download Website

<http://myh66.com>

<http://usermanuals.us>

<http://www.somanuals.com>

<http://www.4manuals.cc>

<http://www.manual-lib.com>

<http://www.404manual.com>

<http://www.luxmanual.com>

<http://aubethermostatmanual.com>

Golf course search by state

<http://golfingnear.com>

Email search by domain

<http://emailbydomain.com>

Auto manuals search

<http://auto.somanuals.com>

TV manuals search

<http://tv.somanuals.com>