



Instruction for Installation and Use

DC 28

D I S H W A S H E R

To the User

You must read the instruction prior to using the appliance and then retain them for future reference.

Quick guide to your dishwasher

This manual gives a full explanation of your new dishwasher. In addition, you will find a world of useful hints and handy tips to help you get a better wash from your dishwasher and to ensure it gives long lasting service.

1. Installation and moving (p. 8)

Installation, after delivery or moving house, is the most important procedure for the correct operation of your dishwasher. Always check:

1. That the electricity system is in accordance with norms;
2. That the water inlet and outlet hoses are connected correctly;
3. That the dishwasher is level on the ground. It is worth it: for the longer life span and the correct operation of your dishwasher.

2. Control panel at your orders (p.2)

Learn to get to know the parts which make up your dishwasher. This is where you will find the description of the controls and the internal parts.

3. How to load your dishes (p. 3)

This page includes useful tips to help you load your dishwasher correctly and make the most of all the available space.

4. How to start your dishwasher (p. 4)

After loading the dishes, you need to select the right wash cycle and measure out the correct dose of detergent and rinse aid. Reading these pages will help you through all the wash phases.

5. Salt: an important ally (p. 7)

Using the right salt and in the right quantity will help you maintain your dishwasher in top condition, to wash better and to avoid possible damage caused by limescale.

6. Advice and suggestions to help you make savings as well (p. 7)

This is where you will find small tips on how to wash your dishes better and to help make savings by selecting a wash cycle which best suits the type of load.

7. Troubleshooting (p. 9)

Before calling the engineer, have a look here: a lot of problems can have an immediate solution. If you can't manage to solve it yourself, then call the information Help Desk- see key contacts on the back page of this booklet.

8. Safety for you and your family (p.9)

Read this chapter carefully, as it will provide you with useful information on installation, use and maintenance safety. To avoid nasty surprises.

9. Special care and maintenance (p.10)

Once in a while, once a month, spend a little time on the filter assembly and the sprayer arms.

10. Keeping your dishwasher in shape (p.10)

Respect the few rules you will find here, and the result will be an enduring trouble free dishwasher.

11. Technical characteristics (p. 2)

All your appliance's technical data, in accordance with norms and regulations as always.

12. Hotpoint is still with you after purchase (p.12)

Hotpoint supports its products by means of after-sales services and assistance, offering you special guarantees, professional assistance as well as quality spare parts and accessories.

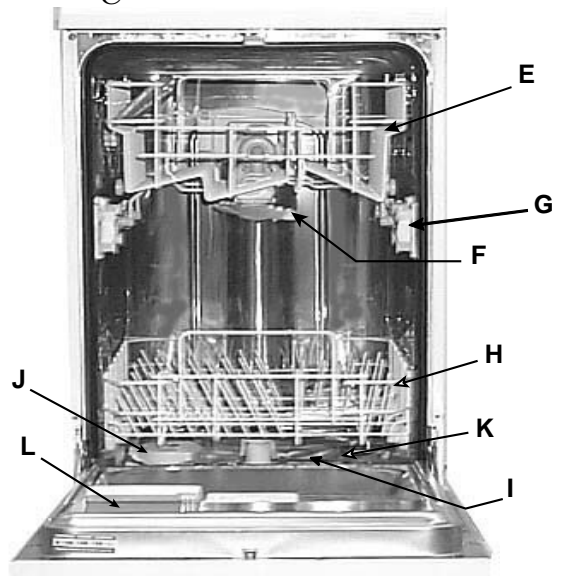
DISHWASHER

Let's open up your dishwasher together

How is it made?

Learn to get to know the parts which make up your dishwasher, you will use it better for it.

- E. Upper rack**
- F. Top spray arm**
- G. Rack height adjuster**
- H. Lower rack**
- I. Bottom spray arm**
- J. Salt container cap**
- K. Washing filter**
- L. Detergent and rinse aid dispenser**



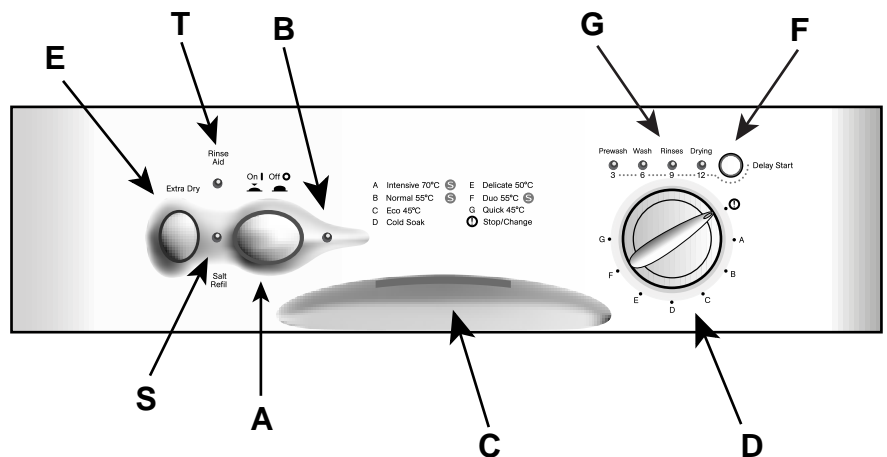
Control panel at your orders

- A. ON-OFF Button**
Press this button to switch the appliance on.
- B. ON-OFF Indicator light**
This light informs you that the dishwasher is on.
- C. Door opening handle**
Use this handle to open the dishwasher door.
- D. Cycle selection knob**
Turn it to select the desired wash cycle
- E. Extra drying button**
Press this button for greater drying
- F. Delayed start select button**
This button delays the start of the wash cycle you selected by 12, 9, 6 or 3 hours.
- G. Cycle phase and delayed start indicator lights**
These indicator lights inform you which cycle phase is under way (pre-wash, wash, rinses, drying) and, if you

have set a delayed start, they also indicate the amount of time left until the wash cycle starts.

- S. Low salt indicator light**
This light warns you that it is time to add more salt.

- T. Low rinse aid indicator light**
This light warns you that it is time to add more rinse aid.



Technical Characteristics

Technical characteristics	
Width	cm. 44,5
Depth	cm. 60
Height	cm. 85
Capacity	8 standard place settings
Mains water pressure	2,9 psi - 145 psi (20 KPa ÷ 1MPa) (0,2 ÷ 10 bar)
Power voltage	230 V
Energy consumption	1,95 KW
Fuse (approved to BS1362)	10 A

This dishwasher conforms to the following European Community Directives:

- 73/23/EEC (Low Voltage) and subsequent modifications;
- 89/336/EEC (Electromagnetic Compatibility) and subsequent modifications.
- 97/17/CE (Labelling)

How to load your dishes

Before washing, a few small steps can help you get a better wash and keep your dishwasher for longer. Remove the largest scraps of food left over on your plates, soak saucepans and frying pans with tough incrustations. After loading your dishes, make sure the blades on the sprayer arm turn well

First of all.

Before placing the dishes in the racks, remove the largest scraps of food left over on your plates, you will thus avoid blocking the filter, which would reduce the efficacy of the wash.

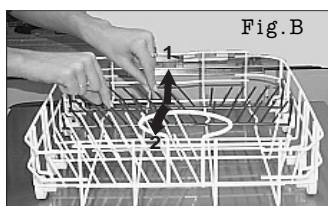
If the saucepans and frying pans are very dirty, allow them to soak before being washed. To make it easier to load your dishes, pull the racks out.

What goes into the lower rack?

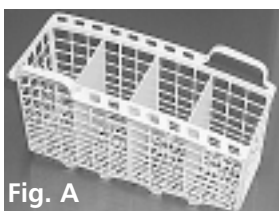
We recommend you place the most difficult dishes to wash into the lower rack: saucepans, lids, soup dishes and plates (a load example is shown in the photo).

- **Serving dishes and large lids:** place them on the sides of the rack.
- **Saucepans, salad bowls:** must always be placed upside down
- **Very deep dishes:** place them obliquely, thus allowing water to run down them and cleaning them better

The lower rack has tip-up sectors (see figure B), so you can place even more saucepans and frying pans or make room for the larger ones.



Place the cutlery with the handles at the bottom; if the basket is the one with side inserts, then insert the tea spoons one by one into the slots (see figure A).



It is best if you place longer utensils horizontally at the front of the upper rack.

After loading the dishes, remember to check that the blades on the sprayer arms can turn freely without hitting against any dishes.

What goes into the upper rack?

Place delicate and lightweight dishes in the upper rack: glasses, tea cups and coffee cups, saucers-but plates too-shallow salad bowls, slightly dirty frying pans and shallow pans.

Position lightweight dishes in such a way as to avoid their being moved by the spray of water.

How to adjust the top rack.

The upper rack can be set in high or low position to enable you to organise your dishes effortlessly.



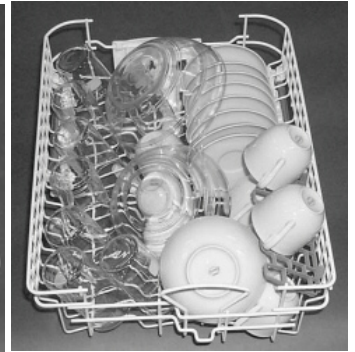
There are two handles on the sides of the upper rack: use these to adjust its height (see fig. C)

Load examples

upper rack



upper rack



lower rack



lower rack



Starting the dishwasher

Ready, steady, go!

You have loaded your dishes and you now have to set the wash cycle. It takes just one minute to learn how

First of all.

Turn on the water tap completely and press ON-OFF button "A": a short beep will sound and indicator light "B" will come on. Now the appliance is on and ready to be programmed.

Selecting the wash cycle.

To select a wash cycle, turn knob "D" clockwise until the reference notch on the knob corresponds with the number or symbol for the cycle you wish to set (have a look at the wash cycle table on page 6).

After a few seconds, you will hear a short beep: the wash cycle has begun and it is not advisable to make any changes at this point.

The dishwasher informs you.

Your dishwasher is fitted with indicator lights (G) that come on to show you at which point the wash cycle is at.

Here are the symbols corresponding to each cycle phase:

Starting from the indicator light on the left moving towards the one on the right: pre-wash, wash, rinses, drying.

At all times, your dishwasher tells you where it is at.

Modifying a wash cycle in progress.

But if you have chosen the wrong cycle, not to worry! You can modify the wash cycle in progress, if it has only just started. Turn the knob anti-clockwise and set it to "Change Position", after a few seconds you will hear 4 beeps and indicator light "G" will go out: this means all the settings have been cancelled. You are now free to re-set the correct wash cycle.

You've left out a dish?

Well, it happens to everyone. Interrupt the wash cycle by pressing the ON-OFF button, insert the dish you had forgotten and press the ON-OFF button again. The cycle will start up from where you interrupted it.

Finished?

The end of the wash cycle is signalled by 2 short beeps and a flashing drying phase indicator light. Set the knob to the "Stop Position" to clear all settings.

Turn the appliance off by pressing button "A", thus cutting off the electricity supply.

Turn off the water tap.

Wait a few minutes before unloading the dishes: they are very hot! If you wait a little while, they dry better thanks to the steam.

Empty the lower rack first.

Make sure the wash cycle has ended before removing the dishes!

There's been a power failure? Have you opened the dishwasher door?

The wash cycle stops and then restarts when the electricity comes back on or when you shut the door. Everything is under control!

You decide when it starts.

When you have loaded the dishes, you can choose when to start your dishwasher before setting the wash cycle desired.

Press button "F" to delay the start of the wash cycle by 12, 9, 6 or 3 hours. Each time you press it, you will hear a short beep and the indicator light "G" corresponding to the selected delay will come on. Now you can select the desired wash cycle and, after you hear the beep, the countdown to the delayed start will begin.

If you have set a 12 hour delay, for example, once you have selected the wash cycle, the 12 hour indicator light will flash followed by the others in sequence until the set time delay is up. A quick look at the indicator lights will keep you informed of the countdown progress at all times.

Dual function of indicator lights "G"

1) **flashing to indicate a delayed start:** to remind you that you have set a delayed start;

2) **on and not flashing beneath the cycle phase symbol:** meaning the cycle has started and is in the phase indicated by the symbol.

Have you changed your mind?

If you change your mind, you can set a shorter time delay: press button "F" to select it. You need not reset the wash cycle.

If on the other hand you want to cancel the delay set and you want the cycle to start immediately, press button "F" repeatedly until the cycle starts and indicator light "G" corresponding to the cycle start phase comes on.

Do you want extra drying?

Press button "E" before you start the selected wash cycle. A short beep will tell you that you have selected extra drying and the wash cycle will last longer in order to provide you with drier dishes.

You can cancel the wash cycle in progress, if it has only just started.

If opening the door soon after the end of the programme, or during it, stand away from the Dishwasher, to avoid possible injury from hot steam.

Detergent and rinse aid

Only use specific dishwasher detergents. Pour the detergent into the dispenser on the inside of the door. Before the wash cycle starts!

The detergent

Loading the detergent

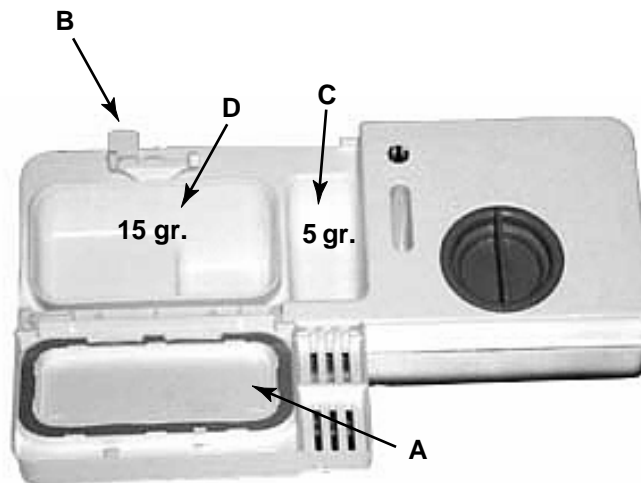
To open lid A, press button B. The detergent should be poured into the two containers C and D to the rim.

Now you can close the lid: press it down until you hear it click.

If you prefer to use the detergent in tablets, place one of these in container "D". Now you can close the lid: press it down until you hear it click.

It won't close!

Check whether there is any detergent residue on the edges of the dispenser. It is due to this residue that the lid won't close. Get rid of it and you'll see that it closes.



Useful tips

- Use the right amount of detergent: if you use too much, you will not get cleaner dishes, but just more environmental pollution.
- Keep your dishwasher detergent and rinse aid in a cool, dry place and away from children.

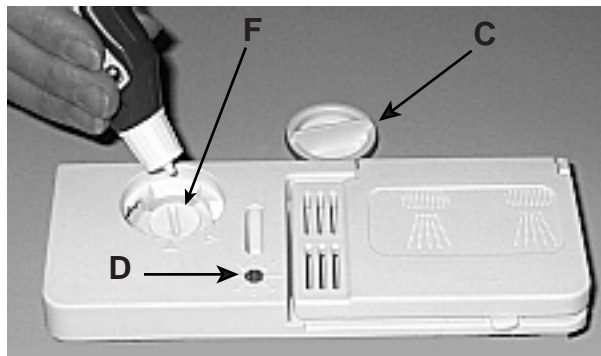
The rinse aid.

This product makes dishes sparkle more as it improves their drying. The rinse aid container is situated on the inside of the appliance door; you should refill it when you see the container is empty by means of indicator "D".

(If your dishwasher is fitted with a "low rinse aid" indicator light, fill the container up when the indicator light flashes or lights up).

Loading the rinse aid.

To open the dispenser, turn cap C anticlockwise. Take care when you pour in the rinse aid to avoid it overflowing. You can adapt the amount of rinse aid used by the dishwasher: regulate the adjuster F which you will find under lid C.



You can choose from six different positions. It is normally set to 2.

Proper dosage of the rinse aid improves drying. If drops of water remain on the dishes or spotting occurs, turn the dosage adjuster to a higher setting. If, on the other hand, the dishes have white streaks, then turn the dosage adjuster down to a lower setting.

Warning

Three-in-one dishwasher tablets are now available on the market, and combine the detergent, salt and rinse aid all in one. If the water in your area is hard or very hard, we still recommend you pour extra salt into the relevant dispenser to prevent the formation of white streaks on your dishes or on the appliance interior.

In any case, please read the manufacturer's instructions provided on the packet.

If you use only these products, it is normal for the salt and rinse aid indicator lights to flash permanently after a certain number of cycles.

DISHWASHER

Select the right wash cycle

A wash cycle for every degree of soil

Salt, rinse aid, the right amount of detergent and the correct wash cycle: this is the formula to get the best results and to keep your dishwasher in shape

Note: in the Aquasensor wash cycles, the cycles could undergo some modifications due to the intervention of the sensor which evaluates how dirty the dishes are and optimises the cycle in accordance.

" Aquasensor " wash cycles
This means that your dishwasher is equipped with a sensor which evaluate how dirty your dishes are and allows these wash cycles to adjust automatically, to provide you with a more efficient and economic wash cycle.

Cycle	Cycle selection instructions	Cycle description	Detergent for pre-wash + wash	Rinse Aid
A Intensive (AquaSensor System)	Very dirty dishes and pans (not to be used for delicate items).	Pre-wash with cold water Pre-wash with hot water at 45°C. Extended wash at 70°C. Rinse with cold water. Rinse with hot water at 70°C. Drying.	5+15 gr.	*
B Normal (AquaSensor System)	Normally dirty pans and dishes. Standard daily cycle.	2 Pre-washes with cold water. Extended wash at 55°C. Rinse with hot water at 70°C. Drying.	5+15 gr.	*
C Eco	Economic and fast cycle to be used for slightly dirty dishes. Run cycle immediately after use. No drying.	Short wash at 45 °C. Cold rinse	15 gr.	
D Cold Soak	Preliminary wash cycle for dishes and pans awaiting completion of the load with the dishes from the next meal.	Short cold wash to prevent food from drying onto the dishes.		
E Delicate	Economic and fast cycle to be used for more delicate items which are sensitive to high temperatures. Run cycle immediately after use.	Wash at 50°C. Cold rinse. Rinse with hot water at 70°C. Drying.	15 gr.	*
F DUO (AquaSensor System)	Wash differentiated on the two racks: delicate for glassware and glasses on the upper rack and heavy duty for the pans on the lower rack.	Cold pre-wash. Extended wash at 55°C. Rinse with hot water at 70°C. Drying.	5+15 gr.	*
G Quick	Economic and fast cycle to be used for slightly dirty dishes. Run cycle immediately after use.	Short wash at 45°C. Cold rinse Hot rinse at 70°C. Drying	15 gr.	*

Never without salt

Water in your home

Water hardness varies according to where you live. If the water in your home is hard, without water softening, incrustations would form on your dishes. Your dishwasher is fitted with a water softener which uses special salt to get rid of limescale in the water.

Loading the salt.

Always use salt which is intended for dishwasher use.

The salt container is situated underneath the lower rack, fill it up as follows:

1. Pull out the lower rack completely, unscrew and remove the container cap
2. Is it the first time you load the salt? First fill the container up with water (you won't have to do this again next time)
3. Put the dishwasher funnel on the hole and pour in approximately two kilos of salt. It is normal that some water comes out of the container.
4. Screw the cap back in place carefully.



When should I load the salt?

The salt container should be filled up when the low salt indicator light "S" flashes. Once you have loaded the salt for the first time, it is normal that the low salt indicator light stays on or flashes for about 5 consecutive cycles.

Salt adjustment

Your dishwasher can adjust its salt consumption according to the hardness of the water in your home. This way, you can optimise and customise your dishwasher's salt consumption (not too much, nor too little).

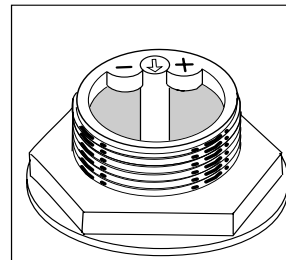
To adjust salt consumption, do as follows:

1. Unscrew the salt container cap
2. There is an arrow on the neck of the container (see figure): if necessary, turn the arrow anti-clockwise from the "-" setting to the "+" setting.

Select the arrow position depending on the water hardness, referring to the table provided.

Water Hardness					
Clarke degrees	°FH	mmol/l	Selector position	Salt consumption (grams/-cycle)	Autonomy (cycles/2-kg)
0 - 14	0 - 17	0 - 1,7	/	0	/
14 - 36	18 - 44	1,8 - 4,4	"-"	20	60
36 - 71	45 - 89	4,5 - 8,9	MED	40	40
>71	> 89	> 8,9	"+"	60	25

To prevent rust from forming, load the salt just before beginning a wash cycle.



You don't know how hard the water in your home is? Ask the company that supplies water in your area.

Suggestions and advice for you. How to look after and protect the dishes you hold dear

- Almost all silverware can be cleaned in a dishwasher. There are two exceptions: old silverware and silverware decorated with an oxidising agent. Hot water can loosen the handles on old silverware and wear off the decorations on the other. Never let silverware come into contact with other metals: you will thus avoid stains and blackening
- Silver plates and serving dishes should be washed immediately after use, especially if they have contained salt, eggs, olives, mustard, vinegar, fruit juices and cooked vegetables.
- For particularly delicate dishes, we recommend you use the specific wash cycle offered by your dishwasher.

Apart from making you save time and energy, your dishwasher disinfects your dishes, washing them at a high temperature.

Savings are easy

Using your electric household appliances wisely helps you make savings and is good for the environment.

Maximum load.

To optimise consumption levels, try to use the dishwasher with a full load only. If it takes quite some time to fill up your dishwasher, use the soak cycle to avoid the formation of bad odours and caked-on food.

The right wash cycle.

Select the most suitable wash cycle for the type of load you have placed in the dishwasher. The choice of wash cycle depends on the type of dishes to wash and on how dirty they are. To select the right wash cycle, please consult the wash cycle table on page 6.

Your dishwasher has arrived

After having bought or moved your dishwasher to another home, a correct installation ensures that your dishwasher will operate smoothly and efficiently.

Choose where you want to install your dishwasher, you can even place it so that its sides or back panel are side by side with furniture or up against the wall. The dishwasher is provided with water supply and drain hoses, which can be directed towards the left or right to facilitate appropriate installation.

Easy to build-in

This dishwasher model can be built under a single worktop (please read the relevant instruction sheet).

Levelling.

Once the appliance is positioned, adjust the feet by screwing them in or out depending on how high you want it and to level it so that it is horizontal. Make sure that it is not inclined more than 2 degrees. If the appliance is level, it will help ensure its correct operation.

Cold water connection.

This electric household appliance should be connected to the water mains using the cold water supply hose provided with the appliance only. Do not use a different hose. In the event of replacements, use original spare parts only.

Connect the cold water supply hose making sure that it is fastened tightly in place.

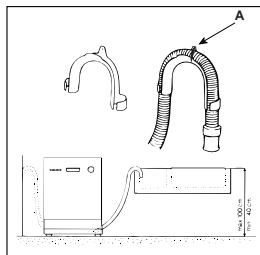
If the water pipes are new or have not been used for an extended

period of time, let the water run to make sure that the water is clear and free of impurities. If this precaution is not taken, there is a risk that the water inlet can get blocked and damage the appliance.

Drain hose connection.

Fit the drain pipe into a drain line with a minimum diameter of 4 cm or place it over the sink. Avoid restricting or bending it. Use the special plastic elbow provided (see figure) to position it in the best possible way. The part of the pipe marked with the letter A should be between 40 and 100 cm above the ground.

The pipe should not be immersed in water.



Electrical connection.

First of all, check that the mains voltage and frequency values correspond to those stated on the rating plate located on the stainless steel inner door of the appliance and that the electrical system to which the dishwasher is connected is sized for the maximum current indicated on said rating plate.

Earth: indispensable safety.

Only now can you plug the appliance into a socket provided with an efficient earth connection (the system's earthing is a guarantee of safety provided for by law, make sure your system has it).

Mains cable.

Check the mains cable wire on a regular basis; if it is damaged, we recommend you have it replaced by an authorised technical Assistance service centre.

Anti-flood protection

Your dishwasher is provided with a special system which blocks the water supply in the event of leaks inside the appliance.

The special plastic elbow should be fastened firmly onto the wall to prevent the drain hose from moving and allowing water to spill outside the drain.

If the power socket to which the appliance is connected is not compatible with the plug, replace it with a suitable plug rather than using adapters or multiple plugs as these could cause overheating or burns.

Electrical Connection

Electrical Connection

If your appliance is supplied with a 13 amp. fused plug it can be plugged into a 13 amp socket for immediate use. Before using the appliance please read the instruction below.

Warning:
this appliance must be earthed. The following operations should be carried out by a qualified electrician.

Replacing the fuse:

When replacing a faulty fuse, a 13 amp ASTA approved fuse to BS 1362 should always be used, and the fuse cover re-fitted. If the fuse cover is lost, the plug must not be used until a replacement is obtained.

Replacement fuse covers:

If a replacement fuse cover is fitted, it must be of the correct colours as indicated by the coloured marking or the colour that is embossed in words on the base of the plug. Replacements can be obtained directly from your nearest Service Depot.

Removing the plug:

If your appliance has a non-rewireable moulded plug and you should wish to remove it to re-route the mains cable through partitions, units etc., please ensure that either:

- the plug is replaced by a fused 13 amp re-wireable plug bearing the BSI mark of approval
- or
- the mains cable is wired directly into a 13 amp cable outlet, controlled by a switch, (in compliance with BS5733) which is accessible without moving the appliance.

Disposing of the plug:

Ensure that before disposing of the plug itself, you make the pins unusable so that it cannot be accidentally inserted into a socket.

Instruction for connecting cable to an alternative plug:

Important: the wires in the mains lead are coloured in accordance with the following code:

Green & Yellow - **Earth**
Blue - **Neutral**
Brown - **Live**

As the colours of the wires in the mains lead may not correspond with the coloured markings identifying the terminal in your plug, proceed as follows:

connect Green & Yellow wire to terminal marked "E" or \perp coloured Green or Green & Yellow.

Connect Brown wire to terminal marked "L" or coloured Red.

Connect Blue wire to terminal marked "N" or coloured Black.

If a 13 amp plug (BS 1363) is used it must be fitted with a 13 amp fuse. A 15 amp plug must be protected by a 15 amp fuse, either in the plug or adaptor or at the distribution board.

If you are in any doubt about the electrical supply to your machine, consult a qualified electrician before use.

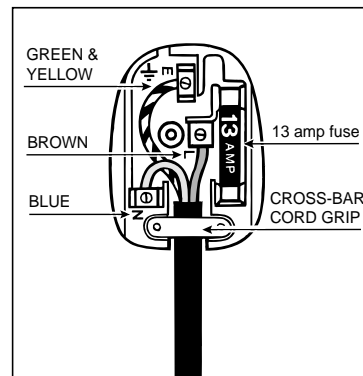
How to connect an alternative plug:

The wires in this mains lead are coloured in accordance with the following code:

- Blue "NEUTRAL" ("N")
- Brown "LIVE" ("L")
- Green and Yellow "EARTH" ("E")

Disposing of the appliance:

When disposing of the appliance please remove the plug by cutting the mains cable as close as possible to the plug body and dispose of it as described above.



Caution:
The dishwasher plug must be accessible even when the appliance is installed as a built-in unit so that maintenance can be done safely.

If you have a problem, read this

Your dishwasher may not work or not function properly. In many cases, these are problems which can be solved without having to call for a technician. Before calling the service centre, always check the points below.

The dishwasher won't start

- Is the water supply tap turned on?
- Is the water supply tap connected to the hose properly?
- Has the water in your home been cut off?
- Is the pressure of the water supply sufficient?
- Is the hose bent?
- Is the filter on the water supply hose blocked?
- Is the dishwasher door open?

The dishes are not clean.

- Have you put the right amount of detergent into the dispenser?
- Is the wash cycle suitable for the dishes you have placed inside the appliance?
- Are the filter and microfilter clean?

- Can the sprayer arms turn freely?

The dishwasher won't drain.

- Is the drain hose bent?

Limescale deposits or a white film form on the dishes.

- Is the lid on the salt container closed properly?
- Is the rinse aid dosage correct?

Error messages

Your dishwasher is equipped with a safety system which is able to detect any operating anomalies. These anomalies are reported by one or two cycle phase indicator lights "G" flashing rapidly. Take a note of which lights are flashing, turn the appliance off and call for technical assistance.

Tap off alarm

If you have forgotten to turn the water tap on, your appliance will remind you of this by sounding a few short beeps for a few minutes. Turn the tap on and your appliance will start up again after a few minutes. Were you to be absent when these beeps are sounded, the appliance will be blocked automatically and cycle phase 2 and 3 indicator lights (wash and rinses) will flash rapidly.

Turn the appliance off at the ON-OFF button, turn on the water tap and wait approximately 20 seconds before turning the appliance back on.

Re-select a wash cycle as indicated in the "Selecting the wash cycle" paragraph and the appliance will start.

You have checked everything, but the dishwasher still doesn't work and the problem persists?

Call the information Help Desk - see Key Contacts (back page of booklet), quoting:

- Model number
 - Serial number
- these are found on the rating plate label, located on the inner door, to one side.

Never call upon the services of unauthorised technicians and always refuse spare parts that are not originals.

Safety within your home

Your dishwasher was built in accordance with the strictest international safety regulations. They protect you and your family. Read the instructions and information contained in this manual: they will provide you with useful hints as to installation, use and maintenance safety. To avoid nasty surprises.

1. Dispose of the packaging material carefully (follow the instructions on how to divide your rubbish up provided by your local Council)
2. After removing the packaging, check to make sure your appliance is intact. If in doubt, contact a qualified professional.
3. Your dishwasher must only be used by adults and for washing household dishes, according to the instructions included in this manual. Do not touch the appliance with wet hands or feet or barefoot.
4. We discourage the use of extension leads and multiple plugs. If the electricity supply wire is not long enough, then have it replaced with one of the correct length and remember that it should be free of bends or dangerous kinks.
5. If the appliance is not operating properly or if maintenance operations are necessary, disconnect the dishwasher from the mains power supply (unplug it!).
6. Keep children away from the dishwasher when it is open and keep detergents out of their reach.
7. Your dishwasher is not to be installed outdoors, not even if the area is covered by a roof: it is extremely dangerous to leave it exposed to rain and thunderstorms.
8. Do not touch the heating element during or straight after a wash cycle.
9. Do not lean or sit on the door when it is open, as this could overturn the dishwasher.
10. If the appliance malfunctions, turn off the water inlet tap and disconnect the plug from the wall socket. Then try consulting the section entitled "If you have a problem, read this". If you cannot resolve the problem, then call the service centre.
11. Once taken out of use, appliances must be made inoperable: cut the power supply wire and damage the door lock.

Care and maintenance

Cleaning and special maintenance

The filter assembly

If you want consistent good results from your dishwasher, you need to clean the filter assembly.

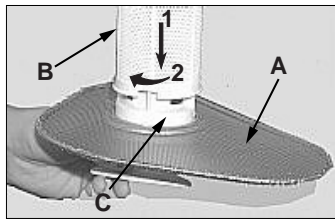
The food particles are removed from the wash water, allowing it to be recirculated during the cycle, filtered perfectly. For this reason, it is a good idea to remove the larger food particles trapped inside the cup "C" and the semi-circular filter A after each wash; pull the cup handle upwards to remove them. Just rinse them under running water.

The entire filter assembly should be cleaned thoroughly once a month: cup C + semi-circular filter A + cylindrical filter B. Rotate filter "B" anticlockwise to remove it.

For cleaning, use a non metallic brush.

Reassemble the filter parts (as shown in the figure) and reinsert the whole assembly into the dishwasher. Position it into its housing and press downwards.

The dishwasher is not to be used without filters. Improper replacement of the filters may reduce the efficiency of the wash and even damage your dishwasher.



Cleaning the spray arms.

Food residue may become encrusted onto the sprayer arms and block the holes where water comes out. Check the sprayer arms regularly and clean them once in a while (letters F and I "How is it made?").

Once in a while, once a month, spend a little time on the filter assembly and the sprayer arms.



Keep your dishwasher in shape

Respecting these few rules ensures you will always have a reliable work companion by your side.

Unplug the appliance.

Before carrying out any cleaning or maintenance on the dishwasher, always remove the plug from the electricity socket. Do not run risks.

No solvents! No abrasives!

To clean the exterior and rubber parts of your appliance, do not use solvents or abrasive cleaning products. Use a cloth dampened with lukewarm soapy water only.

If there are any stains on the surface of the appliance interior, use a cloth dampened with water and a little white vinegar, or a cleaning product specifically made for dishwashers.

Going on holiday?

When you go away for an extended period of time, we recommend you do the following:

- run a cycle with the dishwasher empty
- turn off the water inlet tap.
- leave the appliance door ajar

This will help the seals last longer and prevent unpleasant odours from forming inside the appliance.

Moving the appliance.

Should the appliance have to be moved, try to keep it in a vertical position. If absolutely necessary, it can be positioned on its back.

The seals.

One of the factors that cause unpleasant odours to form inside the dishwasher is food that remains trapped in the seals. Periodic cleaning using a damp sponge will prevent this from occurring.

Your dishwasher is not a waste disintegrator!

Do not worry about removing every single bit of food residue from your dishes, but do get rid of bones, peel and rind and any other left-overs before placing them in the racks. Empty out all glasses and cups.



Hotpoint guarantee

“Satisfaction guaranteed or your money back”

We give you a unique ‘satisfaction guaranteed’ promise - **valid for 90 days** - after you have purchased your Hotpoint appliance. If there is a technical problem simply call Hotpoint Repair service or visit our web-site at www.theservicecentre.co.uk and where necessary, we will arrange for an engineer to call. If the technical problem is not resolved under this guarantee, **we will replace your machine or, if you prefer, give you your money back.**

All Hotpoint appliances carry a fully inclusive 12 month parts and labour guarantee as well as free replacement parts for the first 5 years (except microwaves, selected integrated appliances and cooker hoods, which have a one year guarantee) provided that they are fitted by a Hotpoint engineer.

Guarantee terms and conditions

Your guarantee is only applicable in the United Kingdom or Republic of Ireland and is subject to the following provisions that your appliance:

- ◆ Has been installed and used correctly in accordance with this instruction booklet.
- ◆ Has been used solely for domestic purposes and is located on domestic premises (ie. not for commercial or trade use).
- ◆ Has been properly connected to a suitable electrical supply voltage as stated on the appliance rating plate.
- ◆ Has not been subject to misuse, accident, modified or repaired by anyone other than one of our own service engineers.



For pre purchase information on any other Hotpoint product call: 08701 50 60 70
or visit: www.hotpoint.co.uk



After Sales Service

“No company is better positioned to offer an after sales service on a Hotpoint appliance than us - the manufacturer”

As part of our commitment to you, all Hotpoint appliances have the added benefit of a fully inclusive parts and labour guarantee for the first 12 months. In addition to this you also have the advantage of **free replacement parts for the first 5 years** when fitted by a Hotpoint engineer. When the 12 months parts and labour guarantee expires we offer the following after sales service options:

Repair Service and Information Help Desk

UK: 08709 066066

www.theservicecentre.co.uk

Republic of Ireland: 1850 302 200

Note: Our operators will require the Model number and the Serial number of your appliance

Available 364 days a year with a fast, effective and value for money service. We have the largest white goods repair service in the UK with over 1200 of our own fully trained engineers. All repairs include a parts and labour guarantee for 12 months from the date of the repair. If you require any information or have any questions about your appliance, our operators are on hand with help and advice.

All this ensures that you will receive the best available after sales service possible.

Extended Warranties

UK: 08709 088 088

www.theservicecentre.co.uk

Republic of Ireland: 1850 502 200

Whether you have just one or a number of Hotpoint appliances in your kitchen, we offer two service cover plans to give you total peace of mind.

- ◆ Repair Protection Plan - FREE service repairs for a single Hotpoint appliance during the period of cover.
- ◆ Kitchen Cover - FREE service repairs for all your Hotpoint appliances less than 8 years old.

Genuine Parts and Accessories

UK: 08709 077 077

www.theservicecentre.co.uk

Republic of Ireland: (01) 842 6836

A wide range of genuine parts and accessories are available from our hotline or through our web site.

Genuine parts and accessories, extended warranties and service repairs are all available on our web-site at:



www.theservicecentre.co.uk



Key Contacts

After Sales Service

Over 1200 trained specialists, directly employed by us, ensure that you can have complete confidence in both the appliances and services we offer.



Repair Service and Information Desk

UK: 08709 066 066

(Open 8 to 8 Mon - Fri, 8 to 6 Sat, 10 to 4 Sun & Bank Holidays)

www.theservicecentre.co.uk

Republic of Ireland: 1850 302 200

Note: Our operators will require the following information:

Model number:

Serial number:

Extended Warranties

UK: 08709 088 088

(Open 8 to 8 Mon - Sun)

www.theservicecentre.co.uk

Republic of Ireland: 1850 502 200

Genuine Parts and Accessories

UK: 08709 077 077

(Open 8-30 to 5-30 Mon - Fri & 9 to 12 Sat)

www.theservicecentre.co.uk

Republic of Ireland: (01) 842 6836

General Domestic Appliances Limited, Morley Way, Peterborough, PE2 9JB.

Free Manuals Download Website

<http://myh66.com>

<http://usermanuals.us>

<http://www.somanuals.com>

<http://www.4manuals.cc>

<http://www.manual-lib.com>

<http://www.404manual.com>

<http://www.luxmanual.com>

<http://aubethermostatmanual.com>

Golf course search by state

<http://golfingnear.com>

Email search by domain

<http://emailbydomain.com>

Auto manuals search

<http://auto.somanuals.com>

TV manuals search

<http://tv.somanuals.com>