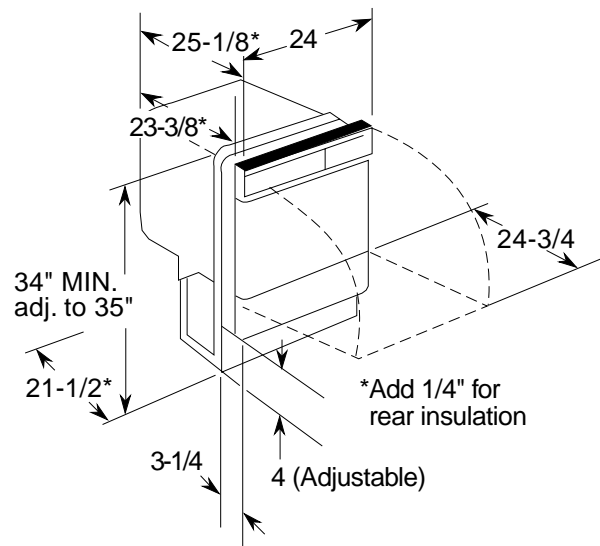


HOTPOINT

HDA1100ZWH - Hotpoint Built-In Dishwasher

Dishwasher Dimensions (in inches)

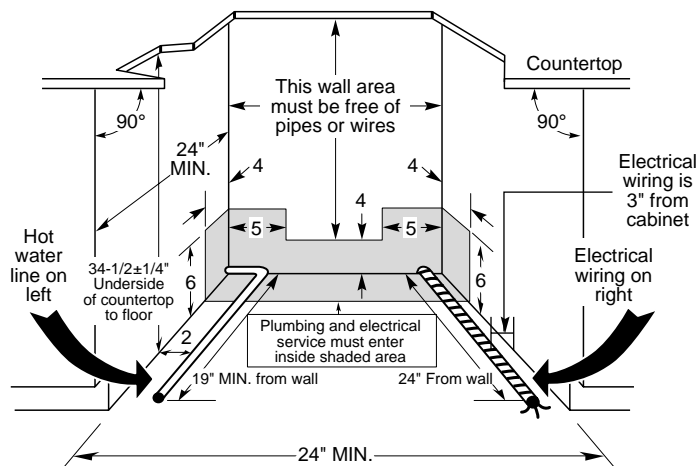


Electrical Rating

Voltage AC.....120
 Hertz.....60
 Total connected load amperage.....8.6
 Calrod® heater watts.....500
 For use on adequately wired 120-volt, 15-amp circuit having 2-wire service with a separate ground wire. This appliance must be grounded for safe operation.

Specification Revised 8/99

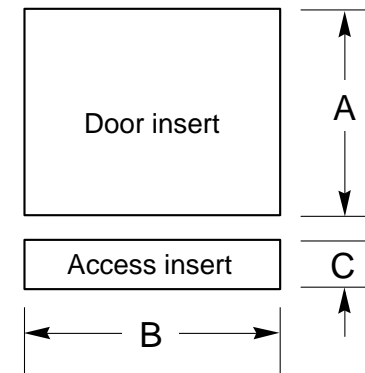
Installation Information (in inches)



Note: Dishwasher must not be installed more than 10' from sink for proper drainage. All plumbing and electrical work must be in accordance with local codes. Dishwasher includes drain hose and leveling legs.

Installation Information: Before installing, consult installation instructions packed with product for current dimensional data.

Wood Insert Cut-Out Dimensions (in inches)



Models/Kits	A	B	C	Panel Thickness
GPF325 Kit	18-7/8"	23-9/16"	3-11/16"	1/4"
GPF375 Kit	18-15/16"	23-5/8"*	4-1/4" to 3-3/4"***	3/4"

*Bottom of panel must be notched 1-1/2" x 1/2" to clear across panel

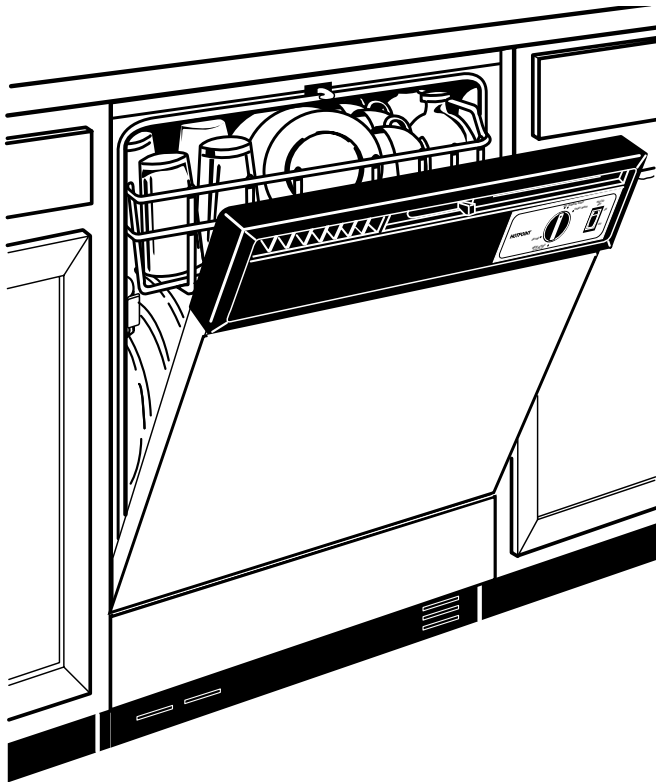
**Adjustment required to match adjacent cabinets fronts due to leveling leg adjustment, 4" nominal.



Listed by
Underwriters
Laboratories

HOTPOINT

HDA1100ZWH - Hotpoint Built-In Dishwasher



Features and Benefits

- 3 Cycles / 2 Options
- Normal Wash (Dial)
- Short Wash (Dial)
- Rinse Only / Hold (Dial)
- Heated Dry On/Off
- 2 Wash Levels
- Standard Wash Arm with Down Jet
- Standard Upper Rack
- Deluxe Flat Lower Rack
- Deluxe Silverware Basket
- Trimless Appearance
- Model HDA1100ZWH - White

Free Manuals Download Website

<http://myh66.com>

<http://usermanuals.us>

<http://www.somanuals.com>

<http://www.4manuals.cc>

<http://www.manual-lib.com>

<http://www.404manual.com>

<http://www.luxmanual.com>

<http://aubethermostatmanual.com>

Golf course search by state

<http://golfingnear.com>

Email search by domain

<http://emailbydomain.com>

Auto manuals search

<http://auto.somanuals.com>

TV manuals search

<http://tv.somanuals.com>