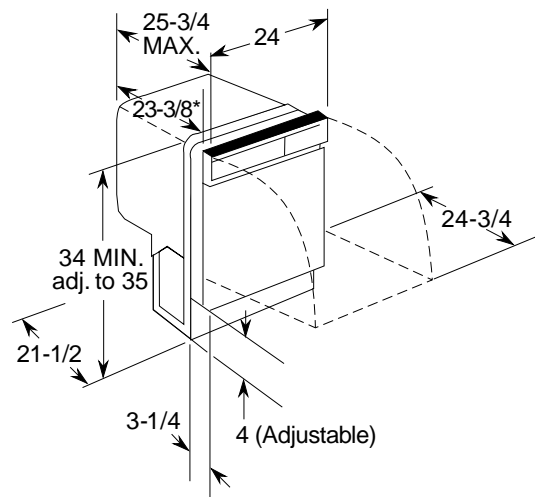


HOTPOINT

HDA2000G - Hotpoint Built-In Dishwasher

Dishwasher Dimensions (in inches)

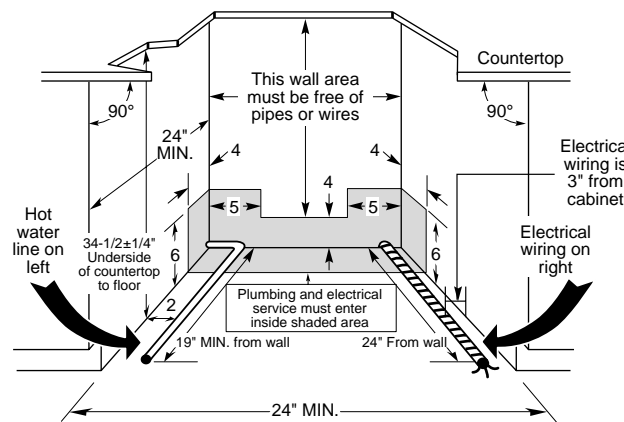


Electrical Rating

Voltage AC.....120
 Hertz60
 Total connected load amperage.....8.6
 Calrod® heater watts.....500
 For use on adequately wired 120-volt, 15-amp circuit having 2-wire service with a separate ground wire. This appliance must be grounded for safe operation.

Specification Created 1/02

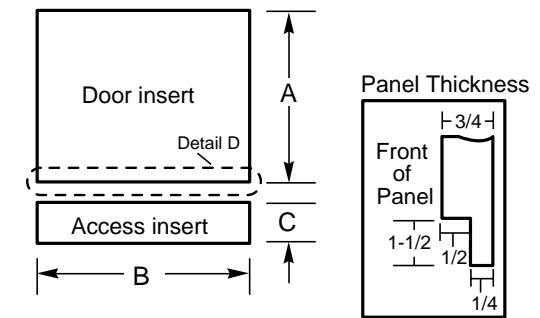
Installation Information (in inches)



Note: Dishwasher must not be installed more than 10' from sink for proper drainage. All plumbing and electrical work must be in accordance with local codes. Dishwasher includes drain hose and leveling legs.

Installation Information: Before installing, consult installation instructions packed with product for current dimensional data.

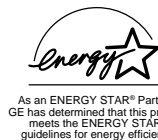
Wood Insert Cut-Out Dimensions (in inches)



Models/Kits	A	B	C	Panel Thickness
GPF325 Kit	18-7/8"	23-9/16"	3-11/16"	1/4"
GPF375 Kit	18-15/16"	23-5/8"*	3-3/4" to 4-1/4"***	3/4"

*Bottom of panel must be notched 1-1/2" x 1/2" to clear access panel. (See illustration above)

***Adjustment required to match adjacent cabinets fronts due to leveling leg adjustment, 4" nominal.



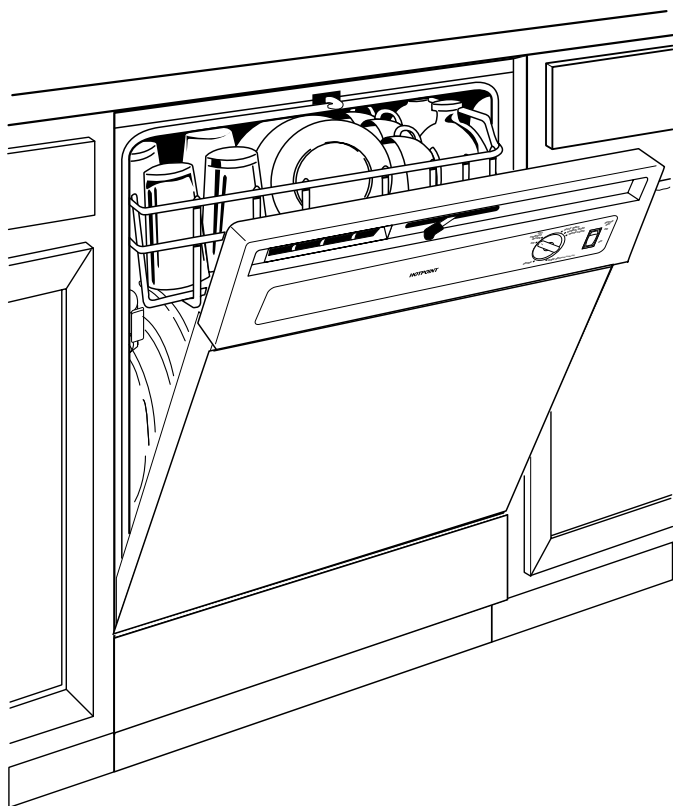
As an ENERGY STAR® Partner, GE has determined that this product meets the ENERGY STAR® guidelines for energy efficiency.



Listed by Underwriters Laboratories

HOTPOINT

HDA2000G - Hotpoint Built-In Dishwasher



Features and Benefits

- Energy Star Qualified
- 2 Wash Levels
- Standard Upper Rack
- Deluxe Lower Rack
- Deluxe Silverware Basket
- Dial Controls (with Rocker)
- 4 Cycle / 9 Option Selections: Heavy Wash (Dial), Normal Wash (Dial), Water Saver (Dial), Rinse Only (Dial); Heated Dry (Rocker), Hi-Temp Wash and Hot PreWash Option (Dial)
- Rinse Aid Dispenser
- Steel Door
- QuietPower™ Motor
- Standard Sound Insulation Package
- Model HDA2000GWW - White on white
- Model HDA2000GBB - Black on black
- Model HDA2000GCC - Bisque on bisque
- Model HDA2000GAA - Almond on almond

Specification Created 1/02

Free Manuals Download Website

<http://myh66.com>

<http://usermanuals.us>

<http://www.somanuals.com>

<http://www.4manuals.cc>

<http://www.manual-lib.com>

<http://www.404manual.com>

<http://www.luxmanual.com>

<http://aubethermostatmanual.com>

Golf course search by state

<http://golfingnear.com>

Email search by domain

<http://emailbydomain.com>

Auto manuals search

<http://auto.somanuals.com>

TV manuals search

<http://tv.somanuals.com>