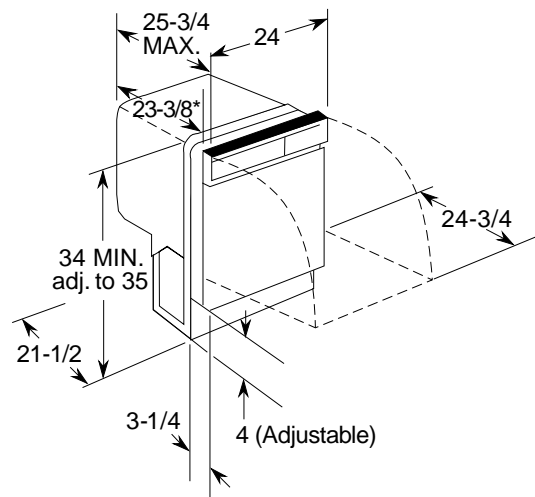


HOTPOINT

HDA3700G - Hotpoint Built-In Dishwasher

Dishwasher Dimensions (in inches)

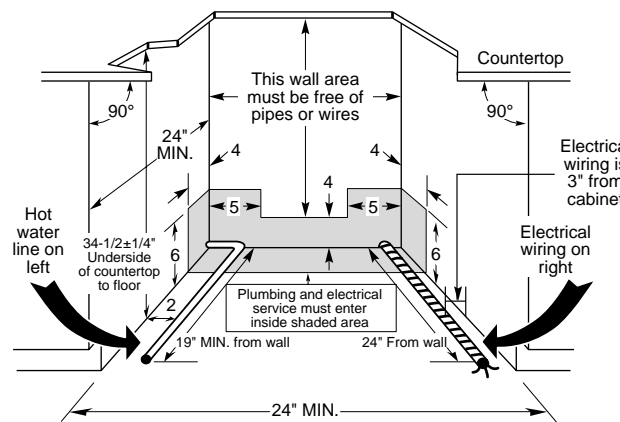


Electrical Rating

Voltage AC.....120
 Hertz60
 Total connected load amperage.....8.6
 Calrod® heater watts.....500
 For use on adequately wired 120-volt, 15-amp circuit having 2-wire service with a separate ground wire. This appliance must be grounded for safe operation.

Specification Created 1/02

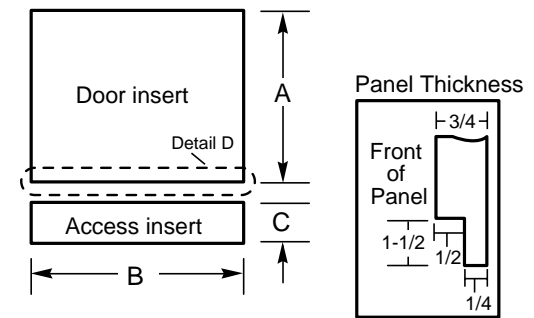
Installation Information (in inches)



Note: Dishwasher must not be installed more than 10' from sink for proper drainage. All plumbing and electrical work must be in accordance with local codes. Dishwasher includes drain hose and leveling legs.

Installation Information: Before installing, consult installation instructions packed with product for current dimensional data.

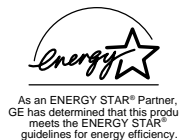
Wood Insert Cut-Out Dimensions (in inches)



Kit	A	B	C	D -Panel Thickness
GPF425	19-3/4"	23-9/16"	3-11/16"	1/4"
GPF475	19-7/8"	23-5/8"	3-11/16" to 4-1/4"***	3/4"

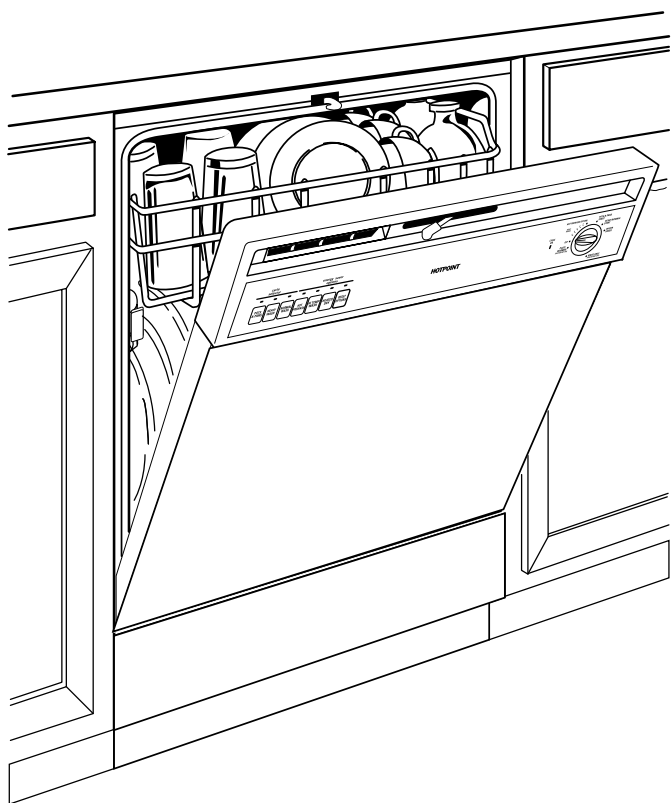
*Bottom of panel must be notched 1-1/2" x 1/2" to clear access panel. (See illustration above)

**Adjustment required to match adjacent cabinet fronts due to leveling adjustment, 4" nominal.



HOTPOINT

HDA3700G - Hotpoint Built-In Dishwasher



Features and Benefits

- Energy Star Qualified
- Power Wash II System with Self-Cleaning Filter and 3 Wash Levels
- TouchTap™ Controls
- Deluxe Plus Upper Rack
- Deluxe Lower Rack
- Deluxe Silverware Basket
- 6 Cycle / 31 Option Selections: Pots & Pans, Normal Wash, Water Saver (Dial), Light Wash (Dial), Plate Warmer (Dial) and Rinse Only (Dial); Delay Start (1-5 hr.), Heated Dry, Hi-Temp Wash and Hot PreWash Option (Dial)
- Rinse Aid Dispenser
- Steel Door
- QuietPower™ Motor
- QuietDesign™ Sound Insulation Package
- Model HDA3700GWW - White on white
- Model HDA3700GGB - Black on black
- Model HDA3700GCC - Bisque on bisque

Free Manuals Download Website

<http://myh66.com>

<http://usermanuals.us>

<http://www.somanuals.com>

<http://www.4manuals.cc>

<http://www.manual-lib.com>

<http://www.404manual.com>

<http://www.luxmanual.com>

<http://aubethermostatmanual.com>

Golf course search by state

<http://golfingnear.com>

Email search by domain

<http://emailbydomain.com>

Auto manuals search

<http://auto.somanuals.com>

TV manuals search

<http://tv.somanuals.com>