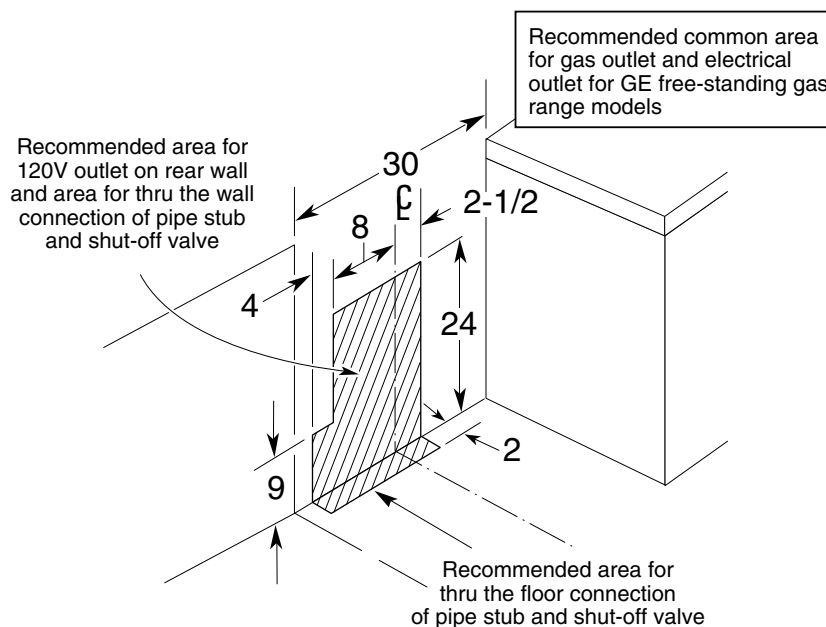
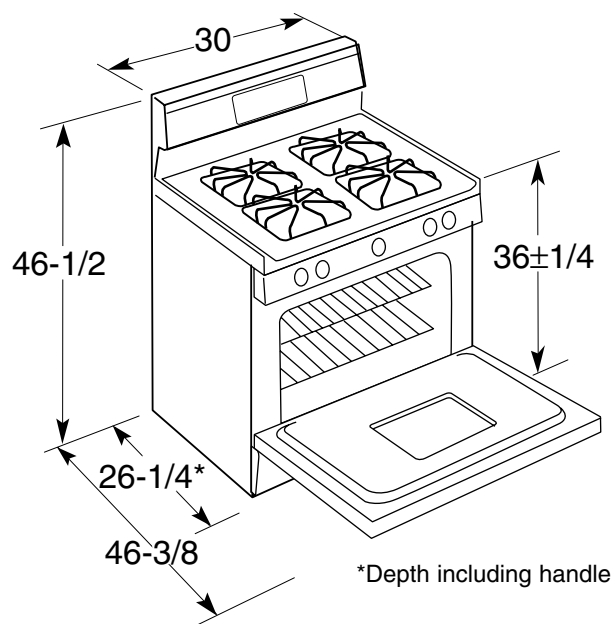


# HOTPOINT

## RGB744WEAWW—30" Free-Standing Gas Range

### Dimensions (in inches)



### Installation Information:

Dimensions shown here are the same as those shown on the installation instructions at the time this sheet was printed. Before proceeding with installation, see your Hotpoint supplier for latest detailed preparation and installation instructions or install from the instructions packed with each unit.

### Optional gas range accessory drip pans:

(Available at additional cost)  
To order these accessory drip pans, call toll-free 800-626-2002.

Specification Revised 6/00

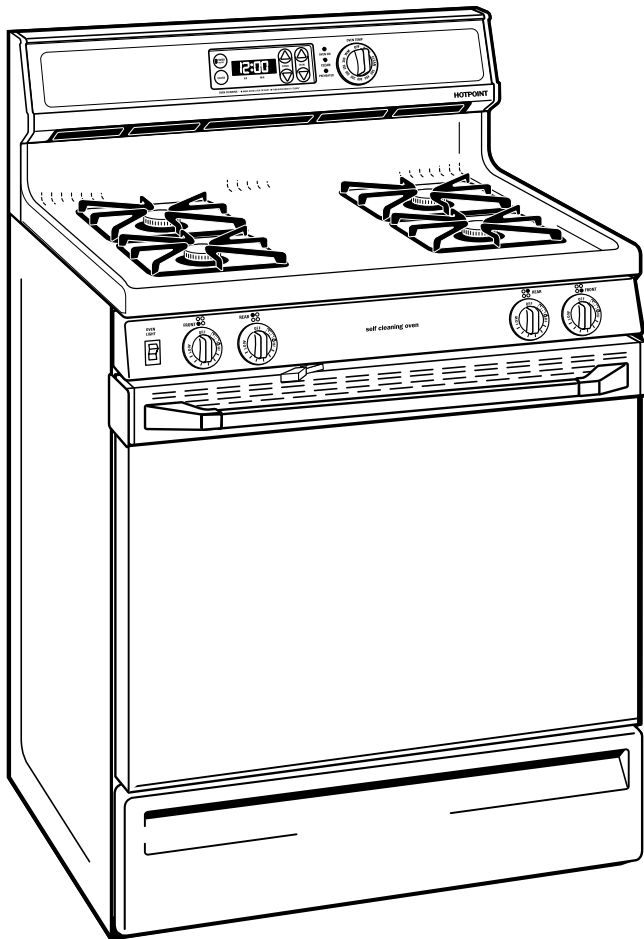


All GE ranges are equipped with an Anti-Tip device. The installation of this device is an important, required step in the installation of the range.



# HOTPOINT

## RGB744WEAWW—30" Free-Standing Gas Range



### Features and Benefits

- Up-Swept Porcelain-Enameled Lift-Up Cooktop
- Twin Cooktop Burners
- Grey Removable Square Grates
- Chrome Removable Drip Pans
- Electronic Pilotless Ignition System
- Extra-Large Capacity Self-Cleaning Oven
- EasySet II Clock and Minute Timer
- Automatic Oven Timer
- In-Oven Broiling
- 2 Oven Shelves / 6 Embossed Rack Positions
- Easy Clean Subtop
- Solid White Frameless Glass Oven Door
- Designer-Style Handle
- LP Conversion Kit Included
- Model RGB744WEAWW—White on White
- Model RGB744BEAWH—White
- Model RGB744BEAAD—Almond

Specification Revised 6/00

## Free Manuals Download Website

<http://myh66.com>

<http://usermanuals.us>

<http://www.somanuals.com>

<http://www.4manuals.cc>

<http://www.manual-lib.com>

<http://www.404manual.com>

<http://www.luxmanual.com>

<http://aubethermostatmanual.com>

Golf course search by state

<http://golfingnear.com>

Email search by domain

<http://emailbydomain.com>

Auto manuals search

<http://auto.somanuals.com>

TV manuals search

<http://tv.somanuals.com>