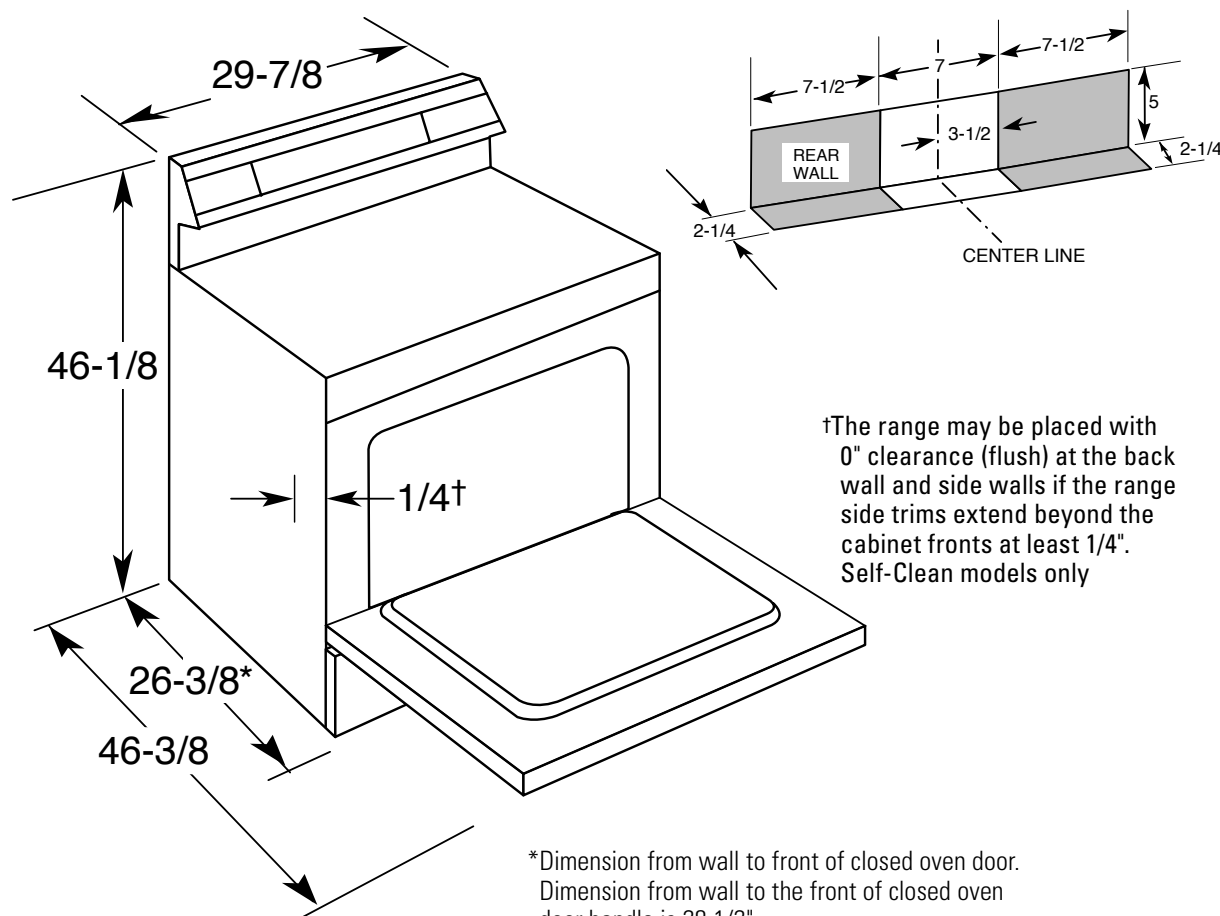


# HOTPOINT®

## RB540SP– Hotpoint 30" Free-Standing Electric Range

### Dimensions (in inches)



\*Dimension from wall to front of closed oven door.  
Dimension from wall to the front of closed oven door handle is 28-1/2".

Amp Rating	
240V	12.6
208V	9.9
Breaker Size	
40 Amps†	

†Note: Check local codes for required breaker size.

**Note:** 30" Electric Ranges conform to U.L. requirements for 0" spacing from walls below countertops. Allow 1-1/2" spacing from the side of the range to adjacent vertical walls above the cooktop surface.

**Receptacle Locations:** Locally approved flexible service cord or conduit must be used because terminals are not accessible after range installation. See shaded area in drawing for location of electrical outlet box. Recommended outlet locations allow range to be installed directly against rear wall.

**Installation Information:** Before installing, consult installation instructions packed with product for current dimensional data.



All Hotpoint ranges are equipped with an Anti-Tip device. The installation of this device is an important, required step in the installation of the range.



Listed by  
Underwriters  
Laboratories

Specification Revised 12/08

420408

# HOTPOINT®

## RB540SP– Hotpoint 30" Free-Standing Electric Range



### Features and Benefits

- Super-Large Oven Capacity - Provides an impressively large oven interior for cooking more dishes and large meals at one time
- Coil Heating Elements - Provides consistent and even heat on the cooktop with a plug-in element that is removable for easy cleaning
- Electronic Clock And Timer - Features a convenient digital clock and easy-to-use timer with an audible signal to help coordinate cooking times in the kitchen
- Big View Window - Provides a large, convenient viewing area to check the progress of food
- Porcelain Upswept Cooktop - Features raised edges to help contain spills and make clean-up easy
- Chrome Drip Bowls - Contain minor spills and are removable for easy cleaning
- Interior Oven Light - Supplies light to make viewing the progress of cooking easy and convenient
- Two Oven Racks - Feature a durable construction to help accommodate any size or type of cookware
- Model RB540SPSA – Silver metallic

Specification Revised 12/08

420408

## Free Manuals Download Website

<http://myh66.com>

<http://usermanuals.us>

<http://www.somanuals.com>

<http://www.4manuals.cc>

<http://www.manual-lib.com>

<http://www.404manual.com>

<http://www.luxmanual.com>

<http://aubethermostatmanual.com>

Golf course search by state

<http://golfingnear.com>

Email search by domain

<http://emailbydomain.com>

Auto manuals search

<http://auto.somanuals.com>

TV manuals search

<http://tv.somanuals.com>