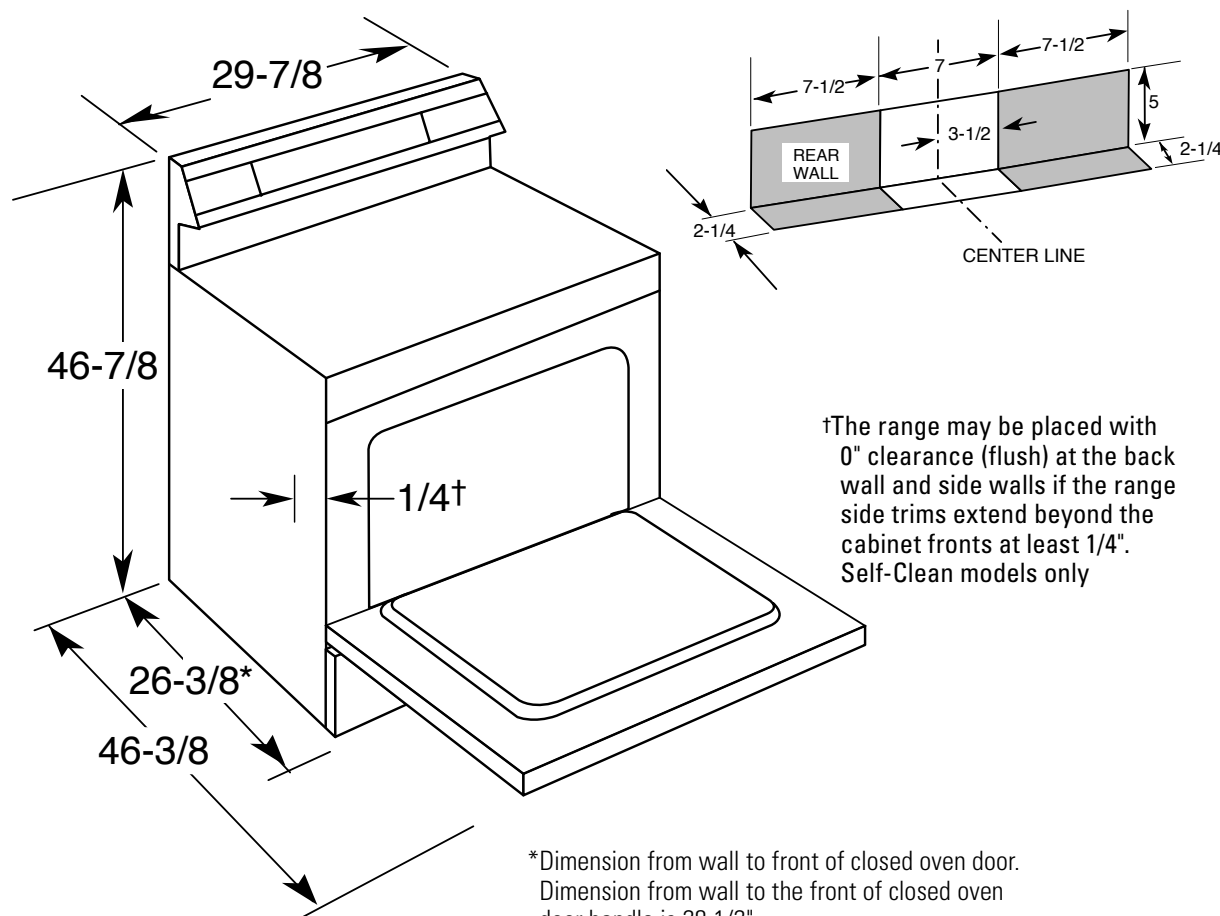


# HOTPOINT®

## RB790SD– Hotpoint 30" Free-Standing Electric Range

### Dimensions (in inches)



\*Dimension from wall to front of closed oven door.  
Dimension from wall to the front of closed oven door handle is 28-1/2".

| Amp Rating   |      |
|--------------|------|
| 240V         | 10.5 |
| 208V         | 7.9  |
| Breaker Size |      |
| 40 Amps†     |      |

†Note: Check local codes for required breaker size.

Effective January 1, 1996, the National Electrical Code requires that new construction (not existing) utilize a 4-conductor connection to an electric range.

**Note:** 30" Electric Ranges conform to U.L. requirements for 0" spacing from walls below countertops. Allow 1-1/2" spacing from the side of the range to adjacent vertical walls above the cooktop surface.

**Receptacle Locations:** Locally approved flexible service cord or conduit must be used because terminals are not accessible after range installation. See shaded area in drawing for location of electrical outlet box. Recommended outlet locations allow range to be installed directly against rear wall.

**Installation Information:** Before installing, consult installation instructions packed with product for current dimensional data.



All Hotpoint ranges are equipped with an Anti-Tip device. The installation of this device is an important, required step in the installation of the range.



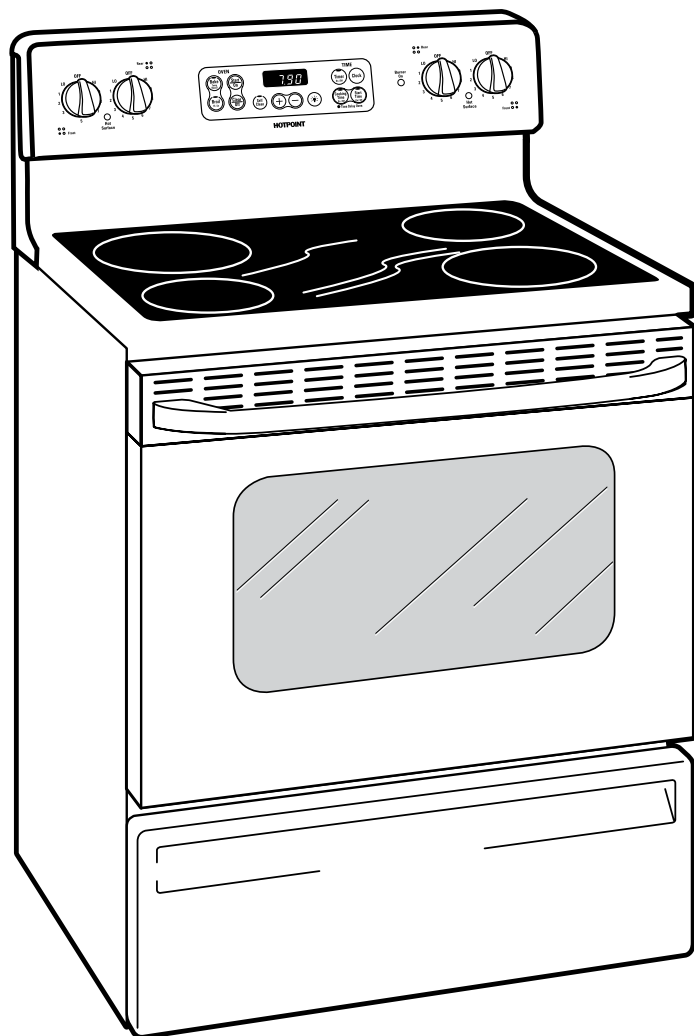
Listed by Underwriters Laboratories

Specification Revised 12/08

420413

# HOTPOINT®

## RB790SD– Hotpoint 30" Free-Standing Electric Range



### Features and Benefits

- Self-Clean Oven - Conveniently cleans the oven cavity without the need for scrubbing
- Ceramic Glass Cooktop - A smooth cooktop surface makes cleaning quick and easy
- Ribbon Heating Elements - Provide powerful heat beneath a smooth glass surface to ensure even heat and fast warm-up times
- Super-Large Oven Capacity - Provides an impressively large oven interior for cooking more dishes and large meals at one time
- Electronic Oven Controls - One-touch electronic pads are easy-to-use and allow for simple oven operation
- Standard Window - Provides a convenient viewing area to check the progress of food
- Frameless Glass Oven Door - Offers an easy-to-clean and stylish design that blends seamlessly into existing cabinetry
- Model RB790SDSA – Silver metallic

Specification Revised 12/08

420413

## Free Manuals Download Website

<http://myh66.com>

<http://usermanuals.us>

<http://www.somanuals.com>

<http://www.4manuals.cc>

<http://www.manual-lib.com>

<http://www.404manual.com>

<http://www.luxmanual.com>

<http://aubethermostatmanual.com>

Golf course search by state

<http://golfingnear.com>

Email search by domain

<http://emailbydomain.com>

Auto manuals search

<http://auto.somanuals.com>

TV manuals search

<http://tv.somanuals.com>