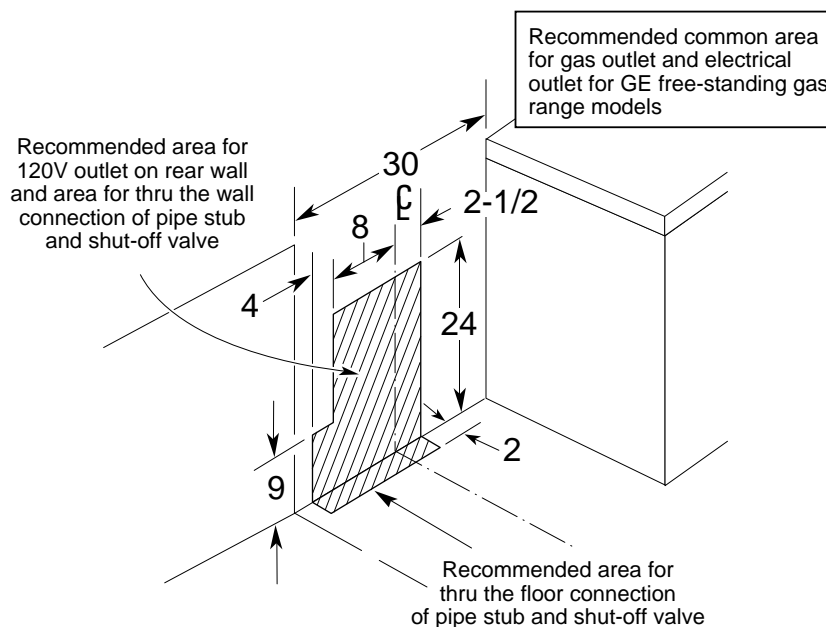
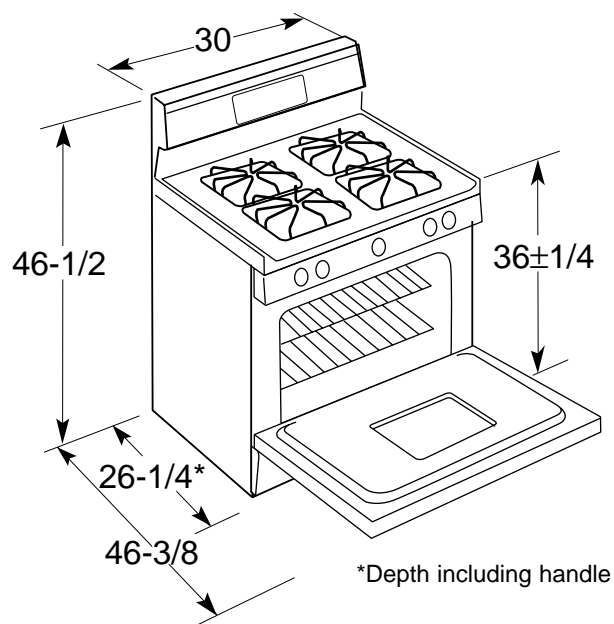


# HOTPOINT

## RGB845WEC—Hotpoint 30" Free-Standing Gas Range

### Dimensions (in inches)



### Installation Information:

Dimensions shown here are the same as those shown on the installation instructions at the time this sheet was printed. Before proceeding with installation, see your Hotpoint supplier for latest detailed preparation and installation instructions or install from the instructions packed with each unit.

### Optional gas range accessory drip pans:

(Available at additional cost)  
To order these accessory drip pans, call toll-free 800-626-2002.

Specification Created 3/01

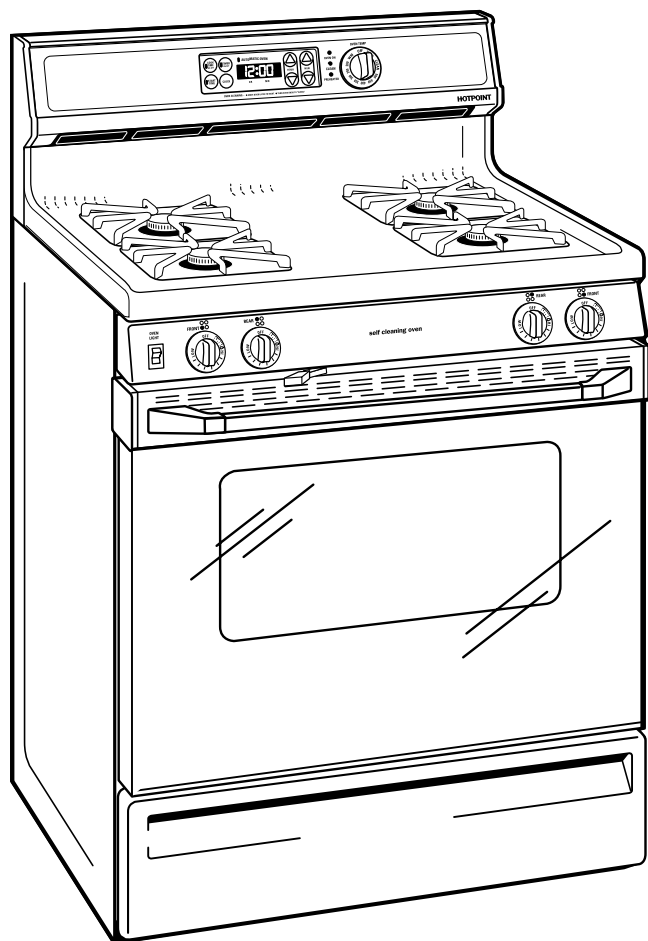


All GE ranges are equipped with an Anti-Tip device. The installation of this device is an important, required step in the installation of the range.



# HOTPOINT

## RGB845WEC—Hotpoint 30" Free-Standing Gas Range



### Features and Benefits

- Up-Swept Porcelain-Enameled Cooktop
- Sealed Gas Burners
- 1 (12,000/2,200 BTU) Performance Plus Burner
- 2 (9,500/850 BTU) All-Purpose Burners
- 1 (5,000/600 BTU) Simmer 600 Burner
- Black Removable Heavy Steel Square Grates
- Black Porcelain-Enameled Removable Drip Pans
- Electronic Pilotless Ignition System
- Extra-Large Capacity Self-Cleaning Oven
- EasySet III Clock and Minute Timer
- Electronic Automatic Oven Timer
- In-Oven Broiling
- 2 Oven Shelves / 6 Embossed Rack Positions
- Black Frameless Glass Oven Door with Big-View Window
- Designer-Style Handle
- Removable Storage Drawer
- LP Conversion Kit Included
- Model RGB845WECWW—White on White

Specification Created 3/01

## Free Manuals Download Website

<http://myh66.com>

<http://usermanuals.us>

<http://www.somanuals.com>

<http://www.4manuals.cc>

<http://www.manual-lib.com>

<http://www.404manual.com>

<http://www.luxmanual.com>

<http://aubethermostatmanual.com>

Golf course search by state

<http://golfingnear.com>

Email search by domain

<http://emailbydomain.com>

Auto manuals search

<http://auto.somanuals.com>

TV manuals search

<http://tv.somanuals.com>