

Hotpoint Service and Spares

FOR SERVICE: If you have a problem with your appliance ring your local Service Office.
FOR SPARES and ACCESSORIES: To purchase spares and accessories send your Accessories Order Form to your Spares Centre. If the accessory or spare part you want is not on the form, contact your Spares Centre for prices and availability.
 Please address all correspondence to Hotpoint Spares Centre or Hotpoint Service Office as applicable.

Service Offices and Spares Centres are open between 8.00am-5.00pm Monday to Friday, except on Public Holidays. 8.30am-12.30pm on Saturdays.

- Service Office and Spares Centre
- Service Office only

EAST

● **ESSEX:** Industrial Buildings, Beehive Lane, Chelmsford, CM2 9TF.

Post Codes RM & IG Tel: (0245) 482433

Penarmon of Essex Tel: (0245) 288331

● **PETERBOROUGH:** Chala Road, PE2 3UB Tel: (0733) 64741

For Spares Spares Administration Dept. Tel: (0733) 556550

● **LONDON:** 68 East Lane, HA9 7PD Tel: 081-904 4399

For Service S. Haris and Middlesex Tel: 081-908 4722

Post Codes N, NW, E, EC, Tel: 081-908 4722

Post Codes W, WC, SE, SW Tel: 081-908 2511

● **MIDDLESEX:** Tel: 081-904 0201

For Spares Westgate, Actridge, W. Midlands, WS9 8UX.

● **BIRMINGHAM:** Post Codes B Tel: (0922) 748374

All other Post Codes Tel: (0922) 743376

● **NOTTINGHAM:** Tel: (0922) 743377

For Service Ashing Street, NG2 3JB Tel: (0602) 982431/984322

● **STOKE:** Tel: (0602) 882431/984322 For Spares Tel: (0602) 980387

West Ave, Nelson Estate, Tulse, ST7 1TN Tel: (0782) 774511

● **NORTH EAST:** 8 Beale House, Tower Road, Glover Est, District 11, NE37 2SH

● **WASHINGTON:** Tel: 091-417 3500/419 3535

For Service Sandbeck Lane, LS22 4TW

● **WETHERBY:** Tel: (0937) 581261/581444 For Spares Tel: (0937) 581221

For Service Marnfold House, 26 Highgate, LA9 4SX Tel: (0539) 724483

● **NORTH WEST:** 44/46 Station Road, Heaton Mersey, Stockport, SK4 30T.

● **KENDAL:** Manchester North Tel: 061-432 0513

● **MANCHESTER:** Manchester South Tel: 061-442 8677

For Service Tel: 061-432 0255

● **NERHTON:** 7 Bridle Way, Messydale Tel: 051-525 2342/524 2339

For Service Holbeck House, 68 Garden Place, AB1 1UL Tel: (0224) 642283

● **SCOTLAND:** 35 West Bowling Green Street, Leith, EH6 5NX Tel: 031-554 1431

● **ABERDEEN:** West Lodge Road, Blythswood Estate, PA4 9FN

● **EDINBURGH:** Tel: 041-886 6241 For Spares Tel: 041-886 5611

For Service Larfield Trading Est, New White Lane, Larfield, ME20 6SW

● **RENFREW:** CT DA, ME & TN Kent Post Codes Tel: (0822) 718571

For Service CR, KT, RH, SM Surrey & BR Kent Post Codes (0822) 790707

● **SOUTH:** GU Post Codes in Surrey Tel Southampton (0703) 567374

● **SOUTHAMPTON:** Tel: (0822) 716631

For Spares Unit R, S Hampshire Ind Park, Salisbury Rd, Totton, SO40 3SA

● **SUSSEX:** Tel: (0703) 861981/867374 For Spares Tel: (0703) 867933

For Service 1 Kingswood, North St, Halesham, BN27 1DC Tel: (0323) 842733

● **PLYMOUTH:** 69 Mulley Plain, PL4 6JH Tel: (0752) 262631

For Service Conwy Rd, Llandudno Junction, LL31 9NE Tel: (0492) 573536

● **WALES:** 18 Western Ave, Bridgend Ind Estate, Bridgend, CF31 3SL

For Service Post Codes CF, SA & SY23-25 Tel: (0656) 664121

● **NORTH:** Post Codes BS, CL (Ind 55), HR, SY15-18, LD1-8, NP Tel: (0656) 665554

For Spares Tel: (0856) 766111

IRELAND

● **NORTHERN:** 256 Ormeau Road, Belfast, BT7 2TZ

Tel: (0232) 647111

● **EIRE:** 49 Airways Ind Estate, Dublin 17

For Service Tel: Dublin 426088

For Spares Tel: Dublin 426886

CHANNEL ISLANDS

— Service provided by Agents. Normal Guarantees apply and all Service Schemes are available.

● **JERSEY:** 19 Don Street, St. Helier

Tel: (0534) 21625

or Clos D'Ormes, Pontac, St Clements. Tel: (0534) 54808

● **GUERNSEY & SARH:** Valdes Stores, Grande Rue, St Martins, Guernsey. Tel: (0481) 38422

or Barras Lane, Vale

● **ALDERNEY:** Tel: (0481) 51610

32 High Street, Tel: (0481) 822686

ISLE OF MAN

— Service provided by Agents. Normal Guarantees apply and all Service Schemes are available

from 5 Dunnington St., Douglas.

Tel: (0624) 673233

or Tromode Works, Cronkbourne Village, Douglas

Tel: (0624) 676066

or 17 Ridgeway Street, Douglas, Tel: (0624) 25811/25848

SHETLAND, ORKNEY & WESTERN ISLES

— Service provided by Agents. Normal Guarantees apply, but Service Schemes are NOT available

● **SHETLAND:** Fort Road, Lerwick

Tel: (0959) 2557

● **ORKNEYS:** Hairston Ind Estate, Kirwall

Tel: (0856) 5457

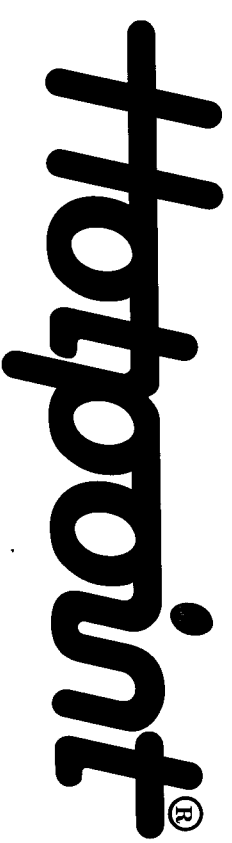
● **WESTERN ISLES:** 27 Bayhead Street, Stromoway, Isle of Lewis

Tel: (0851) 3387

● **OTHER ISLANDS:** Local Hydro Electric Shops

● **EXCEPT ARRAN, BUTE & SKYE** — which are covered by Hotpoint.

HOTPOINT HANDBOOK
 COMBINATION
 FRIDGE FREEZERS
 MODELS 8562 AND 8556



Your new Hotpoint Combination Fridge Freezer

Using your new fridge freezer is very simple. Nevertheless, for your own safety and to get the best results it is important that you read right through this handbook **before** using your fridge freezer for the first time. Also do not load the freezer compartment immediately the fridge freezer is switched on, but wait until the correct storage temperature has been reached (see page 9).

Electrical Requirements

We recommend that this appliance is connected to the mains supply via a suitable switched socket in a readily accessible position.

All Hotpoint appliances come complete with a fitted plug. The plug on your fridge freezer has a 13A fuse. If the plug does not fit your sockets, a new plug can be fitted. Cut off the old plug and throw it away, do not insert it into a socket elsewhere in the house as this could cause a shock hazard.

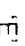
WARNING: THIS APPLIANCE MUST BE EARTHED.

IMPORTANT: Fitting a Different Plug:

The wires in the mains lead are coloured in accordance with the following code:

- Green and Yellow – Earth
- Blue – Neutral
- Brown – Live

If you fit your own plug the colours of these wires may not correspond with the identifying marks on the plug terminals. This is what you have to do:

1. Connect the green and yellow (Earth) wire to the terminal in the plug marked 'E' or with the symbol , or coloured green or green and yellow.
 2. Connect the blue (Neutral) wire to the terminal in the plug marked 'N' or coloured black.
 3. Connect the brown (Live) wire to the terminal marked 'L' or coloured red.
- With alternative plugs a 15A fuse must be fitted either in the plug or adaptor or in the main fuse box. In the event of replacing a fuse in the plug supplied, a 13A ASTA approved fuse to BS1362 must be fitted.

If the plug is the moulded on type the fuse cover must be refitted when changing the fuse. In the event of losing the fuse cover the plug must **not** be used until a replacement fuse cover has been obtained and fitted. A new fuse cover can be obtained from your nearest Hotpoint Spares Centre or local Electricity Company. The colour of the correct replacement fuse cover is that of the coloured marks or insert in the base of the plug.

Mains Lead Replacement

If the mains lead on this appliance needs replacing at any time, it must be replaced by a special lead which is obtainable from your nearest Hotpoint Service Office (see back page). A charge will be made for the replacement of the mains lead if you have damaged the lead or require a longer lead.

WARNING:

HOW TO AVOID ACCIDENTS TO CHILDREN. WHEN DISCARDING AN OLD FRIDGE OR FREEZER BE CERTAIN TO MAKE THE LOCK UNUSABLE. IF POSSIBLE, REMOVE THE DOORS AND DISCARD SEPARATELY. DO NOT ATTEMPT TO STAND ON TOP OF YOUR APPLIANCE. IT IS NOT DESIGNED FOR SUCH USE AND YOU COULD INJURE YOURSELF OR DAMAGE THE APPLIANCE BY SUCH ABUSE. DO NOT ALLOW CHILDREN TO PLAY WITH THE APPLIANCE OR TAMPER WITH THE CONTROLS.

Hotpoint Service Cover

Satisfaction Guaranteed or Your Money Back

Hotpoint gives you a unique 'Satisfaction Guaranteed' promise – valid for ninety days after you have purchased your Hotpoint product. If there is a problem with your Hotpoint appliance just call your Hotpoint Service Office. If necessary we will arrange for an engineer to call. If the problem is not resolved by us under this Guarantee, Hotpoint will replace your appliance or, if you prefer, give you your money back. This Guarantee is additional and subject to the terms of Hotpoint's Five Year Parts Guarantee.

Hotpoint's Free Five Year Guarantee

From the moment your appliance is delivered, Hotpoint guarantees it for **FIVE YEARS**.

- In the Five Years all replacement parts are **FREE** provided they are fitted by our own Service Engineer. During the first year our Engineer's time and labour is also free. Our Guarantee also covers loss of food in our Refrigeration and Freezer products up to £250 during the first year.
- After the first year we will charge for our Engineer's time and labour. We do, however, operate a range of Service Plans (see opposite) which for an annual payment enables you to cover any repair costs which may be necessary.
- All our service repairs are guaranteed for twelve months in respect of our labour and any parts fitted.
- The appliance must be used in the United Kingdom and must not be tampered with or taken apart by anyone other than our own Service Engineer.
- You may, however, buy parts which can be safely fitted without specialist knowledge or equipment. The correct fitting of such parts, provided they are genuine Hotpoint spares, will not affect your Guarantee. Parts are available from our main Hotpoint Spares Centres (see back page).
- Our Guarantee does not cover the cost of any repair which is needed because of power cuts, accidents or misuse. Nor does it cover the cost of any visit to advise you on the use of the appliance. Please read the instruction book thoroughly.
- If at any time during the Guarantee period we are unable to repair your appliance, we will refund any repair costs paid to us in the previous twelve months. We will also offer you a new appliance at a reduced charge instead of a repair.
- Our Guarantee is in addition to and does not affect your legal rights.
- Should you need independent advice on your consumer rights, help is available from your Consumer Advice Centre, Law Centre, Trading Standards Department and Citizens Advice Bureau.

- All Hotpoint servicing is done by our own Service Organisation located throughout the United Kingdom and Southern Ireland. It will be happy to deal with any problems.

Hotpoint's Service Care

Whether you have just one or a number of Hotpoint appliances in your kitchen Hotpoint has a range of Service Schemes to give you complete peace of mind.

Service Cover

A single payment covers you for all repairs during the period of cover, which can be from 1 to 4 years. There is also an option of Service Cover with Maintenance at an additional cost. This includes an annual Electrical and Safety check and replacement of any parts as necessary. For 1 year contracts this takes place towards the end of the contract period.

Kitchen Cover

An annual payment covers you for all repairs for all your Hotpoint appliances which are less than ten years old. It also covers the cost of loss of food up to £250 in our refrigeration and freezer products. There is also an option of Kitchen Cover with Maintenance at an additional cost. Any additional Hotpoint appliances purchased after you have joined Hotpoint Kitchen Cover will automatically be included during the annual period of cover without further charge.

Appliance Registration

To ensure that you have the opportunity to benefit from any of the above Service Schemes you should complete and return immediately the Appliance Registration Form supplied with your appliance. Full details and costs of our Service Schemes together with an application form will be sent to you at the end of the first year of the guarantee.

Annual Safety/Maintenance Checks

Hotpoint strongly recommends that all its appliances are regularly checked for electrical and mechanical safety whether or not they are covered by a Service Plan.

Proof of Purchase

For future reference please attach your purchase receipt to this booklet and keep it in a safe place.

Spares and Accessories

Spares and accessories can be ordered from your local Hotpoint Spares Centre (listed on the back page), using the order form enclosed.

NOTE: Our Engineer will use every effort to avoid damage to floor coverings and adjacent units when carrying out repairs/service work but in locations where the Engineer advises you that it will be impossible to move the appliance without risk of damage, he will only proceed with your approval that no liability is accepted.

16. Fit the bottom hinge (and spacing washers) into the bottom hinge bush, positioning the door so that it fits evenly with the cabinet sides.
 17. Using the two fixing screws secure the bottom hinge to the cabinet.
 18. Replace the adjustable front feet, setting them 36mm from the bottom of the cabinet to the bottom of the foot.
 19. Carefully stand your fridge freezer upright (you may need assistance for this) in the required location. Adjust the front feet until all four feet are in firm contact with the floor and the fridge freezer does not rock. **(See Installing Your Fridge Freezer).**
 20. Check the doors open and close freely. Ensure door seal is seated evenly around the cabinet.
 21. Finally put back all the loose items/fittings.
 22. The fridge freezer must be stood upright for at least 15 minutes before being switched on.
- NOTE:** If difficulties are encountered, contact your local Service Office.

Contents

THIS BOOK COVERS MODELS 8562 AND 8556

	Page
Get to know your Fridge Freezer	4
Installing your Fridge Freezer	5-6
Where to put your fridge freezer	
Fitting decor panels to match your kitchen units	
Getting your Fridge Freezer ready for use	7
Starting and Running In	
The Controls	7-8
Controlling the temperature	
The lights – what they mean	
Fast Freeze switch	
Economy switch	
Storing Food	9-12
Storing food in the fridge compartment	
Storing already frozen food in the freezer compartment	
Freezing fresh foods – maximum freezing loads and how to freeze them	
Do's and Don'ts	
Caring for your Fridge Freezer	13-15
Defrosting	
Cleaning	
Going Away	
Replacing the interior light	
If your Fridge Freezer won't work	16-19
Repositioning the door hinges	
Hotpoint Service Cover	
Hotpoint Service Offices and Spares Centres	Back Page
Retention of the Instruction Book	

This Instruction Book must be kept handy for reference as it contains important details on the safe and proper use of the appliance.

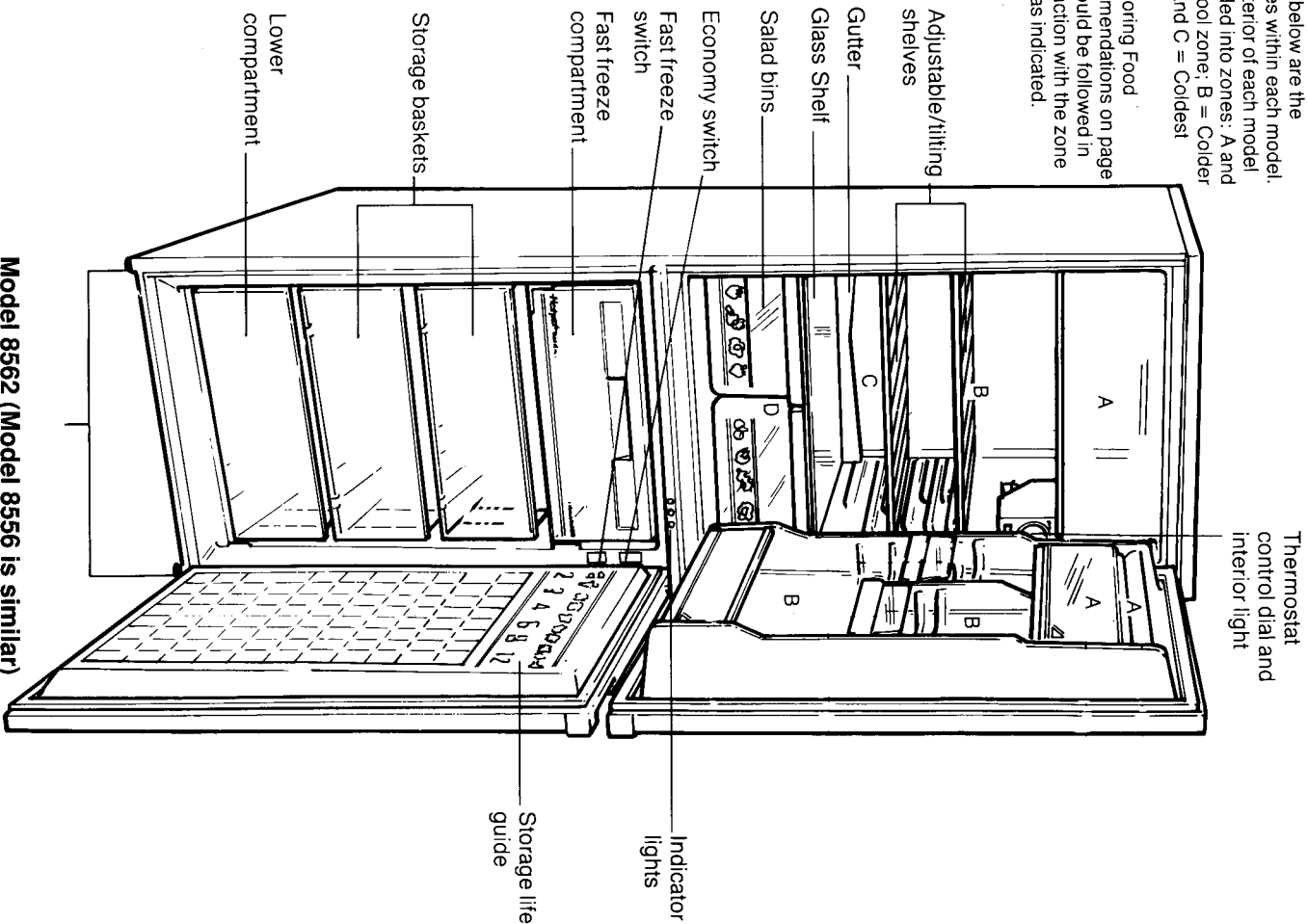
If you sell or pass the appliance to someone else, or move house and leave it behind, make sure this Book is also provided so the new owner can become familiar with the appliance and safety warnings.

If the Book is lost or damaged a copy may be obtained from Hotpoint Ltd, Celita Road, Peterborough, PE2 9JB.

Get to know your Fridge Freezer

Listed below are the features within each model. The interior of each model is divided into zones: A and D = Cool zone, B = Colder zone and C = Coldest zone.

The Storing Food recommendations on page 10 should be followed in conjunction with the zone areas as indicated.



Model 8562 (Model 8556 is similar)

Repositioning the door hinges

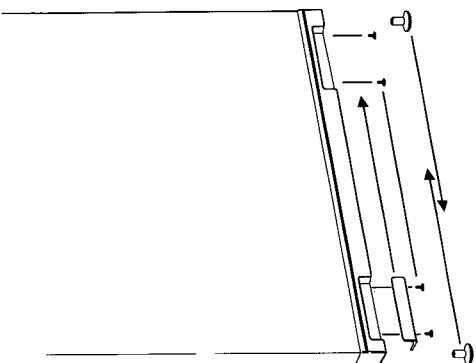
Just follow the step by step instructions below:

Tools required: A 7mm/8mm A/F Spanner or a No. 2 Pozidriv.

1. Remove all loose items/fittings from inside the fridge freezer.
2. Carefully lay the fridge freezer on its back (you may need a second person to support the fridge freezer). **Take care to avoid damage to the pipework by keeping it clear of the floor or by laying it on some protective material (eg. its original packaging).**
3. Unscrew and remove the two front feet.
4. Unscrew and remove the bottom hinge. Ensure any spacing washers fitted, and the fixing screws, are kept with the hinge.
5. Remove the lower door by gently pulling it downwards. Stand the door carefully to one side.
6. Unscrew and remove the centre hinge from the support bracket, ensuring any spacing washers fitted, are kept with the hinge and screws.
7. Remove the top door and stand it carefully to one side.
8. Unscrew and remove the top hinge, then replace the screws.
9. Remove the two hinge fixing screws on the top left hand side and use them to refit the top hinge.
10. Remove the plate from the front/bottom left hand side of the cabinet and refit on the right hand side where the bottom hinge was.

11. Preparing the door for change over.

- a) Remove the top and bottom hinge bushes and the blanking plug, with a thin blunt instrument taking care not to mark the handle. Reposition on the opposite side.
- b) Unscrew and remove the handle insert and replace the screws. Refit the insert with the screws from the left hand side.



12. Refit the top door, sliding it upwards, locating the top hinge pin in the door hinge bush.
13. Fit the centre hinge (and spacing washers) into the bottom hinge bush of the top door, positioning the door so that it fits evenly with the cabinet sides.
14. Using the two fixing screws secure the centre hinge to the support bracket.
15. Refit the bottom door sliding it upwards locating the centre hinge in the door hinge bush.

If your Fridge Freezer won't work

... don't panic
Just run through these quick checks before calling your nearest Hotpoint Service Office.

1. Check that the plug is firmly in the wall socket and that the power supply is on.
2. Check the power supply to the socket by plugging in another appliance.
3. If the other appliance works, check the fuse in the fridge freezer's plug.
4. If you have changed the plug, check the wiring (see page 2).
5. If there is excessive noise or vibration, check that all four feet are firmly in contact with the ground (see page 5).
6. If the interior light fails to work, refer to page 17 for further instructions.
7. If water appears down the inside back of the fridge compartment, check that the gutter drain hole has not become blocked and that there is nothing touching the cooling plate. (NB Water droplets on the cooling plate are quite normal.)
8. If water droplets appear on the outside of the cabinet, check that you have the Economy switch set on 'H' (see page 10).
9. You may find the freezer compartment door difficult to open just after you have used it. This is due to a pressure difference which will soon equalise. Wait a few minutes then open the door.

If, after following all these instructions, you are still having problems, contact your nearest Hotpoint Service Office (or local importer if outside the United Kingdom). The telephone number is shown on the back page.

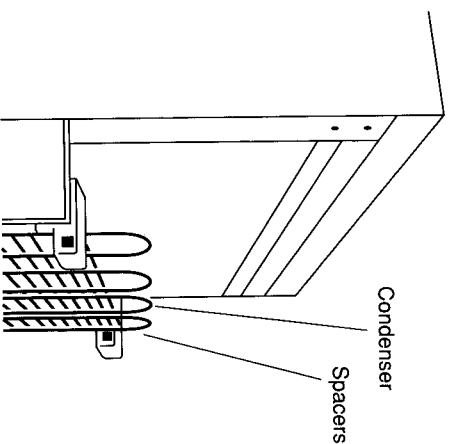
When you contact us we need to know:

1. Your name, address and post code.
2. Your telephone number.
3. Clear and concise details of the fault.
4. The model number (8562 or 8556), serial number (found on the label on the underside of the front top of the appliance), and colour.
5. When it was purchased. Please put the date here
.....
6. If you have subscribed to the Hotpoint Service Cover Plan (see opposite page).
Make sure you have all these details before you call.

Installing your Fridge Freezer

Where to put your fridge freezer

Your fridge freezer should be placed where it is easy to use, alongside a work surface is often a good position. Avoid putting it near anything which gives off heat, a cooker or radiator for example. In such a position your fridge freezer will have to work harder and will cost more to run and may be damaged by the heat.



Once you have decided on the most suitable place, fit the two wall spacers supplied to the top of the condenser as shown and push the freezer back until the spacers are against the wall. This automatically ensures adequate air circulation at the back of the fridge freezer.

If your fridge freezer is placed underneath any wall cupboards, make sure that there is a gap of at least 100 mm (4in) between the top of the fridge freezer and the underside of the cupboards. Finally, make sure your fridge freezer is standing correctly by carefully adjusting the two front feet by turning

them clockwise or anti-clockwise, until all four feet are in firm contact with the floor. Correct adjustment avoids excessive vibration and noise.



Fitting decor panels to match your kitchen units

For that fully co-ordinated kitchen look it is possible to fit matching decor panels to your fridge freezer. Special trim kits are available from Hotpoint that attach to the edges of the appliance doors and enable decor panels, up to 4mm (1/8in) thick, to be fitted. Decor panels are available from most kitchen suppliers.

Each door requires a separate trim kit:

- Top door requires trim kit Part No. 8001 (Brown) or Part No. 8004 (White)
- Bottom door requires trim kit Part No. 8001 (Brown) or Part No. 8004 (White)

These are available from your retailer or nearest Hotpoint Spares Centre (see back page) using the Accessories Order Form supplied with your Fridge Freezer.

Commodity rack adjustment, see Fig 1

The commodity racks have been designed to be adjustable which enables you to make maximum use of the storage capacity of the inner door. To remove the commodity rack simply lift the front of the rack to release it from the fixing groove in the door liner. To replace the rack tilt the back of the rack and push it into the preferred fixing position (see diagram below). Ensure that the rack is securely fixed before loading by applying light downward pressure to the front of the rack.

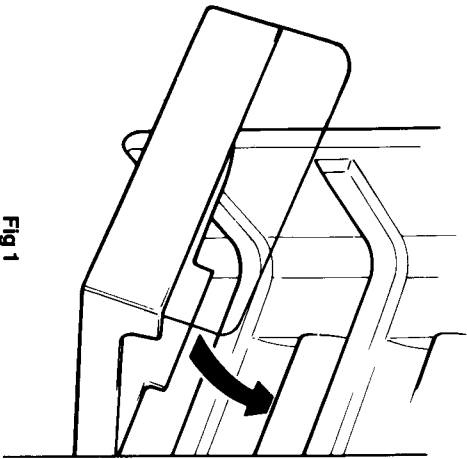


Fig 1

Adjustable/Tilting shelves, see Fig 2

The shelving system in the fridge interior has also been designed to provide maximum storage flexibility. It is possible to position the shelves at various heights to suit the items being stored and it is also possible to tilt certain shelves thereby allowing safe storage of bottles and jars on their sides. To tilt a shelf place the shelf hanger (A) at the back of the shelf on a lower level as the main body of the shelf (B) (see diagram below).

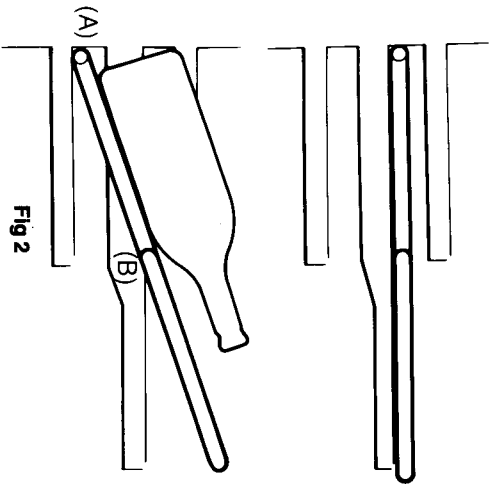


Fig 2

interior. **Always** leave both doors ajar to prevent the accumulation of odours.

How to replace the interior light

Should the light fail to work, **switch off and pull out the mains plug**, then ensure the bulb is screwed securely into the bulb holder.

Replace the plug and switch on. If the light still fails to work, do not worry, it will not affect the working of your fridge freezer. Obtain a replacement SES-15 Watt bulb from a local electrical retailer or your nearest Hotpoint Spares Centre and then fit it as follows:

1. **Switch off and pull out the mains plug.**
2. Remove the wire shelves to make access easier.
3. Slacken off the lamp guard, undoing the pozidriv retaining screw by one turn.
4. Unclip and remove the lamp guard.
5. Unscrew the old bulb and fit the new one.
6. Refit the lamp guard, ensuring that the two legs opposite the retaining screw fit into the holes.
7. Retighten the retaining screw.
8. Replace the plug and switch on.

Spare Parts

Please remember your new appliance is a complex piece of equipment.

'DIY' repairs or unqualified and untrained service people may put you in danger, could damage the appliance and might mean you lose cover under Hotpoint's Parts Guarantee.

If you do experience a problem with the appliance don't take risks; call in Hotpoint's own Service Engineer. The address and telephone number of your nearest Hotpoint Service Office is in your local telephone directory.

Our spare parts are designed exclusively to fit only Hotpoint appliances. Do not use them for any other purpose as you may create a safety hazard.

Caring for your Fridge Freezer (cont.)

6. Sponge out the defrost water which collects in the bottom of the freezer.
7. After defrosting remove the bowls and dry the interior thoroughly before replacing the baskets.
8. Replace the mains plug and switch on. Press '★' (on) on the Fast Freeze switch. Unwrap the frozen food and replace. Close the door.
9. After three hours press 'O' (off) on the Fast Freeze switch. The amber light will go out.
10. Job done!

Cleaning your fridge freezer

It is a good idea to clean the inside of your fridge freezer after defrosting. Always **switch off and pull out the mains plug** first. Wipe out the inside of the fridge freezer using a clean cloth wrung out in either a solution of one teaspoonful of bicarbonate of soda to one pint of water or Milton diluted according to the manufacturer's instructions. The complete interior including the door, and removable parts, should be washed. The commodity and bottle racks and ice cube tray may be washed in a dishwasher, but only if positioned in the top rack and on a low temperature programme. **Never** use any household cleaner or detergent, abrasive powders or wax polish. These not only damage the surfaces, but also leave a smell in the fridge freezer. Make sure that no particles of food are left in the gutter in the fridge compartment. Before you refill the fridge freezer ensure it is thoroughly dry.

Clean the outside of the fridge freezer, **but not the door seal**, with a damp cloth, using a small amount of detergent, followed by a wipe down with a clean cloth. **Do not**

use an abrasive powder. **The rubber door seal must be cleaned with soap and water only as detergent will damage it.**

Finally, the compressors and condenser at the back of the fridge freezer can be carefully cleaned. Use a brush or vacuum cleaner to remove any dust. **Always** check that the fridge freezer is disconnected from the mains when doing this.

Remember to replace the mains plug and switch on after cleaning your fridge freezer.

Going away

If you expect to be away for any length of time and don't want to use the fridge compartment, turn the thermostat control inside the compartment to 'O' (off). Remove all food and wipe out the interior. Always leave the door ajar to prevent the accumulation of odours.

If you don't want to use the freezer compartment either, switch off at the power point and pull out the plug. Remove all food and follow the defrosting instructions (see pages 15 and 16). After defrosting dry out the

Getting your Fridge Freezer ready for use

Before using your fridge freezer for the first time the interior, including the door, and all removable parts should be wiped out. Use a damp cloth wrung out in either a solution of one teaspoonful of bicarbonate of soda to one pint of water or Milton diluted according to the manufacturer's instructions.

WARNING: NEVER USE ANY HOUSEHOLD CLEANER OR DETERGENT. ABRASIVE POWDERS OR WAX POLISH. THESE NOT ONLY DAMAGE THE SURFACES, THEY ALSO LEAVE A SMELL IN THE FRIDGE FREEZER.

Final check

Before you start using the fridge freezer, check that

1. it is thoroughly dry inside,
2. the interior air can circulate freely,
3. the feet have been adjusted, ie. all four are firmly on the ground.

Starting

Insert the plug into the socket outlet and switch on the electricity supply. The green (mains) and red (temperature warning) lights will come on together and the freezer compartment will start working. You will hear a noise as the compressor starts up.

The liquid and gases sealed within the refrigeration system may give rise to noise, whether the compressor is running or not. This is quite normal.

If you are going to store already frozen food, open the freezer compartment door and check that the Fast Freeze switch is at 'O' (off). The red light will go out when the freezer has reached the correct temperature. Then you can put in your frozen food. If you are going to freeze fresh food, you must press '★' (on) on the Fast

Freeze switch. The amber light will come on and you must **wait at least three hours** before putting in your fresh food to be frozen. Do not put more than 12 kg (26.5 lb) of fresh food to be frozen into the freezer compartment (see page 12).

Open the fridge compartment door and the light will come on. There is a control dial on the right hand side of the interior. Turning the dial clockwise from 'O' (off) will start the fridge compartment working. You will hear a noise as the compressor starts up.

Running-in the compressors

Your fridge freezer is operated by two compressors which switch on and off in order to maintain the fridge freezer's temperature. The compressors are precision pieces of machinery and, like a car engine, require a running-in period of up to 2 months. During this time the compressors have to work a little harder and this may result in more noise than usual.

The Controls

Controlling the temperature inside the fridge compartment

The temperature inside your refrigerator should be 5°C or less, though some sections such as the Salad Bin will be warmer. Frequent door openings cause higher temperatures inside.

If using a thermometer to check the temperature, it should be left overnight on the centre of the middle shelf preferably in a position where it can be viewed without moving it and read immediately the door is initially opened the following morning. If the temperature reading is not between 0°C and 5°C then the controls should be adjusted (see page 10).

The Controls (cont.)

A fridge/freezer thermometer Part No. 8058 is available to ensure that you maintain your appliance at the correct temperature. This can be ordered from your local Hotpoint Spares Centre (see back page) using the order form enclosed.

WARNING: DO NOT USE A MERCURY FILLED THERMOMETER.

The control dial, on the right-hand side of the fridge compartment interior, controls the temperature inside the fridge compartment and is marked 'O' (off), 1, 2, 3 9. Which setting is selected will depend on where the fridge freezer is located, how often you open the door and the room temperature.

A control setting of 5-6 is usually suitable, but if you find the interior is too warm turn the control clockwise to a colder setting (higher number). Similarly, if you find the interior is too cold, turn the control anti-clockwise to a warmer setting (lower number).

Controlling the temperature inside the freezer compartment

The freezer compartment is fitted with a factory set thermostat control which does not require any adjustment.

In the summer months, or in conditions giving high temperatures around the fridge freezer, the compressors have to work harder and run for longer periods. This is quite normal. Conversely, during cold weather the compressors will run for much shorter periods.

Green mains light

Comes on and stays on as long as the electricity supply is not interrupted.

Red temperature warning light

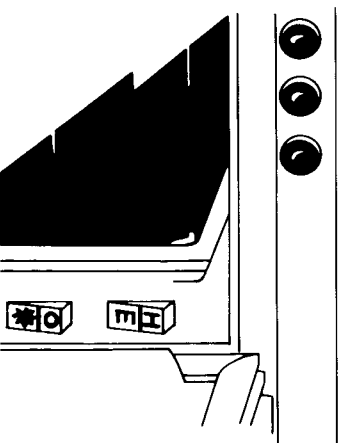
Comes on when the temperature inside the freezer compartment rises above the correct storage temperature. If it comes on for a short period when you open the freezer compartment door to load or unload food, storage times will not be affected. However, if the red light stays on this indicates that something is wrong. First check that the door has not been accidentally left open. If this is not the case, call your nearest Hotpoint Service Office or local importer (outside the United Kingdom). If the delay is likely to be longer than 15½ hours then the food should be either defrosted and eaten immediately, defrosted, cooked and then refrozen or transferred to another freezer.

Fast Freeze switch and amber fast freeze light

Press '★' (on position) when freezing fresh food and the amber light will come on (see freezing fresh foods, page 12).

Economy switch

Your fridge freezer incorporates a low energy heater to reduce condensation on the cabinet sides. Press 'E' (Economy position) for normal conditions. If the room is cold or humid or if freezing fresh food, water droplets may form on the outside of the fridge freezer. When



Caring for your Fridge Freezer

Defrosting

The fridge compartment

The fridge compartment will **automatically** defrost itself and the defrost water will drain out through the hole in the gutter and into a special container where it evaporates. Water droplets will form on the cooling plate during the defrost periods and will freeze on the plate afterwards. If your kitchen becomes exceptionally warm the cooling plate may not defrost regularly. Do not worry. Periodic defrosting will begin again when conditions return to normal.

Do make sure that the gutter is always kept clear and that stored food does not come into contact with the cooling plate.

The freezer compartment

Frost forms on the cold surfaces from the moisture in the air and improperly wrapped food. The frost will build up first on the roof of the fast freeze compartment, towards the front, this is normal.

From time to time remove the frost from this, and other frosted surfaces, using the plastic scraper provided.

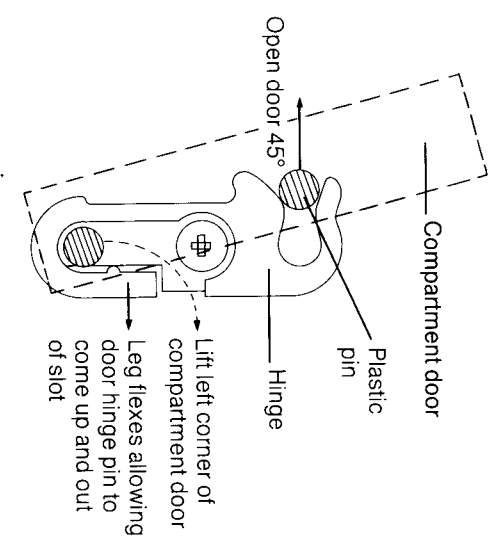
Never use sharp metal tools to remove the frost – they could damage your freezer beyond repair. Periodically you will need to fully defrost your freezer, how often will be dependent on usage. Try to defrost when there is little or no food in the freezer compartment.

Defrosting must be carried out as quickly as possible since a rise in the temperature of your frozen food may reduce the recommended storage time. Just follow these steps:

1. **Switch off and pull out the mains plug.**
2. Remove any frozen food. Wrap it

in several layers of newspaper or a blanket; remove the empty baskets and use them to store the wrapped food – put them in a cool place.

3. Remove the freezer and lower compartment doors. This is done by opening the compartment door 45 degrees and gently lifting and pushing the **left hand** corner so that the pin comes up and out of the special hinge. The door can then be removed from the right hand hinge by pulling the door to the left. To replace each door after cleaning: ensure the upper door pins are positioned in front of the hinges. Fit the right hand, bottom door pin into the bottom slot in the right hand hinge. Then pull the left hand bottom pin through the back slot in the left hand hinge. Press down on the left top corner of the door so that the pin goes fully home in the hinge.
4. Place bowls of hot water (**Do not** use any other heat source) in the Fast Freeze compartment and lower compartment.
5. As soon as the frost begins to melt use the plastic scraper to remove it.



Do's and Don'ts (cont.)

- Don't:** Cover the shelves with any protective materials which may obstruct air circulation through them.
- Don't:** Let anything touch the cooling plate at the back of the fridge compartment.
- Don't:** Store poisonous or dangerous substances in the fridge. Your fridge has been designed for the storage of edible foodstuffs only.
- Don't:** Consume food which has been stored for an excessive time in the fridge.
- Don't:** Let defrosting food or food juices drip onto food in your fridge.
- Freezer compartment**
- Do:** Always choose high quality fresh food and be sure it is thoroughly clean before you freeze it.
- Do:** Prepare fresh food for freezing in small portions to ensure rapid freezing.
- Do:** Remember lean foods last longer than fat foods.
- Do:** Wrap all foods in aluminium foil or freezer quality polythene bags and make sure any air is excluded. Keep the door shut when freezing fresh food.
- Do:** Separate food in different baskets for easy identification.
- Do:** Wrap frozen food when you buy it and put it into the freezer compartment as soon as possible.
- Do:** Empty and refill the ice tray periodically to ensure freshness.
- Do:** Ice cream should be removed from the freezer 15-30 minutes before serving.
- Do:** Store commercially frozen food in accordance with the instructions given on the packets that you buy.
- Do:** Defrost the freezer compartment before the ice becomes thick (see page 15).
- Do:** Always defrost frozen foods before cooking unless instructions on the packet state otherwise.
- Don't:** Exceed the maximum freezing loads when freezing fresh food (see page 12).
- Don't:** Put hot food into the freezer or even in the fridge compartment. Let it cool down first.
- Don't:** Leave the door open for long periods as this will cause excessive ice formation and make the freezer compartment more costly to run.
- Don't:** Put liquid-filled bottles or sealed cans containing carbonated liquids (fizzy drinks, etc) into the freezer compartment as they may burst.
- Don't:** Try to keep frozen food which has thawed; it should be eaten within 24 hours or cooked and refrozen.
- Don't:** Give children lollipops and water ices direct from the freezer compartment. The low temperature may cause 'freezer burns' on their lips.
- Don't:** Store poisonous or dangerous substances in the freezer. Your freezer has been designed for the storage of edible foodstuffs only.

this happens press 'H' (Humid position). The low energy heater will operate continuously and the water droplets will disappear. When conditions return to normal reset the

Storing Food

Storing food in your fridge compartment

Your fridge compartment has been designed to store a wide variety of food items. In order to do this effectively there are different temperature zones inside your refrigerator in order to create the ideal storage conditions. A guide to the maximum storage times is given in the table below. It is advisable to read the storage/use by instructions provided on the packaging. Select chilled foods last when shopping, transport them home in a 'cool bag' and place in the fridge as soon as possible after arriving home. It is advisable to store food in the correct zone. See chart opposite:

Zone	Advisable position for storage
A	Dairy products – Cheese, butter, margarine, low fat spreads, cooking fats/lards.
Zone	Preserves – Jam, curds, marmalades, spreads, salad dressings, sauces, spreads.
B	General food storage.
Colder zone	
C	Fresh meat, fish & poultry.
Coollest zone	Pre-cooked/chilled food. (These items must be stored above any raw meat, fish or poultry.)
D	Vegetables, fruit and salad items.
Salad bin	(Note: It is not possible to store bananas or onions in a fridge.)

switch to 'E' and the heater will operate intermittently.
Note: The outside front edges of the freezer compartment may feel warm. This is normal.

Max. storage time	Days
Raw fresh meat	
joints, steaks, chops	1
offal (liver, kidney etc)	1
minced meat, sausages	1
Cooked meat	
cooked meat	1
made-up dishes and left-overs	1
Poultry	
fresh, whole (store giblets separately)	1
cooked	1
giblets	1
Fish	
raw	1
cooked	2
Bacon	
joints (uncooked)	2-8
rashers	2-10
ham (unsmoked)	1-3
pasteurised and homogenized	1-3
Milk	
fresh	2
Cream	
yogurt, sour cream	2-10
Butter	
unsalted	14-28
Margarine and cooking fats	
hard	21-28
semi hard, blue	7-28
cream, collage	7-14
Cheese	
hard	7-14
soft	7
Eggs	
shell	7-28
hard boiled	1-3
Vegetables	
fresh	2-14
prepared	2-14
Salad	
prepared	1-3

All foods should be wrapped or covered to prevent drying out and flavour transference. Plastic bags, containers with lids, foil and plastic stretch wrap are ideal. Never put hot or warm food into your fridge as this reduces efficiency. Left over canned food should **not** be stored in the can; place it in a covered storage container and place in the fridge.

Storing Food (cont.)

Storing food in your freezer compartment

Your freezer compartment carries the ******* symbol which indicates that it is suitable for the long-term storage of commercially-frozen foods and can also be used to freeze and store fresh food.

The freezer compartment will store up to 32 kg (70lb) of frozen food. This figure is based on an average density of 0.32 kg of mixed food per litre of net storage volume (20lb per cubic foot). In the case of meat it will take appreciably more.

Generally speaking long-term storage means up to 3 months, but this will vary with the nature of the packaged food, so always follow the manufacturer's recommended storage time given on the packet. For storing home frozen fresh food refer to the pictorial guide on the door liner.

If there is a power failure do not open the freezer compartment door.

Frozen food should not be affected if the failure lasts for less than 15½ hours. If the failure is longer then the food should be checked and either eaten immediately or cooked and then refrozen.

Freezing fresh foods

Maximum freezing loads

You can freeze up to 12 kg (26.5 lb) of fresh or cooked food in any 24 hours. Slightly larger quantities can be frozen if the fast freeze switch is set to '★' (on) 24 hours beforehand.

Freezing up to 10kg (22lb)

1. Transfer any frozen food from the Fast Freeze compartment to the storage baskets or lower compartment.

2. Press '★' (on position) on the Fast Freeze switch. The amber Fast Freeze light will come on. If the freezer has not been in use it will be necessary to set the Fast Freeze switch to '★' at least 3 hours before putting in the fresh food.

3. Press 'H' on the Economy switch to avoid condensation on the outside of the freezer compartment.

4. Put the fresh food into the Fast Freeze compartment with as much food as possible in contact with the compartment floors.

5. Leave the Fast Freeze switch on for 24 hours; if the maximum quantity (10kg) is being frozen or proportionally less time for smaller quantities.

6. Reset the Fast Freeze switch to 'O' and the Economy switch to 'E' when freezing is complete.

Freezing up to 12kg (26.5lb)

1. Transfer any frozen food from the Fast Freeze and lower compartments to the storage baskets.

2. Press '★' (on position) on the Fast Freeze switch. The amber Fast Freeze light will come on. If the freezer has not been in use it will be necessary to set the Fast Freeze switch to '★' at least 3 hours before putting in the fresh food. Also, if you set the Fast Freeze switch to '★' 24 hours beforehand you will be able to freeze slightly larger quantities.

3. Press 'H' on the Economy switch to avoid condensation on the outside of the freezer.
4. Put 8kg (17.5lb) of fresh food into the Fast Freeze compartment and the remainder in the lower compartment with as much food as possible in contact with the compartment floors.
5. Leave the switches on for 24 hours then reset the Fast Freeze switch to 'O' and the Economy switch to 'E'.

Do's and Don'ts

Fridge compartment

Do:- Take off any unusable leaves on vegetables and wipe off any soil.

Do:- Leave lettuce, cabbage, parsley and cauliflower on the stem.

Do:- Wrap cheese firstly in greaseproof paper and then in a polythene bag excluding as much air as possible. For best results take out of the fridge compartment an hour before eating.

Do:- Wrap raw meat and poultry loosely in freezer quality polythene or aluminium foil. This prevents drying.

Do:- Wrap fish and offal in polythene bags

Do:- Wrap foods which have a strong odour or can dry out in polythene bags, aluminium foil or place in airtight containers.

Do:- Wrap bread well to keep it fresh.

Do:- Chill white wines, beer, lager and mineral water before serving.

Do:- Make sure the gutter at the back of the fridge compartment is always clear. Remove any particles of food which may collect there.

Do:- Clean your salad drawer regularly.

Do:- Keep raw meat and poultry below cooked foods and dairy products.

Do:- Keep food for as short a time as possible and adhere to 'sell by' dates.

Do:- Ensure that cooked meat and raw meat are packaged separately.

Do:- Ensure that cooked foods are allowed to cool before storing in the refrigerator.

Don't:- Store bananas in the fridge compartment.

Don't:- Store melon in the fridge compartment. It can be chilled for short periods as long as it is wrapped to avoid it flavouring other food.

Don't:- Wash eggs as this removes their natural protective film. Wipe them instead.

Don't:- Use eggs straight from the fridge compartment, especially when making cakes or mayonnaise. Allow them to reach room temperature before use.

Don't:- Leave the door open for long periods as this will make the fridge compartment more costly to run.

Free Manuals Download Website

<http://myh66.com>

<http://usermanuals.us>

<http://www.somanuals.com>

<http://www.4manuals.cc>

<http://www.manual-lib.com>

<http://www.404manual.com>

<http://www.luxmanual.com>

<http://aubethermostatmanual.com>

Golf course search by state

<http://golfingnear.com>

Email search by domain

<http://emailbydomain.com>

Auto manuals search

<http://auto.somanuals.com>

TV manuals search

<http://tv.somanuals.com>