

# Hotpoint Service Offices

SERVICE CALL: If you have a problem with your appliance ring your local Service Office. SPARES and ACCESSORIES: To purchase spares and accessories send your Accessories Order Form to your Spares Centre. If the accessory or spare part you want is not on the form then contact your Spares Centre for prices and availability. Please address all correspondence to Hotpoint Spares Centre or Hotpoint Service Office as applicable.

Service Offices and Spares Centres are open between 8.30am-5.00pm Monday to Friday, except on Public Holidays. 8.30am-12.30pm Saturdays

## EASTERN

- **NORWICH:** 92 Upper St. Giles Street, NR2 1LT. Tel: Norwich (0603) 620581.
- **PETERBOROUGH:** Celta Road, PE2 9JB. Tel: Peterborough (0733) 64741.
- **LUTON:** 50 Crawley Road, LU1 1HX. Tel: Luton (0582) 452211.
- **ESSEX:** Industrial Buildings, Beehive Lane, CM2 9TE. For postal codes RM, IG Chelmsford (0245) 492433 Remainder of Essex Chelmsford (0245) 269331.

## EAST MIDLANDS

- **NORTHAMPTON:** 39B Cambridge Street, NN8 1DW. Tel: Wellingborough (0933) 223669.
- **NOTTINGHAM:** Ashling Street, NG2 3JB. Tel: Service Office Nottingham (0602) 862431/864322 Spares Centre Nottingham (0602) 860387.

## LONDON and SOUTH EAST

- **SUSSEX:** 1 Kingswood, North Street, Hailsham, BN27 1DD. Tel: Hailsham (0323) 842733.
- **WEMBLEY:** 68 East Lane, HA9 7PQ. Tel: Office for S. Herts and Middlesex 081-904 4399 Office for postal codes W, NW, WC, SW 1, 3, 5, 6, 7, 10 081-904 1250 N, E, EC 081-908 4722 SE and rest of SW 081-908 2511 Spares Centre 081-904 0201.
- **KENT:** Larkfield Trading Estate, New Hythe Lane, Larkfield, ME20 6SW. Tel: Service Office Maidstone (0622) 716571 Spares Centre Maidstone (0622) 716531.

## CHANNEL ISLANDS

Service provided by agents The normal United Kingdom guarantees apply and all services schemes are available.

**JERSEY:** 19 Don Street, St Helier. Tel: (0534) 21625.  
Clos D'Ormes, Pontac, St Clements. Tel: (0534) 54808.

**GUERNSEY & SARK:** Valpys Stores, Grande Rue, St Martin, Guernsey. Tel: (0481) 39422.  
Lowlands, Braye Road, Vale, Guernsey. Tel: (0481) 48264.

**ALDERNEY:** 32 High Street, Alderney. Tel: (0481) 822686.

## NORTH EAST

- **NEWCASTLE:** 31 Mosley Street, NE1 1YF. Tel: Newcastle 091-2321008
- **HULL:** Custom House Building, Whitefriargate, HU1 2EU. Tel: Hull (0482) 224777.
- **WETHERBY:** Sandbeck Lane, LS22 4TW. Tel: Service Office Wetherby (037) 581281/581444 Spares Centre Wetherby (037) 581221.

## NORTH WEST

- **KENDAL:** 28 Highgate, LA9 4SX. Tel: Kendal (0659) 724483.
- **PRESTON:** 24/25 Cannon Street, PR1 3MR. Tel: Preston (0772) 824311.
- **MERSEYSIDE:** 40 Cowley Hill Lane, WA10 2AD. Tel: St Helens (0744) 35152.
- **MANCHESTER:** 44/46 Station Road, Heaton Mersey, Stockport, SK4 3OT. Tel: Service Office 061-442 8677 (South) 061-432 0513 (North) Spares Centre 061-432 0255.

## SCOTLAND

- **ABERDEEN:** Holbeck House, 68 Carden Place, Aberdeen, AB1 1UL. Tel: Aberdeen (0224) 642283.
- **EDINBURGH:** 35 West Bowling Green Street, Leith, EH6 5NX. Tel: 031-554 1431.
- **RENFREW:** West Lodge Road, Blythswood Estate, PA4 9EN. Tel: Service Office 041-885 6241 Spares Centre 041-885 5611.

# USER HANDBOOK FROST FREE COMBINATION FRIDGES FREEZER MODELS 8591 and 8570

- Service Office and Spares Centre
- Service Office only

## SOUTH MIDLANDS

- **DIDCOT:** 224 Broadway, OX11 8RS. Tel: Didcot (0235) 817711. Spares and accessories may be ordered from either Totton or Wembley Centres.

## SOUTH WEST

- **PLYMOUTH:** 69 Muddy Plain, PL4 6JH. Tel: Plymouth (0752) 262631.
- **SOUTHAMPTON:** South Hampshire Industrial Park, Salisbury Road, Totton, SO4 3SA. Tel: Service Office Totton (0703) 861981/667374 Spares Centre Totton (0703) 867933.

## WALES

- **NORTH WALES:** Conwy Road, LL31 9RZ. Tel: Degegnwy (0492) 562626.
- **SOUTH WALES:** 18 Western Avenue, Bridgend Industrial Estate CF31 3SL. Tel: (0656) 664121 for postal codes CF, SA, SY23-25 (0656) 655554 for BS, GL (not 55), HR, SY15-18, LD1-8, NP Spares Centre South Wales (0656) 766111.

## WEST MIDLANDS

- **STOKE ON TRENT:** West Avenue, Nelson Estate, Talke, Stoke on Trent, ST7 1TN. Tel: Stoke (0782) 774511.
- **BIRMINGHAM:** 35 West Bowling Green Street, Leith, EH6 5NX. Tel: 031-554 1431.
- **RENFREW:** West Lodge Road, Blythswood Estate, PA4 9EN. Tel: Service Office 041-885 6241 Spares Centre 041-885 5611.

## IRELAND

- Northern Ireland: 256 Ormeau Road, Belr B17 2FZ. Tel: Belfast (0232) 647111.
- **Eire:** 49 Airways Ind Estate, Dublin 17. Service Office Dublin 426088 Spares Centre Dublin 426836. Spares and accessories may be ordered from either address.

Spares and accessories may be ordered from Hotpoint Spares Administration Dept., Celta Road, Peterborough, PE2 9JB.

In accordance with its policy of progressive product design, the Company reserves the right to alter specifications.

Hotpoint Ltd, Peterborough, PE2 9JB, England

225/2634/69

# Hotpoint®

## Your new Hotpoint Combination Fridge Freezer

Using your new fridge freezer is very simple. Nevertheless, for your own safety and to get the best results it is important that you read right through this handbook **before** using your fridge freezer for the first time. Also do not load the freezer compartment immediately the fridge freezer is switched on, but wait until the correct storage temperature has been reached (see page 9).

### Electrical Requirements

We recommend that this appliance is connected to the mains supply via a suitable switched socket in a readily accessible position.

All Hotpoint appliances come complete with a fitted plug. The plug on your fridge freezer has a 13A fuse. If the plug does not fit your sockets, a new plug can be fitted. Cut off the old plug and throw it away, do not insert it into a socket elsewhere in the house as this could cause a shock hazard.

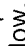
### WARNING: THIS APPLIANCE MUST BE EARTHED.

#### IMPORTANT: Fitting a Different Plug:

The wires in the mains lead are coloured in accordance with the following code:

- Green and Yellow – Earth
- Blue – Neutral
- Brown – Live

If you fit your own plug the colours of these wires may not correspond with the identifying marks on the plug terminals. This is what you have to do:

1. Connect the green and yellow (Earth) wire to the terminal in the plug marked 'E' or with the symbol , or coloured green or green and yellow.
  2. Connect the blue (Neutral) wire to the terminal in the plug marked 'N' or coloured black.
  3. Connect the brown (Live) wire to the terminal marked 'L' or coloured red.
- With alternative plugs a 15A fuse must be fitted either in the plug or adaptor or in the main fuse box. In the event of replacing a fuse in the plug supplied, a 13A ASTA approved fuse to BS1362 must be fitted.
- If the plug is the moulded on type the fuse cover must be refitted when changing the fuse. In the event of losing the fuse cover the plug must **not** be used until a replacement fuse cover has been obtained and fitted. A new fuse cover can be obtained from your nearest Hotpoint Spares Centre or local Electricity Board. The colour of the correct replacement fuse cover is that of the coloured marks or insert in the base of the plug.

### Mains Lead Replacement

If the mains lead on this appliance needs replacing at any time, it must be replaced by a special lead which is obtainable from your nearest Hotpoint Service Office (see back page). A charge will be made for the replacement of the mains lead if you have damaged the lead or require a longer lead.

### WARNING:

**HOW TO AVOID ACCIDENTS TO CHILDREN. WHEN DISCARDING AN OLD FRIDGE OR FREEZER BE CERTAIN TO MAKE THE LOCK UNUSABLE. IF POSSIBLE, REMOVE THE DOORS AND DISCARD SEPARATELY. DO NOT ATTEMPT TO STAND ON TOP OF YOUR APPLIANCE. IT IS NOT DESIGNED FOR SUCH USE AND YOU COULD INJURE YOURSELF OR DAMAGE THE APPLIANCE BY SUCH ABUSE. DO NOT ALLOW CHILDREN TO PLAY WITH THE APPLIANCE OR TAMPER WITH THE CONTROLS.**

## Hotpoint Service Cover

### Satisfaction Guaranteed or Your Money Back

Hotpoint gives you a unique 'Satisfaction Guaranteed' promise – valid for ninety days after you have purchased your Hotpoint product. If there is a problem with your Hotpoint appliance just call your Hotpoint Service Office. If necessary we will arrange for an engineer to call. If the problem is not resolved by us under this Guarantee, Hotpoint will replace your appliance or, if you prefer, give you your money back. This Guarantee is additional and subject to the terms of Hotpoint's Five Year Parts Guarantee.

### Hotpoint's Free Five Year Guarantee

From the moment your appliance is delivered, Hotpoint guarantees it for **FIVE YEARS**.

- In the Five Years all replacement parts are **FREE** provided they are fitted by our own Service Engineer. During the first year our Engineer's time and labour is also free. Our Guarantee also covers loss of food in our Refrigeration and Freezer products up to £250 during the first year.
- After the first year we will charge for our Engineer's time and labour. We do, however, operate a range of Service Plans (see opposite) which for an annual payment enables you to cover any repair costs which may be necessary.
- All our service repairs are guaranteed for twelve months in respect of our labour and any parts fitted.
- The appliance must be used in the United Kingdom and must not be tampered with or taken apart by anyone other than our own Service Engineer.
- You may, however, buy parts which can be safely fitted without specialist knowledge or equipment. The correct fitting of such parts, provided they are genuine Hotpoint spares, will not affect your Guarantee. Parts are available from our main Hotpoint Spares Centres (see back page).
- Our Guarantee does not cover the cost of any repair which is needed because of power cuts, accidents or misuse. Nor does it cover the cost of any visit to advise you on the use of the appliance. Please read the instruction book thoroughly.
- If at any time during the Guarantee period we are unable to repair your appliance, we will refund any repair costs paid to us in the previous twelve months. We will also offer you a new appliance at a reduced charge instead of a repair.
- Our Guarantee is in addition to and does not affect your legal rights.
- Should you need independent advice on your consumer rights, help is available from your Consumer Advice Centre, Law Centre, Trading Standards Department and Citizens Advice Bureau.

- All Hotpoint servicing is done by our own Service Organisation located throughout the United Kingdom and Southern Ireland. It will be happy to deal with any problems.

### Hotpoint's Service Care

Whether you have just one or a number of Hotpoint appliances in your kitchen Hotpoint has a range of Service Schemes to give you complete peace of mind.

### Service Cover

A single payment covers you for all repairs during the period of cover, which can be from 1 to 4 years. There is also an option of Service Cover with Maintenance at an additional cost. This includes an annual Electrical and Safety check and replacement of any parts as necessary. For 1 year contracts this takes place towards the end of the contract period.

### Kitchen Cover

An annual payment covers you for all repairs for all your Hotpoint appliances, which are less than ten years old. It also covers the cost of loss of food up to £250 in our refrigeration and freezer products. There is also an option of Kitchen Cover with Maintenance at an additional cost. Any additional Hotpoint appliances purchased after you have joined Hotpoint Kitchen Cover will automatically be included during the annual period of cover without further charge.

### Appliance Registration

To ensure that you have the opportunity to benefit from any of the above Service Schemes you should complete and return immediately the Appliance Registration Form supplied with your Appliance. Full details and costs of our Service Schemes together with an application form will be sent to you at the end of the first year of the guarantee.

### Annual Safety/Maintenance Checks

Hotpoint strongly recommends that all its appliances are regularly checked for electrical and mechanical safety whether or not they are covered by a Service Plan.

### Proof of Purchase

For future reference please attach your purchase receipt to this booklet and keep it in a safe place.

### Spares and Accessories

Spares and accessories can be ordered from your local Hotpoint Spares Centre (listed on the back page), using the order form enclosed.

**NOTE:** Our Engineer will use every effort to avoid damage to floor coverings and adjacent units when carrying out repairs/service work but in locations where the Engineer advises you that it will be impossible to move the appliance without risk of damage, he will only proceed with your approval that no liability is accepted.

## If your Fridge Freezer won't work

- ... don't panic  
Just run through these quick checks before calling your nearest Hotpoint Service Office.
1. Check that the plug is firmly in the wall socket and that the power supply is on.
  2. Check the power supply to the socket by plugging in another appliance.
  3. If the other appliance works, check the fuse in the fridge freezer's plug.
  4. If you have changed the plug, check the wiring (see page 2).
  5. If there is excessive noise or vibration, check that all four feet are firmly in contact with the ground (see page 5).
  6. If the interior light fails to work, refer to page 17 for further instructions.
  7. If water appears down the inside back of the fridge compartment, check that the gutter drain hole has not become blocked and that there is nothing touching the cooling plate. (NB Water droplets on the cooling plate are quite normal.)
  8. If water droplets appear on the outside of the cabinet, check that you have the Economy switch set on 'H' (see page 10).
  9. You may find the freezer compartment door difficult to open just after you have used it. This is due to a pressure difference which will soon equalise. Wait a few minutes then open the door.
- If, after following all these instructions, you are still having problems, contact your nearest Hotpoint Service Office (or local importer if outside the United Kingdom). The telephone number is shown on the back page.

## Contents

### THIS BOOK COVERS MODELS 8591 AND 8570

<b>Get to know your Fridge Freezer</b>	<b>Page</b>
	<b>4</b>
<b>Installing your Fridge Freezer</b>	<b>5</b>
Where to put your fridge freezer	<b>5</b>
Fitting decor panels to match your kitchen units	<b>5</b>
Repositioning the door hinges	<b>5-8</b>
<b>Getting your Fridge Freezer ready for use</b>	<b>9</b>
Starting and Running In	<b>9</b>
<b>The Controls</b>	<b>9-10</b>
Controlling the temperature	<b>10</b>
The lights – what they mean	<b>10</b>
Fast Freeze switch	<b>10</b>
Economy switch	<b>10</b>
<b>Storing Food</b>	<b>11-12</b>
Storing food in the fridge compartment	<b>11</b>
Storing already frozen food in the freezer compartment	<b>12</b>
Freezing fresh foods – maximum freezing load and how to freeze them	<b>12</b>
Do's and Don'ts	<b>13-14</b>
<b>Caring for your Fridge Freezer</b>	<b>15-17</b>
Cleaning	<b>16</b>
Going Away	<b>16</b>
Replacing the interior light	<b>16</b>
<b>If your Fridge Freezer won't work</b>	<b>18</b>
Hotpoint Service Cover	<b>19</b>
<b>Hotpoint Service Offices and Spares Centres</b>	<b>Back Page</b>

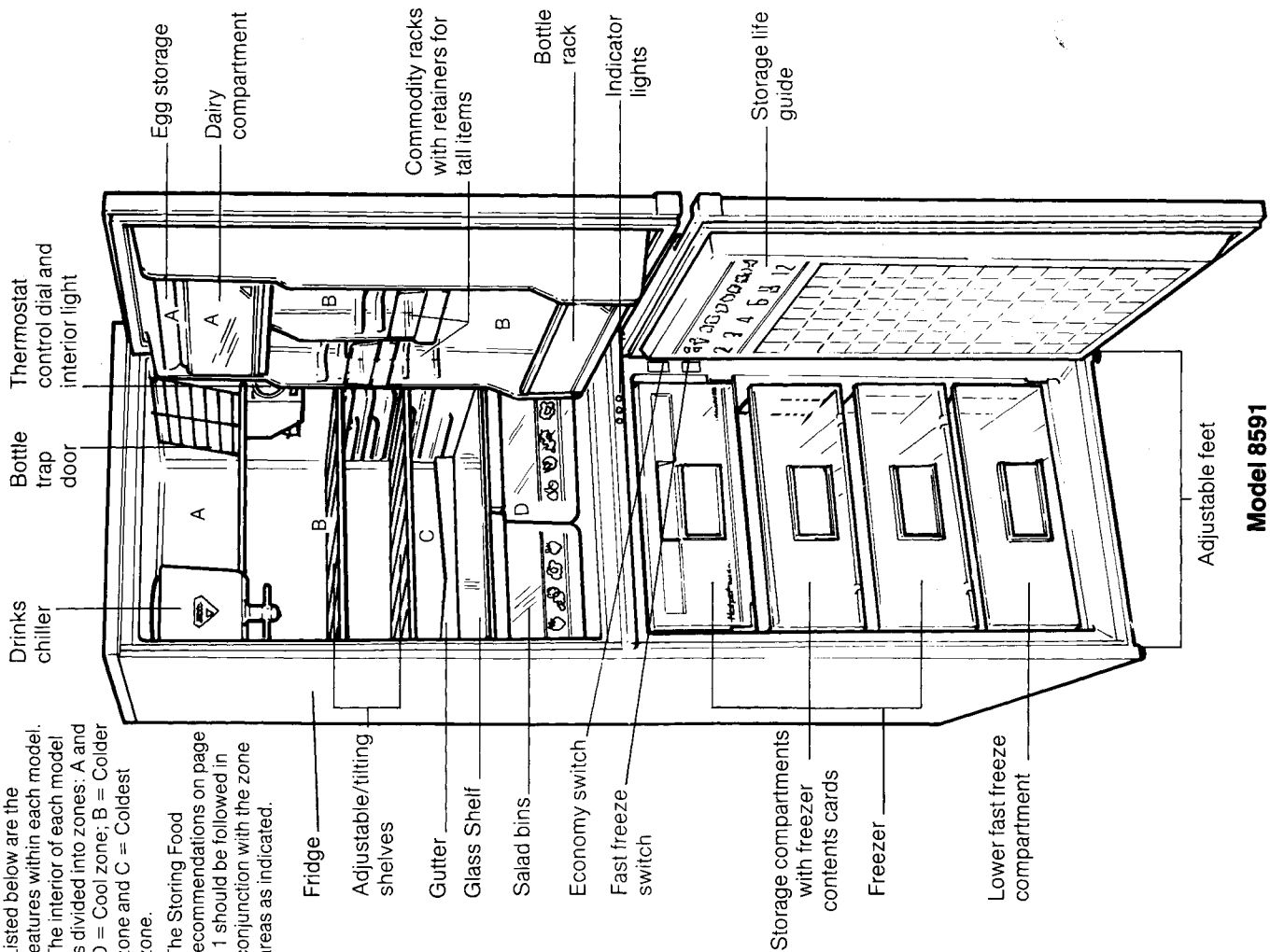
## Retention of the Instruction Book

This Instruction Book must be kept handy for reference as it contains important details on the safe and proper use of the appliance. If you sell or pass the appliance to someone else, or move house and leave it behind, make sure this Book is also provided so the new owner can become familiar with the appliance and safety warnings. If the Book is lost or damaged a copy may be obtained from Hotpoint Ltd, Celta Road, Peterborough, PE2 9JB.

## Get to know your Fridge Freezer

Listed below are the features within each model. The interior of each model is divided into zones: A and D = Cool zone; B = Colder zone and C = Coldest zone.

The Storing Food recommendations on page 11 should be followed in conjunction with the zone areas as indicated.



**Model 8591**  
(Model 8570 is similar)

## Caring for your Fridge Freezer (cont.)

worry, it will not affect the working of your fridge freezer. Obtain a replacement SES 15 Watt bulb from a local electrical retailer or your nearest Hotpoint Spares Centre and then fit it as follows:

1. **Switch off and pull out the mains plug.**
2. Remove the wire shelves to make access easier.
3. Slacken off the lamp guard, by one turn.
4. Unclip and remove the lamp guard.
5. Unscrew the old bulb and fit the new one.
6. Refit the lamp guard, ensuring that the two legs opposite the retaining screw fit into the holes.
7. Retighten the retaining screw.
8. Replace the plug and switch on.

## Spare Parts

Please remember your new appliance is a complex piece of equipment. 'DIY' repairs or unqualified and untrained service people may put you in danger, could damage the appliance and might mean you lose cover under Hotpoint's Parts Guarantee.

If you do experience a problem with the appliance don't take risks; call in Hotpoint's own Service Engineer. The address and telephone number of our nearest Hotpoint Service Office is in your local telephone directory.

Our spare parts are designed exclusively to fit only Hotpoint appliances. Do not use them for any other purpose as you may create a safety hazard.

## Caring for your Fridge Freezer (cont.)

- Replace the mains plug and switch on. Press '★' (on) on the Fast Freeze switch. Unwrap the frozen food and replace. Close the door.
- After three hours press 'O' (off) on the Fast Freeze switch. The amber light will go out.

### Cleaning your fridge

Always **switch off and pull out the mains plug** first. Wipe out the inside of the fridge using a clean cloth wrung out in either a solution of one teaspoonful of bicarbonate of soda to one pint of water or Milton diluted according to the manufacturer's instructions. The complete interior including the door, and removable parts, should be washed. The commodity and bottle racks and ice cube tray may be washed in a dishwasher, but only if positioned in the top rack and on a low temperature programme. **Never** use any household cleaner or detergent, abrasive powders or wax polish. These not only damage the surfaces, but also leave a smell in the fridge. Make sure that no particles of food are left in the gutter in the fridge compartment. Before you refill the fridge ensure it is thoroughly dry.

### Cleaning the exterior of the fridge freezer

Clean the outside of the fridge freezer, **but not the door seal**, with a damp cloth, using a small amount of detergent, followed by a wipe down with a clean cloth. **Do not** use an abrasive powder. **The rubber door seal must be cleaned with soap and water only as detergent will damage it.**

Finally, the compressors and condenser at the back of the fridge freezer can be carefully cleaned. Use a brush or vacuum

cleaner to remove any dust. **Always** check that the fridge freezer is disconnected from the mains when doing this. Remember to replace the mains plug and switch on after cleaning your fridge freezer.

### Cleaning the Drink Chiller

Both the drink chiller and tap must be cleaned regularly and should not be left empty without cleaning beforehand.

To do this, put one campden tablet or one tablespoonful of bicarbonate of soda into the chiller and top up with hot water and allow to dissolve. Alternatively use Milton diluted according to the manufacturer's instructions. Operate the tap a few times to allow any sugar or syrup deposits to dissolve before emptying.

### Going away

If you expect to be away for any length of time and don't want to use the fridge compartment, turn the thermostat control inside the compartment to 'O' (off). Remove all food and wipe out the interior. Always leave the door ajar to prevent the accumulation of odours.

If you don't want to use the freezer compartment either, switch off at the power point and pull out the plug. Remove all food. Wipe the interior with a clean dry cloth. **Always** leave both doors ajar to prevent the accumulation of odours.

### How to replace the interior light

Should the light fail to work, **switch off and pull out the mains plug**, then ensure the bulb is screwed securely into the bulb holder. Replace the plug and switch on. If the light still fails to work, do not

## Installing your Fridge Freezer

of the fridge freezer and the underside of the cupboards. Finally, make sure your fridge freezer is standing correctly by carefully adjusting the two front feet by turning them clockwise or anti-clockwise, until all four feet are in firm contact with the floor. Correct adjustment avoids excessive vibration and noise.



### Fitting decor panels to match your kitchen units

For that fully co-ordinated kitchen look it is possible to fit matching decor panels to your fridge freezer. Special trim kits are available from Hotpoint that attach to the edges of the appliance doors and enable decor panels, up to 4 mm (1/8 in) thick, to be fitted. Decor panels are available from most kitchen suppliers. Each door requires a separate trim kit:

Top door requires trim kit Part No. 8001 (Brown) or Part No. 8004 (White)  
Bottom door requires trim kit Part No. 8001 (Brown) or Part No. 8004 (White)

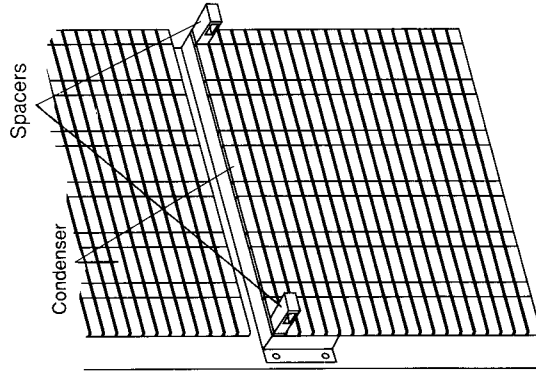
These are available from your retailer or nearest Hotpoint Spares Centre (see back page) using the Accessories Order Form supplied with your Fridge Freezer.

### Repositioning the door hinges

Just follow the step by step instructions below:

**Tools required:** A 7 mm/8 mm A/F Spanner or a No. 2 Pozidriv.

**Where to put your fridge freezer**  
Your fridge freezer should be placed where it is easy to use, alongside a work surface is often a good position. Avoid putting it near anything which gives off heat, a cooker or radiator for example or in a position where direct sunlight is liable to shine directly onto the appliance. In such a position your fridge freezer will have to work harder and will cost more to run and may be damaged by the heat.



**Once you have decided on the most suitable place, fit the two wall spacers supplied to the top of the condenser as shown and push the freezer back until the spacers are automatically against the wall. This automatically ensures adequate air circulation at the back of the fridge freezer.**

If your fridge freezer is placed underneath any wall cupboards, make sure that there is a gap of at least 100 mm (4 in) between the top

# Caring for your Fridge Freezer

## Defrosting

### The fridge compartment

The fridge compartment will **automatically** defrost itself and the defrost water will drain out through the hole in the gutter and into a special container where it evaporates. Water droplets will form on the cooling plate during the defrost periods and will freeze on the plate afterwards. If your freezer becomes exceptionally warm, cooling plate may not defrost regularly. Do not worry. Periodic defrosting will begin again when conditions return to normal.

**Do** make sure that the gutter is always kept clear and that stored food does not come into contact with the cooling plate.

### The freezer compartment

The freezer is designed to be frost free – defrosting is carried out automatically.

The appliance interior is cooled by air flow through the vent situated at the top rear of the freezer.

The frost is absorbed and excess moisture is collected into a small container from where it evaporates. It is recommended that your fridge freezer is cleaned periodically, how often depends on usage.

## Cleaning your freezer

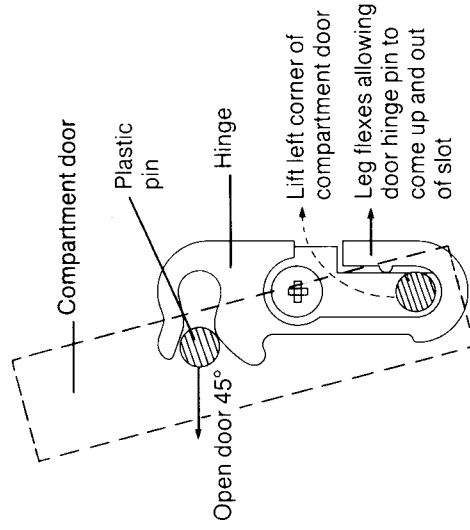
Just follow these steps:

### 1. Switch off and pull out the mains plug.

Remove any frozen food. Wrap it in several layers of newspaper or a blanket, remove the empty baskets and use them to store the wrapped food – put them in a cool place.

Remove the compartment doors. This is done by opening the compartment door 45 degrees and

gently lifting and pushing the left hand corner so that the pin comes up and out of the special hinge. The door can then be removed from the right hand hinge by pulling the door to the left. To replace door after cleaning: ensure the upper door pins are positioned in front of the hinges. Fit the right hand, bottom door pin into the bottom slot in the right hand hinge. Then pull the left hand bottom pin through the back slot in the left hand hinge. Press down on the left top corner of the door so that the pin goes fully home in the hinge.



4. Wipe out the inside with a clean cloth wrung out in either a solution of 1 teaspoonful of bicarbonate of soda to one pint of water or Milton diluted to the manufacturer's instructions. The complete interior including the door and all removable parts, should be washed.

5. Dry the interior thoroughly with a clean cloth before replacing the basket, shelf and contents.

the hinge.

11. Before re-fitting the doors, the plugs (Q) and hinge bushes (R) at the top and bottom of the doors must be swapped over. Prise them out of their locations taking care not to mark the adjacent surfaces. Reposition them on the opposite side of each door.

12. Reposition the door handle inserts (S) on the opposite side of each door. To do this, remove the screws (T) and swap over the inserts. Refit the screws.

13. Remove the plug (U) from the transom between the two compartments by pushing it from underneath, and reposition it in the hole at the opposite side.

14. Refit the top door by laying it on the cabinet and, sliding it upwards, locate the top hinge bush on the top hinge pin. Adjust the position of the top hinge, if necessary, so that the door fits evenly.

15. With the packing washers (K) if fitted retained, fit the upper pin of the centre hinge (H) through the hole in the transom into the hinge bush (R) at the bottom of the top door (note the centre hinge fits on top of the supporting bracket). Adjust as necessary so the door fits evenly.

16. Refit the bottom door by laying it on the cabinet and, sliding it upwards, locate the top hinge bush on the centre hinge pin.

17. With all the packing washers (E) that may have been originally fitted retained on the pin, fit the bottom hinge pin (C) into the bottom hinge bush (R). Adjust as necessary so the door fits evenly.

18. The bottom hinge can now be secured to the cabinet using the clamping plate (B) and two screws

1. Take out all the loose fittings such as shelves, drinks chiller and salad crisper from the inside of your fridge freezer.

2. **Carefully** lay the fridge freezer on its back (you may need assistance for this). **Take care to avoid damage to the pipework by keeping it clear of the floor or by laying it on some form of protective material (eg. its original packaging).**

3. Unscrew and remove the two front feet (A).

4. Remove the clamping plate (B) and bottom hinge (C) by unscrewing the two screws (D). Make sure that if any packing washers (E) are fitted they are left on the hinge pin.

5. Remove the bottom screws (F), washers and plate (G) and fit them on the opposite side of the cabinet, making sure the hole in the cabinet for the foot is not covered over.

6. Remove the bottom door, gently pulling it downwards until clear of the centre hinge.

7. Remove the centre hinge (H) from its supporting bracket by removing the two hexagon headed screws (J). Make sure that the packing washers (K) if fitted are left on the upper pin of the hinge.

8. Remove the top door, gently pulling it downwards until clear of the top hinge.

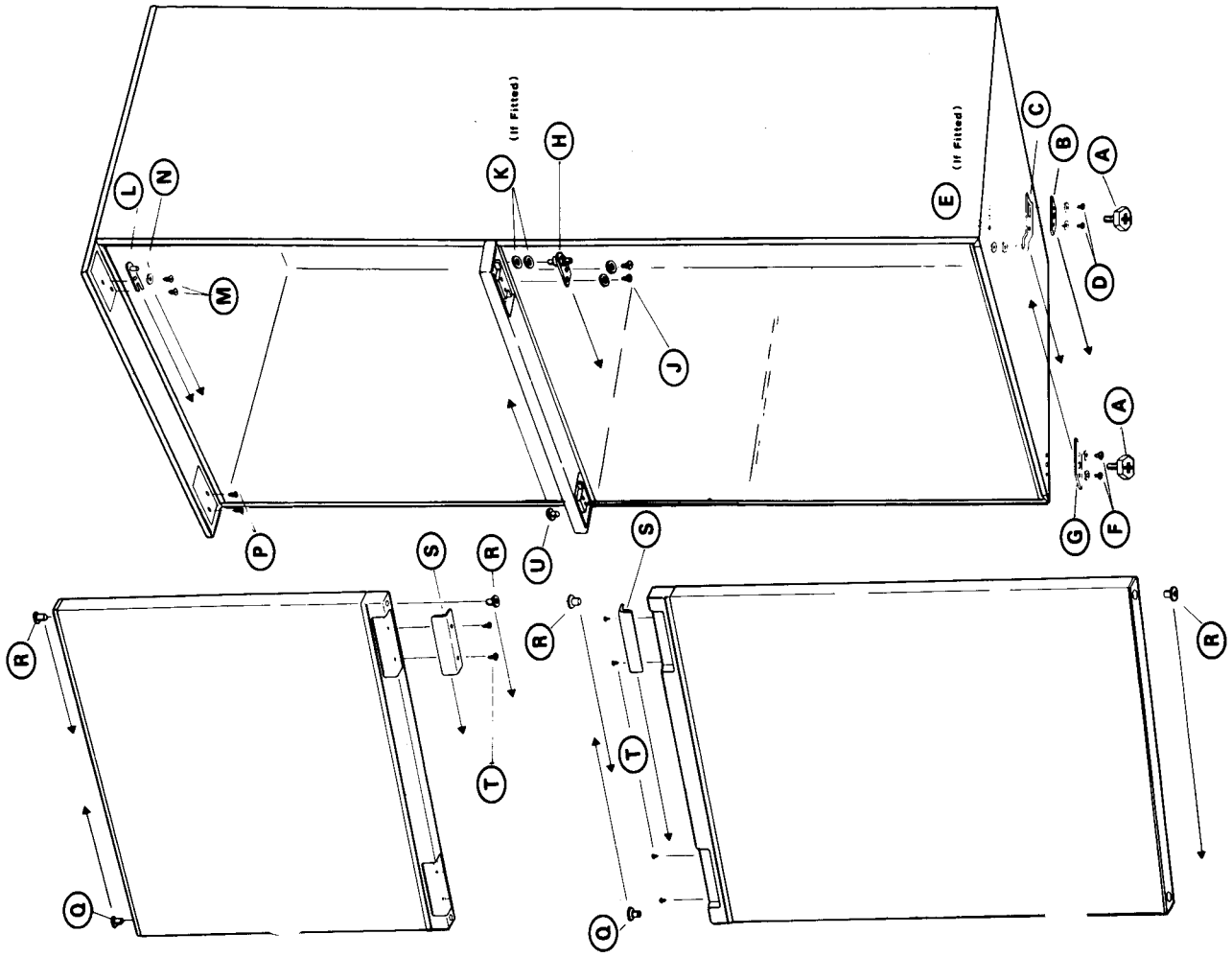
9. Remove the top hinge (L) by unscrewing the two screws (M) – replace the screws (M) but not the washer (N). Make sure the screw heads do not protrude below the recess.

10. Remove the two screws (P) in the opposite recess and use them to fit the top hinge (L) with the washer (N) on top, in the recess. Tighten the screws so that they are just gripping

## Do's and Don'ts (cont.)

### Freezer compartment

- Do:--** Always choose high quality fresh food and be sure it is thoroughly clean before you freeze it.
- Do:--** Prepare fresh food for freezing in small portions to ensure rapid freezing.
- Do:--** Remember lean foods last longer than fat foods.
- Do:--** Wrap all foods in aluminium foil or polythene bags and make sure any air is excluded. Keep the door shut when freezing fresh food.
- Do:--** Separate food in different baskets for easy identification.
- Do:--** Wrap frozen food when you buy it and put it into the freezer compartment as soon as possible.
- Do:--** Empty and refill the ice tray periodically to ensure freshness. Replace ice tray cover after use.
- Do:--** Store commercially frozen food in accordance with the instructions given on the packets that you buy.
- Do:--** Always defrost frozen foods before cooking unless instructions on the packet state otherwise.
- Do:--** Ensure that fresh food which is frozen, is well labelled and dated.
- Do:--** Ice cream should be removed from the freezer 15-30 minutes before serving.
- Don't:--** Exceed the maximum freezing loads when freezing fresh food (see page 12).
- Don't:--** Put hot food into the freezer or even in the fridge compartment. Let it cool down first.
- Don't:--** Leave the door open for long periods as this will make the freezer compartment more costly to run.
- Don't:--** Put liquid-filled bottles or sealed cans containing carbonated liquids (fizzy drinks, etc) into the freezer compartment as they may burst.
- Don't:--** Try to keep frozen food which has thawed; it should be eaten within 24 hours or cooked and refrozen.
- Don't:--** Give children lollipops and water ices direct from the freezer compartment. The low temperature may cause 'freezer burns' on their lips.
- Don't:--** Store poisonous or dangerous substances in the freezer. Your freezer has been designed for the storage of edible foodstuffs only.



(D). The clamping plate should be fitted with the long straight side facing the outside edge of the cabinet and the large hole towards the rear of the cabinet.

19. Replace both adjustable front feet (A) setting them approximately 35 mm (1 3/8") from the bottom of the cabinet.

20. Carefully stand the fridge freezer up (you may need assistance for this) and put it where you have decided to locate it. Ensure it is standing correctly by adjusting the front feet until all four feet are in firm contact with the floor.

21. Check the doors open and close easily. **Ensure the door seals do not bind on the hinge side and that there are no gaps allowing air into the cabinet.** Adjust the hinges if necessary.

22. Tighten the hinge screws.

23. Finally put back all the loose fittings inside the fridge freezer.

**Commodity rack adjustment, see Fig 1**

The commodity racks have been designed to be adjustable which

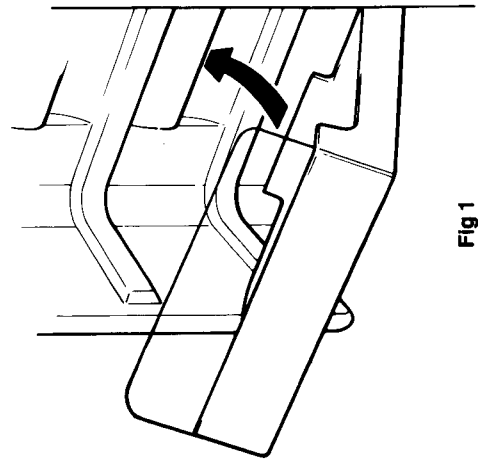


Fig 1

enables you to make maximum use of the storage capacity of the inner door. To remove the commodity rack simply lift the front of the rack to release it from the fixing groove in the door liner. To replace the rack tilt the back of the rack and push it into the preferred fixing position (see diagram below). Ensure that the rack is securely fixed before loading by applying light downward pressure to the front of the rack.

**Adjustable/Tilting shelves, see Fig 2**

The shelving system in the fridge interior has also been designed to provide maximum storage flexibility. It is possible to position the shelves at various heights to suit the items being stored and it is also possible to tilt certain shelves thereby allowing safe storage of bottles and jars on their sides. To tilt a shelf place the shelf hanger (A) at the back of the shelf on the same level as the main body of the shelf (B) (see diagram below).

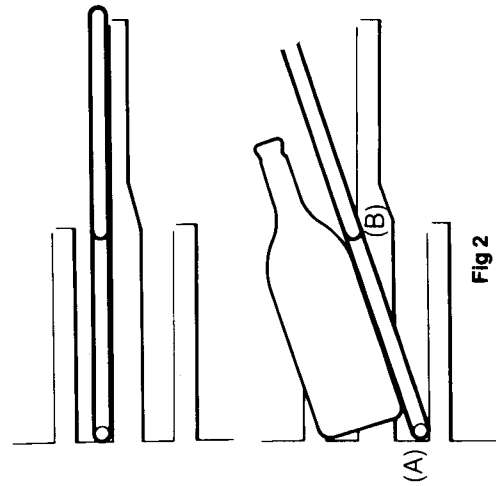


Fig 2

## Do's and Don'ts

### Fridge compartment

**Do:-** Take off any unusable leaves on vegetables and wipe off any soil.

**Do:-** Leave lettuce, cabbage, parsley and cauliflower on the stem.

**Do:-** Wrap cheese tightly in greaseproof paper and a polythene bag excluding as much air as possible. For best results take out of the fridge compartment an hour before eating.

**Do:-** Wrap raw meat and poultry loosely in polythene or aluminium foil. This prevents drying.

**Do:-** Wrap fish and offal in polythene bags

**Do:-** Wrap foods which have a strong odour or can dry out in polythene bags, aluminium foil or place in airtight containers.

**Do:-** Wrap bread well to keep it fresh.

**Do:-** Chill white wines, beer, lager and mineral water before serving.

**Do:-** Clean the Drink Chiller regularly to avoid the build-up of sugar which can block the tap.

**Do:-** Make sure the gutter at the back of the fridge compartment is always clear. Remove any particles of food which may collect there.

**Do:-** Clean your salad drawers regularly.

**Do:-** Keep raw meat and poultry below cooked foods and dairy products.

**Do:-** Keep food for as short a time as possible and adhere to 'best by' dates.

**Do:-** Ensure that cooked meat and raw meat are packaged separately.

**Do:-** Store food items in the positions recommended by the manufacturers.

**Do:-** Ensure that cooked foods are allowed to cool before storing in the refrigerator.

**Do:-** Keep raw meat and poultry below cooked foods and dairy products.

**Don't:-** Store bananas in the fridge compartment.

**Don't:-** Store melon in the fridge compartment. It can be chilled for short periods as long as it is wrapped to avoid it flavouring other food.

**Don't:-** Wash eggs as this removes their natural protective film. Wipe them instead.

**Don't:-** Use eggs straight from the fridge compartment, especially when making cakes or mayonnaise. Allow them to reach room temperature before use.

**Don't:-** Leave the door open for long periods as this will make the fridge compartment more costly to run.

**Don't:-** Cover the shelves with any protective materials which may obstruct air circulation through them.

**Don't:-** Let anything touch the cooling plate at the back of the fridge compartment.

**Don't:-** Store poisonous or dangerous substances in the fridge. Your fridge has been designed for the storage of edible foodstuffs only.

**Don't:-** Consume food which has been stored for an excessive time in the fridge.

**Don't:-** Let defrosting food or food juices drip onto food in your fridge.



## Storing Food (cont.)

### The Drink Chiller

The Drink Chiller, on the left-hand side of one of the shelves, holds 5 litres (1.1 gallons).

To remove the Chiller for filling slide it forward off the shelf. Slide the chiller fully back onto the shelf when it is filled.

To pour a drink, push a glass up against the arms of the dispensing tap. To close the tap release the pressure on the arms.

### Storing food in your freezer compartment

Your freezer compartment carries the **\*\*\*** symbol which indicates that it is suitable for the long-term storage of commercially-frozen foods and can also be used to freeze and store fresh food.

The freezer compartment will store up to 26kg (58lb) of frozen food. This figure is based on an average density of 0.32 kg of mixed food per litre of net storage volume (20 lb per cubic foot). In the case of meat it will take appreciably more.

Generally speaking long-term storage means up to 3 months, but this will vary with the nature of the packaged food, so always follow the manufacturer's recommended storage time given on the packet. For storing home frozen fresh food refer to the pictorial guide on the door liner.

### If there is a power failure do not open the freezer compartment door.

Frozen food should not be affected if the failure lasts for less than 1 1/2 hours. If the failure is longer then the food should be checked and either eaten immediately or cooked and then refrozen.

Do not line the shelf or baskets with paper, plastic or foil.

The vent at the top rear of the top

compartment must not be covered inadvertently when loading the compartment.

**Do not** pack items tightly together.

Whenever possible leave space between items.

### Freezing fresh foods

#### Maximum freezing loads

You can freeze up to 7 kg (15.5 lb) of fresh or cooked food in any 24 hours.

#### Freezing up to 7 kg (15.5 lb)

1. Transfer any frozen food from the lower Fast Freeze basket to the upper storage baskets and top storage compartment.

2. Press **'\***

 (on position) on the Fast Freeze switch. The amber Fast Freeze light will come on.

3. Press **'H'** on the Economy switch to avoid condensation on the outside of the freezer.

4. Allow 24 hours before placing the maximum 7 kg (15.5 lb) of fresh food in the lower Fast Freeze basket. Allow proportionally less time for smaller quantities.

5. Leave the switches on for 24 hours then reset the Fast Freeze switch to **'O'** and the Economy Switch to **'E'**.

### Freezer contents cards

Use a soft pencil to itemise both the contents of the freezer compartment and the 'use by' dates. Use a soft rubber to remove the writing.

## Getting your Fridge Freezer ready for use

door and check that the Fast Freeze switch is at **'O'** (off). The red light will go out when the freezer has reached the correct temperature. Then you can put in your frozen food.

If you are going to freeze fresh food, you must press **'\***

 (on) on the Fast Freeze switch. The amber light will come on and you must **wait at least 24 hours** before putting in your fresh food to be frozen. Do not put more than 7 kg (15.5 lb) of fresh food to be frozen into the freezer compartment (see page 12).

### Running-in the compressors

Your fridge freezer is operated by two compressors which switch on and off in order to maintain the fridge freezer's temperature. The compressors are precision pieces of machinery and, like a car engine, require a running-in period of up to 2 months. During this time the compressors have to work a little harder and this may result in more noise than usual.

In the summer months, or in conditions giving high temperatures around the fridge freezer, the compressors have to work harder and run for longer periods. This is quite normal. Conversely, during cold weather the compressors will run for much shorter periods.

## The Controls

### Controlling the temperature inside the fridge compartment

The temperature inside your refrigerator should be 5°C or less, though some sections such as the Salad Crisper will be warmer. Frequent door openings cause higher temperatures inside.

Before using your fridge freezer for the first time the interior, including the door, and all removable parts should be wiped out. Use a damp cloth wrung out in either a solution of one teaspoonful of bicarbonate of soda to one pint of water or Milton diluted according to the manufacturer's instructions.

### WARNING: NEVER USE ANY

### HOUSEHOLD CLEANER OR

### DISINFECTANT, ABRASIVE

### POWDERS OR WAX POLISH.

### THESE NOT ONLY DAMAGE THE SURFACES, THEY ALSO LEAVE A SMELL IN THE FRIDGE FREEZER.

### Final check

Before you start using the fridge freezer, check that

1. it is thoroughly dry inside,
2. air can circulate freely,
3. the feet have been adjusted, ie. all four are firmly on the ground.

### Starting

Insert the plug into the socket outlet and switch on the electricity supply.

Open the fridge compartment door and the light will come on. There is a control dial on the right hand side of the interior. Turning the dial clockwise from **'O'** (off) will start the fridge compartment working. You will hear a noise as the compressor starts up. On the freezer the green (mains) and red (temperature warning) lights will

come on together, however it is possible there may be a delay of up to half an hour. This is normal. You will hear a noise as the compressor starts up.

The liquid and gases sealed within the refrigeration system may give rise to noise, whether the compressor is running or not. This is quite normal. If you are going to store already frozen food, open the freezer compartment

## The Controls (cont.)

If using a thermometer to check the temperature, it should be left overnight on the centre or middle shelf and read immediately the door is initially opened the following morning. If the temperature reading is more than 5°C, the controls should be adjusted (see page 10).

The control dial, on the right-hand side of the fridge compartment interior, controls the temperature inside the fridge compartment and is marked 'O' (off), 1, 2, 3 ... 9. Which setting is selected will depend on where the fridge freezer is located, how often you open the door and the room temperature.

A control setting of 5-6 is usually suitable, but if you find the interior is too warm turn the control clockwise to a colder setting (higher number). Similarly, if you find the interior is too cold, turn the control anti-clockwise to a warmer setting (lower number). A fridge/freezer thermometer Part No. 8058 is available to ensure that you maintain your appliance at the correct temperature. This can be ordered from your local Hotpoint Spares Centre (see back page) using the order form enclosed.

**WARNING: DO NOT USE A MERCURY FILLED THERMOMETER.**

### Controlling the temperature inside the freezer compartment

The freezer compartment is fitted with a factory set thermostat control which does not require any adjustment.

### Green mains light

Comes on and stays on as long as the electricity supply is not interrupted.

### Red temperature warning light

Comes on when the temperature inside the freezer compartment rises above the correct long term storage temperature. It may come on for a short period when you open the freezer door to load or unload food. It may also come on for a short time (up to 30 minutes) during the automatic defrost. Storage times will not be affected. However, if the red light stays on, this is an indication that something is wrong. First check that the door has not been accidentally left open. If this is not the case, call your nearest Hotpoint Service Office or local importer (outside the United Kingdom). If the delay is likely to be longer than 1 1/2 hours then the food should be either defrosted and eaten immediately, defrosted, cooked and then refrozen or transferred to another freezer.

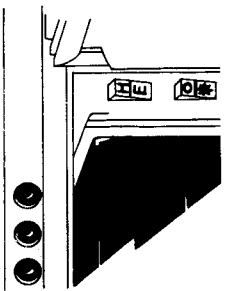
### Fast Freeze switch and amber fast freeze light

Press '★' (on position) when freezing fresh food and the amber light will come on (see freezing fresh foods, page 12).

### Economy switch

Your fridge freezer incorporates a low energy heater to reduce condensation on the cabinet sides.

Press 'E' (Economy position) for normal conditions. If the room is cold or humid or if freezing fresh food, water droplets may form on the outside of the fridge freezer. When



this happens press 'H' (Humid position). The low energy heater will operate continuously and the water droplets will disappear. When conditions return to normal reset the

## Storing Food

### Storing food in your fridge compartment

can store most fresh foods in the large compartment. Recommended maximum storage times are given in the table below as a guide.

Store meat, cooked meats, ham, sausage, milk products in the coldest

switch to 'E' and the heater will operate intermittently.

**Note: The outside front edges of the freezer compartment may feel warm. This is normal.**

area just above the salad drawer; butter, eggs, preserves, cheese, margarines, etc. in the commodity racks on the door; convenience foods, baked items on the top and centre shelves; drinks in the bottle rack; fruit, vegetables, salad items in the salad bins.

		Days
<b>Raw fresh meat</b>	joints, steaks, chops	1
	offal (liver, kidney etc)	1
	minced meat, sausages	1
<b>Cooked meat</b>	cooked meat	1
	made-up dishes and left-overs	1
<b>Poultry</b>	fresh, whole (store giblets separately)	1
	cooked	1
<b>Fish</b>	giblets	1
	raw	1
<b>Bacon</b>	cooked	2
	joints (uncooked)	2-8
<b>Milk</b>	rashers	2-10
	ham (unsmoked)	1-3
<b>Cream</b>	pasteurised and homogenized	1-3
	fresh	2
<b>Butter</b>	yogurt, sour cream	2-10
		14-28
<b>Margarine and cooking fats</b>		21-28
		7-28
<b>Cheese</b>	hard	7-14
	semi hard, blue cream, cottage	7
<b>gs</b>	shell	7-28
	hard boiled	1-3
<b>Vegetables</b>	vegetables prepared	2-14
<b>Salad</b>	vegetables prepared	2-14
		1-3

All foods should be wrapped or covered to prevent drying out and flavour transference. Plastic bags, containers with lids, foil and plastic stretch wrap are ideal. Never put hot or warm food into your fridge as this reduces efficiency.

## Free Manuals Download Website

<http://myh66.com>

<http://usermanuals.us>

<http://www.somanuals.com>

<http://www.4manuals.cc>

<http://www.manual-lib.com>

<http://www.404manual.com>

<http://www.luxmanual.com>

<http://aubethermostatmanual.com>

Golf course search by state

<http://golfingnear.com>

Email search by domain

<http://emailbydomain.com>

Auto manuals search

<http://auto.somanuals.com>

TV manuals search

<http://tv.somanuals.com>