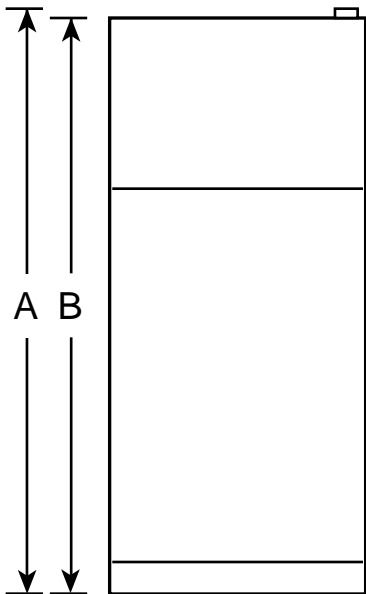


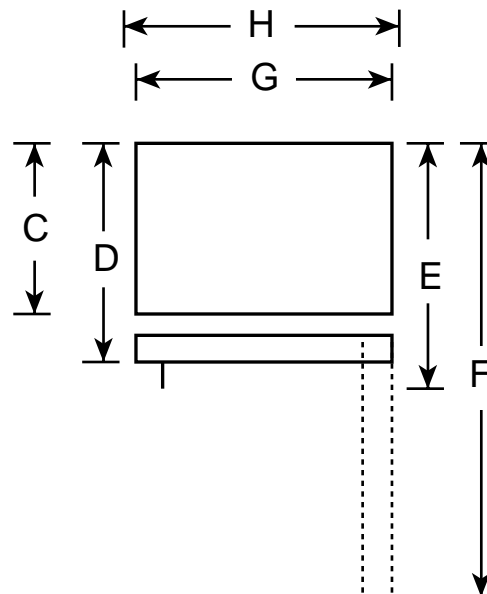
HOTPOINT

CTX18BACWW - Hotpoint 17.6 Cu. Ft. Top-Freezer Refrigerator

Front View



Top View



Overall Dimensions	Height with hinge (in.) A	67-1/4
	Height without hinge (in.) B	63-3/4
	Depth without Doors (in.) C	26-1/2
	Depth with Doors (in.) D	30
	Depth plus Handle with Doors Closed (in.) E	31-1/4
	Depth with Doors open 90° (in.) F	55-7/8
	Width with Doors Closed (in.) G	28
	Width with Doors open 90° Less Door Handles (in.) H	30-1/2
Air Clearances	Each side (in.)	3/4
	Top (in.)	1
	Back (in.)	1

Note: Before installing, consult installation instructions packed with product for current dimensional data.

Specification Revised 11/99



Total volume and shelf area are calculated by the Association of Home Appliance Manufacturers' standards.



Listed by Underwriters Laboratories

HOTPOINT

CTX18BACWW - Hotpoint 17.6 Cu. Ft. Top-Freezer Refrigerator



Features and Benefits

- 17.6 cu ft Capacity (Fresh Food 13.60 cu ft / Freezer 4.00 cu ft)
- Equipped for Optional Automatic Icemaker
- 2 Vegetable/Fruit Crispers
- Snack Pan
- 2 Full-Width Adjustable Wire Everwhite Fresh Food Cabinet Shelves
- 2 Fresh Food Gallon Door Shelves with Tall Bottle Storage
- Dairy Compartment
- Utility Bin
- 1 Adjustable, Full-Width Wire Everwhite Freezer Shelves
- 2 Freezer Door Shelves
- 2 Ice 'N Easy Trays
- Color-Matched Door Handles
- Model CTX18BACWW - White on white
- Model CTX18BACAA - Almond on almond

Free Manuals Download Website

<http://myh66.com>

<http://usermanuals.us>

<http://www.somanuals.com>

<http://www.4manuals.cc>

<http://www.manual-lib.com>

<http://www.404manual.com>

<http://www.luxmanual.com>

<http://aubethermostatmanual.com>

Golf course search by state

<http://golfingnear.com>

Email search by domain

<http://emailbydomain.com>

Auto manuals search

<http://auto.somanuals.com>

TV manuals search

<http://tv.somanuals.com>