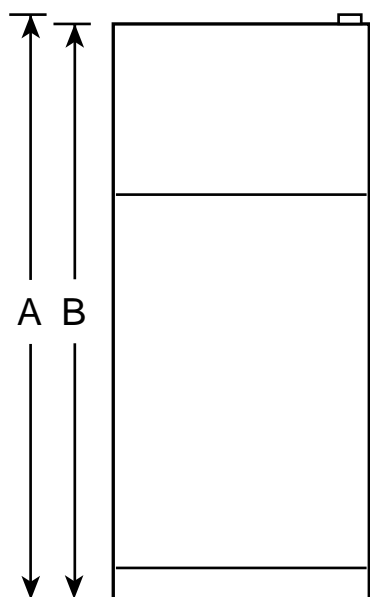


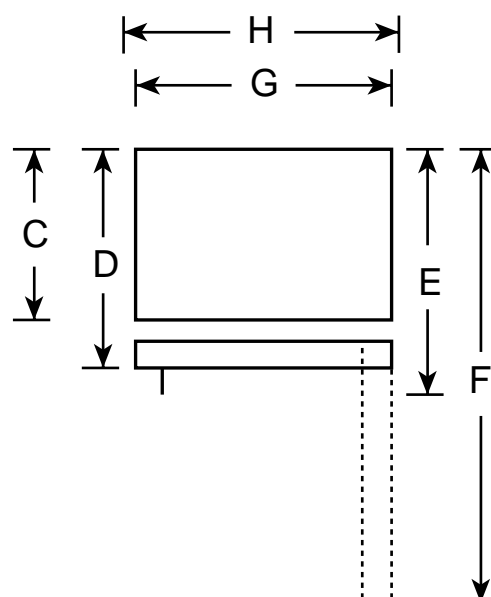
# HOTPOINT

## CTX18GICAA - Hotpoint 18.2 Cu. Ft. Capacity Top-Freezer Refrigerator with Icemaker

Front View



Top View



Overall Dimensions	Height with hinge (in.) A	64-3/4
	Height without hinge (in.) B	64
	Depth without Doors (in.) C	27-1/2
	Depth with Doors (in.) D	29-13/16
	Depth plus Handle with Doors Closed (in.) E	31-1/2
	Depth with Doors open 90° (in.) F	58
	Width with Doors Closed (in.) G	29-3/8
	Width with Doors open 90° Less Door Handles (in.) H	29-3/8
Air Clearances	Each side (in.)	3/4
	Top (in.)	1
	Back (in.)	1

**Note:** Before installing, consult installation instructions packed with product for current dimensional data.

Specification Revised 4/99



Total volume and shelf area are calculated by the Association of Home Appliance Manufacturers' standards.



Listed by Underwriters Laboratories

# HOTPOINT

## CTX18GICAA - Hotpoint 18.2 Cu. Ft. Capacity Top-Freezer Refrigerator with Icemaker



### Features and Benefits

- 18.2 cu ft Capacity (Fresh Food 13.04 cu ft / Freezer 5.13 cu ft)
- Automatic Icemaker with Ice Storage Bin
- 2 Clear Vegetable/Fruit Crispers
- Snack Pan
- 2 Full-Width Adjustable Glass Fresh Food Cabinet Shelves
- Fixed Fresh Food Gallon Door Storage with Tall Bottle Storage
- Dairy Compartment
- 1 Adjustable Full-Width Wire Everwhite Freezer Compartment Shelf
- 2 Freezer Door Shelves
- Color-Matched Door Handles
- Model CTX18GICWW - White on white
- Model CTX18GICAA - Almond on almond

## Free Manuals Download Website

<http://myh66.com>

<http://usermanuals.us>

<http://www.somanuals.com>

<http://www.4manuals.cc>

<http://www.manual-lib.com>

<http://www.404manual.com>

<http://www.luxmanual.com>

<http://aubethermostatmanual.com>

Golf course search by state

<http://golfingnear.com>

Email search by domain

<http://emailbydomain.com>

Auto manuals search

<http://auto.somanuals.com>

TV manuals search

<http://tv.somanuals.com>