

# Hotpoint Service and Spares

FOR SERVICE: If you have a problem with your appliance ring your local Service Office.  
 FOR SPARES and ACCESSORIES: To purchase spares and accessories send your Accessories Order Form to your Spares Centre. If the accessory or spare part you want is not on the form, contact your Spares Centre for prices and availability.  
 Please address all correspondence to Hotpoint Spares Centre or Hotpoint Service Office as applicable.

Service Offices and Spares Centres are open between 8.00am-5.00pm Monday to Friday, except on Public Holidays. 8.30am-12.30pm on Saturdays.

**EAST**  
 • **ESSEX:** Industrial Buildings, Beehive Lane, Chelmsford, CM2 9TE. Post Codes RM & IG Tel: (0245) 492433  
 Remainder of Essex Tel: (0245) 269331  
 Cella Road, PE2 9JB. Tel: (0733) 64741  
 Spares Administration Dept. Tel: (0733) 556520

**LONDON**  
 • **WEMBLEY:** For Service  
 68 East Lane, HA9 7PQ. Tel: 081-904 4399  
 S. Herts and Middlesex Tel: 081-908 4722  
 Post Codes N, NW, E, EC Tel: 081-908 4722  
 Post Codes W, WC, SE, SW Tel: 081-908 2511  
 Tel: 081-904 0201

**MIDLANDS**  
 • **BIRMINGHAM:** For Service  
 Westgate, Aldridge, W Midlands, WS9 8UX.  
 Post Codes B Tel: (0922) 743374  
 All other Post Codes Tel: (0922) 743376  
 Tel: (0922) 743377

**NOTTINGHAM:** For Service  
 Ashing Street, NG2 3JB. For Spares Tel: (0602) 860387  
 Tel: (0602) 862431/864322 For Spares Tel: (0782) 774511  
 West Ave, Nelson Estate, Talke, S17 1TN. Tel: (0782) 774511

**NORTH EAST**  
 • **WASHINGTON:** For Service  
 8 Bede House, Tower Road, Glover Est, District 11, NE37 2SH.  
 Tel: 091-417 3500/419 3555  
 Sandbeck Lane, LS22 4TW.  
 Tel: (0937) 581261/581444 For Spares Tel: (0937) 581221

**NORTH WEST**  
 • **KENDAL:** For Service  
 Mumford House, 26 Highgate, LA9 6SX. Tel: (0539) 724483  
 44/46 Station Road, Heaton Mersey, Stockport, SK4 3DT.  
 Manchester North Tel: 061-432 0613  
 Manchester South Tel: 061-442 8677  
 Tel: 061-432 0255  
 7 Bridle Way, Merseyside. Tel: 051-525 2342/524 2339

**SCOTLAND**  
 • **ABERDEEN:** For Service  
 Holbeck House, 68 Carden Place, AB1 1UL. Tel: (0224) 642283  
 35 West Bowling Green Street, Leith, EH6 5NX. Tel: 031-554 1431  
 West Lodge Road, Blythswood Estate, PA4 9EN.  
 Tel: 041-886 6241 For Spares Tel: 041-886 5611

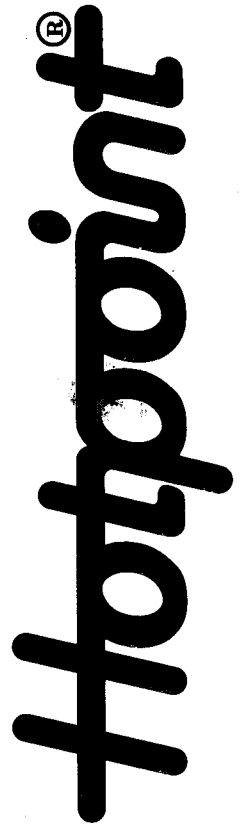
**SOUTH**  
 • **MENT:** For Service  
 Lakfield Trading Est, New Hyde Lane, Lakfield, ME20 6SW.  
 CT, DA, ME & TN Kent Post Codes Tel: (0622) 716571  
 CR, KT, RH, SM Surrey & BR Kent Post Codes (0622) 790707  
 GU Post Codes in Surrey Tel Southampton (0703) 667374  
 Tel: (0622) 716631  
 Unit R, S Hampshire Ind Park, Salisbury Rd, Totton, SO40 3SA.  
 Tel: (0703) 861981/667374 For Spares Tel: (0703) 867933

**WALES**  
 • **SOUTH:** For Service  
 1 Kingswood North St, Halesham, BA27 1DQ. Tel: (0323) 842733  
 69 Muddy Plain, PL4 6JH. Tel: (0752) 262631  
 Conwy Rd, Llandudno Junction, LL31 9RE. Tel: (0492) 573536  
 18 Western Ave, Bridgend Ind Estate, Bridgend, CF31 3SL.  
 Post Codes CF, SA & SY23-25 Tel: (0656) 664121  
 Post Codes SS, GL (not 55), HR, SY15-18, LD1-8, NP. Tel: (0656) 655554  
 Tel: (0656) 766111

<p><b>IRELAND</b>                  • <b>NORTHERN:</b> 256 Ormeau Road, Belfast, BT7 2FL. Tel: (0232) 647111                  49 Airways Ind. Estate, Dublin 17. Tel: Dublin 426088                  For Service Tel: Dublin 426088                  For Spares Tel: Dublin 426836</p> <p>■ Service Office and Spares Centre                  ● Service Office only</p>	<p><b>CHANNEL ISLANDS</b> – Service provided by Agents. Normal Guarantees apply and all Service Schemes are available.</p> <p><b>JERSEY:</b> 19 Don Street, St. Helier. Tel: (0534) 21625                  or Clos D'Ormes, Fontac, St Clements. Tel: (0534) 54608</p> <p><b>GUERNSEY &amp; SARK:</b> Valpys Stores, Grande Rue, St Martins, Guernsey. Tel: (0481) 38422                  or Barras Lane, Vale. Tel: (0481) 51610                  32 High Street, Alderney. Tel: (0481) 822686</p>	<p><b>ISLE OF MAN</b> – Service provided by Agents. Normal Guarantees apply and all Service Schemes are available from</p> <p>5 Drummond St., Douglas. Tel: (0624) 673233                  or Tromode Works, Cronanville Village, Douglas, Tel: (0624) 676066                  or 17 Ridgeway Street, Douglas, Tel: (0624) 25811/25848</p>	<p><b>SHETLAND, ORKNEY &amp; WESTERN ISLES</b> – Service provided by Agents. Normal Guarantees apply, but Service Schemes are NOT available.</p> <p><b>SHETLAND:</b> Fort Road, Lerwick. Tel: (0595) 2557                  Hirstone Ind Estate, Kirkwall. Tel: (0566) 5457</p> <p><b>ORKNEYS:</b> 27 Byrnaed Street, Stormoway, Isle of Lewis Tel: (0851) 3387</p> <p><b>WESTERN ISLES:</b> Local Hydro Electric Shops.</p> <p><b>OTHER ISLANDS:</b> Local Hydro Electric Shops. EXCEPT ARRAN, BUTE &amp; SKYE – Which are covered by Hotpoint.</p>
--	---	--	---

**Download from [www.Somanuals.com](http://www.Somanuals.com). All Manuals Search And Download.**

# HOTPOINT HANDBOOK MODEL FF 40 FRIDGE FREEZER



In accordance with its policy of progressive product design, the Company reserves the right to alter specifications. Hotpoint Ltd, Peterborough, PE2 9JB, England

## Your new Hotpoint Fridge Freezer/Freezer Fridge

Using your new appliance is very simple. Nevertheless, for your own safety and to get the best results it is important that you read right through this handbook **before** using your appliance for the first time. Also do not load the freezer compartment immediately the appliance is switched on, but wait until the correct storage temperature has been reached (see page 8).

### Electrical Requirements

We recommend that this appliance is connected to the mains supply via a suitable switched socket in a readily accessible position.

All Hotpoint appliances come complete with a fitted plug. The plug on your appliance has a 13A fuse. If the plug does not fit your sockets, a new plug can be fitted. Cut off the old plug and throw it away, do not insert it into a socket elsewhere in the house as this could cause a shock hazard.

**WARNING: THIS APPLIANCE MUST BE EARTHED.**

**IMPORTANT: Fitting a Different Plug:**

The wires in the mains lead are coloured in accordance with the following code:

- Green and Yellow – Earth
- Blue – Neutral
- Brown – Live

If you fit your own plug the colours of these wires may not correspond with the identifying marks on the plug terminals. This is what you have to do:

1. Connect the green and yellow (Earth) wire to the terminal in the plug marked 'E' or with the symbol  $\equiv$ , or coloured green or green and yellow.
2. Connect the blue (Neutral) wire to the terminal in the plug marked 'N' or coloured black.
3. Connect the brown (Live) wire to the terminal marked 'L' or coloured red.

With alternative plugs a 15A fuse must be fitted either in the plug or adaptor or in the main fuse box. In the event of replacing a fuse in the plug supplied, a 13A ASTA approved fuse to BS1362 must be fitted.

If the plug is the moulded on type the fuse cover must be refitted when changing the fuse. In the event of losing the fuse cover the plug must **not** be used until a replacement fuse cover has been obtained and fitted. A new fuse cover can be obtained from your nearest Hotpoint Spares Centre or local Electricity Company. The colour of the correct replacement fuse cover is that of the coloured marks or insert in the base of the plug.

### Mains Lead Replacement

If the mains lead on this appliance needs replacing at any time, it must be replaced by a special lead which is obtainable from your nearest Hotpoint Service Office (see back page). A charge will be made for the replacement of the mains lead if you have damaged the lead or require a longer lead.

### WARNING:

**HOW TO AVOID ACCIDENTS TO CHILDREN. WHEN DISCARDING AN OLD FRIDGE OR FREEZER BE CERTAIN TO MAKE THE LOCK UNUSABLE. IF POSSIBLE, REMOVE THE DOORS AND DISCARD SEPARATELY. DO NOT ATTEMPT TO STAND ON TOP OF YOUR APPLIANCE. IT IS NOT DESIGNED FOR SUCH USE AND YOU COULD INJURE YOURSELF OR DAMAGE THE APPLIANCE BY SUCH ABUSE. DO NOT ALLOW THE CHILDREN TO PLAY WITH THE APPLIANCE OR TAMPER WITH THE CONTROLS.**

# Contents

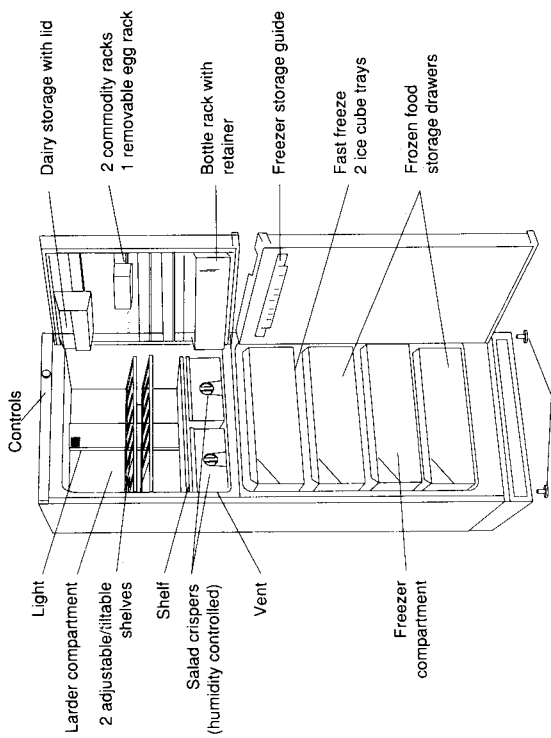
## THIS BOOK COVERS MODEL FF 40

<b>Electrical Requirements</b>	<b>2</b>
<b>Get to know your appliance</b>	<b>4</b>
<b>Installing your appliance</b>	<b>5-6</b>
Where to put your fridge freezer/freezer fridge	
Repositioning the door hinges	
<b>Getting your appliance ready for use</b>	<b>7</b>
Starting	
<b>The Controls</b>	<b>7-8</b>
Controlling the temperature/running in	
The lights – what they mean	
Fast Freeze switch	
<b>Storing Food</b>	<b>9-10</b>
Storing food in the fridge compartment	<b>9-10</b>
Storing frozen food in the freezer compartment	<b>10</b>
Freezing fresh foods – maximum freezing loads and how to freeze them	<b>10</b>
Do's and Don'ts	<b>11-12</b>
<b>Caring for your Appliance</b>	<b>13-14</b>
Defrosting	
Cleaning	
Going Away	
Spare Parts	
<b>If your Appliance won't work</b>	<b>14</b>
Hotpoint Service Cover	<b>15</b>
<b>Hotpoint Service Offices and Spares Centres</b>	<b>16</b>
	<b>Back Page</b>

## **Retention of the Instruction Book**

This Instruction Book must be kept handy for reference as it contains important details on the safe and proper use of the appliance. If you sell or pass the appliance to someone else, or move house and leave it behind, make sure this Book is also provided so the new owner can become familiar with the appliance and safety warnings. If the Book is lost or damaged a copy may be obtained from Hotpoint Ltd, Celta Road, Peterborough, PE2 9JB.

# Get to know your appliance



Adjustable front feet to be fitted at these two corners

## Model FF 40



# Hotpoint Service Cover

## Satisfaction Guaranteed or Your Money Back

Hotpoint gives you a unique 'Satisfaction Guaranteed' promise – valid for ninety days after you have purchased your Hotpoint product. If there is a problem with your Hotpoint appliance just call your Hotpoint Service Office. If necessary we will arrange for an engineer to call, if the problem is not resolved by us under this Guarantee, Hotpoint will replace your appliance or, if you prefer, give you your money back. This Guarantee is additional and subject to the terms of Hotpoint's Five Year Parts Guarantee.

## Hotpoint's Free Five Year Guarantee

From the moment your appliance is delivered, Hotpoint guarantees it for **FIVE YEARS**.

- In the Five Years all replacement parts are **FREE** provided they are fitted by our own Service Engineer. During the first year our Engineer's time and labour is also free.
- After the first year we will charge for our Engineer's time and labour. We do, however, operate a range of Service Plans (see opposite) which for an annual payment enables you to cover any repair costs which may be necessary
- All of our service repairs are guaranteed for twelve months in respect of our labour and any parts fitted.
- The appliance must be used in the United Kingdom and must not be tampered with or taken apart by anyone other than our own Service Engineer.
- You may, however, buy parts which can be safely fitted without specialist knowledge or equipment. The correct fitting of such parts, provided they are genuine Hotpoint spares, will not affect your Guarantee. Parts are available from our main Hotpoint Spares Centres.
- Our Guarantee does not cover the cost of any repair which is needed because of power cuts, accidents or misuse. Nor does it cover the cost of any visit to advise you on the use of the appliance. Please read the instruction book thoroughly.
- If at any time during the Guarantee period we are unable to repair your appliance, we will refund any repair costs paid to us in the previous twelve months. We will also offer you a new appliance at a reduced charge instead of a repair.
- Our Guarantee is in addition to and does not affect your legal rights.
- Should you need independent advice on your consumer rights, help is available from your Consumer Advice Centre, Law Centre, Trading Standards Department and Citizens Advice Bureau.
- All Hotpoint servicing is done by our own Service Organisation located throughout the United Kingdom and Southern Ireland. It will be happy to deal with any problems.

## Hotpoint's Service Care

Whether you have just one or a number of Hotpoint appliances in your kitchen, Hotpoint has a range of Service Schemes to give you complete peace of mind.

## Service Cover

A single payment covers you for all repairs during the period of cover, which can be from 1 to 4 years. There is also an option of Service Cover with Maintenance at an additional cost. This includes an annual Electrical and Safety check and replacement of any parts as necessary. For 1 year contracts this takes place towards the end of the contract period.

## Kitchen Cover

An annual payment covers you for all repairs for all your Hotpoint appliances which are less than 10 years old. It also covers the cost of loss of food up to £250 in our refrigeration and freezer products. There is also the option of Kitchen Cover with Maintenance at an additional cost. Any additional Hotpoint appliances purchased after you have joined Hotpoint Kitchen Cover will automatically be included during the annual period of cover without further charge.

## Appliance Registration

To ensure that you have the opportunity to benefit from any of the above Service Schemes you should complete and return immediately the Appliance Registration Form supplied with your appliance. Full details and costs of our Service Schemes together with an application form will be sent to you at the end of the first year of the guarantee.

## Annual Safety/Maintenance Checks

Hotpoint strongly recommends that all its appliances are regularly checked for electrical and mechanical safety whether or not they are covered by a Service Plan.

## Proof of Purchase

For future reference please attach your purchase receipt to this booklet and keep it in a safe place.

## Spares and Accessories

Spares and accessories can be ordered from your local Hotpoint Spares Centre (listed on the back page), using the order form enclosed.

**NOTE:** Our Engineer will use every effort to avoid damage to floor coverings and adjacent units when carrying out repairs/service work but in locations where the Engineer advises you that it will be impossible to move the appliance without risk of damage, he will only proceed with your approval that no liability is accepted.

# Installing your appliance

## Where to put your appliance

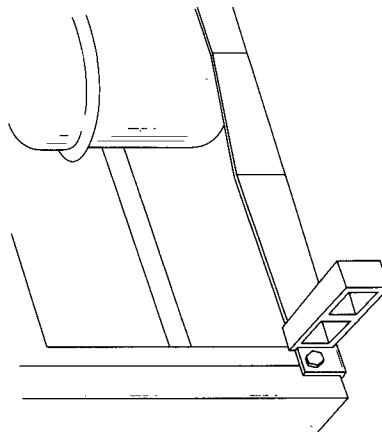
Your appliance should be placed where it is easy to use, adjacent to a work surface is often a good position.

It is advisable to position the appliance away from anything which gives off heat, a cooker or radiator for example or in a position where sunlight is liable to shine directly onto the appliance.

Your appliance is designed to operate in temperatures between +16°C and +32°C.

Ensure that there is a 5cm gap between the appliance and other items – wall kitchen units or appliances.

To allow for sufficient space at the rear of the appliance for air circulation, two spacers are provided. Position these onto each corner of the rear side edge. See diagram below.



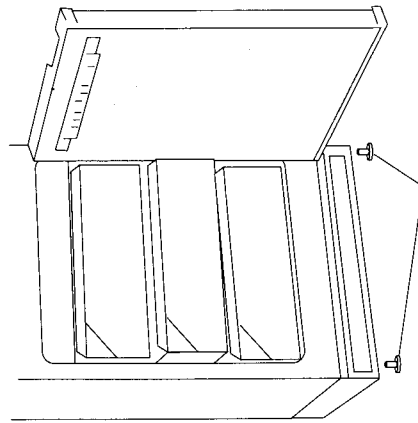
## Fitting the adjustable feet

The two adjustable feet, which **must** be fitted to the front underside corners of the appliance, are for transportation purposes, packed in the appliance interior with the spacers and the adjustable spanner (for adjusting the top hinge).

Remove the feet from the polythene bag. Carefully raise the front of the appliance (you may need a second person to hold the appliance) and screw the feet in position (see diagram below).

Carefully lower the appliance onto the floor and push the appliance into position until the spacers are against the wall.

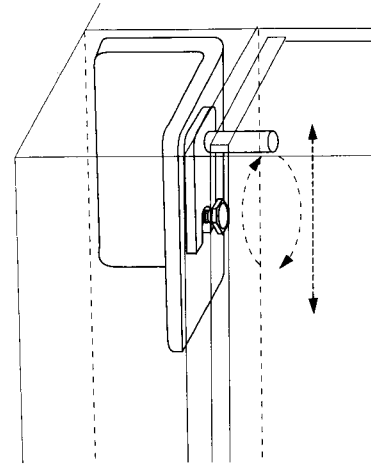
Adjust both feet either clockwise or anti-clockwise until all four corners of the appliance are firmly in contact with the floor.



Location of the adjustable feet

## Adjustment of the upper hinge

(spanner provided in polythene bag) If the upper door is not in line with the control panel, partially unscrew the screw fixing the pivot plate to the upper hinge. Move the plate to the right or left in order to line up the upper panel of the door to the control panel. Tighten the screw again with the key.



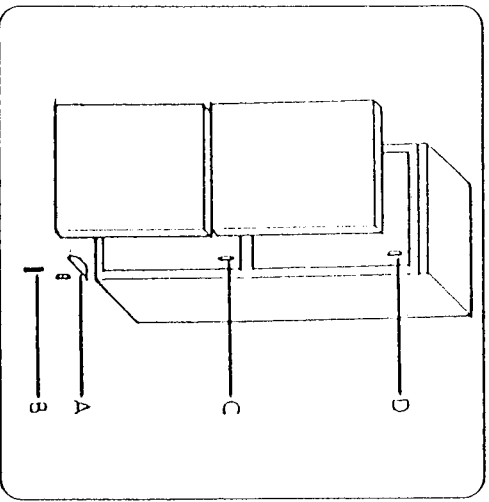
## Installing your appliance (cont)

### Door reversibility

Fridge Freezers are normally supplied with the doors hinged to the cabinet on the right hand side (look/kick from the front). When necessary it is possible to change the doors to hinge on the left hand side.

### The procedure is as follows.

1. Unscrew and remove the bottom hinge (A) and lift off the bottom door.
2. Unscrew the support pin (B) from the bottom hinge, turn the hinge over and refit the support pin to the opposite side.
3. Unscrew the centre hinge (C) and lift off the top door.
4. Unscrew the support pin (D) from the right upper hinge and refit to the upper left hand hinge.
5. Remount the top door on the top support pin and refit the centre hinge to the left side.
6. Remount the bottom door on to the centre hinge support pin and refit bottom hinge.



## Spare Parts

Please remember your new appliance is a complex piece of equipment.

'DIY' repairs or unqualified and untrained service people may put you in danger, could damage the appliance and might mean you lose cover under Hotpoint's Parts Guarantee.

If you do experience a problem with the appliance don't take risks; call in

Hotpoint's own Service Engineer.

The address and telephone number of your nearest Hotpoint Service Office is in your local telephone directory.

Our spare parts are designed exclusively to fit only Hotpoint appliances. Do not use them for any other purpose as you may create a safety hazard.

## If your Appliance won't work

1. don't panic  
Just run through these quick checks before calling your nearest Hotpoint Service Office.
  1. Check that the plug is firmly in the wall socket and that the power supply is on.
  2. Check the power supply to the socket by plugging in another appliance.
  3. If the other appliance works, check the fuse in the appliance's plug.
  4. If you have changed the plug, check the wiring (see page 2).
  5. If there is excessive noise or vibration, check that a) the four corners of the appliance are firmly in contact with the ground (see page 5), b) the appliance is not in contact with another appliance or kitchen furniture, and c) the rear condenser is not vibrating.
  6. If the interior light fails to work, check that the power has not failed then refer to page 14 for further instructions.
  7. If, when switching on the appliance initially, it won't start, the defrost cycle may be in operation. Wait approximately ½ hour for the appliance to start automatically.
8. If the internal temperature is too warm:
  - turn the thermostat control to a colder position
  - check that the doors are closed
  - check that the appliance is not near a heat source
  - check that air is able to circulate fully around the exterior of the appliance; particularly the rear and the sides
  - open the door as little as possible until the normal operating temperature is achieved.
9. If the internal temperature is too cold:
  - turn the thermostat control to a warmer position.
10. Check that the appliance has not been switched off inadvertently either by removing the plug or switching the control to ●. If it has been switched off in error, wait 10 minutes before switching on again.

## Caring for your Fridge Freezer/Freezer Fridge

### Cleaning

Your appliance is designed to be frost free. There is no need to defrost each compartment, as this is carried out automatically.

**Note:** When the appliance is in the defrost cycle the interior light will be on but the unit may not operate. This is not a fault. When the defrost cycle has completed, the appliance will operate automatically.

The appliance interior is cooled by air flow through vents. The frost is absorbed by the evaporator, defrosted and the excess water flows into a small container from where it evaporates.

### Cleaning the interior

Switch off the mains electricity supply and remove the plug from the socket outlet.

Wipe out the interior using a clean cloth wrung out in solution of 1 teaspoonful of bicarbonate of soda to 1 pint of water or Milton diluted according to the manufacturer's instructions.

**Never** use any household cleaner or detergent, abrasive powders or wax polish. These not only damage the surfaces, but also leave a smell in the appliance. Before you refill the appliance ensure it is thoroughly dry.

Clean the outside of the appliance, **but not the door seal**, with a damp cloth, using a small amount of detergent, followed by a wipe down with a clean cloth. **Do not** use an abrasive powder. **The rubber door seal must be cleaned with soap and water only as detergent will damage it.**

Finally, the compressor and condenser at the back of the appliance can be carefully cleaned. Use a brush or vacuum cleaner to remove any dust. **Always** check that the appliance is disconnected from the mains when doing this.

Remember to replace the mains plug and switch on after cleaning your appliance.

## Getting your appliance ready for use

Before use, the interior including the door and all removable parts should be wiped out.

Use a clean damp cloth, wrung out in either a solution of 1 teaspoonful of bicarbonate of soda to 1 pint of water or Milton diluted according to the manufacturer's instructions. Do not allow water to come into contact with the interior thermostat, interior light or controls.

**WARNING: NEVER USE ANY HOUSEHOLD CLEANER OR DETERGENT, ABRASIVE POWDERS OR WAX POLISH. THESE NOT ONLY DAMAGE THE SURFACES, THEY ALSO LEAVE A SMELL IN THE APPLIANCE.**

Wipe dry using a clean dry cloth.

**NOTE: It is possible that the defrost cycle may be in operation when the appliance is switched on initially. Wait approximately 30 minutes for the appliance to start automatically.**

### Final check

Before you start the appliance check the following:

1. It is thoroughly dry inside
2. The appliance is standing level and all feet are correctly adjusted and in firm contact with the floor.
3. Air can circulate freely around the appliance including the rear.
4. The shelves, racks and storage boxes are correctly fitted.

### STARTING

**NOTE: THE APPLIANCE SHOULD BE ALLOWED TO STAND FOR TWO HOURS BEFORE SWITCHING ON IF IT HAS BEEN MOVED IN THE HORIZONTAL POSITION AT DELIVERY OR PRIOR TO PLACING IN THE CORRECT WORKING POSITION. INSERT THE PLUG INTO THE SOCKET OUTLET AND SWITCH ON THE ELECTRICITY SUPPLY.**

## The Controls

Model FF 40



## The Controls (cont)

You may hear a noise as soon as the compressor starts up.

However as these models are frost free, the defrost cycle may be in operation even though you have only just switched it on. After approximately 30 minutes the appliance will start automatically.

Do not fill the appliance with food items immediately – wait one hour before placing food in the fridge and 6 hours before storing frozen food.

### Running in the compressor

Your appliance is operated by a compressor which switches on and off in order to maintain the appliance's temperature. The compressor is a precision piece of machinery and, like a car engine, requires a running-in period of up to 2 months. During this time the compressor may have to work a little harder and this may result in more noise than usual.

## Controlling the Temperature

### Controlling the temperature inside the fridge compartment

The temperature inside your refrigerator should be 5°C or less, though some sections such as the Salad Crisper will be warmer. Frequent door openings cause higher temperatures inside.

If using a thermometer to check the temperature, it should be left overnight on the centre of the middle shelf and read immediately the door is initially opened the following morning. If the temperature reading is more than 5°C the controls should be adjusted.

A fridge/freezer thermometer Part No. 8058 is available as an optional extra to ensure that you maintain your appliance at the correct temperature. This can be ordered from your local Hotpoint Spares Centre (see back page) using the order form enclosed.

**WARNING: DO NOT USE A MERCURY FILLED THERMOMETER.**

## Do's and Don't's (cont)

### Fridge compartment

**Don't:--** Store bananas in the fridge compartment.

**Don't:--** Store melon in the fridge compartment. It can be chilled for short periods as long as it is wrapped to avoid it flavouring other food.

**Don't:--** Wash eggs as this removes their natural protective film. Wipe them instead.

**Don't:--** Use eggs straight from the fridge compartment, especially when making cakes or mayonnaise. Allow them to reach room temperature before use.

**Don't:--** Leave the door open for long periods as this will make the fridge compartment more costly to run.

**Don't:--** Cover the shelves with any protective materials which may obstruct air circulation through them.

**Don't:--** Store poisonous or dangerous substances in the fridge. Your fridge has been designed for the storage of edible foodstuffs only.

**Don't:--** Consume food which has been stored for an excessive time in the fridge.

**Don't:--** Let defrosting food or food juices drip onto food in your fridge.

**Don't:--** Prevent air circulation by placing items closely together.

**Don't:--** Cover air ducts with food items.

**Don't:--** Place uncovered food or liquids in the fridge.

### Freezer compartment

**Don't:--** Exceed the maximum freezing loads when freezing fresh food (see page 11).

**Don't:--** Put hot food into the freezer or even in the fridge compartment. Let it cool down first.

**Don't:--** Leave the door open for long periods as this will make the freezer compartment more costly to run.

**Don't:--** Put liquid-filled bottles or sealed cans containing carbonated liquids (fizzy drinks, etc.) into the freezer compartment as they may burst.

**Don't:--** Try to keep frozen food which has thawed; it should be eaten within 24 hours or cooked and refrozen.

**Don't:--** Give children lollipops and water ices direct from the freezer compartment. The low temperature may cause 'freezer burns' on their lips.

**Don't:--** Store poisonous or dangerous substances in the freezer. Your freezer has been designed for the storage of edible foodstuffs only.



# The Controls (cont)

## Do's and Dont's

### Fridge compartment

- Do:-** Take off any unusable leaves on vegetables and wipe off any soil.
- Do:-** Leave lettuce, cabbage, parsley and cauliflower on the stem.
- Do:-** Wrap cheese tightly in greaseproof paper and a polythene bag excluding as much air as possible. For best results take out of the fridge compartment an hour before eating.
- Do:-** Wrap raw meat and poultry in polythene or aluminium foil. This prevents drying.
- Do:-** Wrap fish and offal in polythene bags.
- Do:-** Wrap foods which have a strong odour or can dry out in polythene bags, aluminium foil or place in airtight containers.
- Do:-** Wrap bread well to keep it fresh.
- Do:-** Chill white wines, beer, lager and mineral water before serving.
- Do:-** Ensure that cooked foods are allowed to cool before storing in the refrigerator.
- Do:-** Clean your salad crisper and vegetable drawers regularly.
- Do:-** Keep raw meat and poultry below cooked foods and dairy products.
- Do:-** Keep food for as short a time as possible and adhere to 'best by' dates.
- Do:-** Ensure that cooked meat and raw meat are packaged separately.
- Do:-** Store all liquids in air tight containers.
- Do:-** Store food items in the positions recommended by the manufacturers.
- Do:-** Ensure maximum air circulation around food items.
- Do:-** Ensure vents are not blocked/covered/obscured.

### Freezer compartment

- Do:-** Always choose high quality fresh food and be sure it is thoroughly clean before you freeze it.
- Do:-** Prepare fresh food for freezing in small portions to ensure rapid freezing.
- Do:-** Remember lean foods last longer than fat foods.
- Do:-** Wrap all foods in aluminium foil or polythene bags and make sure any air is excluded. Keep the door shut when freezing fresh food.
- Do:-** Separate food in different baskets for easy identification.
- Do:-** Wrap frozen food when you buy it and put it into the freezer compartment as soon as possible.
- Do:-** Empty and refill the ice tray periodically to ensure freshness.
- Do:-** Store commercially frozen food in accordance with the instructions given on the packets that you buy.
- Do:-** Always defrost frozen foods before cooking unless instructions on the packet state otherwise.
- Do:-** Ensure that fresh food which is frozen, is well labelled and dated.

### Setting the temperature

#### Model FF 40

The thermostat control on the fascia is marked ● off; 1-7; the highest numbers correspond to the lowest temperature.

A control setting of between 3/4 is usually suitable; but if you find the interior of the fridge compartment is too warm, turn the control clockwise to a colder setting (higher number). Similarly, if you find the interior is too cold, turn the control anti-clockwise to a warmer setting (lower number).

If the fridge door is opened frequently in a short space of time turn the thermostat control to a higher number (colder setting).

With a suitable fridge compartment temperature, the freezer compartment will automatically be maintained at the correct temperature necessary for **\*\*\*** frozen food storage.

**NOTE: WHEN THE FREEZER CONTROL IS TURNED TO ● THE APPLIANCE WILL BE SWITCHED OFF. IF CONTROL IS INADVERTENTLY SWITCHED TO ● WAIT AT LEAST 10 MINUTES BEFORE SWITCHING APPLIANCE ON.**

### Freezin fresh food

#### Model FF 40

**DO NOT** exceed 0.5kg of fresh food to be frozen in 24 hours.

# Storing Food

## Storing food in your fridge compartment

You can store most fresh foods in the fridge compartment. recommended maximum storage times are given in the table below.

	Days
<b>Raw fresh meat</b>	
joints, steaks, chops	1
offal (liver, kidney, etc.)	1
minced meat, sausages	1
cooked meat	1
<b>Cooked meat</b>	
made-up dishes and left-overs	1
<b>Poultry</b>	
fresh, whole (store giblets separately)	1
cooked	1
giblets	1
<b>Fish</b>	
raw	1
cooked	2
<b>Bacon</b>	
joints (uncooked)	2-8
rashers	2-10
ham (unsmoked)	1-3
<b>Milk</b>	
pasteurised and homogenized	1-3
<b>Cream</b>	
fresh	2
yogurt, sour cream	2-10
<b>Butter</b>	
14-28	
<b>Margarine and cooking fats</b>	
21-28	
<b>Cheese</b>	
hard	7-28
semi-hard, blue	7-14
cream, cottage	7
<b>Eggs</b>	
shell	7-28
hard boiled	1-3
<b>Vegetables</b>	
2-14	
<b>Salad</b>	
vegetables	2-14
prepared	1-3

The coldest part of the fridge is above the salad crisper/vegetable drawer. Store fish, cooked meats, fresh meat, poultry, ham, sausages, milk and cream products in this area.

Close the vents on the salad drawer front

**Do not** cover the vent at the rear of the salad drawer.  
Store butter, eggs, preserves, cheese, margarines, etc. in the commodity racks on the door; convenience foods, baked items on the centre shelf; drinks in the bottle rack; fruit, vegetables, salad items in the salad bins.

**ALL FOOD ITEMS MUST BE WRAPPED.**

# Storing Food (cont)

**Do not** cover the air circulation vent. If the vent above the salad crisper/vegetable drawer is opened, do not inadvertently cover with packages of food items.

For maximum storage conditions, it is essential that air around the food is allowed to circulate freely.

## Storing food in your freezer compartment

Your freezer compartment carries the **\*\*\*** symbol which indicates that it is suitable for the long-term storage of commercially-frozen foods and can also be used to freeze and store fresh food. The freezer compartment will store up to 108 litres of frozen food.

Generally speaking long-term storage means up to 3 months, but this will vary with the nature of the packaged food, so always follow the manufacturer's recommended storage time given on the packet. For storing home frozen fresh food refer to the pictorial guide on the door liner.

## If there is a power failure do not open the freezer compartment door.

Frozen food should not be affected if the failure lasts for less than 11 hours. If the failure is longer then the food should be checked and either eaten immediately or cooked and then refrozen.

## Freezing fresh foods

### Maximum freezing load

You can freeze up to 6.5kg (14lb) of fresh or cooked food in any 24 hours. When freezing fresh food turn the temperature control dial to the highest number (7). Add the fresh food.

After 24 hours turn the control dial back to the original setting.

### Freezer contents cards

Use a soft pencil to itemise both the contents of the freezer compartment and the 'use by' dates. Use a soft rubber to remove the writing.

## Free Manuals Download Website

<http://myh66.com>

<http://usermanuals.us>

<http://www.somanuals.com>

<http://www.4manuals.cc>

<http://www.manual-lib.com>

<http://www.404manual.com>

<http://www.luxmanual.com>

<http://aubethermostatmanual.com>

Golf course search by state

<http://golfingnear.com>

Email search by domain

<http://emailbydomain.com>

Auto manuals search

<http://auto.somanuals.com>

TV manuals search

<http://tv.somanuals.com>