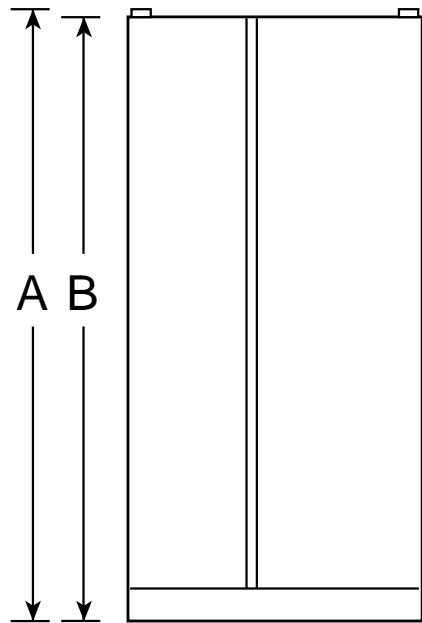
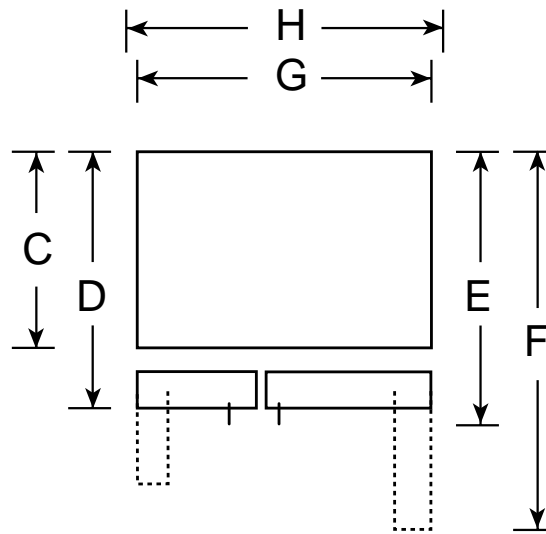


HOTPOINT®

HSS2DDM - Hotpoint 21.8 Cu. Ft. Side-by-Side Refrigerator with Icemaker



Front View



Top View

Overall Dimensions	Height with hinge (in.) A	69-3/4
	Height without hinge (in.) B	66-1/2
	Depth without Doors (in.) C	28
	Depth with Doors (in.) D	30-3/4
	Depth plus Handle with Doors Closed (in.) E	33
	Depth with Doors open 90° (in.) F	48-13/16
	Width with Doors Closed (in.) G	33-1/2
Air Clearances	Width with Doors open 90° Less Handle (in.) H	35-12/16
	Each side (in.)	1/8
	Top (in.)	1
	Back (in.)	1

Specification Revised 3/01



Total volume and shelf area are calculated by the Association of Home Appliance Manufacturers' standards.

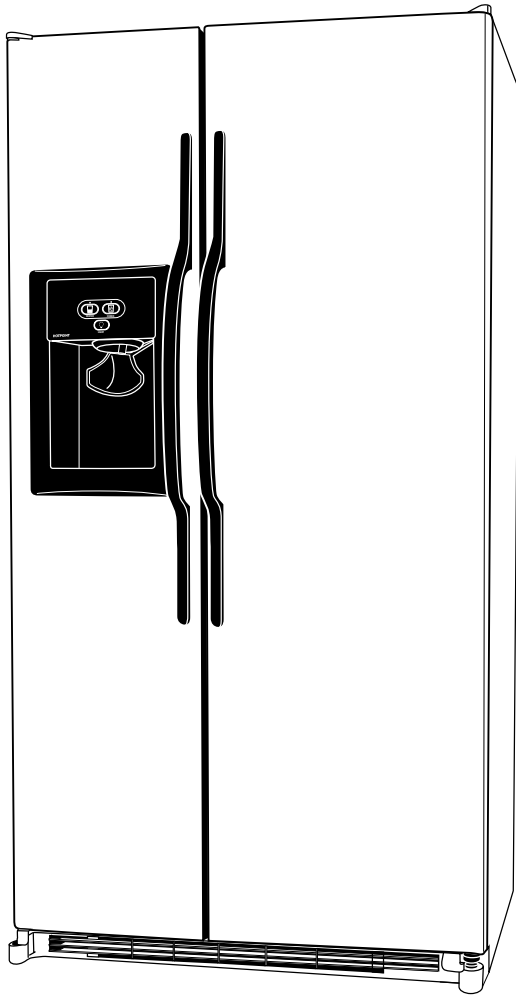


Listed by Underwriters Laboratories



HOTPOINT®

HSS2DDM - Hotpoint 21.8 Cu. Ft. Side-by-Side Refrigerator with Icemaker



Features and Benefits

- 21.8 cu ft Capacity (Fresh Food 14.7 cu ft / Freezer 7.1 cu ft)
- Upfront Electronic Temperature Control
- FrostGuard™ Technology
- Tall LightTouch! Dispenser
- Hotpoint® Water Filter
- NeverClean™ Condensor
- 3 Adjustable Wire Fresh Food Cabinet Shelves
- Sealed Deli Pan
- Sealed Fruit/Vegetable Crisper
- 4 Fresh Food Door Shelves (2 Adjustable with Gallon Storage)
- Electronic Icemaker
- Deluxe Quiet Design
- Model HSS2DDMWH - White

Specification Revised 3/01

Free Manuals Download Website

<http://myh66.com>

<http://usermanuals.us>

<http://www.somanuals.com>

<http://www.4manuals.cc>

<http://www.manual-lib.com>

<http://www.404manual.com>

<http://www.luxmanual.com>

<http://aubethermostatmanual.com>

Golf course search by state

<http://golfingnear.com>

Email search by domain

<http://emailbydomain.com>

Auto manuals search

<http://auto.somanuals.com>

TV manuals search

<http://tv.somanuals.com>