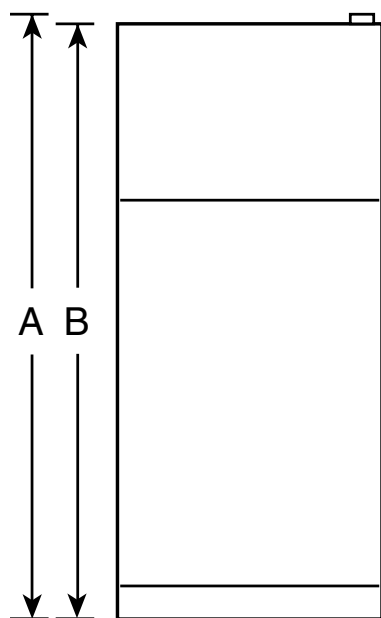


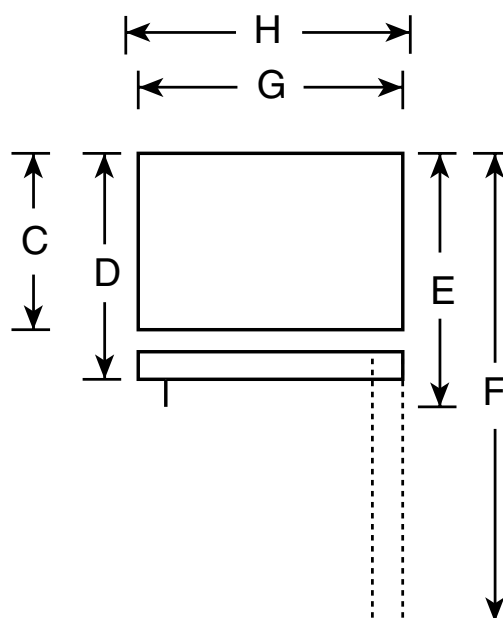
# HOTPOINT®

## HTM16BBR – Hotpoint® 15.8 Cu. Ft. Top-Freezer Refrigerator

Front View



Top View



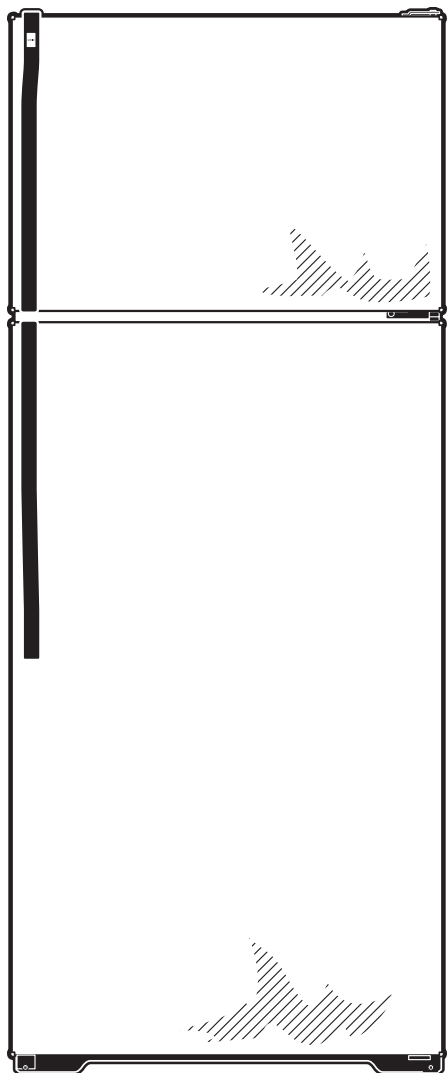
Overall Dimensions	Height with hinge (in.) <b>A</b>	<b>64-3/4</b>
	Height without hinge (in.) <b>B</b>	<b>64-1/4</b>
	Depth without doors (in.) <b>C</b>	<b>25-7/8</b>
	Depth with doors (in.) <b>D</b>	<b>29-1/8</b>
	Depth plus handle with doors closed (in.) <b>E</b>	<b>31</b>
	Depth with doors open 90° (in.) <b>F</b>	<b>54-7/8</b>
	Width with doors closed (in.) <b>G</b>	<b>28</b>
	Width with door open 90° with door handle (in.)	<b>30-1/2</b>
	Air Clearances	Each side (in.)
Top (in.)		<b>1</b>
Back (in.)		<b>1</b>

**Note:** Before installing, consult installation instructions packed with product for current dimensional data.



# HOTPOINT®

## HTM16BBR – Hotpoint® 15.8 Cu. Ft. Top-Freezer Refrigerator



### Features and Benefits

- Silver Metallic Exterior
- Upfront Temperature Controls – Are positioned up front, close at hand, for maximum convenience and ease of use
- Adjustable Wire Shelves – Provide strong support and slide out with ease
- Vegetable/Fruit Crispers – For easy storage of your fruits and vegetables
- Tall bottle door storage – Is designed to hold upright bottles and containers
- NeverClean™ Condenser – Condenser coils are encased, so they don't require cleaning in normal operating environments
- Deluxe Quiet Design – Significantly reduces operating noise
- Model HTM16BBRSA – Silver metallic

Specification Created 1/04

410444

## Free Manuals Download Website

<http://myh66.com>

<http://usermanuals.us>

<http://www.somanuals.com>

<http://www.4manuals.cc>

<http://www.manual-lib.com>

<http://www.404manual.com>

<http://www.luxmanual.com>

<http://aubethermostatmanual.com>

Golf course search by state

<http://golfingnear.com>

Email search by domain

<http://emailbydomain.com>

Auto manuals search

<http://auto.somanuals.com>

TV manuals search

<http://tv.somanuals.com>