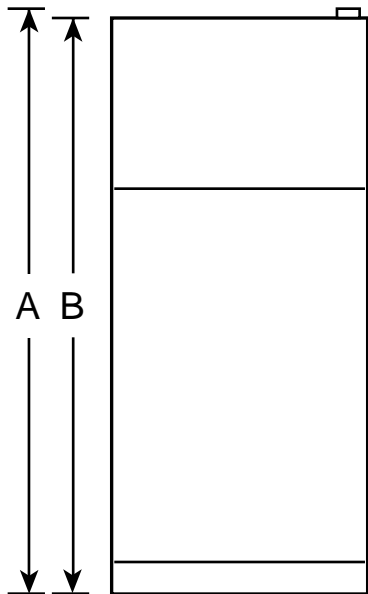


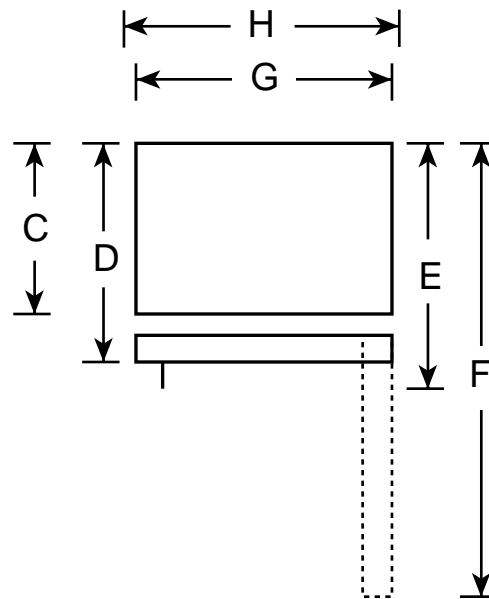
HOTPOINT

HTR15ABM—Hotpoint 14.6 Cu. Ft. Top-Freezer Refrigerator

Front View



Top View



| | | |
|--------------------|--|---------------|
| Overall Dimensions | Height with hinge (in.) A | 61-3/4 |
| | Height without hinge (in.) B | 61-1/4 |
| | Depth without Doors (in.) C | 25-7/8 |
| | Depth with Doors (in.) D | 29-1/8 |
| | Depth plus Handle with Doors Closed (in.) E | 29-1/8 |
| | Depth with Doors open 90° (in.) F | 54-7/8 |
| | Width with Doors Closed (in.) G | 28 |
| | Width with Doors open 90° Less Door Handles (in.) H | 28-5/8 |
| Air Clearances | Each side (in.) | 3/4 |
| | Top (in.) | 1 |
| | Back (in.) | 1 |

Note: Before installing, consult installation instructions packed with product for current dimensional data.

Specification Revised 3/01



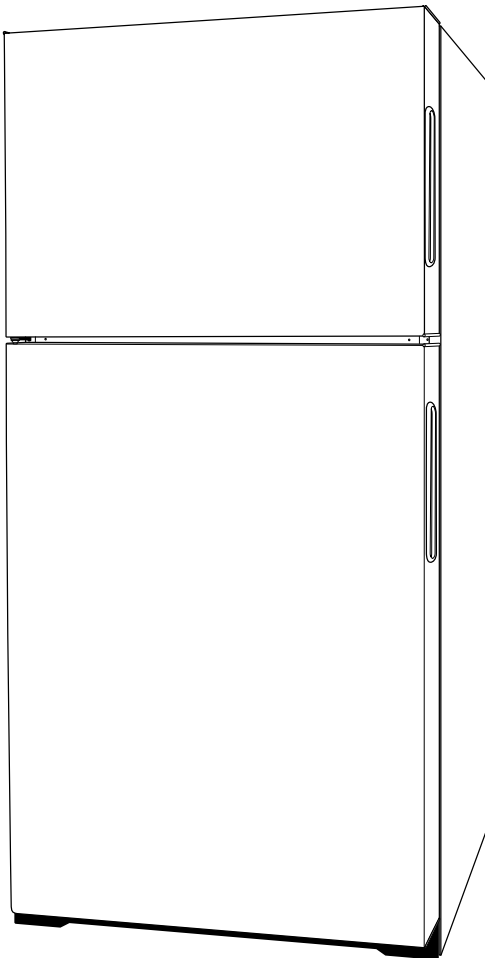
Total volume and shelf area are calculated by the Association of Home Appliance Manufacturers' standards.



Listed by Underwriters Laboratories

HOTPOINT

HTR15ABM—Hotpoint 14.6 Cu. Ft. Top-Freezer Refrigerator



Features and Benefits

- 14.6 cu. ft. Capacity (Fresh Food 10.72 cu. ft. / Freezer 3.86 cu. ft.)
- Equipped for Optional Automatic Icemaker
- 1 Full-Width White Vegetable/Fruit Crisper
- 2 Fixed Fresh Food Door Shelves with Tall Bottle Storage
- 2 Adjustable Full-Width Wire Everwhite Fresh Food Cabinet Shelves
- 2 Fixed Freezer Door Shelves
- 1 Ice 'N Easy Tray
- Deluxe Quiet Design
- Color-Matched Recessed Door Handles
- Model HTR15ABMWW—White on white
- Model HTR15ABMAA—Almond on almond

Specification Revised 3/01

Free Manuals Download Website

<http://myh66.com>

<http://usermanuals.us>

<http://www.somanuals.com>

<http://www.4manuals.cc>

<http://www.manual-lib.com>

<http://www.404manual.com>

<http://www.luxmanual.com>

<http://aubethermostatmanual.com>

Golf course search by state

<http://golfingnear.com>

Email search by domain

<http://emailbydomain.com>

Auto manuals search

<http://auto.somanuals.com>

TV manuals search

<http://tv.somanuals.com>