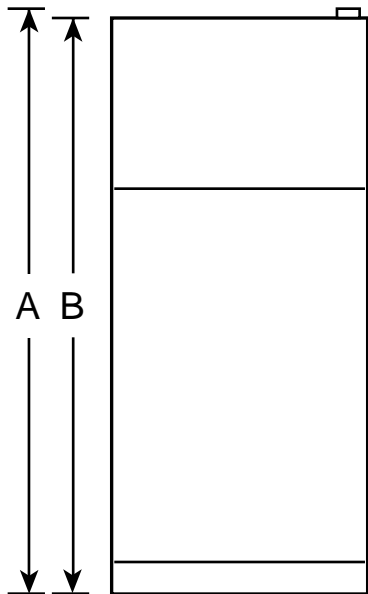


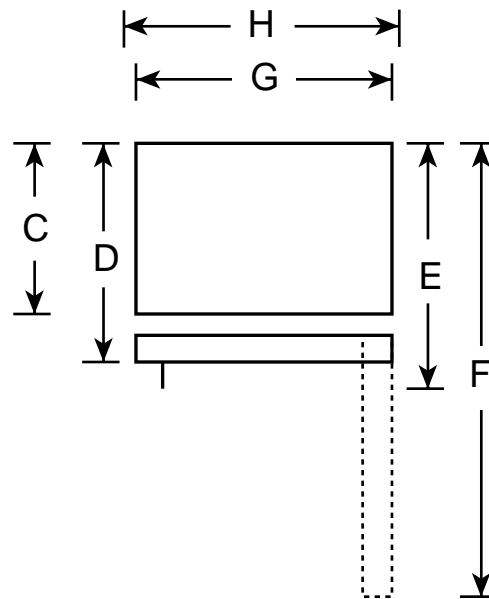
# HOTPOINT

## HTR15BBM—Hotpoint 14.6 Cu. Ft. Top-Freezer Refrigerator

Front View



Top View



Overall Dimensions	Height with hinge (in.) <b>A</b>	<b>61-3/4</b>
	Height without hinge (in.) <b>B</b>	<b>61-1/4</b>
	Depth without Doors (in.) <b>C</b>	<b>25-7/8</b>
	Depth with Doors (in.) <b>D</b>	<b>29-1/8</b>
	Depth plus Handle with Doors Closed (in.) <b>E</b>	<b>29-1/8</b>
	Depth with Doors open 90° (in.) <b>F</b>	<b>54-7/8</b>
	Width with Doors Closed (in.) <b>G</b>	<b>28</b>
	Width with Doors open 90° Less Door Handles (in.) <b>H</b>	<b>28-5/8</b>
Air Clearances	Each side (in.)	<b>3/4</b>
	Top (in.)	<b>1</b>
	Back (in.)	<b>1</b>

**Note:** Before installing, consult installation instructions packed with product for current dimensional data.

Specification Revised 3/01



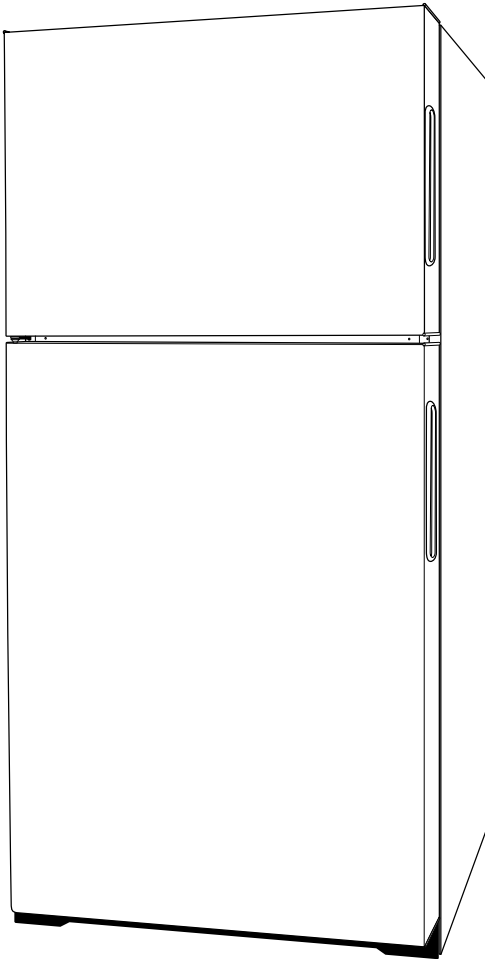
Total volume and shelf area are calculated by the Association of Home Appliance Manufacturers' standards.



Listed by Underwriters Laboratories

# HOTPOINT

## HTR15BBM—Hotpoint 14.6 Cu. Ft. Top-Freezer Refrigerator



### Features and Benefits

- 14.6 cu. ft. Capacity (Fresh Food 10.77 cu. ft. / Freezer 3.86 cu. ft.)
- Equipped for Optional Automatic Icemaker
- 2 Vegetable/Fruit Crispers
- 2 Adjustable Full-Width Wire Everwhite Fresh Food Cabinet Shelves
- 2 Fresh Food Door Shelves with Tall Bottle Storage
- Dairy Compartment
- 2 Ice 'N Easy Trays with Ice Tray Shelf
- Deluxe Quiet Design
- Color-Matched Recessed Door Handles
- Model HTR15BBMWW—White on white
- Model HTR15BBMAA—Almond on almond

Specification Revised 3/01

## Free Manuals Download Website

<http://myh66.com>

<http://usermanuals.us>

<http://www.somanuals.com>

<http://www.4manuals.cc>

<http://www.manual-lib.com>

<http://www.404manual.com>

<http://www.luxmanual.com>

<http://aubethermostatmanual.com>

Golf course search by state

<http://golfingnear.com>

Email search by domain

<http://emailbydomain.com>

Auto manuals search

<http://auto.somanuals.com>

TV manuals search

<http://tv.somanuals.com>