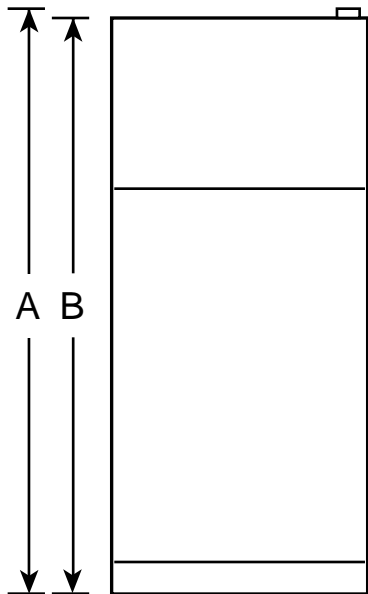


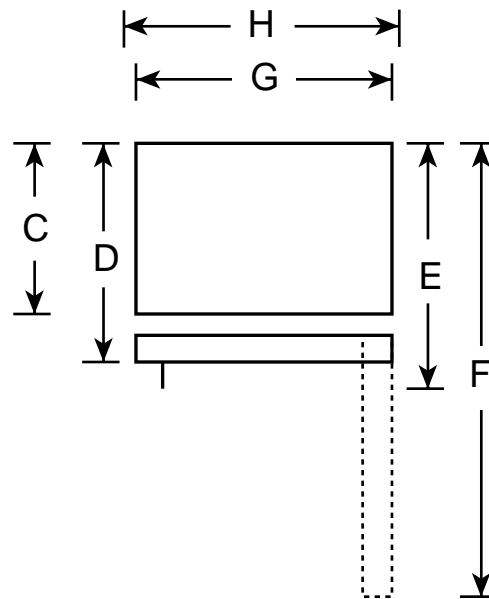
HOTPOINT

HTS15BBM—Hotpoint 14.6 Cu. Ft. Top-Freezer Refrigerator

Front View



Top View



Overall Dimensions	Height with hinge (in.) A	61-3/4
	Height without hinge (in.) B	61-1/4
	Depth without Doors (in.) C	25-7/8
	Depth with Doors (in.) D	29-1/8
	Depth plus Handle with Doors Closed (in.) E	31
	Depth with Doors open 90° (in.) F	54-7/8
	Width with Doors Closed (in.) G	28
	Width with Doors open 90° Less Door Handles (in.) H	28-5/8
Air Clearances	Each side (in.)	3/4
	Top (in.)	1
	Back (in.)	1

Note: Before installing, consult installation instructions packed with product for current dimensional data.

Specification Revised 3/01



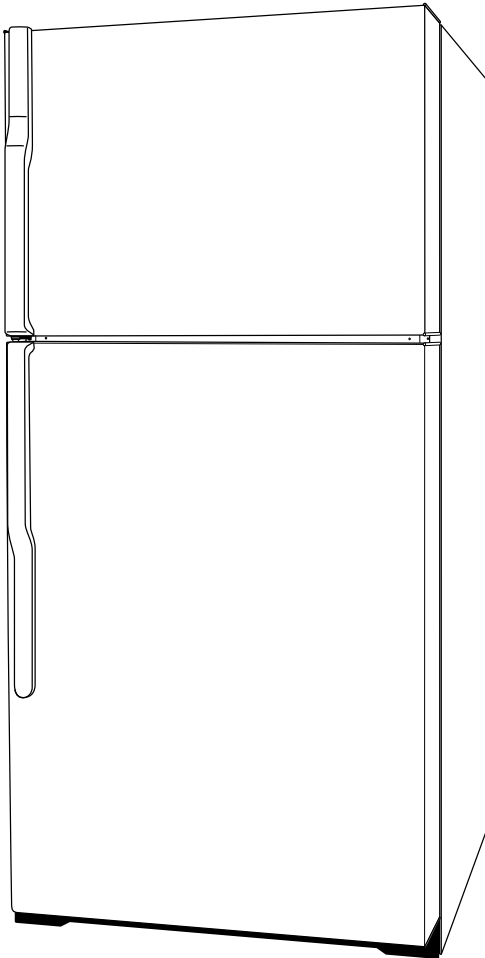
Total volume and shelf area are calculated by the Association of Home Appliance Manufacturers' standards.



Listed by Underwriters Laboratories

HOTPOINT

HTS15BBM—Hotpoint 14.6 Cu. Ft. Top-Freezer Refrigerator



Features and Benefits

- 14.6 cu. ft. Capacity (Fresh Food 10.77 cu. ft. / Freezer 3.86 cu. ft.)
- Equipped for Optional Automatic Icemaker
- 2 Vegetable/Fruit Crispers
- 2 Adjustable Full-Width Wire Everwhite Fresh Food Cabinet Shelves
- 2 Fresh Food Door Shelves with Tall Bottle Storage
- Dairy Compartment
- 2 Ice 'N Easy Trays with Ice Tray Shelf
- Deluxe Quiet Design
- Color-Matched Door Handles
- Model HTS15BBMWW—White on white
- Model HTS15BBMAA—Almond on almond

Specification Revised 3/01

Free Manuals Download Website

<http://myh66.com>

<http://usermanuals.us>

<http://www.somanuals.com>

<http://www.4manuals.cc>

<http://www.manual-lib.com>

<http://www.404manual.com>

<http://www.luxmanual.com>

<http://aubethermostatmanual.com>

Golf course search by state

<http://golfingnear.com>

Email search by domain

<http://emailbydomain.com>

Auto manuals search

<http://auto.somanuals.com>

TV manuals search

<http://tv.somanuals.com>