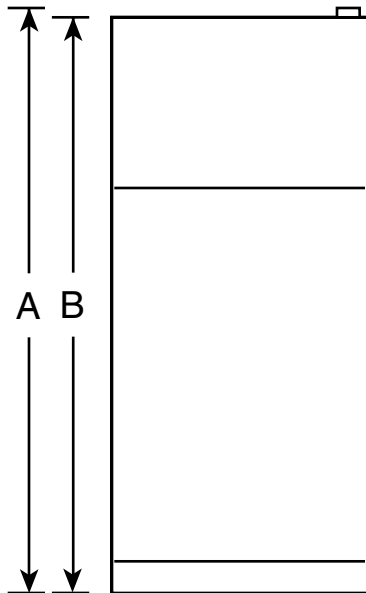


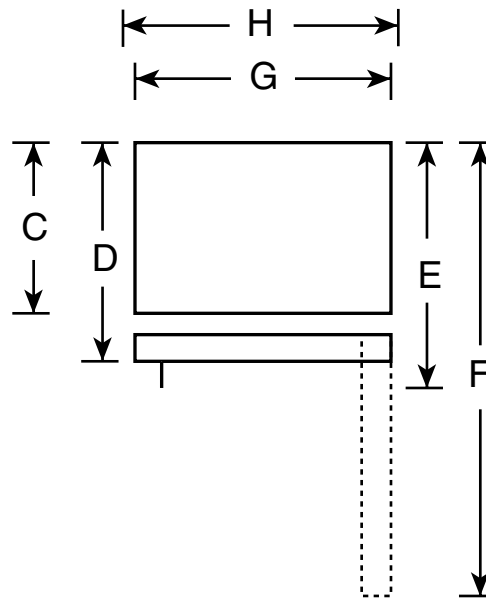
HOTPOINT®

HTS18CBS – Hotpoint® 18.2 Cu. Ft. Top-Freezer Refrigerator

Front View



Top View



| | | |
|--------------------|--|---------------|
| Overall Dimensions | Height to top of hinge (in.) A | 67-3/8 |
| | Height to top of case (in.) B | 66-7/8 |
| | Height to mid-freezer (in.) | 57 |
| | Case depth without door (in.) C | 26-3/4 |
| | Case depth less door handle (in.) D | 30-1/2 |
| | Case depth with door handle (in.) E | 32-3/8 |
| | Depth with fresh food door open 90° (in.) F | 56-3/8 |
| | Width (in.) G | 28 |
| Air Clearances | Width with door open 90° with door handle (in.) H | 30-3/4 |
| | Each side (in.) | 3/4 |
| | Top (in.) | 1 |
| | Back (in.) | 1 |

Note: Before installing, consult installation instructions packed with product for current dimensional data.

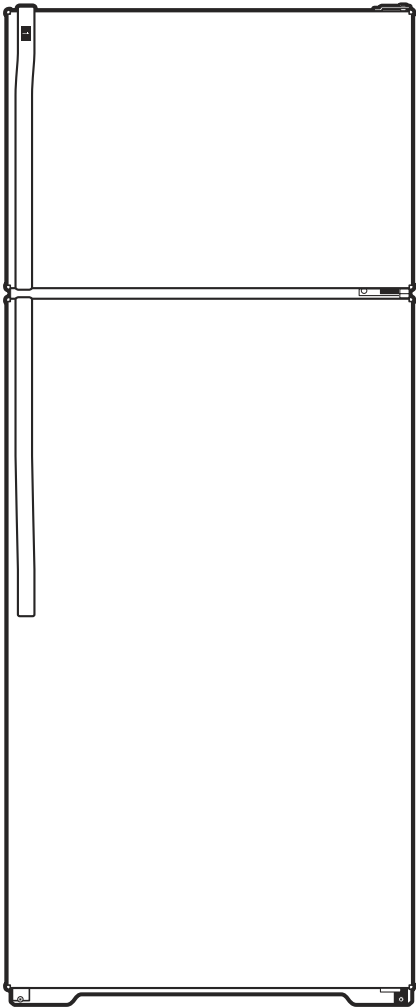
Note: All Top-Freezer No-Frost Right-Hand Refrigerator Doors: As you face the front of the refrigerator, the handle is on your left and the hinges are on your right.

All Top-Freezer No-Frost Left-Hand Refrigerator Doors: As you face the front of the refrigerator, the handle is on your right and the hinges are on your left.



HOTPOINT®

HTS18CBS – Hotpoint® 18.2 Cu. Ft. Top-Freezer Refrigerator



Features and Benefits

- Upfront Temperature Controls - Are positioned up front, close at hand, for maximum convenience and ease of use
- Gallon Door Storage - Makes room for milk and any other gallon size containers
- Can Storage Shelf - Soda can storage shelf conveniently dispenses soft drinks
- Adjustable Wire Shelves - Provide strong support and slide out with ease
- Vegetable/Fruit Crispers - For easy storage of your fruits and vegetables
- NeverClean™ Condenser - Condenser coils are encased, so they don't require cleaning in normal operating environments
- Model HTS18CBSWW – White on white
- Model HTS18CBSCC – Bisque on bisque

Specification Created 1/05
410332

Free Manuals Download Website

<http://myh66.com>

<http://usermanuals.us>

<http://www.somanuals.com>

<http://www.4manuals.cc>

<http://www.manual-lib.com>

<http://www.404manual.com>

<http://www.luxmanual.com>

<http://aubethermostatmanual.com>

Golf course search by state

<http://golfingnear.com>

Email search by domain

<http://emailbydomain.com>

Auto manuals search

<http://auto.somanuals.com>

TV manuals search

<http://tv.somanuals.com>