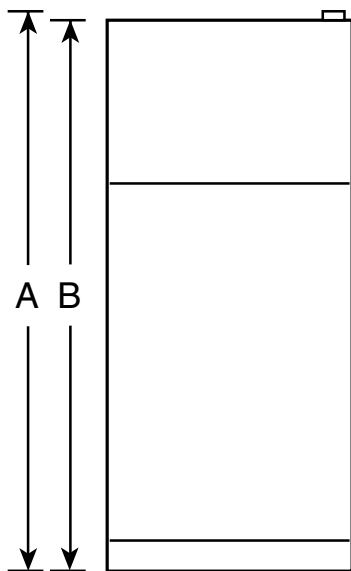


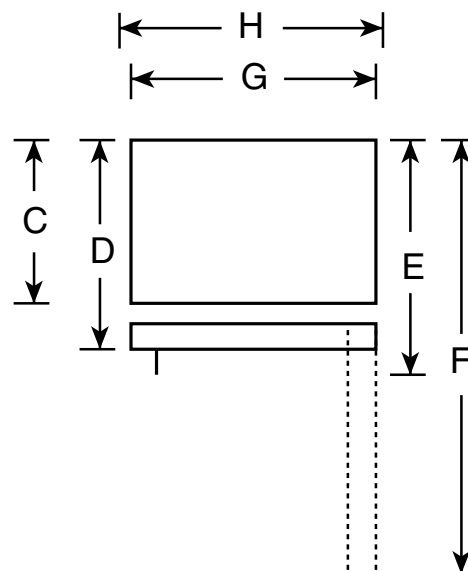
HOTPOINT®

HTS18BBP – Hotpoint 18.0 Cu. Ft. Top-Freezer Refrigerator

Front View



Top View



Overall Dimensions	Height to top of hinge (in.) A	66-5/8
	Height to top of case (in.) B	66-1/8
	Case depth without door (in.) C	27-1/2
	Case depth less door handle (in.) D	30-1/4
	Case depth with door handle (in.) E	32-1/8
	Depth with fresh food door open 90° (in.) F	58-1/8
	Width (in.) G	29-1/2
	Width with door open 90° with door handle (in.) H	32
Air Clearances	Each side (in.)	1/8
	Top (in.)	1
	Back (in.)	1

Note: Before installing, consult installation instructions packed with product for current dimensional data.

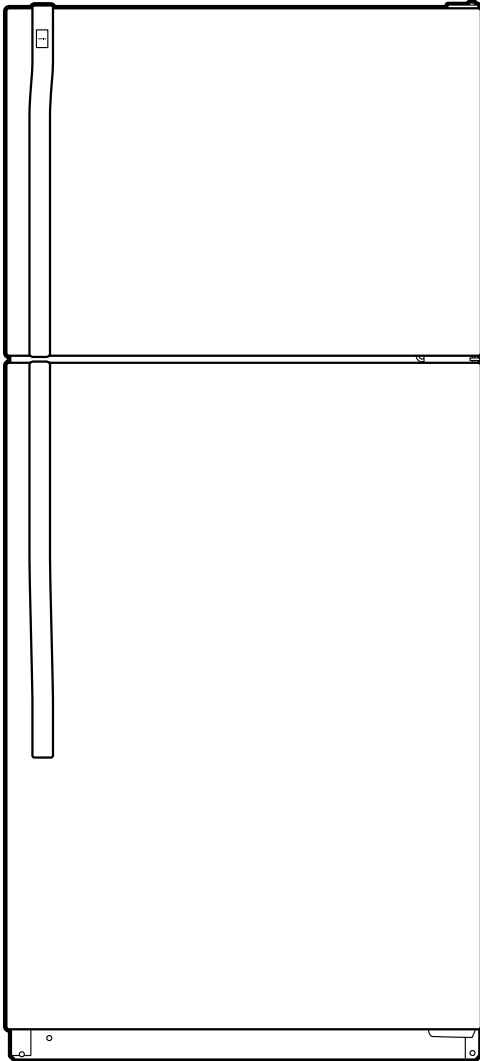
Note: All Top-Freezer No-Frost Right-Hand Refrigerator Doors: As you face the front of the refrigerator, the handle is on your left and the hinges are on your right.

All Top-Freezer No-Frost Left-Hand Refrigerator Doors: As you face the front of the refrigerator, the handle is on your right and the hinges are on your left.



HOTPOINT®

HTS18BBP – Hotpoint 18.0 Cu. Ft. Top-Freezer Refrigerator



Features and Benefits

- Upfront Temperature Controls – Are positioned up front, close at hand, for maximum convenience and ease of use.
- Vegetable/Fruit Crisper – Provides the ideal storage environment for your fruits and vegetables.
- Gallon Door Storage – Makes room for milk and any other gallon size containers.
- Contoured Doors – Create a high-fashion look with gently rounded doors and edges.
- Deluxe Quiet Design – Significantly reduces operating noise.
- NeverClean™ Condenser – condenser coils are encased, so they don't require cleaning in normal operating environments.
- Model HTS18BBPWW – White on white
- Model HTS18BBPCC – Bisque on bisque



Free Manuals Download Website

<http://myh66.com>

<http://usermanuals.us>

<http://www.somanuals.com>

<http://www.4manuals.cc>

<http://www.manual-lib.com>

<http://www.404manual.com>

<http://www.luxmanual.com>

<http://aubethermostatmanual.com>

Golf course search by state

<http://golfingnear.com>

Email search by domain

<http://emailbydomain.com>

Auto manuals search

<http://auto.somanuals.com>

TV manuals search

<http://tv.somanuals.com>