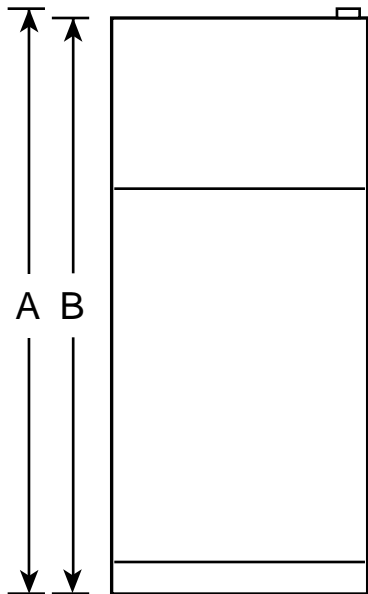


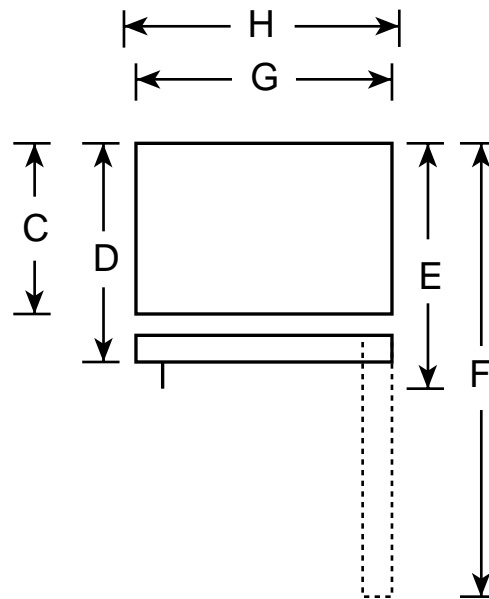
HOTPOINT

HTS18BCM—Hotpoint 17.92 Cu. Ft. Top-Freezer Refrigerator with Icemaker

Front View



Top View



Overall Dimensions	Height with hinge (in.) A	66-5/8
	Height without hinge (in.) B	66-1/8
	Depth without Doors (in.) C	27-1/2
	Depth with Doors (in.) D	30-1/4
	Depth plus Handle with Doors Closed (in.) E	32-1/8
	Depth with Doors open 90° (in.) F	58-1/8
	Width with Doors Closed (in.) G	29-1/2
	Width with Doors open 90° Less Door Handles (in.) H	30
Air Clearances	Each side (in.)	1/8
	Top (in.)	1
	Back (in.)	1

Note: Before installing, consult installation instructions packed with product for current dimensional data.

Specification Revised 3/01



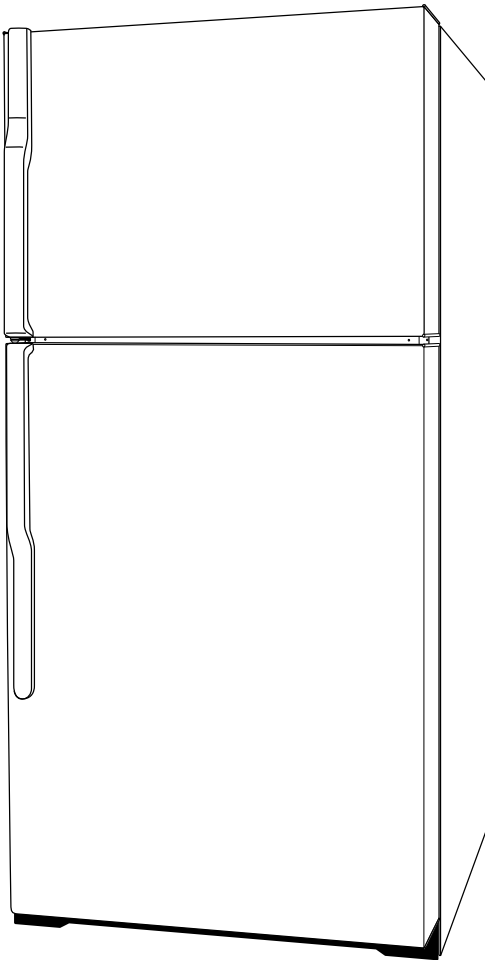
Total volume and shelf area are calculated by the Association of Home Appliance Manufacturers' standards.



Listed by Underwriters Laboratories

HOTPOINT

HTS18BCM—Hotpoint 17.92 Cu. Ft. Top-Freezer Refrigerator with Icemaker



Features and Benefits

- 17.92 cu. ft. Capacity (Fresh Food 12.89 cu. ft. / Freezer 5.03 cu. ft.)
- Equipped with Factory-Installed Automatic Icemaker
- 2 Full-Width Vegetable/Fruit Crispers
- 2 Adjustable Full-Width Wire Everwhite Fresh Food Cabinet Shelves
- 3 Fixed Fresh Food Door Shelves (2 with Gallon Storage)
- Dairy Compartment
- 1 Adjustable Full-Width Wire Everwhite Freezer Compartment Shelf
- Spill Proof Freezer Floor
- Ice Storage Bin
- 2 Fixed Freezer Door Shelves
- Deluxe Quiet Design
- Color-Matched Door Handles
- Model HTS18BCMWW—White on white

Specification Revised 3/01

Free Manuals Download Website

<http://myh66.com>

<http://usermanuals.us>

<http://www.somanuals.com>

<http://www.4manuals.cc>

<http://www.manual-lib.com>

<http://www.404manual.com>

<http://www.luxmanual.com>

<http://aubethermostatmanual.com>

Golf course search by state

<http://golfingnear.com>

Email search by domain

<http://emailbydomain.com>

Auto manuals search

<http://auto.somanuals.com>

TV manuals search

<http://tv.somanuals.com>