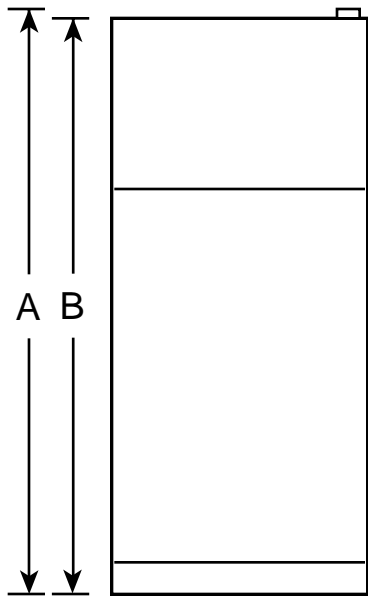


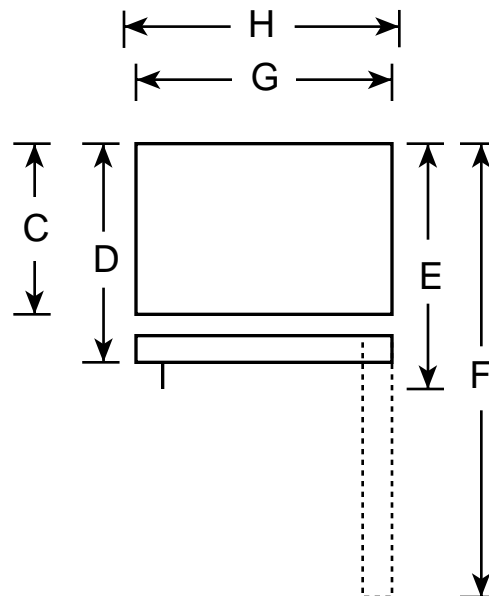
HOTPOINT®

HTS18ICP – Hotpoint 17.9 Cu. Ft. Top-Freezer Refrigerator with Icemaker

Front View



Top View



Overall Dimensions	Height to top of hinge (in.) A	66-5/8
	Height to top of case (in.) B	66-1/8
	Height to mid-freezer (in.)	57
	Case depth without door (in.) C	27-1/2
	Case depth less door handle (in.) D	30-1/4
	Case depth with door handle (in.) E	32-1/8
	Depth with fresh food door open 90° (in.) F	58-1/8
	Width (in.) G	29-1/2
	Width with door open 90° with door handle (in.) H	32
Air Clearances	Each side (in.)	1/8
	Top (in.)	1
	Back (in.)	1

Note: Before installing, consult installation instructions packed with product for current dimensional data.

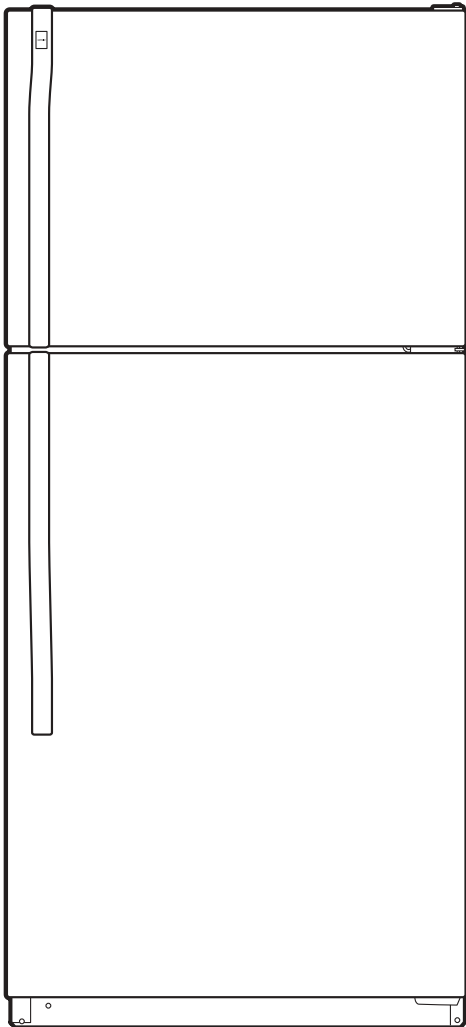
Note: All Top-Freezer No-Frost Right-Hand Refrigerator Doors: As you face the front of the refrigerator, the handle is on your left and the hinges are on your right.

All Top-Freezer No-Frost Left-Hand Refrigerator Doors: As you face the front of the refrigerator, the handle is on your right and the hinges are on your left.





HTS18ICP – Hotpoint 17.9 Cu. Ft. Top-Freezer Refrigerator with Icemaker



Features and Benefits

- Illuminated Upfront Slimline Temperature Controls – Offer maximum style and convenience
- Adjustable Glass Shelves – Lets consumers maximize usable storage space
- Vegetable/Fruit Crispers – Provide easy storage for your fruits and vegetables
- Factory-Installed Icemaker – Makes ice automatically, ensuring a ready supply
- Gallon Door Storage – Makes room for milk and any other gallon size containers
- Contoured Doors – Create a high-fashion look with gently rounded doors and edges
- Deluxe Quiet Design – Significantly reduces operating noise
- NeverClean™ Condenser – Condenser coils are encased, so they don't require cleaning in normal operating environments
- Model HTS18ICPWW – White on white
- Model HTS18ICPCC – Bisque on bisque

Free Manuals Download Website

<http://myh66.com>

<http://usermanuals.us>

<http://www.somanuals.com>

<http://www.4manuals.cc>

<http://www.manual-lib.com>

<http://www.404manual.com>

<http://www.luxmanual.com>

<http://aubethermostatmanual.com>

Golf course search by state

<http://golfingnear.com>

Email search by domain

<http://emailbydomain.com>

Auto manuals search

<http://auto.somanuals.com>

TV manuals search

<http://tv.somanuals.com>