

HHP7.5CM
HHP6.5CM
HHP9.5CM
HHP6.5CM(WH)
HHP6.5CM(BK)

GB

English

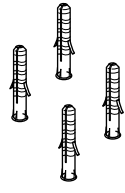
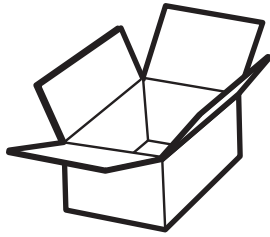
Operating Instructions

COOKER HOOD

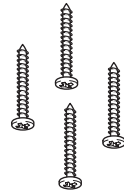
Contents

Operating Instructions,1
Warnings,7
Installation,9
PYRAMID controls,10
Maintenance and care,11
Troubleshooting,12
After Sales Service,14
Guarantee,15

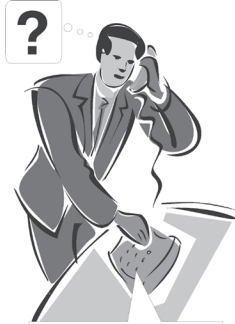
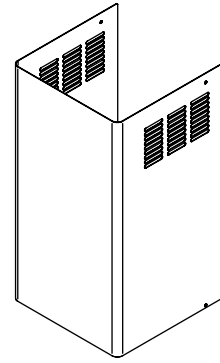
 **Hotpoint**



6x Ø 8 x 40



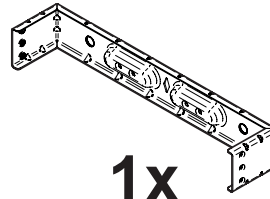
6x Ø 5 x 45



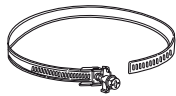
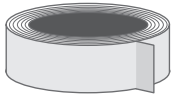
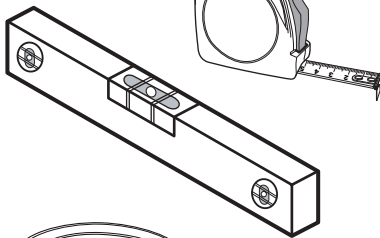
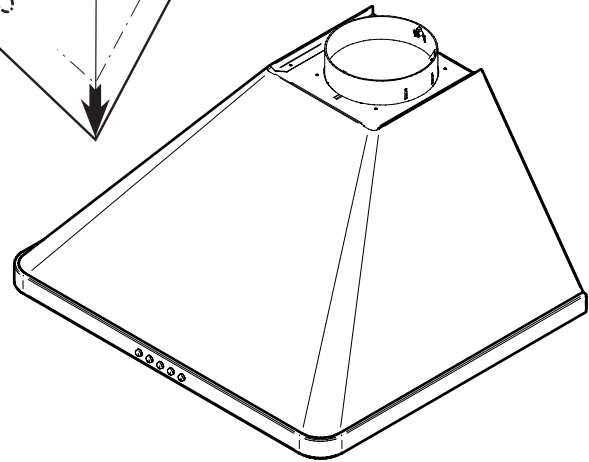
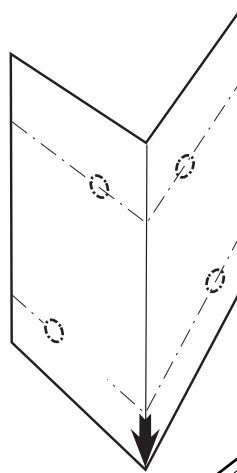
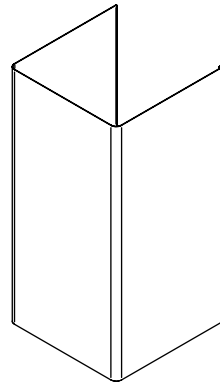
After Sales Service



4x Ø 3,5 x 9,5



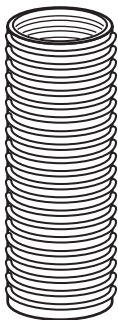
1x



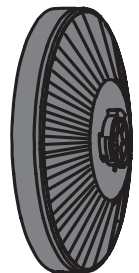
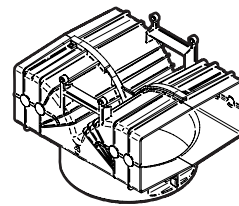
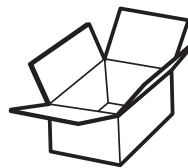
2x

Ø 150-125mm Ø 150mm

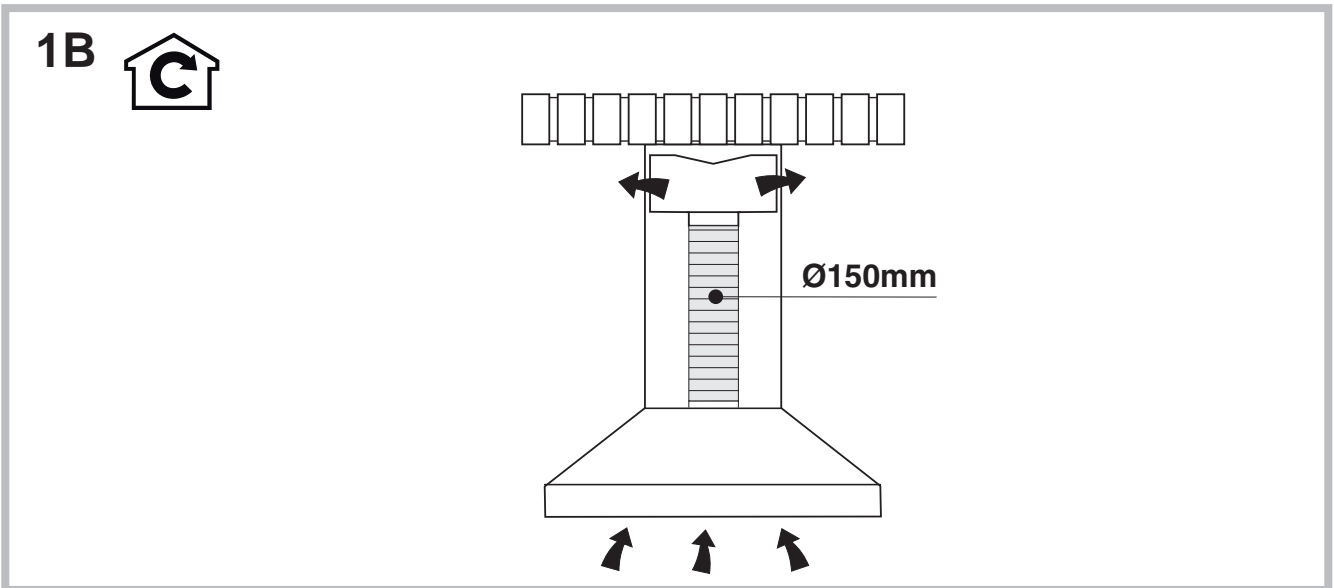
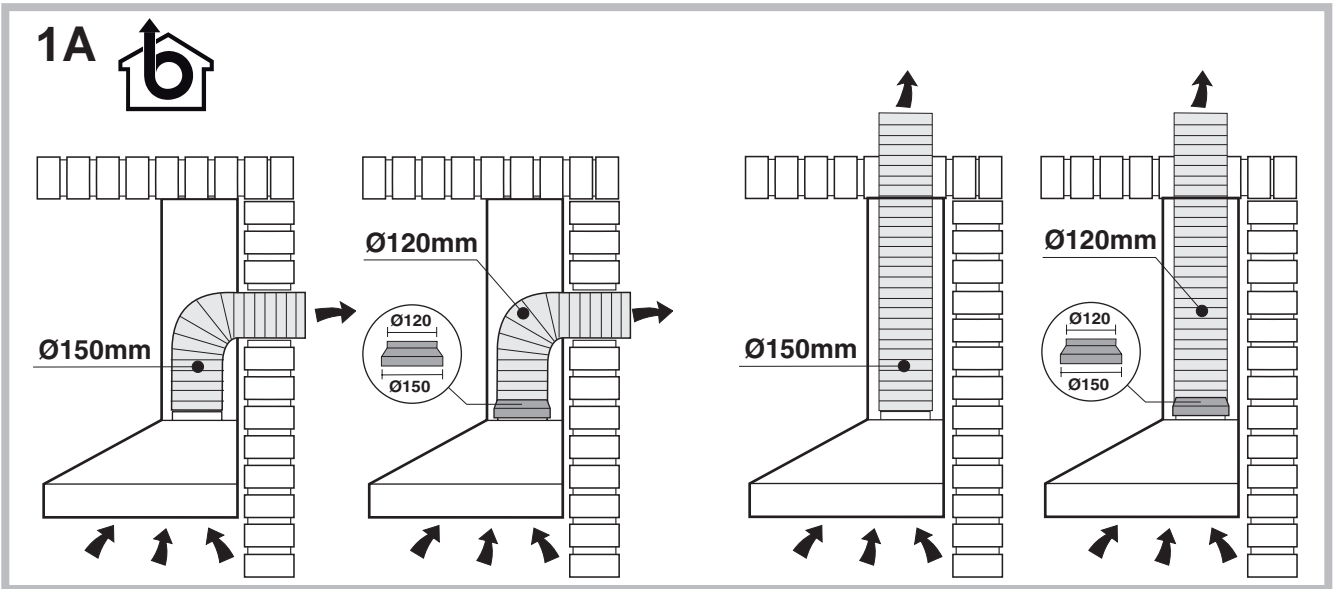
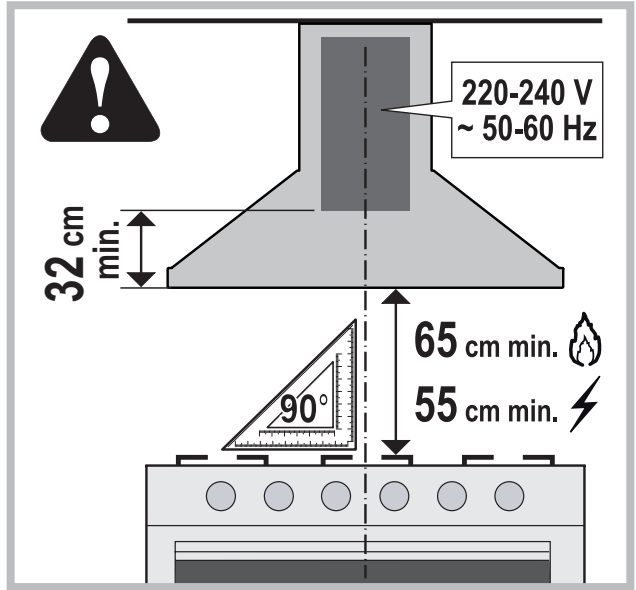
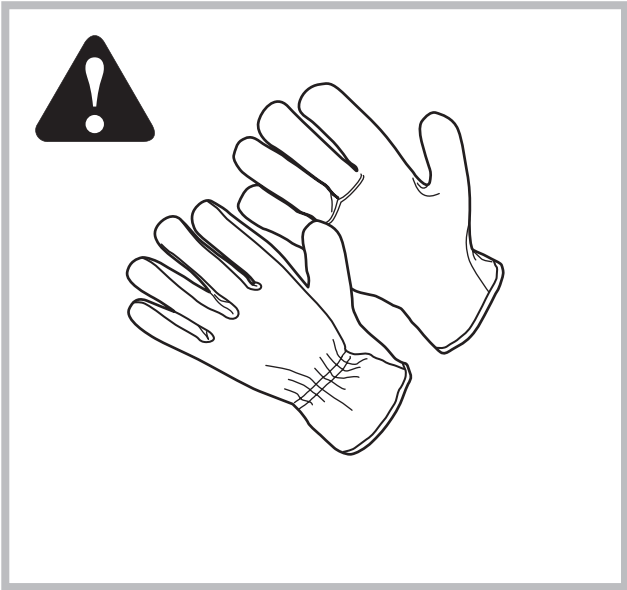
1x

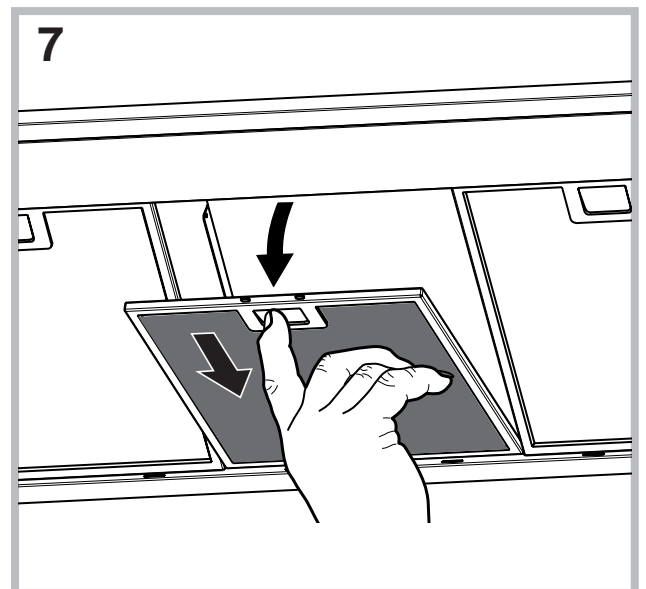
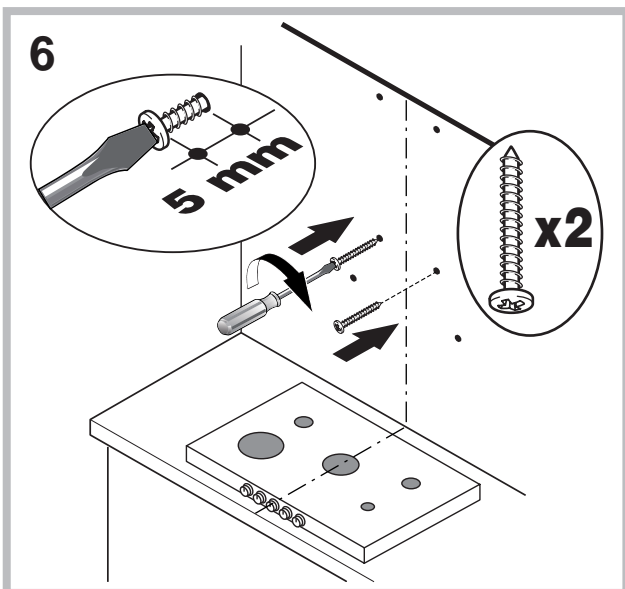
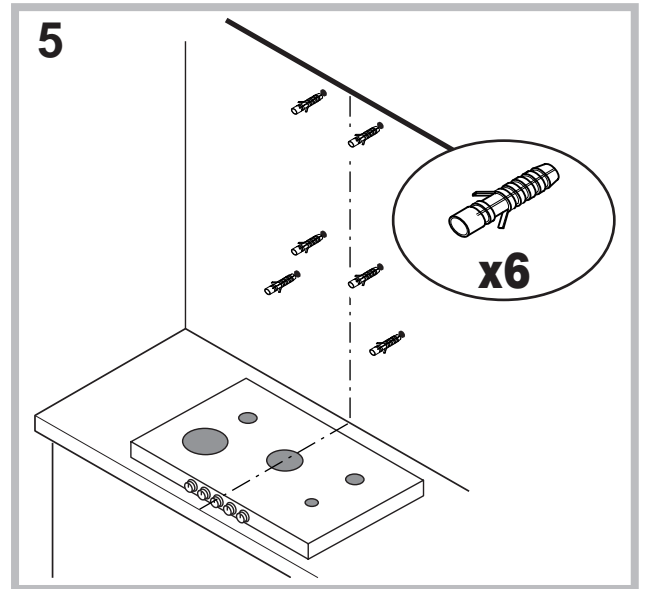
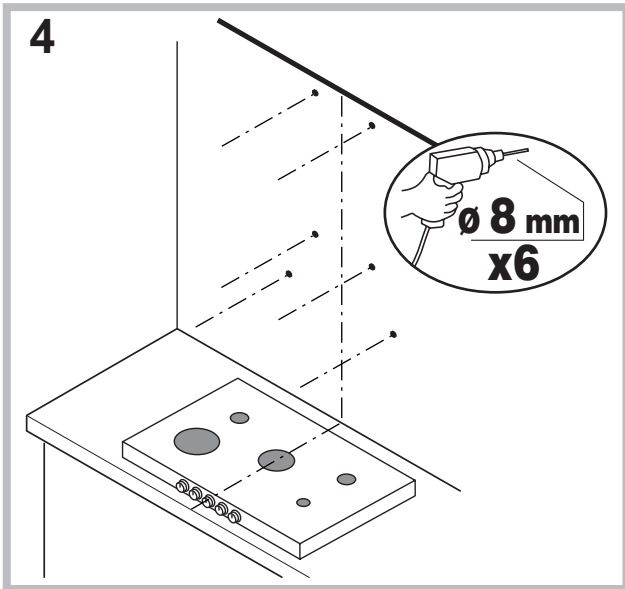
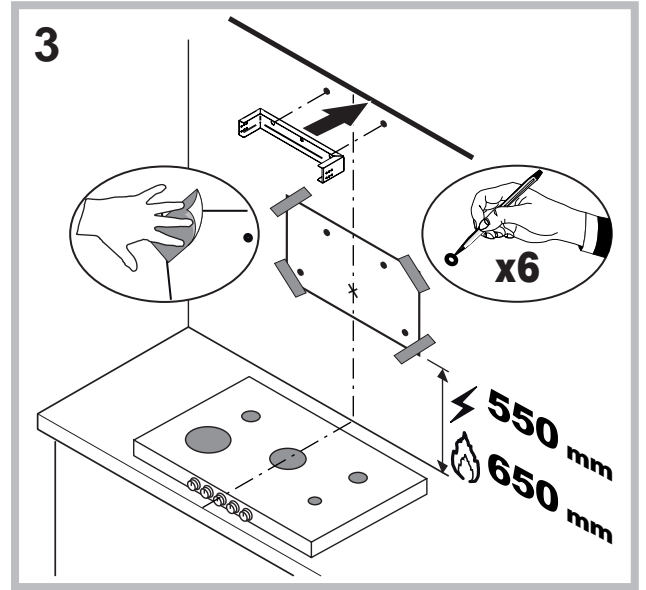
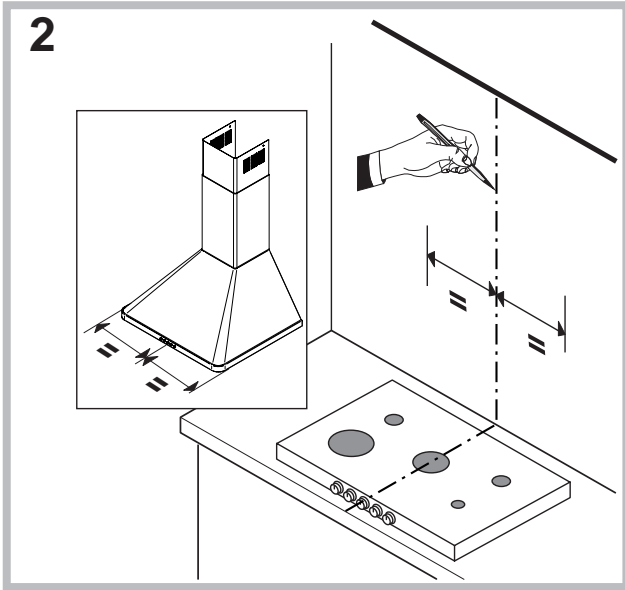


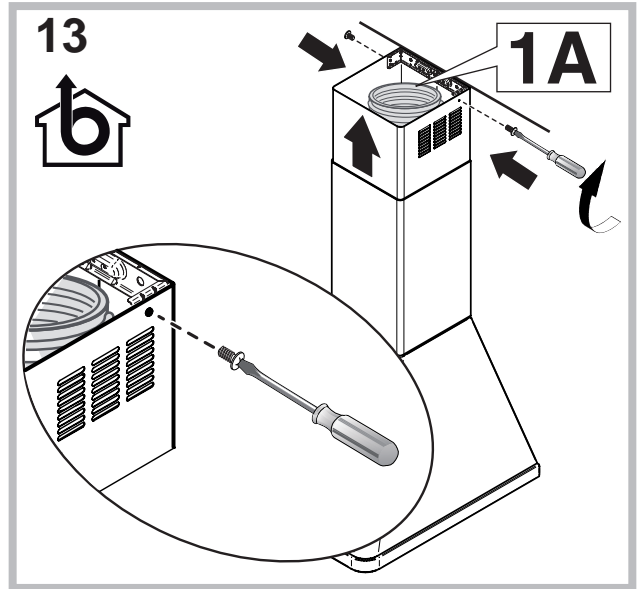
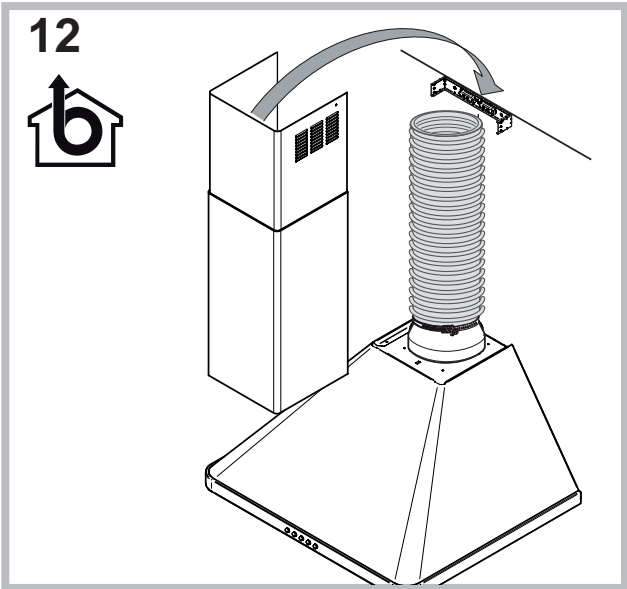
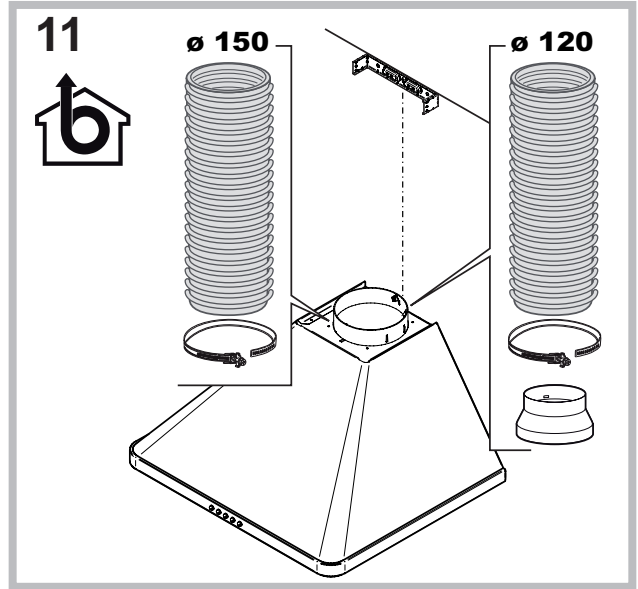
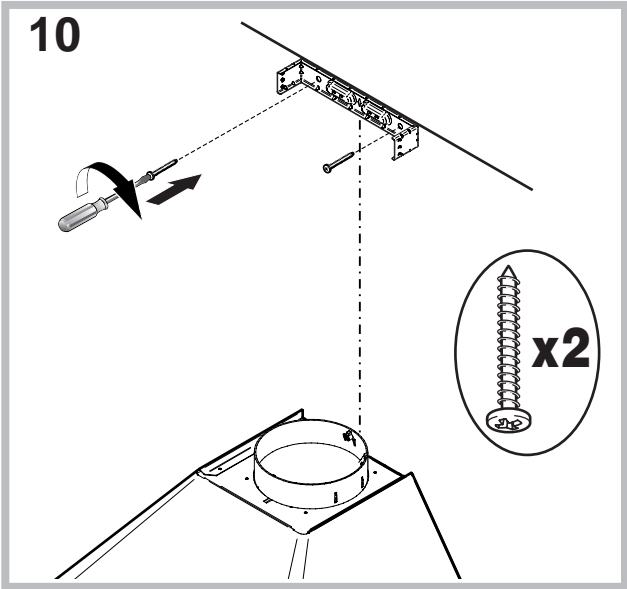
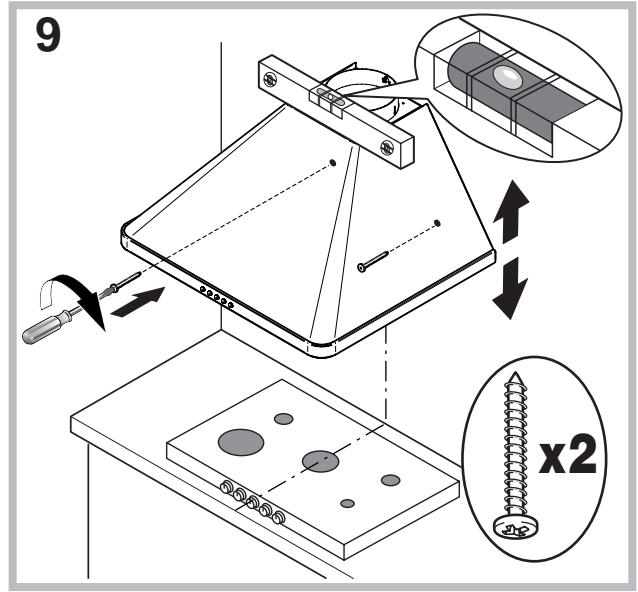
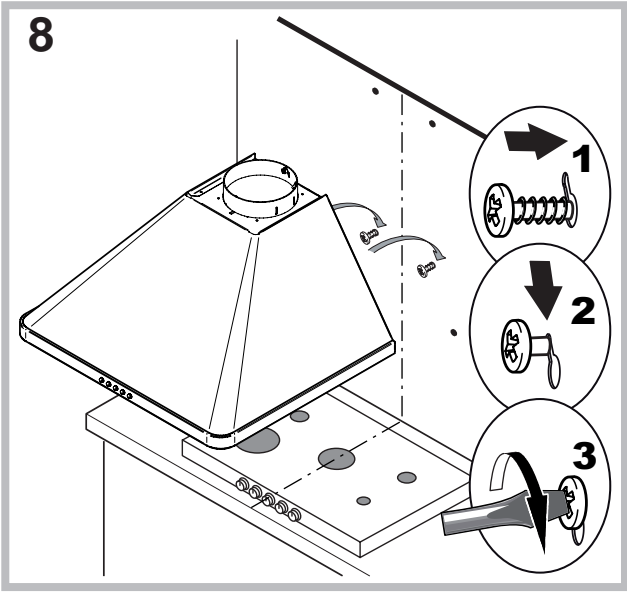
1x

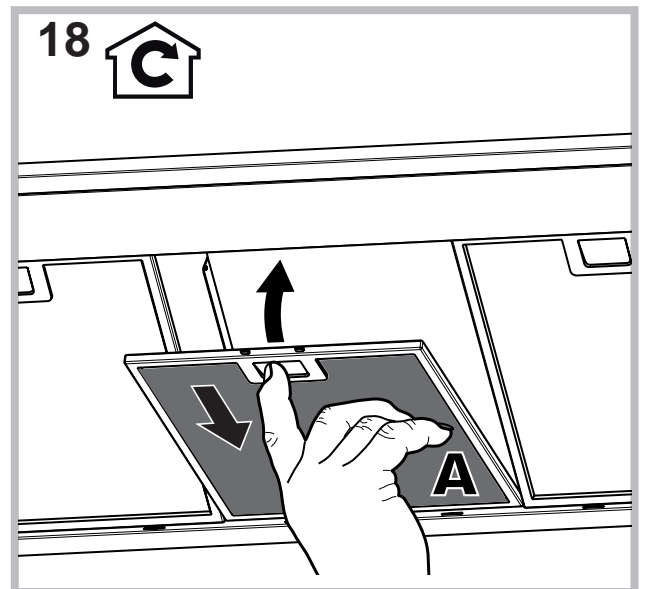
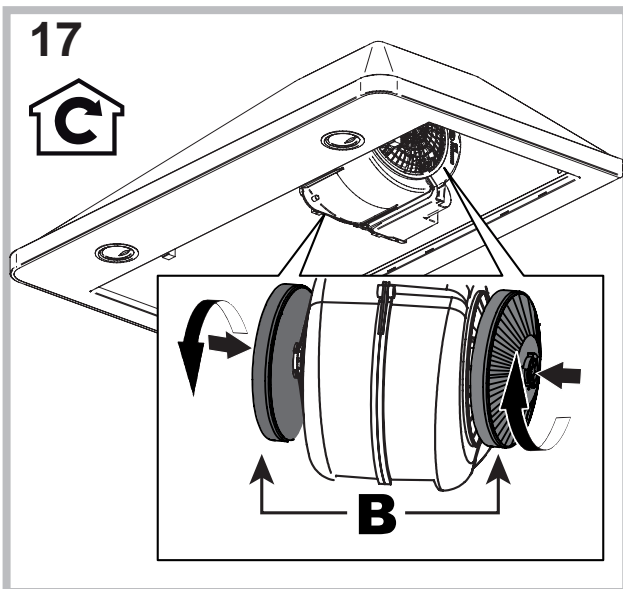
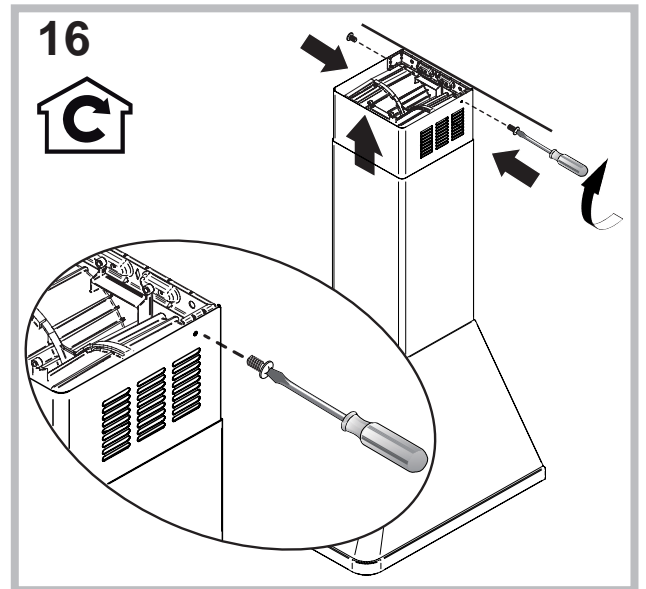
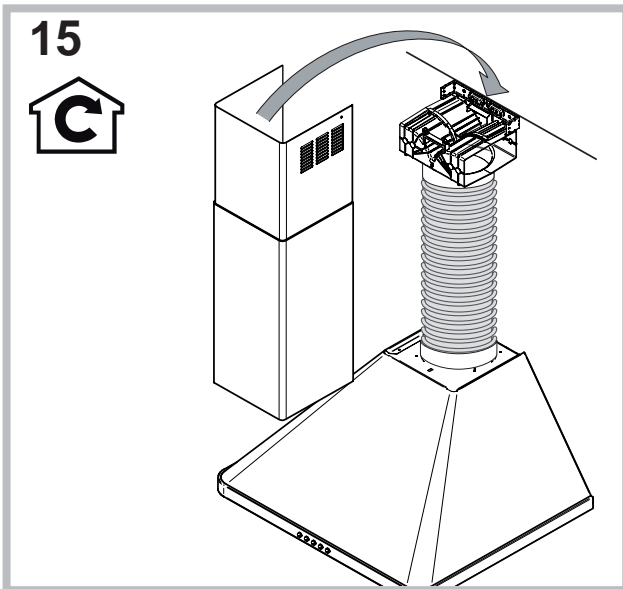
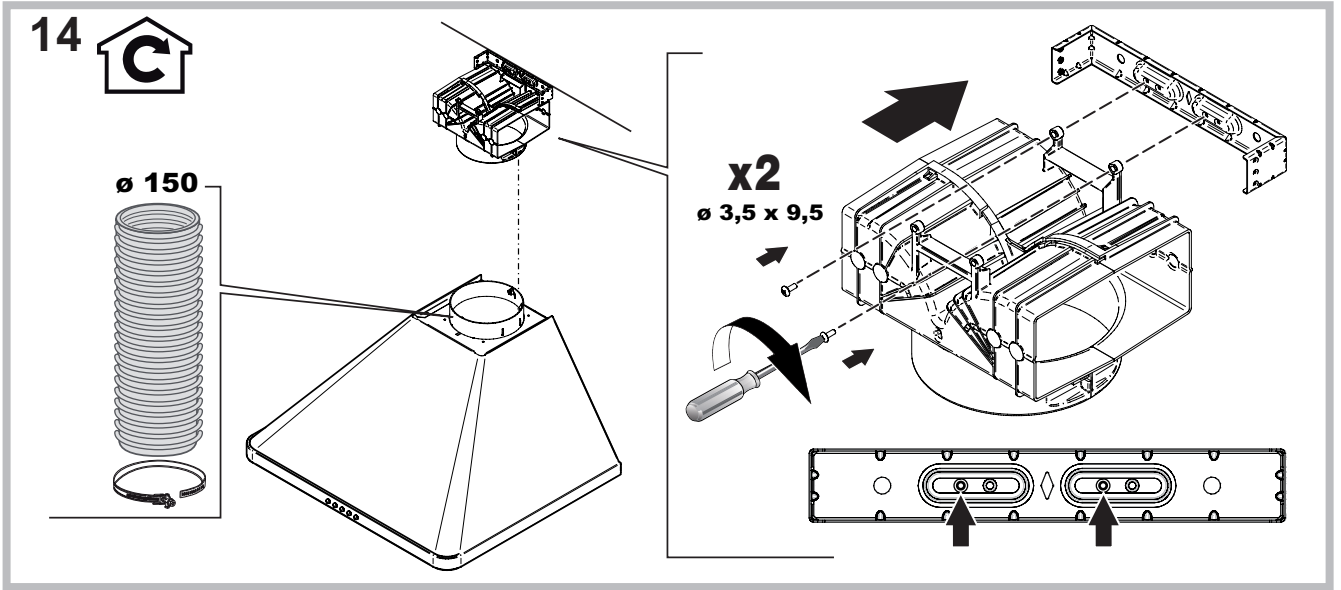


2x









Warnings

! Keep this manual for reference. If you sell, transfer or move the unit to another location, make sure to keep the manual with the product.

! Read the instructions carefully - they contain important installation, user and safety information.

! Do not tamper with the electrical or mechanical equipment of the product or its exhaust ducts.

General safety information

- The distance between the cookware support surface on top of the cooking appliance and the lowest part of the cooker hood must be at least:

65 cm if the hood is installed over a gas cooktop

55 cm if the hood is installed over an electric cooktop.

If the installation instruction manual for the gas cooking appliance specifies a greater distance, this measurement should be taken into account.

- The cooker hood comes with anchor plugs which are suitable for use with most walls/ceilings. However, you must contact a qualified technician to check the suitability of the materials in relation to the type of wall/ceiling, which must be strong enough to support the weight of the unit.
- Caution! Do not hook the unit up to its electrical power supply until the installation has been completed.

- Before cleaning or servicing the unit, disconnect it from the mains by pulling the power plug or disconnecting the main circuit breaker.
- Always wear work gloves when installing and servicing the unit.
- It is not intended for use by children or persons with sensory or mental disability and lack of experience or familiarity, except under the supervision or instruction of a person responsible for their safety.
- Make sure children do not play with the unit.
- Never operate the unit without its grease filter installed!
- NEVER use the hood as a support, unless expressly instructed to do so.
- The room must be adequately ventilated if the hood is used at the same time with other equipment burning gas or other fuels.
- Extracted air must not be conveyed into a duct used for exhausting combustion fumes from gas or other fuel-fired equipment.
- Observe all regulations in relation to air extraction.
- NEVER cook food with an open flame under the hood; open flames will damage the filters and may cause fires. Never do this.
- Always supervise frying to make sure the heated oil does not catch fire.

-
- Strictly observe all local regulations in relation to the technical and safety measures to be employed in fumes extraction.
 - Clean the product frequently, inside and out (AT LEAST ONCE A MONTH, and in observance of the maintenance instruction given in this manual).
 - Failure to observe the hood cleaning and filter cleaning/replacement instructions can result in fires.
 - Never use the hood without its bulbs properly installed - electrocution hazard.
 - The manufacturer is not liable for any inconvenience, damage or fire caused by the unit as a result of failure to observe the instructions given in this manual.
 - Caution! The unit's accessible parts can get very hot when used with cooking equipment.

Installation

The installation procedure is illustrated in the first pages of this manual.

The installation must be done by a qualified technician.

Electrical hook up

The mains voltage must match that given on the ratings label inside the hood itself. If the hood has a power plug, connect the hood to an easily accessible regulatory power socket. If it does not (direct connection to the mains), or the socket is not easily accessible, install a two-pole regulatory switch to enable total disconnection from the mains in case of category III overvoltage, as required by the installation regulations.

Caution! Always check that the mains cable is hooked up properly and check that it operates correctly before reconnecting the hood to the mains.

Air exhaust (for ducted units)

Connect the hood to a duct and wall exhaust hole of a diameter equal to that of the air outlet flange. Using a smaller diameter tube and exhaust hole reduces the extraction capacity of the hood and also increases its running noise. The manufacturer is not liable for any consequences of doing so.

! Use the shortest duct required to achieve the purpose.

! Use a duct with as few bends as possible

! Avoid suddenly changing the diameter of the duct.

! The duct must have as smooth an inner surface as possible.

! The duct must be made of regulatory material.

! Do not connect the hood to flues carrying combustion fumes from other equipment (boilers, chimneys, stoves, etc.).

! Observe the instructions of the competent authorities in relation to the air exhaust. The air being exhausted may not be exhausted into a wall cavity unless the cavity in question is specifically intended for this purpose.

! Equip the room with air intakes to prevent the hood creating suction pressure in the interior (this must not exceed 0.04 mbar).

! The manufacturer is not liable for any consequences of failure to observe these instructions.

Filter or ducted?

! Your hood is supplied as a ducted unit.

If you wish to use it as a filter unit, you must install the proper ACCESSORY KIT.

Note: If supplied with the hood, the accessory active charcoal filter unit may already be installed.

Instructions for transforming the hood from the ducted to the filter version are given in this manual (see "Filter version").

Ducted version

The hood purifies the air and expels it outdoors via an exhaust duct (dia. 150mm) connected to its outlet flange. The diameter of the exhaust tube must be equal to that of the outlet flange.

Caution! The exhaust duct is not supplied and must be purchased separately.

When routed horizontally, the tube must be angled slightly upwards (around 10°) to enable the air to be conveyed outdoors more easily. If the hood is fitted with charcoal filters, they must first be removed.

Filter version

The hood purifies the air and returns it to the room. This version of the hood requires installation of an accessory active charcoal filter unit.

This version requires an air deflector, a reduction adapter and the charcoal filter/s. The top tube must have its air outlet slots uppermost.

Technical data

Model	Height (cm)	Width (cm)	Depth (cm)	dia. of exhaust tube (cm)
PYRAMID 60cm	61-82	59.8	50	15/12
PYRAMID 70cm	61-82	69.8	50	15/12
PYRAMID 90cm	61-82	89.9	50	15/12

Model code	Bulb (V)	Bulb draw (W)	Total draw (W)
HHP7.5CM	Halogen	2 x 25	160

Model code	Bulb (V)	Bulb draw (W)	Total draw (W)
HHP6.5CM HHP6.5CM(WH) HHP6.5CM(BK)	Halogen	2 x 25	160

Model code	Bulb (V)	Bulb draw (W)	Total draw (W)
HHP9.5CM	Halogen	2 x 25	160

	Power	Voltage	Cap	Dimensions
Halogen 25 W	2 x 25 W	230 V	G9	L40xØ14
Halogen 20 W	2 x 20 W	12 V	G4	L30xØ10

LED *	Risk Group 1 according to Standard EN 62471
--------------	---

	The hoods are conforming to the following EC Directives:
	<ul style="list-style-type: none"> • "Low voltage" Directive 2006/95/EC (12-12-2006) • "EMC" Directive 2004/108/EC (15-12-2004)

* Only available in certain models

PYRAMID controls

Models with mechanical keypad

HHP7.5CM
HHP6.5CM
HHP9.5CM
HHC6.7AM(WH)
HHC6.7AM(BK)



T1 Motor reset

Pressing the button while the hood is in operation turns it OFF.

T2 Speed 1

Pressing the button sets the hood to speed 1.

T3 Speed 2

Pressing the button sets the hood to speed 2.

T4 Speed 3

Pressing the button sets the hood to speed 3.

T5 Lights ON/OFF

Models with soft button keypad

(Only available in certain models)



T1 Motor reset

Pressing the button while the hood is in operation turns it OFF.

T2 Speed 1

Pressing the button sets the hood to speed 1.

T3 Speed 2

Pressing the button sets the hood to speed 2.

T4 Speed 3

Pressing the button sets the hood to speed 3.

T5 Booster

Pressing the button sets the hood to high speed. After 5 minutes, the hood returns to the previous speed; pressing a speed button (T2, T3 or T4) quits booster mode and sets the selected speed.

T6 Lights ON/OFF

Grease/odour filter warnings

The T2 icon flashes to indicate that the grease filter is saturated, while T3 flashes to indicate that the odour filter is saturated, and if both are flashing then both filters are saturated. You must then clean/replace the grease filter (A) or odour filter (B) or both, accordingly (see "Maintenance and care").

To reset the filter counter:

Hold down T4 for three seconds while the hood is on.

The warning led flashes three times, then returns to its normal mode. If both filter warnings are active at the same time, you must reset each separately.

The first sequence resets the grease filter, while the second sequence resets the odour filter.

Hood configuration:

To set the operating mode of the hood, hold down T5 for 6 seconds while the product is off. Icons T2 or T3 will light up to show the type of installation: T2 ventilation, T3 filtering. You can change the type of installation by pressing T4 cyclically.

To save the new configuration press T1 individually.

Models with soft button keypad and display

(Only available in certain models)



1 Motor ON/OFF

Press the button with the hood off to set speed 1. Pressing the button while the hood is in operation turns it OFF.

T2 Speed -

Pressing the button returns the hood to the previous speed.

T3 Speed +

Pressing the button returns the hood to the next speed. If the hood is off, pressing these buttons sets speed 1.

T4 Booster

Pressing this button sets the hood to high speed; the letter "b" flashes slowly on the display. After 5 minutes, the hood returns to its previous speed; this can also be done while booster mode is on by pressing either speed button (T2 or T3).

T5 Timer

Pressing this button delays the hood turning off automatically by 5 minutes. The timer counts down on the display in minutes. The timer can only be set for manual speeds, not for booster mode.

T6 Lights ON/OFF

Grease/odour filter warnings



The bar at the top left flashes to indicate that the grease filter is saturated.



The bar at the top right flashes to indicate that the odour filter is saturated.



If both bars are flashing, then both filters are saturated.

You must then clean/replace the grease filter (A) or odour filter (B) or both, accordingly (see "Maintenance and care"). The latter only applies to the filter version.

To reset the filter counter:

Hold down **T4** for three seconds while the hood is on. If both filter warnings are active at the same time, you must reset each separately. The first sequence resets the grease filter, while the second sequence resets the odour filter.

Configuring the hood

To set the operating mode of the hood, hold down **T4** for 6 seconds while the product is off. After a long beep, the type of installation displays:



Ducted
(square at bottom left flashing).



Filter
(square at bottom right flashing).

You can change the type of installation by pressing **T4**. To quit configuration mode, press **T1** once; this switches the unit off and saves the last displayed setting.

Maintenance and care

Caution! Before cleaning or servicing the unit, disconnect it from the mains by pulling the power plug or disconnecting the main circuit breaker.

First cleaning

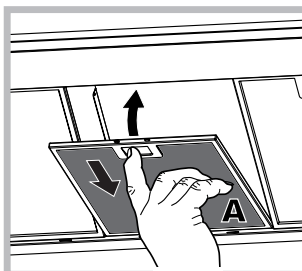
- Remove the protective film
- Clean with a damp sponge and a little neutral soap
- Rinse off with a damp cloth
- Dry with a soft cloth; if the hood is stainless steel, dry along the metal's grain

Periodic cleaning

The hood must be cleaned frequently (at least as often as you service the grease filter), inside and out. Use a damp cloth and a neutral liquid detergent with lukewarm water. Do not use abrasive or corrosive products.

Warning: Failure to observe the hood cleaning and filter cleaning/replacement instructions can result in fires. Follow the instructions carefully. The manufacturer is not liable for any damage to the motor or fires caused by incorrect care or failure to follow the above instructions.

Servicing the grease filter (A)

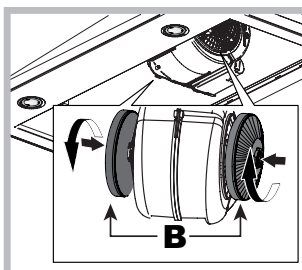


The grease filter retains the particles of grease produced during cooking; it must be cleaned at least once a month with a non-aggressive detergent, either by hand or with a low temperature, short dishwasher cycle.

To extract the grease filter, pull the spring loaded handle.

If washed in a dishwasher, the metal filter may change colour, but this does not affect its performance.

Servicing the charcoal filter (B)



The charcoal filter retains unpleasant cooking odours. The filter saturates after a variable time, depending on the type of cooking and how often the grease filter is cleaned. The cartridge must be replaced at least once every twenty months. This filter can NOT be washed

or regenerated

Disassembly: Rotate the filter 90° to remove it from the suction assembly.

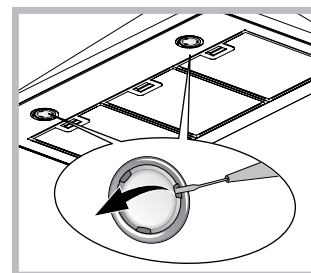
Assembly: Fit the active-carbon filter into the suction assembly and rotate it 90° to secure it in place.

Replacing the bulbs

Disconnect the unit from the mains and remove the grease filter.

Caution! Make sure the bulbs are cool before touching them.

1. Extract the guard by prising it out with a small flat head screwdriver or something similar.
2. Replace the faulty bulb. Use only bulbs of the same type (for details, see the technical data in the following manual).
3. Refit the guard (push it in).



Replacing the lights LED *

The hood is fitted with a lighting system based on LED technology. The LEDs ensure optimal lighting, longer life and lower consumption compared with traditional lights. To replace them please contact the assistance service.


Electrical cable

If the power cable is damaged, it can be replaced by the manufacturer or his technical service, to prevent any attendant risks.

SCRAPPING

The unit is marked for conformity with European Directive 2012/19/EC, Waste Electrical and Electronic Equipment (WEEE). By ensuring that the unit is scrapped properly, the user contributes to safeguarding the environment and public health.



The  symbol on the product or on its accompanying documents indicates that the product may not be treated as domestic waste but must be handed over to a sorting centre for electrical and electronic waste. Dispose of it in accordance with local waste disposal regulations. For further information on the handling, recovery and recycling of this product, contact the local authority, domestic waste disposal service or the reseller from whom you purchased it

Troubleshooting

If something does not work, make the following simple checks before contacting Technical Service:

If the hood does not operate:

Check that:

- the unit is powered up.
- a speed has been set.

If the hood is not working effectively:

Check that:

- the selected motor speed is sufficient to handle the amount of smoke and steam being produced.
- the kitchen is adequately ventilated for the unit to take air in.
- the charcoal filter is not exhausted (filter version).

If the hood turns off during normal operation:

Check that:

- the unit is powered up.
- the circuit breaker has not tripped.

In case of faulty operation, before contacting Technical service, first disconnect the machine from the mains for at least 5 seconds by pulling its plug, then reconnect it. If the fault persists, contact Technical Service.

* Only available in certain models

After Sales Service

No one is better placed to care for your Hotpoint appliance during the course of its working life than us – the manufacturer.

Essential Contact Information

Hotpoint Service

We are the largest service team in the country offering you access to 400 skilled telephone advisors and 1000 fully qualified engineers on call to ensure you receive fast, reliable, local service.

UK: 08448 224 224
Republic of Ireland: 0818 313 413
www.hotpointservice.co.uk

Please note: Our advisors will require the following information:

Model number:

Serial number:

Parts and Accessories

We supply a full range of genuine replacement parts as well as accessory products that protect and hygienically clean your appliance to keep it looking good and functioning efficiently throughout its life.

UK: 08448 225 225
Republic of Ireland: 0818 313 413
www.hotpointservice.co.uk

Appliance Registration

We want to give you additional benefits of Hotpoint ownership. To activate your free 5 year parts guarantee you must register your appliance with us.

UK: 08448 24 24 24
Republic of Ireland: 01 230 0800
www.hotpointservice.co.uk

Indesit Company UK Ltd. Morley Way, Peterborough, PE2 9JB
Indesit Company Unit 49 Airways Industrial Estate, Dublin 17

Recycling and Disposal Information

As part of Hotpoint's continued commitment to helping the environment, Hotpoint reserves the right to use quality, recycled components to keep down customer costs and minimise material wastage.

Please dispose of packaging and old appliances carefully. To minimise the risk of injury to children, remove the door, plug, and cut the mains cable off flush with the appliance. Dispose of these parts separately to ensure that the appliance can no longer be plugged into mains socket, and the door cannot be locked shut.

Guarantee

12 months Parts and Labour Guarantee

Your appliance has the benefit of our manufacturer's guarantee, which covers the cost of breakdown repairs for twelve months from the date of purchase.

This gives you the reassurance that if, within that time, your appliance is proven to be defective because of either workmanship or materials, we will, at our discretion, either repair or replace the appliance at no cost to you.

This guarantee is subject to the following conditions:

- The appliance has been installed and operated correctly and in accordance with our operating and maintenance instructions.
- The appliance is used only on the electricity or gas supply printed on the rating plate.
- The appliance has been used for normal domestic purposes only.
- The appliance has not been altered, serviced, maintained, dismantled, or otherwise interfered with by any person not authorised by us.
- Any repair work must be undertaken by us or our appointed agent.
- Any parts removed during repair work or any appliance that is replaced become our property.
- The appliance is used in the United Kingdom or Republic of Ireland.

The guarantee does not cover:

- Damage resulting from transportation, improper use, neglect or interference or as a result of improper installation
- Replacement of any consumable item or accessory. These included but not limited to: plugs, cables, batteries, light bulbs, fluorescent tubes and starters, covers and filters.
- Replacement of any removable parts made of glass or plastic.

THIS GUARANTEE WILL NOT APPLY IF THE APPLIANCE HAS BEEN USED IN COMMERCIAL OR NON-DOMESTIC PREMISES.

5 Year Parts Guarantee

Hotpoint also offers you a free 5 year parts guarantee. This additional guarantee is conditional on you registering your appliance with us and the parts being fitted by one of our authorised engineers. There will be a charge for our engineer's time. To activate the extra parts warranty on your appliance, simply call our registration line on **08448 24 24 24 (Republic of Ireland 01 230 0800)**

Extended Guarantees

We offer a selection of protection plans that enable you to fully cover yourself against the expense of repair bills for the life of your policy. To find the ideal plan for you please call our advice line on **08448 226 226 (Republic of Ireland 01 230 0233)**.

Free Helpdesk Service

We have a dedicated team who can provide free advice and assistance with your appliance if you experience any technical difficulties within the first 90 days of ownership. Simply call our Hotpoint Service Hotline on **08448 224 224 (Republic of Ireland 0818 313 413)** for telephone assistance, or, where necessary, to arrange for an engineer to call.

195107497.04

03/2013 - XEROX FABRIANO

GB

PLEASE PHONE US TO REGISTER YOUR APPLIANCE AND ACTIVATE YOUR PARTS GUARANTEE ON 08448 24 24 24

Free Manuals Download Website

<http://myh66.com>

<http://usermanuals.us>

<http://www.somanuals.com>

<http://www.4manuals.cc>

<http://www.manual-lib.com>

<http://www.404manual.com>

<http://www.luxmanual.com>

<http://aubethermostatmanual.com>

Golf course search by state

<http://golfingnear.com>

Email search by domain

<http://emailbydomain.com>

Auto manuals search

<http://auto.somanuals.com>

TV manuals search

<http://tv.somanuals.com>